



US00D817496S

(12) **United States Design Patent** (10) **Patent No.:** **US D817,496 S**
Stirn et al. (45) **Date of Patent:** **** May 8, 2018**

(54) **HEART RATE SENSOR**
(71) Applicant: **Motiv Inc.**, San Francisco, CA (US)
(72) Inventors: **Andrew Stirn**, San Francisco, CA (US); **Curt C. von Badinski**, Valencia, CA (US); **Zachary Joseph Zelif**, Taipei (TW); **Ting-Che Huang**, Taipei (TW)
(73) Assignee: **Motiv Inc.**, San Francisco, CA (US)
(**) Term: **15 Years**
(21) Appl. No.: **29/573,393**
(22) Filed: **Aug. 5, 2016**
(51) **LOC (11) Cl.** **24-01**
(52) **U.S. Cl.**
USPC **D24/167**
(58) **Field of Classification Search**
USPC D10/30-39, 65, 70, 75, 78, 97, 98, 103;
D14/138 R, 203.5, 247, 338-340, 344,
D14/346, 347; D24/165-168, 186, 187,
D24/107, 200; D11/3; D13/173-177
CPC G04B 19/00-19/34; G04B 21/12; G04B
23/12; G04B 37/00-37/228; G04B
47/00-47/068; G01C 17/00; G01C
21/00-21/3697; G01C 22/00-22/025;
G01C 23/00; G06F 19/3481; G06F
3/00-3/027
See application file for complete search history.

D759,826 S * 6/2016 Martinez D24/187
9,582,034 B2 * 2/2017 von Badinski G01P 15/00
D791,764 S * 7/2017 von Badinski D14/344
D801,527 S * 10/2017 Nishiyama D24/166
(Continued)

OTHER PUBLICATIONS

Motiv, posted at mymotiv.com, available Feb. 1, 2017, [online], [site visited Nov. 8, 2017]. Available from Internet, URL: https://web.archive.org/web/*/https://mymotiv.com/motiv-ring.*

Primary Examiner — Anhdao Doan
Assistant Examiner — Mary Malley
(74) *Attorney, Agent, or Firm* — JCIPRNET

(57) **CLAIM**

The ornamental design for a heart rate sensor, as shown and described.

DESCRIPTION

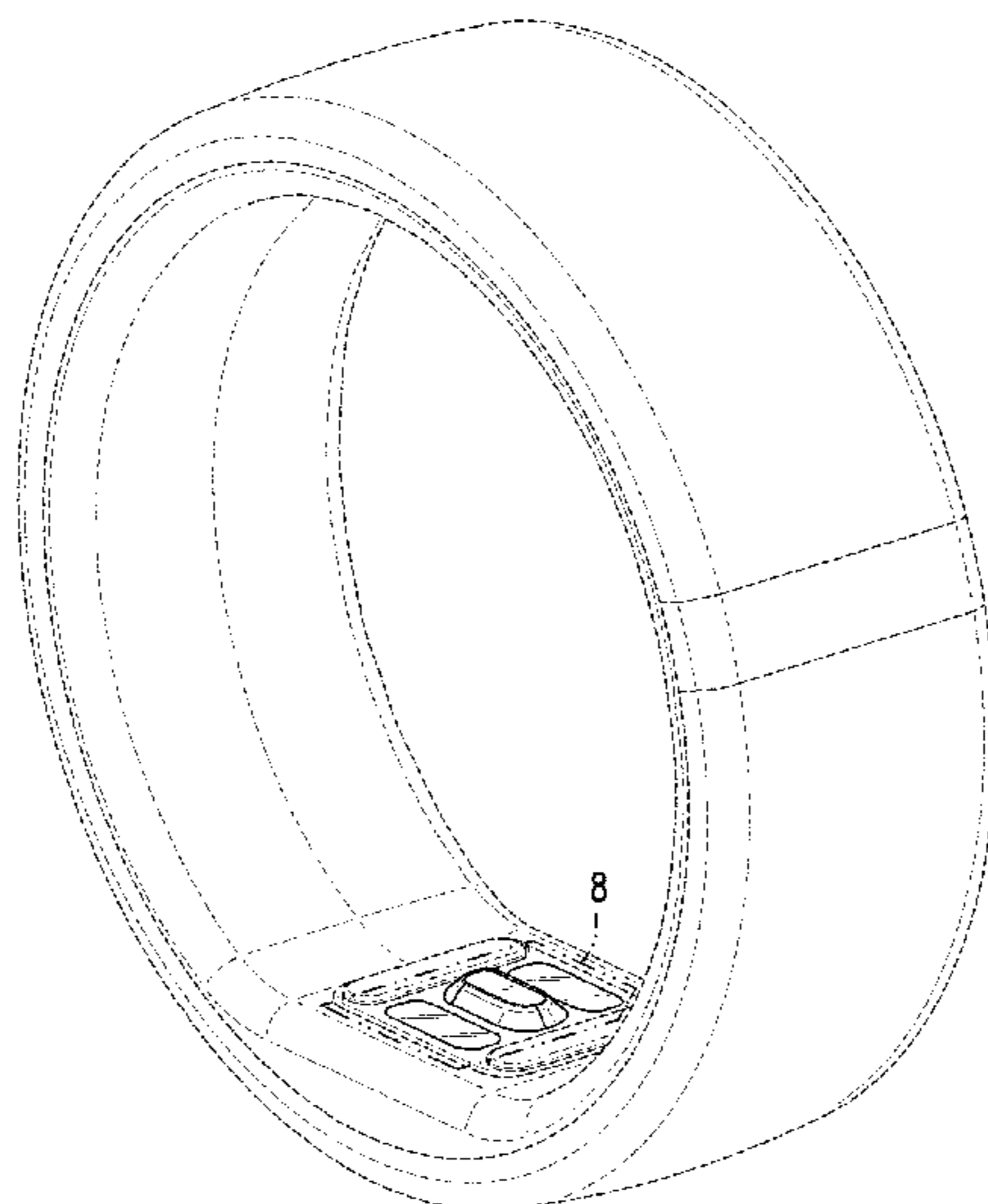
FIG. 1 is a perspective view of a heart rate sensor showing our new design;
FIG. 2 is a front view thereof, the rear view being a mirror image thereof;
FIG. 3 is a left side view thereof;
FIG. 4 is a right side view thereof;
FIG. 5 is a top view thereof;
FIG. 6 is a bottom view thereof;
FIG. 7 is a cross-sectional view taken along line 7-7 in FIG. 2 with the internal parts omitted;
FIG. 8 is an enlarged view of an indicated portion shown in rectangle 8 of FIG. 1; and,
FIG. 9 is an enlarged view of an indicated portion shown in rectangle 9 of FIG. 7.
The dash-dash broken lines show portions of the heart rate sensor that form no part of the claimed design. The dot-dot-dash lines are for the sole purpose of indicating the portions of the figures which are shown enlarged in FIG. 8 and FIG. 9.

1 Claim, 5 Drawing Sheets

(56) **References Cited**

U.S. PATENT DOCUMENTS

D512,926 S * 12/2005 Kondoh D10/70
D632,598 S * 2/2011 Hung D10/97
D717,956 S * 11/2014 Alexander D24/167
D729,651 S * 5/2015 Nuovo D10/32
D745,421 S * 12/2015 Akana D10/32
D756,356 S * 5/2016 Park D10/103
D756,999 S * 5/2016 von Badinski D14/344



(56)

References Cited

U.S. PATENT DOCUMENTS

2014/0107493 A1* 4/2014 Yuen H04W 4/027
600/473
2016/0070393 A1* 3/2016 Sharma G06F 1/163
345/174
2016/0166197 A1* 6/2016 Venkatraman A61B 5/7435
600/301

* cited by examiner

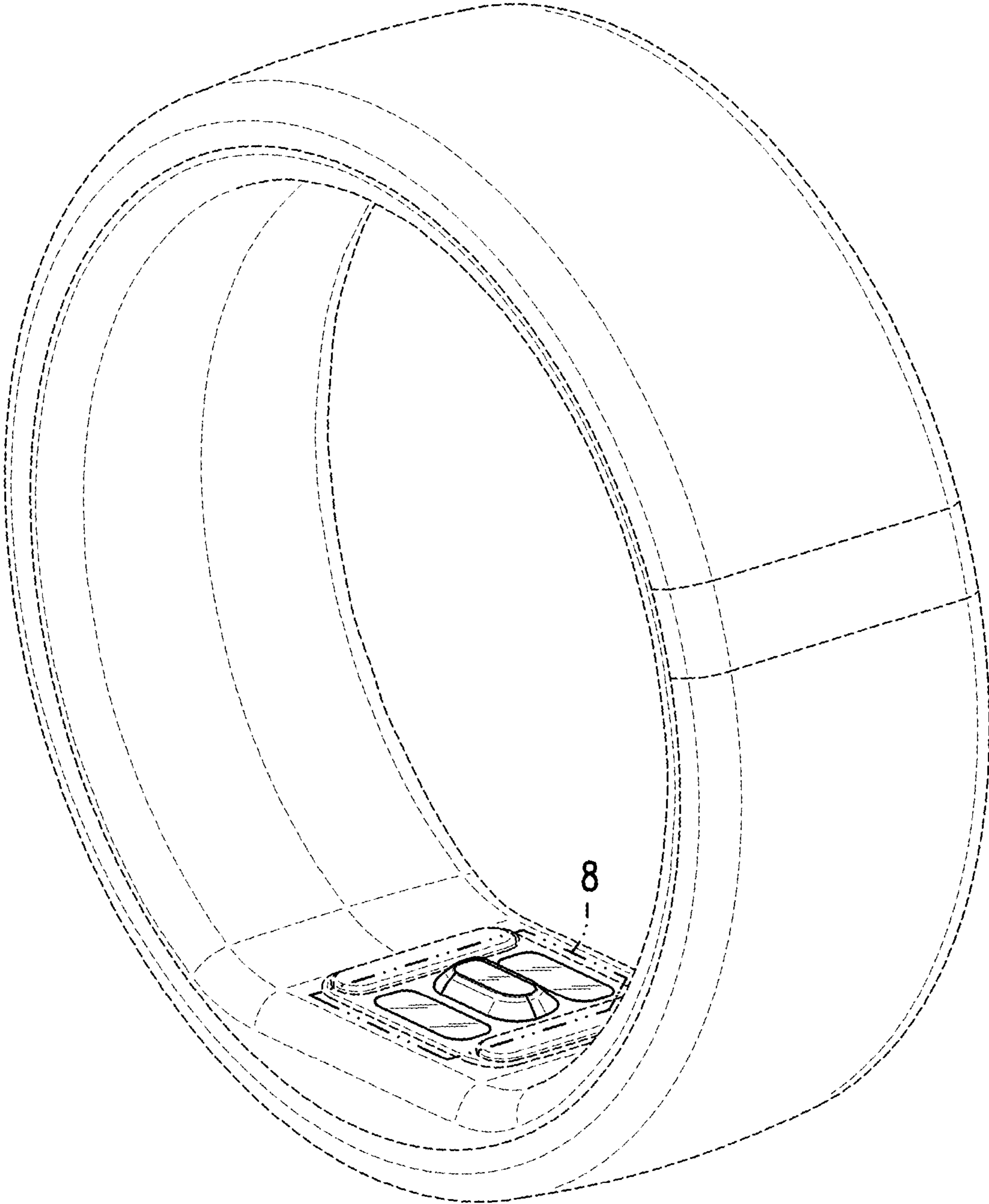


FIG. 1

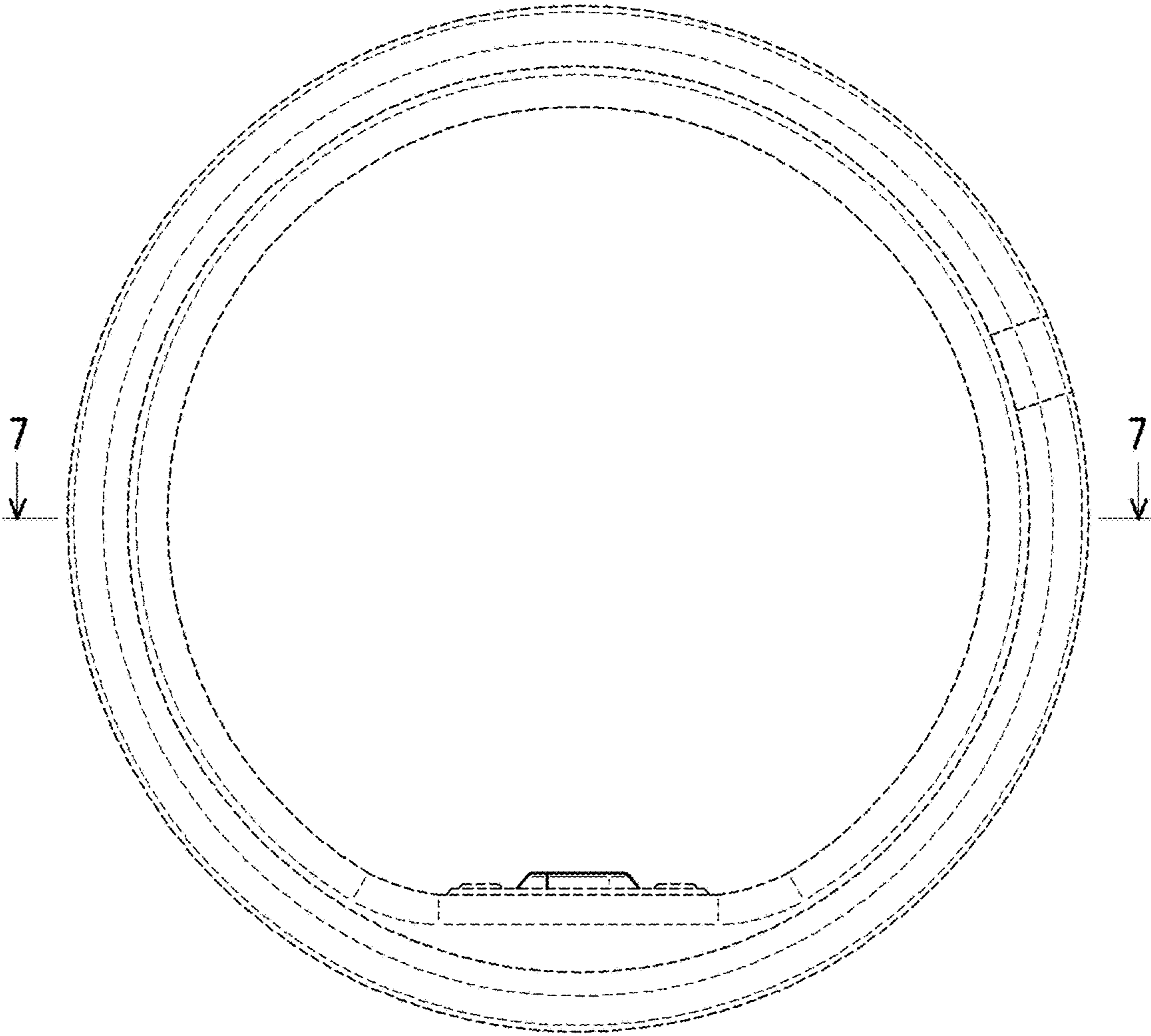


FIG. 2

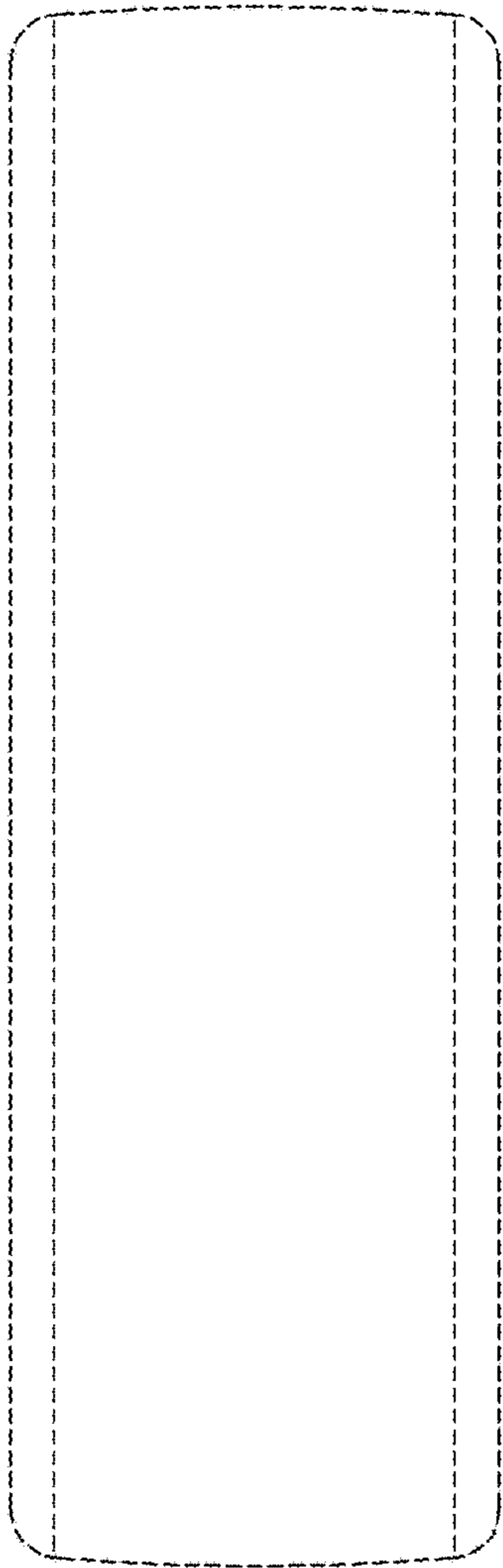


FIG. 3

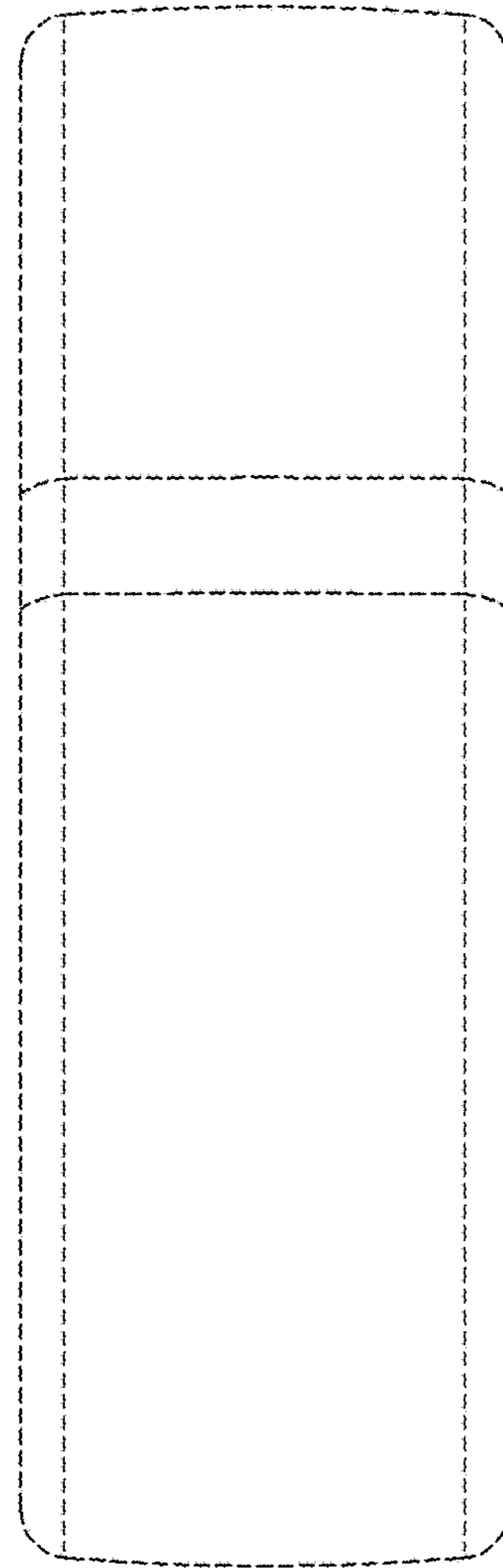


FIG. 4



FIG. 5



FIG. 6

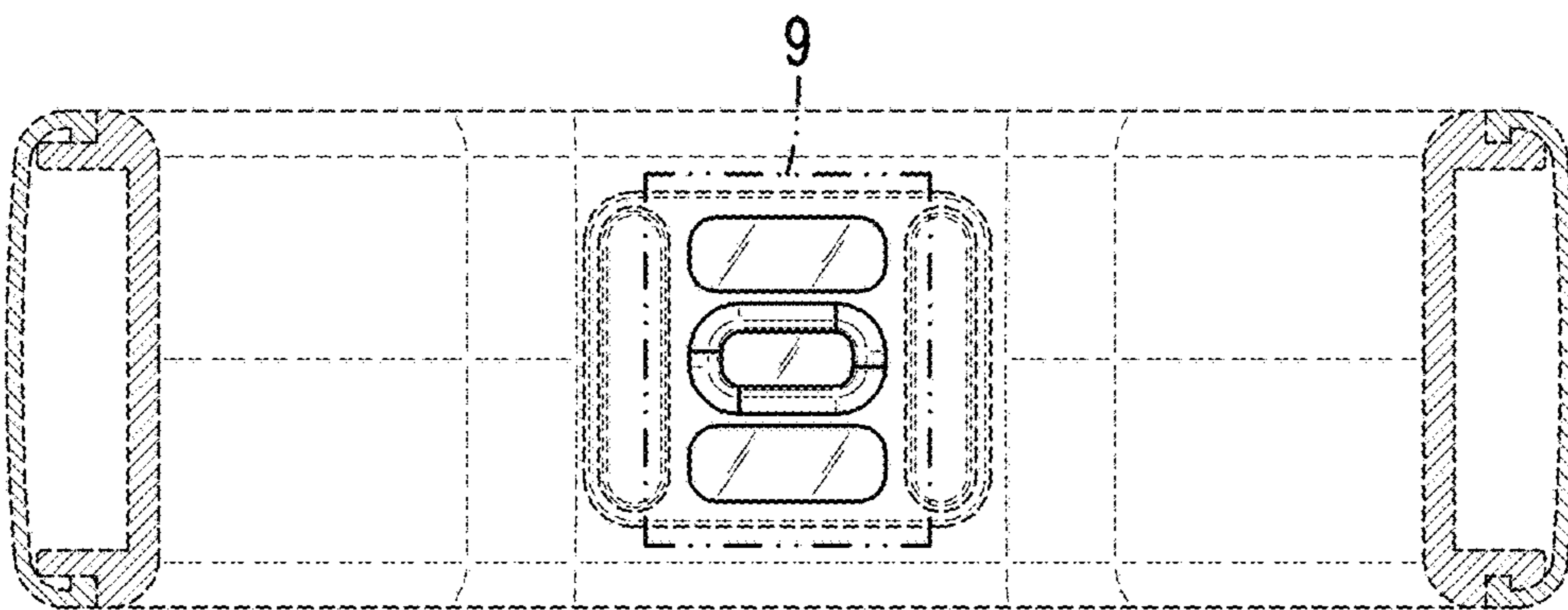


FIG. 7

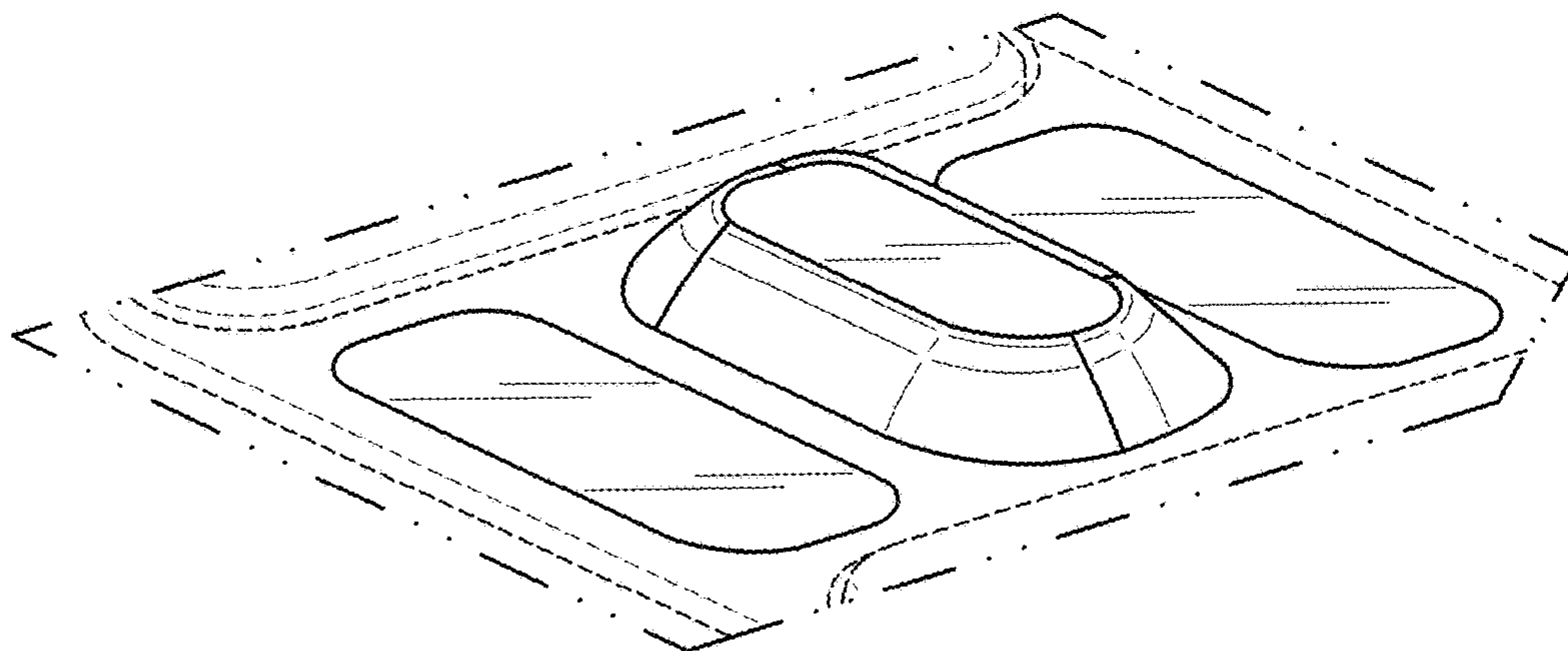


FIG. 8

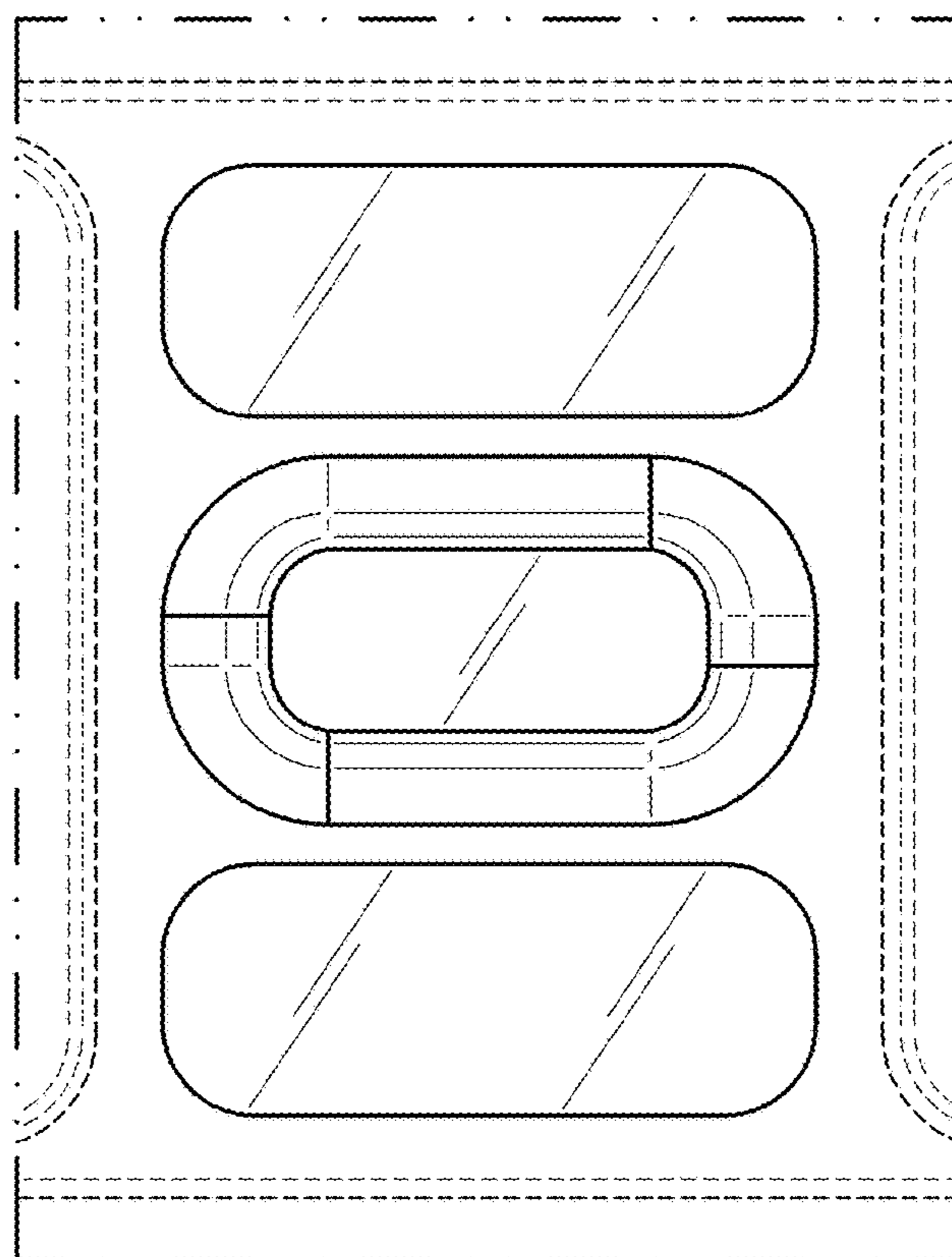


FIG. 9