



US00D817494S

(12) **United States Design Patent**
Apetauer et al.

(10) **Patent No.:** **US D817,494 S**

(45) **Date of Patent:** **** May 8, 2018**

(54) **X-RAY SCANNER**

(71) Applicant: **Smiths Heimann GmbH**, Wiesbaden (DE)

(72) Inventors: **Stephan Apetauer**, München (DE);
Tobias Heilmann, München (DE)

(73) Assignee: **SMITHS HEIMANN GMBH**,
Wiesbaden (DE)

(**) Term: **15 Years**

(21) Appl. No.: **29/576,679**

(22) Filed: **Sep. 6, 2016**

(51) **LOC (11) Cl.** **24-01**

(52) **U.S. Cl.**
USPC **D24/158**

(58) **Field of Classification Search**
USPC D24/107, 158–161, 185, 186, 187, 231;
D16/215
CPC G01N 23/046; G01N 2223/419; G01V
5/0016; G01V 5/005; G01V 5/0025;
G01V 5/0041
See application file for complete search history.

(56) **References Cited**

U.S. PATENT DOCUMENTS

- 6,859,518 B2 * 2/2005 Banchieri G01N 23/046
378/196
- 7,072,434 B1 * 7/2006 Tybinkowski G01N 23/046
378/203

- D705,931 S * 5/2014 Wilden D24/158
- D705,932 S * 5/2014 Matuschek D24/158
- D705,933 S * 5/2014 Matuschek D24/158
- D705,935 S * 5/2014 Matuschek D24/158
- D794,797 S * 8/2017 Tran D24/158
- 2008/0137809 A1 * 6/2008 Hartick G01V 5/0016
378/57
- 2010/0111255 A1 * 5/2010 Harding G01V 5/0016
378/87

* cited by examiner

Primary Examiner — Anhdao Doan

(74) *Attorney, Agent, or Firm* — Casimir Jones, S.C.;
David Casimir

(57) **CLAIM**

We claim the ornamental design for an x-ray scanner, as shown and described.

DESCRIPTION

FIG. 1 is a right/rear perspective view showing the new design;
 FIG. 2 is a left/rear perspective view showing the new design;
 FIG. 3 is a right side elevational view thereof;
 FIG. 4 is a front elevational view thereof;
 FIG. 5 is a left side elevational view thereof;
 FIG. 6 is a rear elevational view thereof;
 FIG. 7 is a bottom plan view thereof; and,
 FIG. 8 is a top plan view thereof.

1 Claim, 8 Drawing Sheets

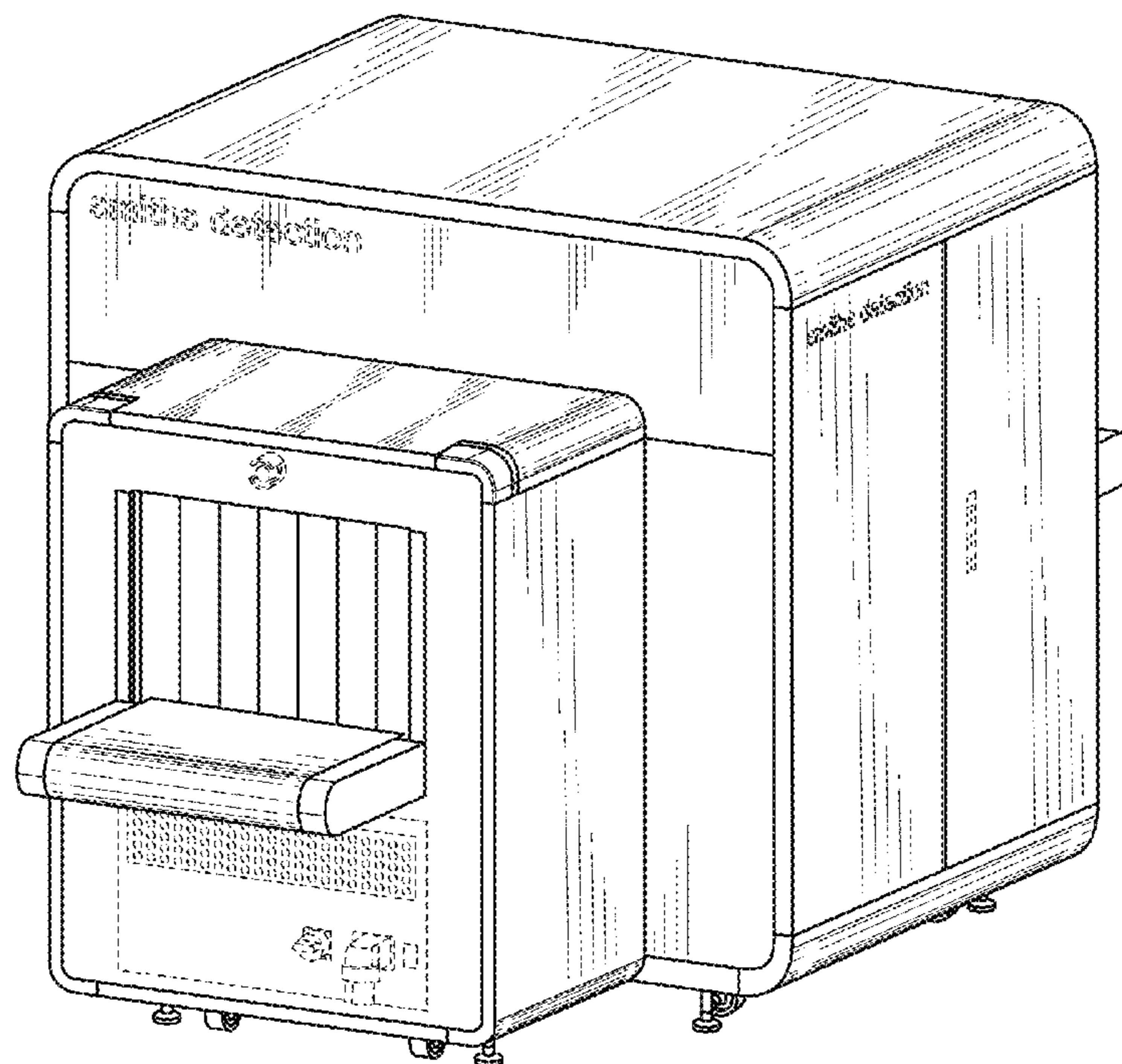


FIG. 1

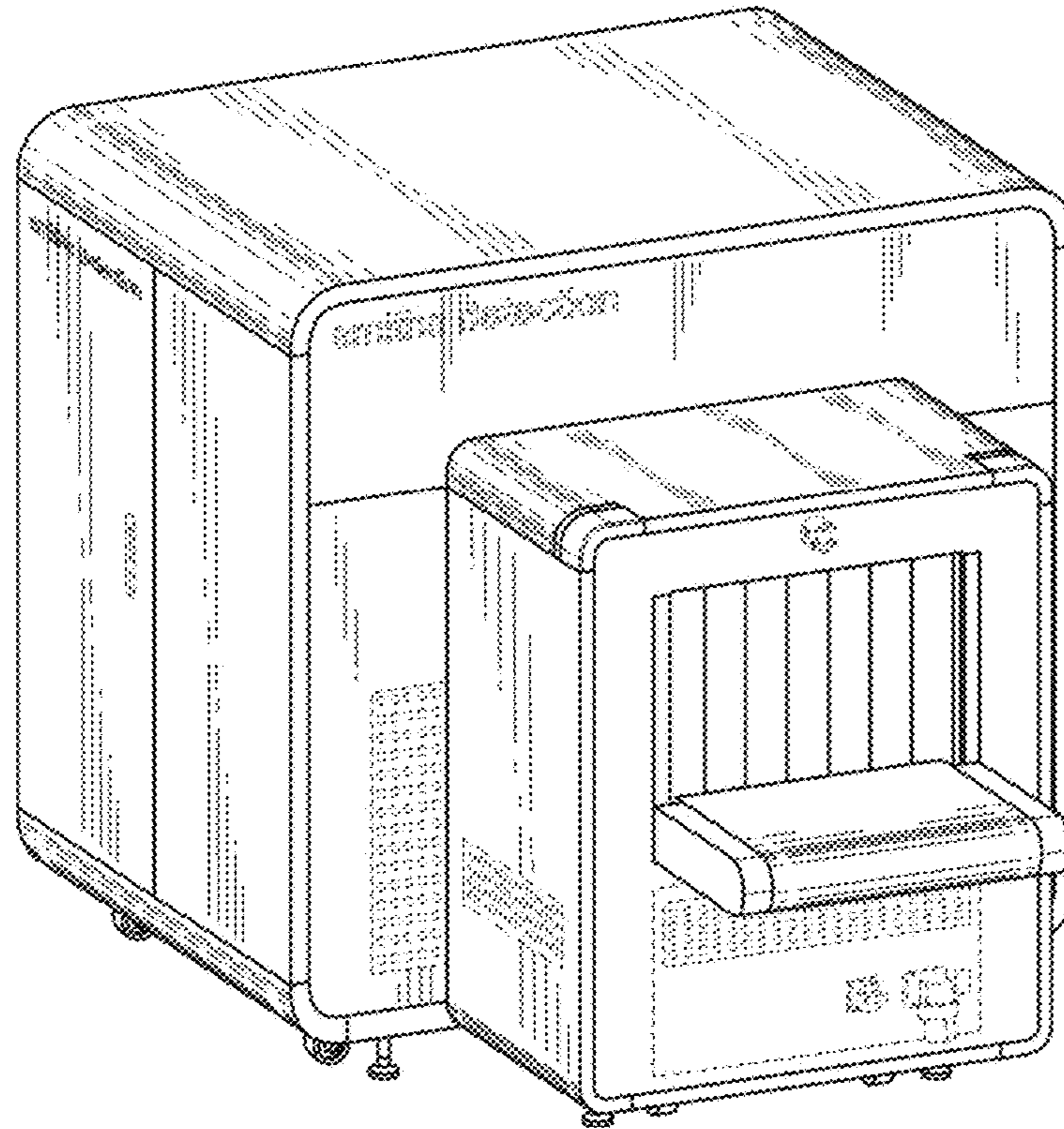
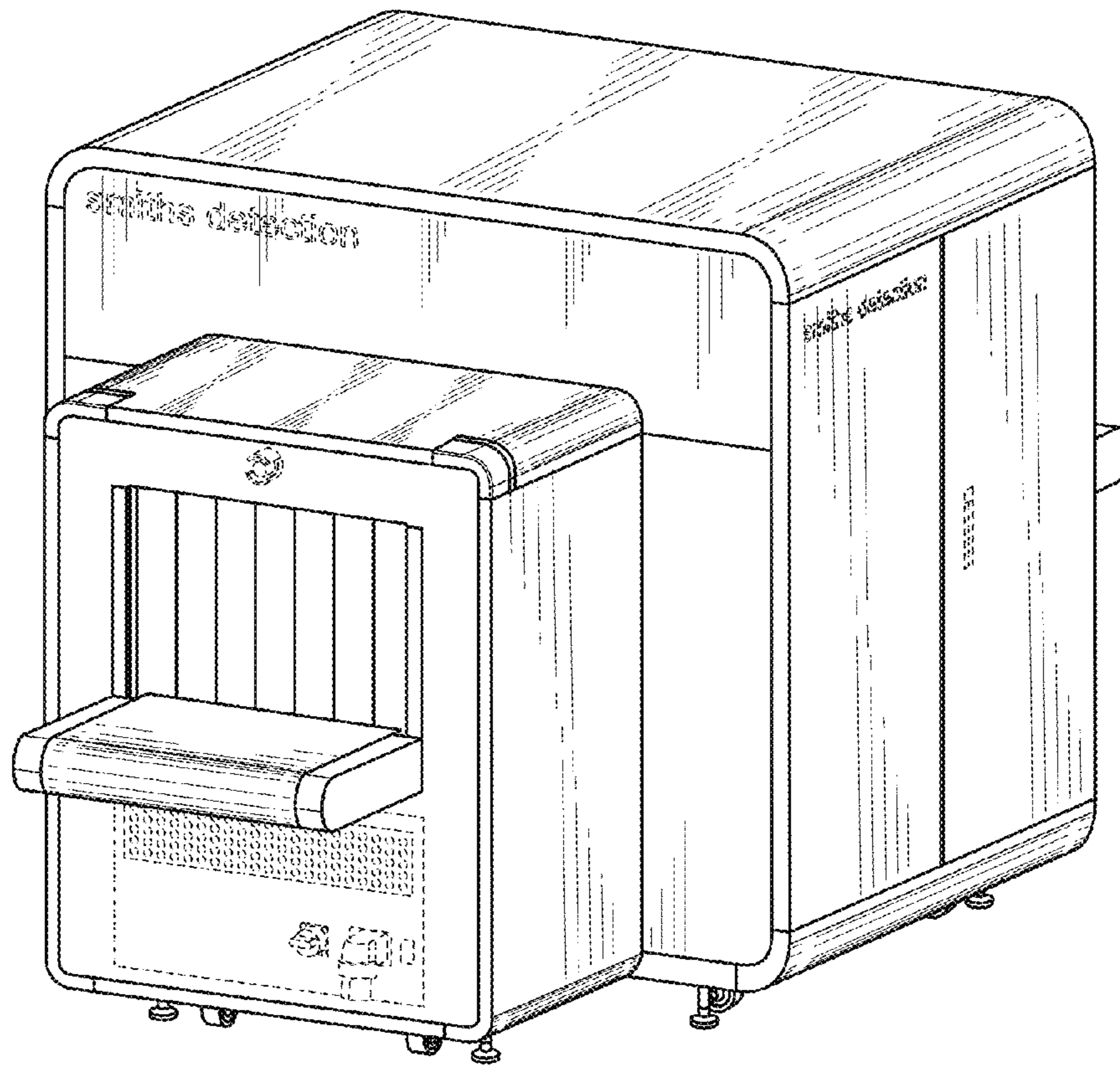


FIG. 2



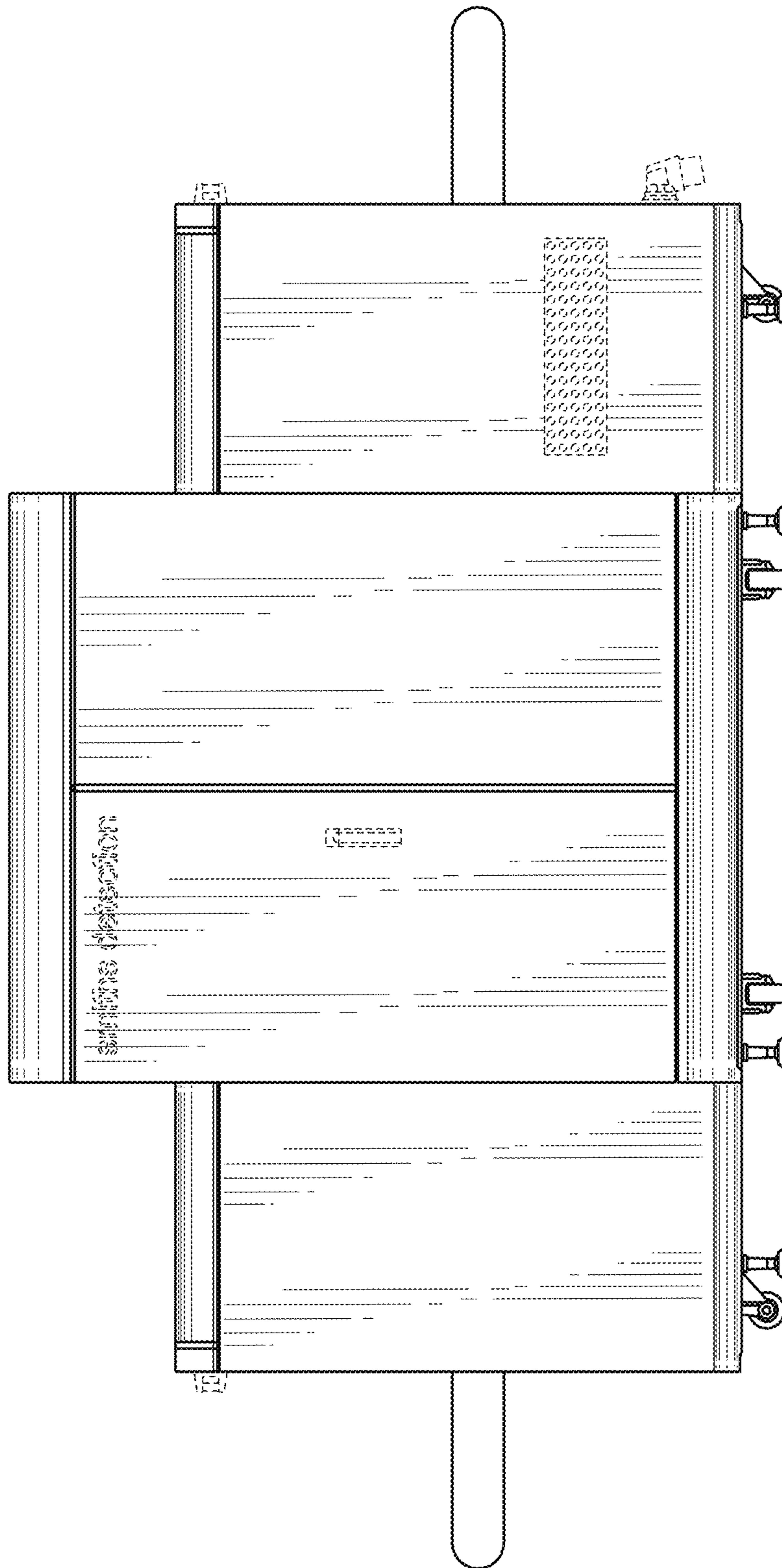
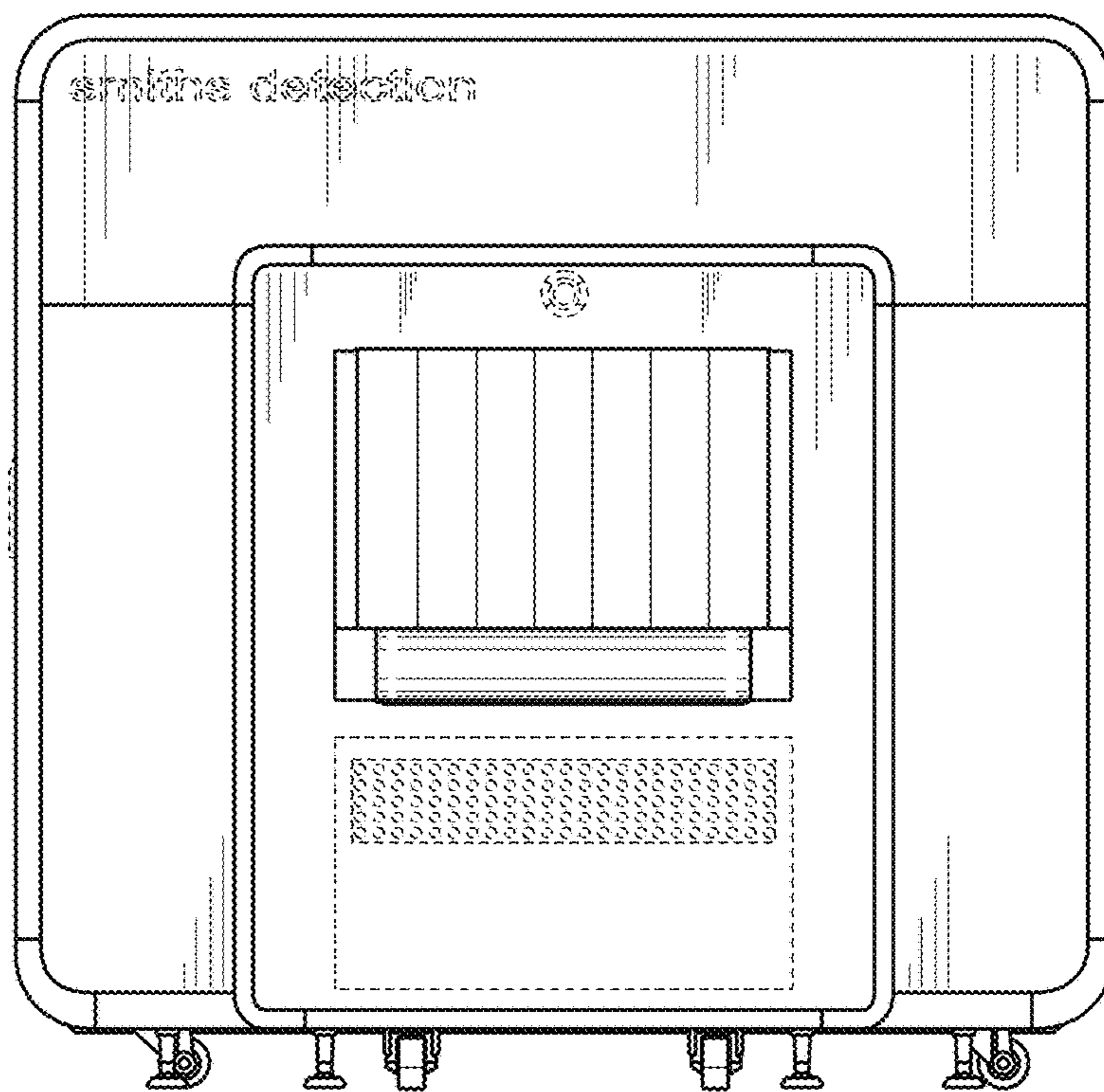


FIG. 3

FIG. 4



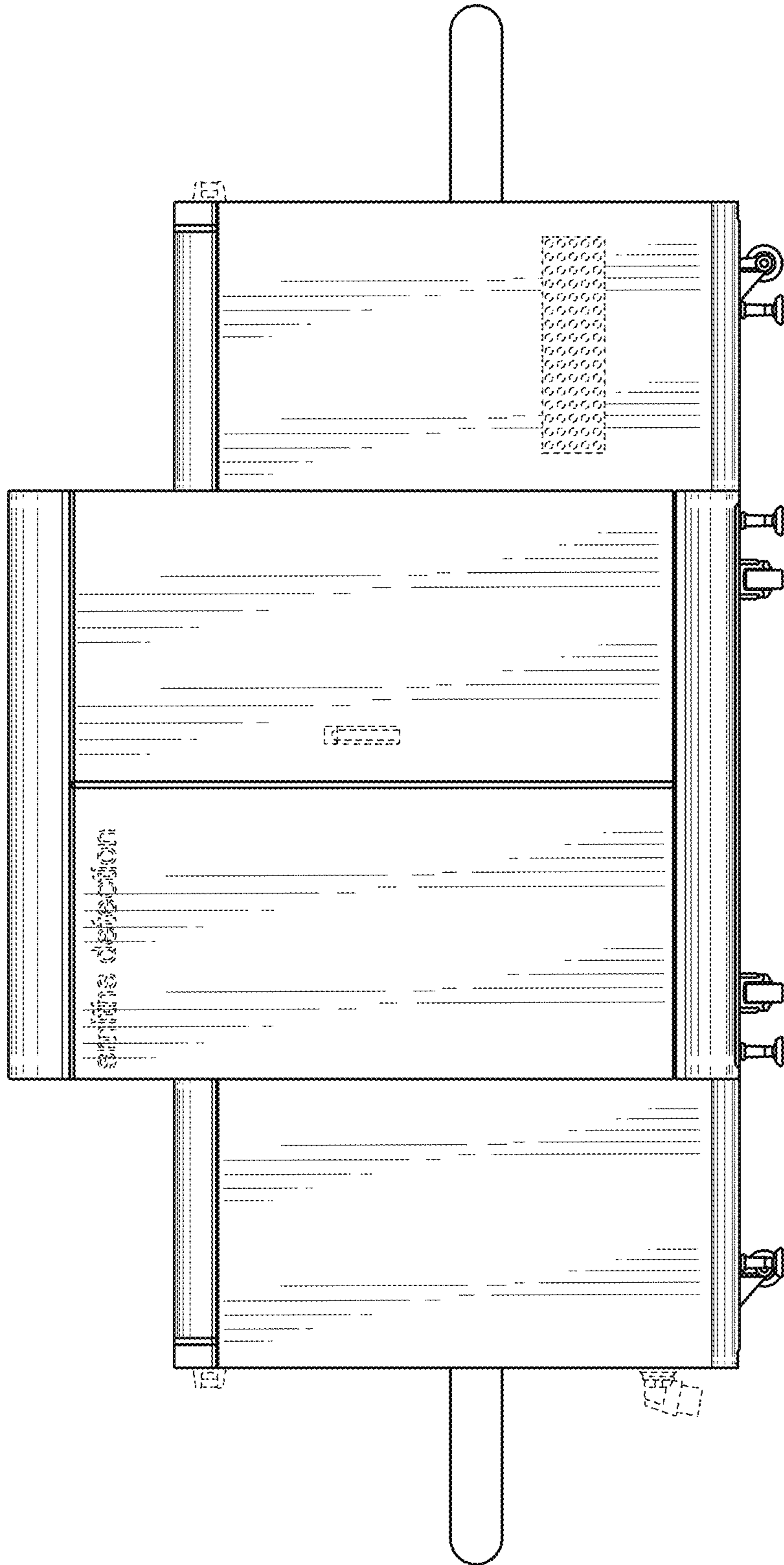
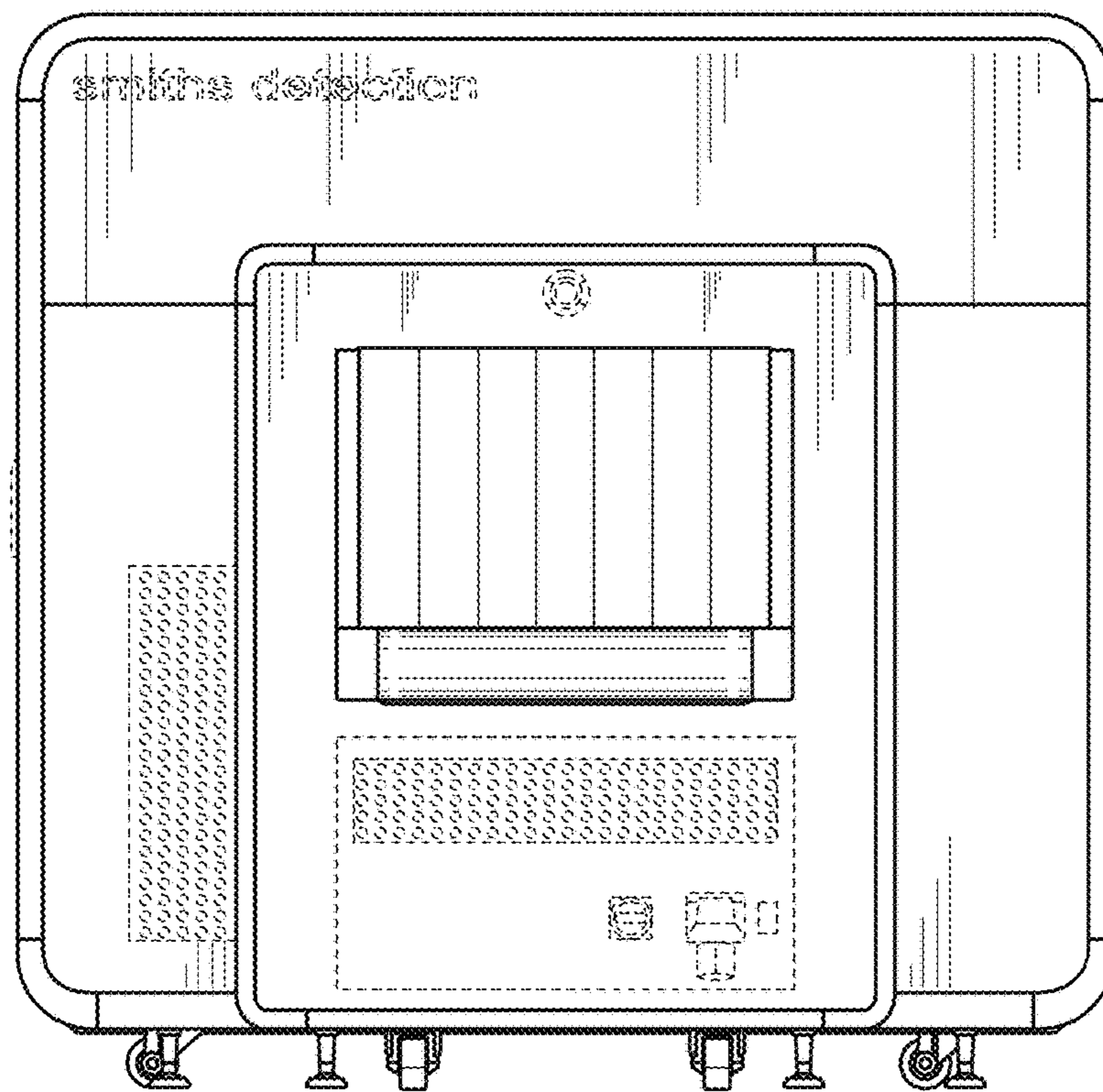


FIG. 5

FIG. 6



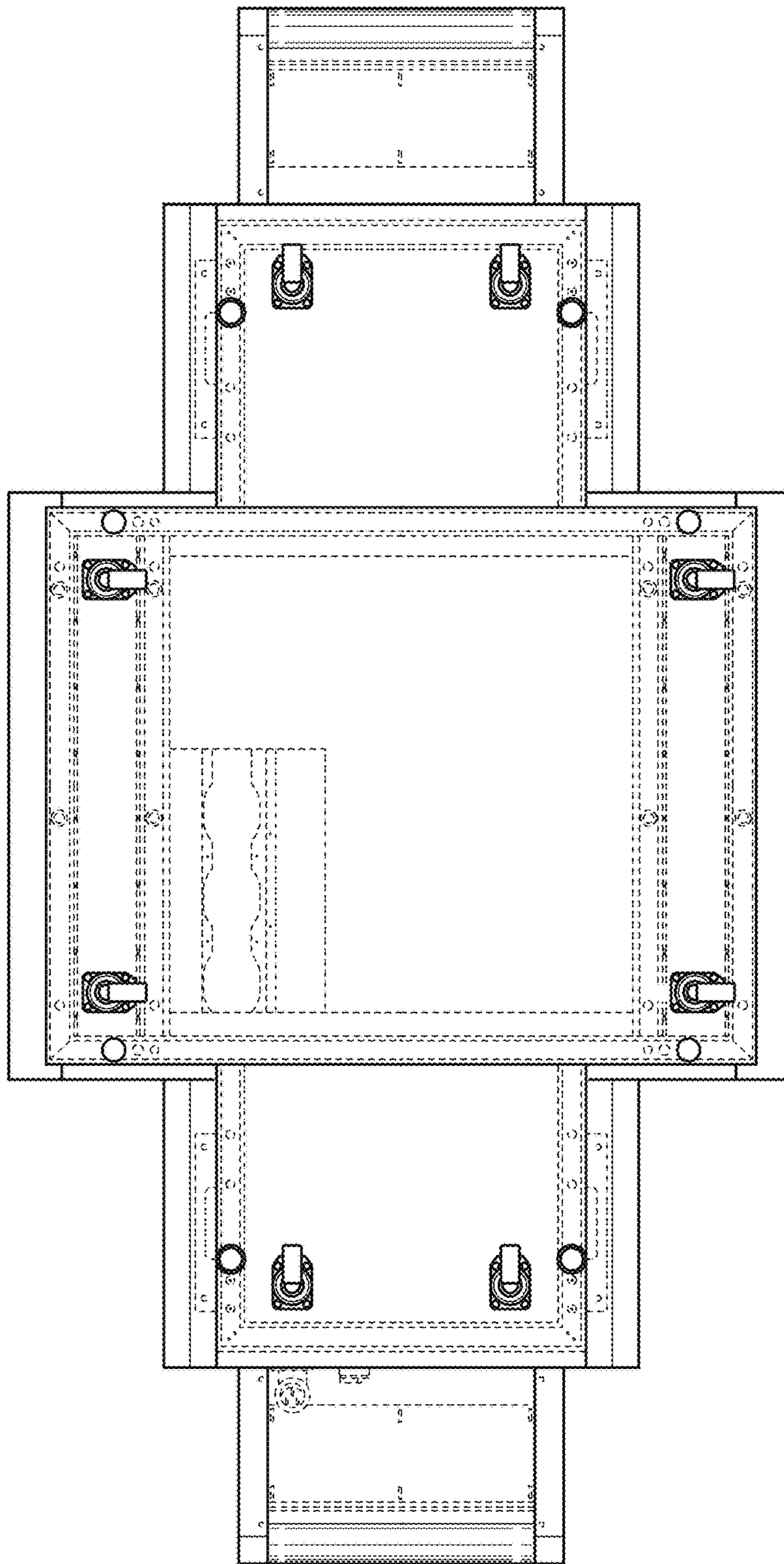


FIG. 7

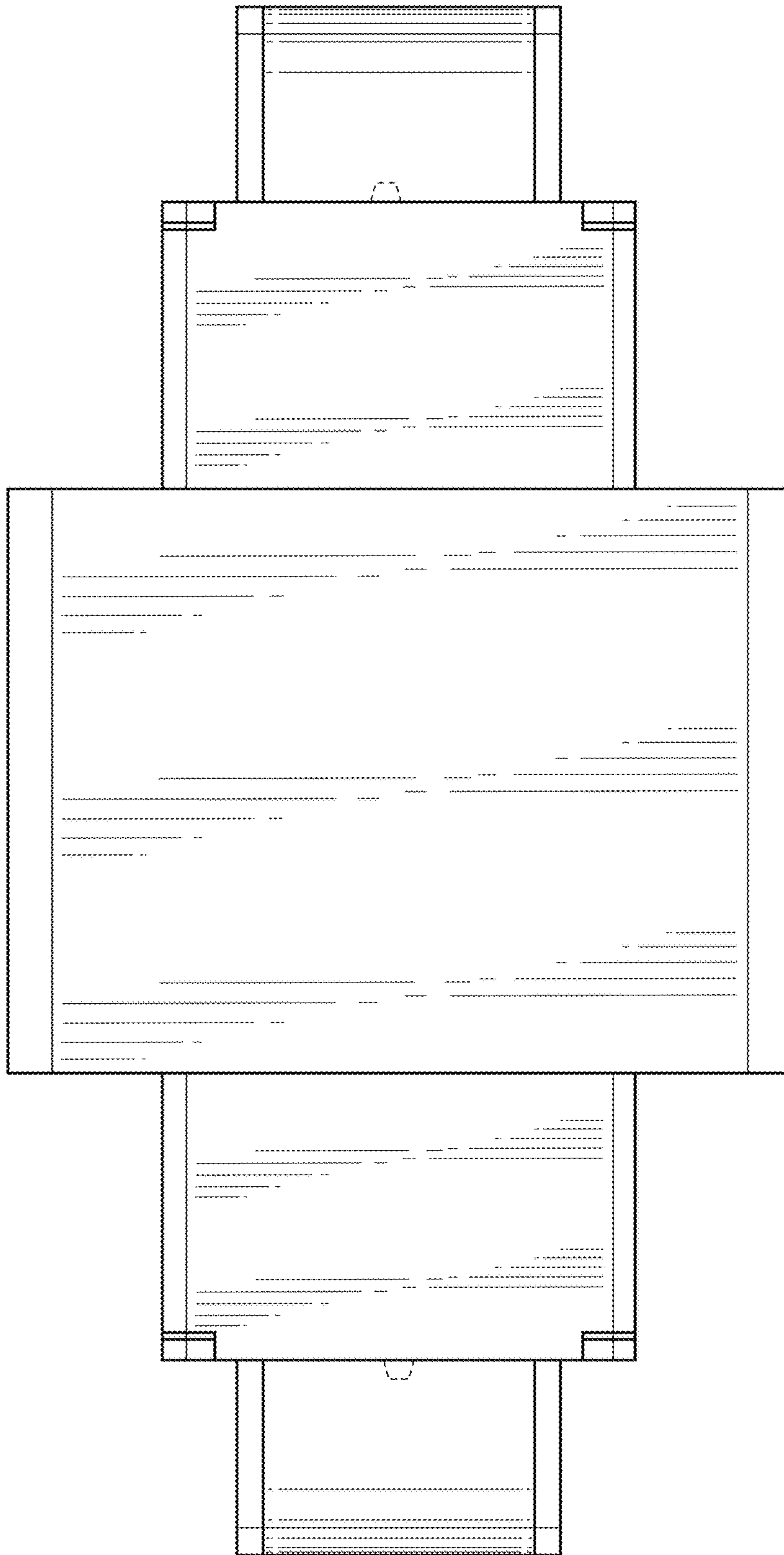


FIG. 8