



US00D817493S

(12) **United States Design Patent**
Cho

(10) **Patent No.:** **US D817,493 S**

(45) **Date of Patent:** **** May 8, 2018**

(54) **REMOVING APPARATUS OF ABUTMENT FOR DENTAL IMPLANT**

(71) Applicant: **EBI Inc.**, Gyeongsan-si (KR)

(72) Inventor: **Sang Choon Cho**, New York, NY (US)

(73) Assignee: **EBI Inc.** (KR)

(**) Term: **15 Years**

(21) Appl. No.: **29/575,097**

(22) Filed: **Aug. 22, 2016**

(30) **Foreign Application Priority Data**

Feb. 23, 2016 (KR) 30-2016-0008319

(51) **LOC (11) Cl.** **24-02**

(52) **U.S. Cl.**
USPC **D24/152**; D24/156

(58) **Field of Classification Search**
USPC D24/152, 155-156, 145, 133
CPC ... A61C 8/0089; A61C 8/0068; A61C 8/0066;
A61C 8/0022; A61C 8/0025; A61C
8/0074; A61C 8/005; A61C 8/00; A61C
7/02

See application file for complete search history.

(56) **References Cited**

U.S. PATENT DOCUMENTS

7,654,824 B2* 2/2010 Ebi A61C 8/0066
433/173
8,226,410 B2* 7/2012 Kim A61C 8/0089
433/174

8,985,331 B2* 3/2015 Guenter A61C 8/0087
206/438
D729,388 S * 5/2015 Cho D24/156
9,750,583 B2* 9/2017 Hur A61C 8/0089
2010/0304329 A1* 12/2010 Heo A61C 8/0089
433/146
2012/0196247 A1* 8/2012 Bugnard A61C 8/0066
433/141
2013/0004916 A1* 1/2013 Bellanca A61C 8/0089
433/173
2014/0295374 A1* 10/2014 Jo A61C 8/0022
433/147
2016/0081774 A1* 3/2016 Fah A61C 8/0089
433/141

* cited by examiner

Primary Examiner — Wan Laymon

(74) *Attorney, Agent, or Firm* — St Onge Steward
Johnston and Reens LLC

(57) **CLAIM**

The ornamental design for a removing apparatus of abutment for dental implant, as shown and described.

DESCRIPTION

FIG. 1 is a top, front and left side isometric view of a removing apparatus of abutment for dental implant in accordance with the new design;
FIG. 2 is a front elevational view thereof;
FIG. 3 is a rear elevational view thereof;
FIG. 4 is a left side elevational view thereof;
FIG. 5 is a right side elevational view thereof;
FIG. 6 is a top plan view thereof; and,
FIG. 7 is a bottom plan view thereof.

1 Claim, 3 Drawing Sheets

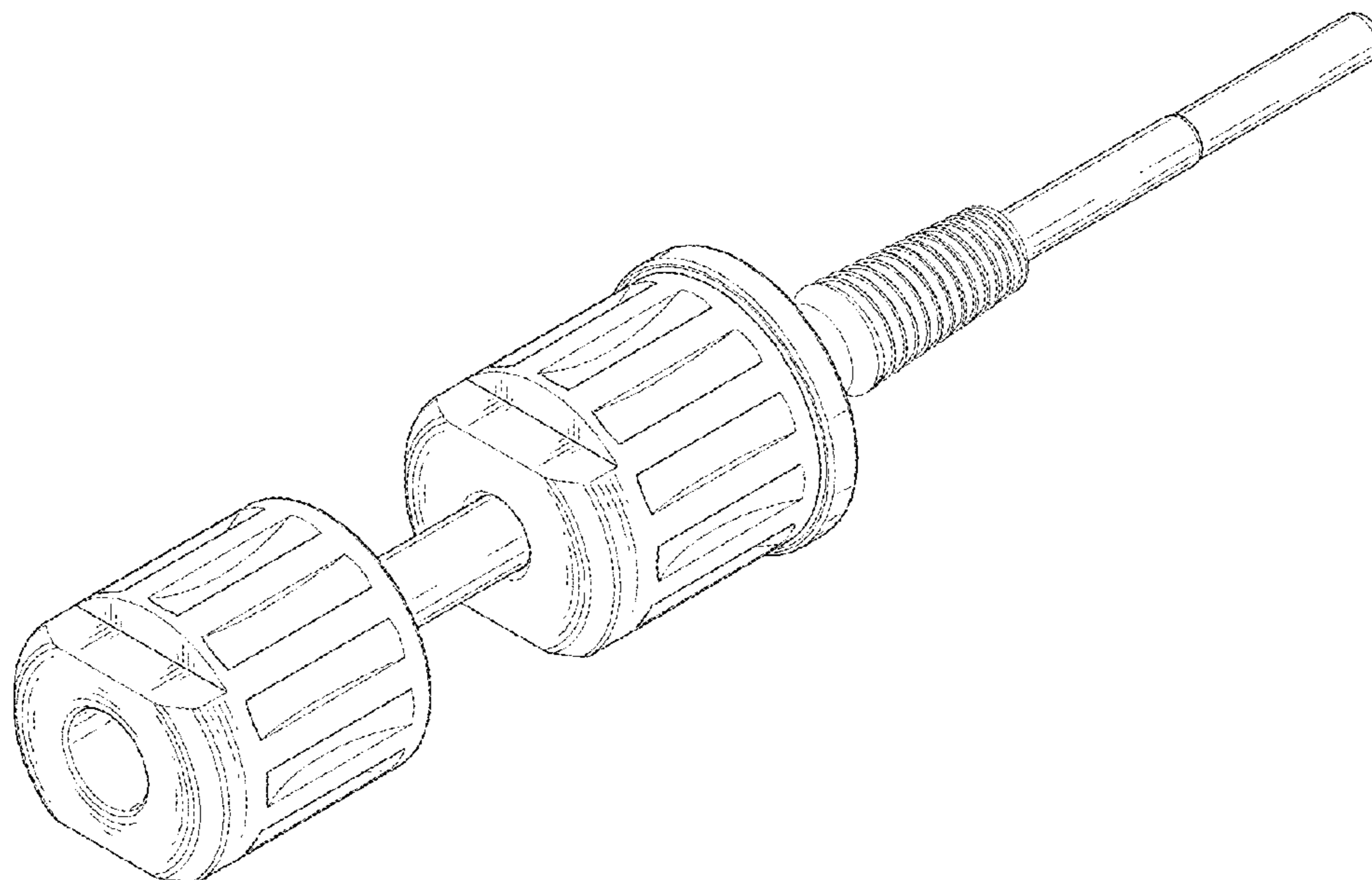


FIG. 1

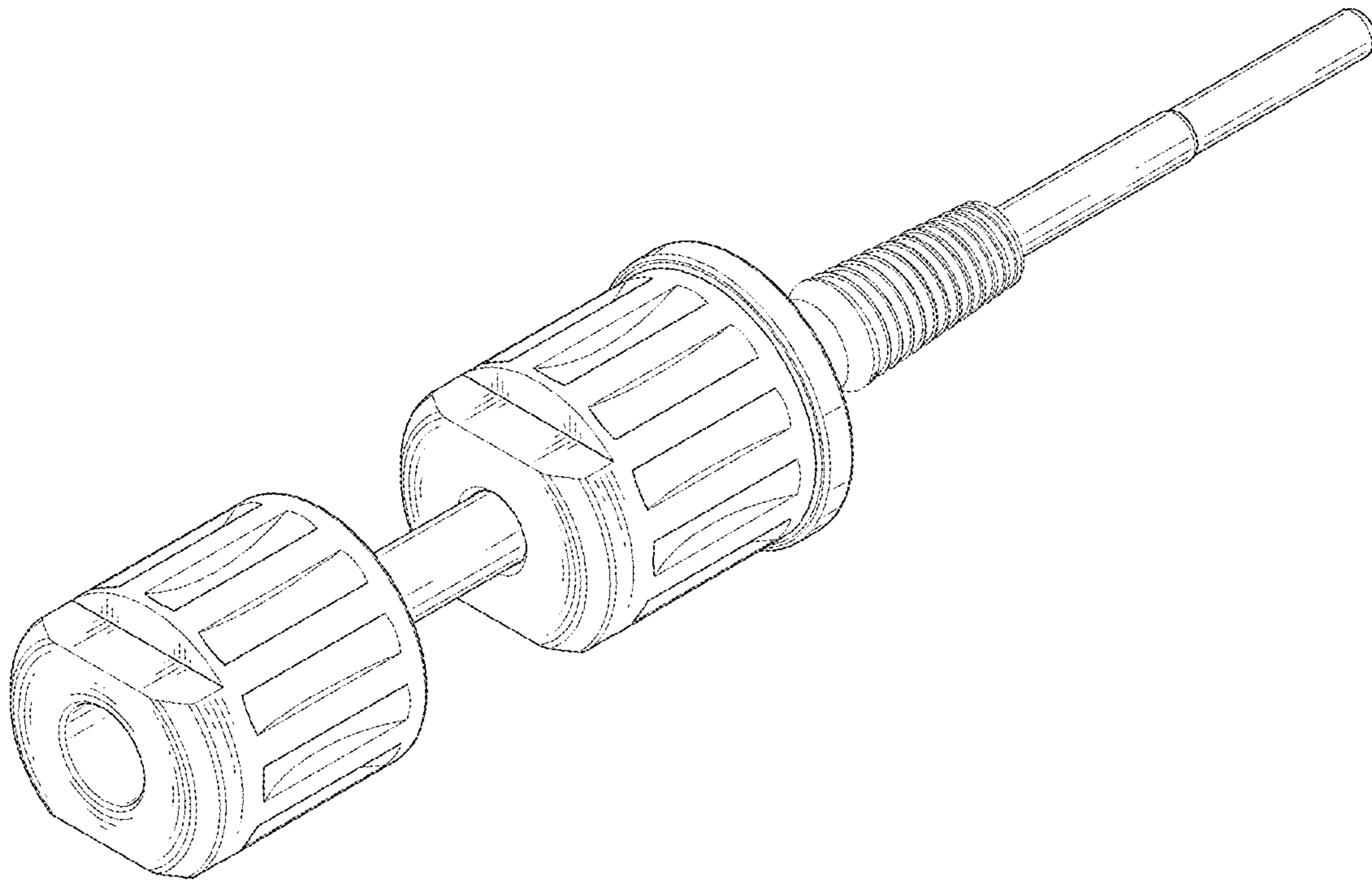


FIG. 2

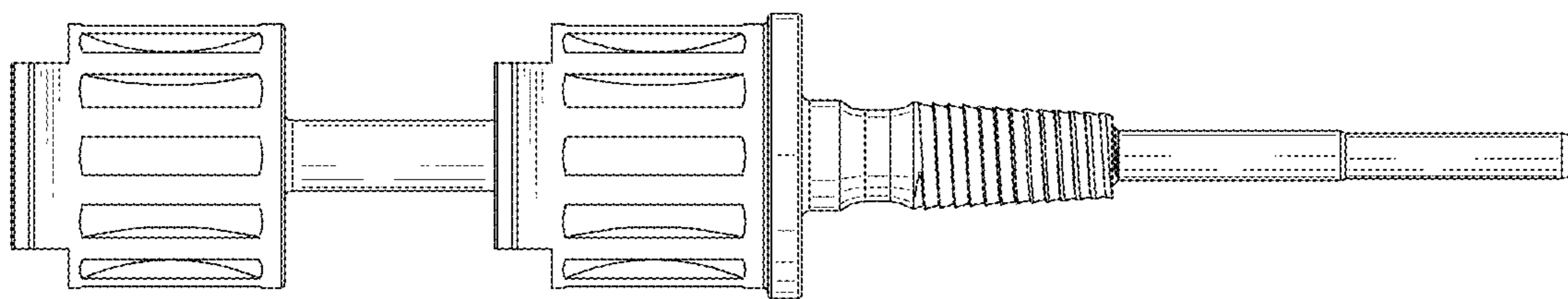


FIG. 3

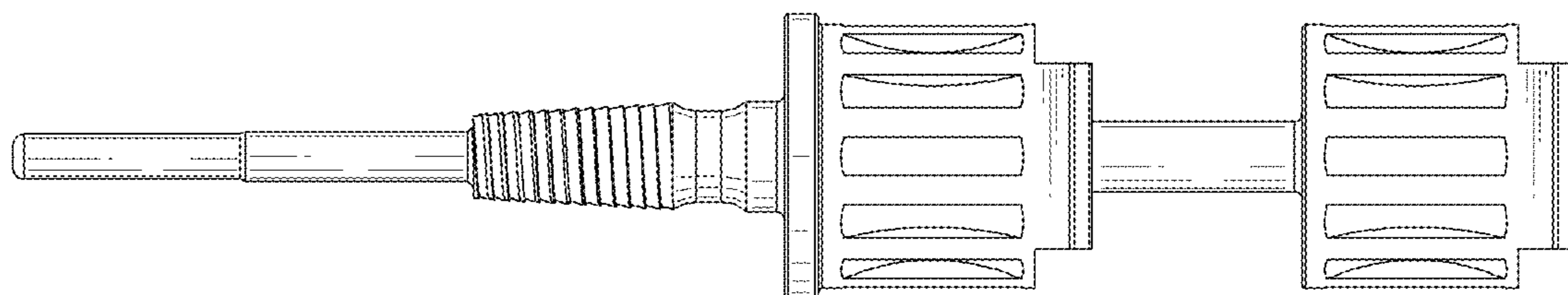


FIG. 4

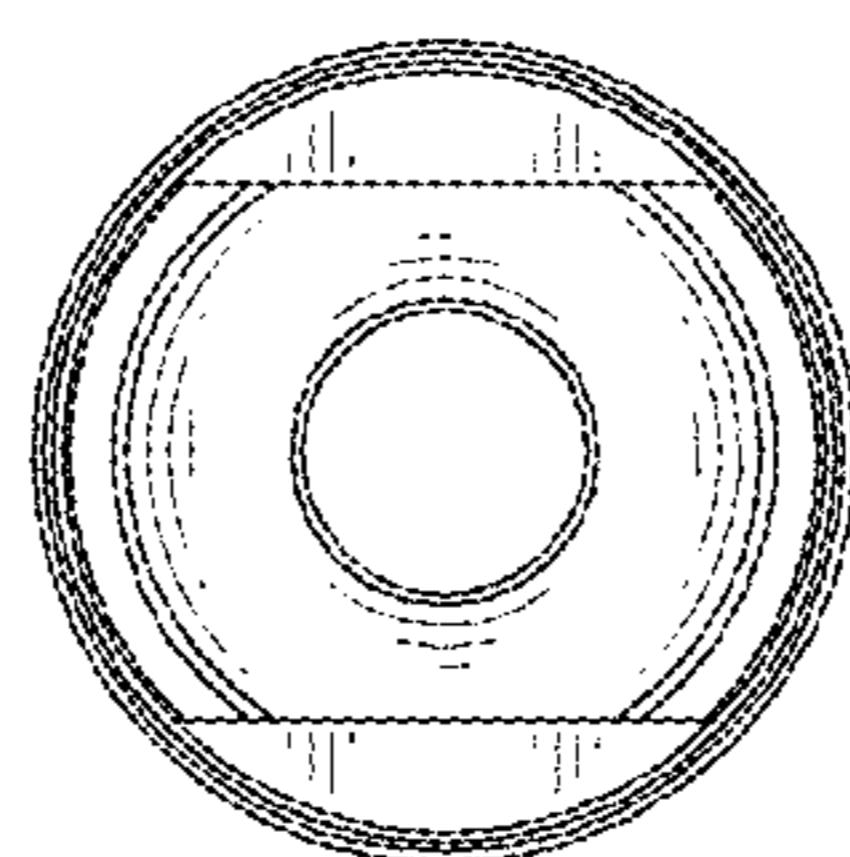


FIG. 5

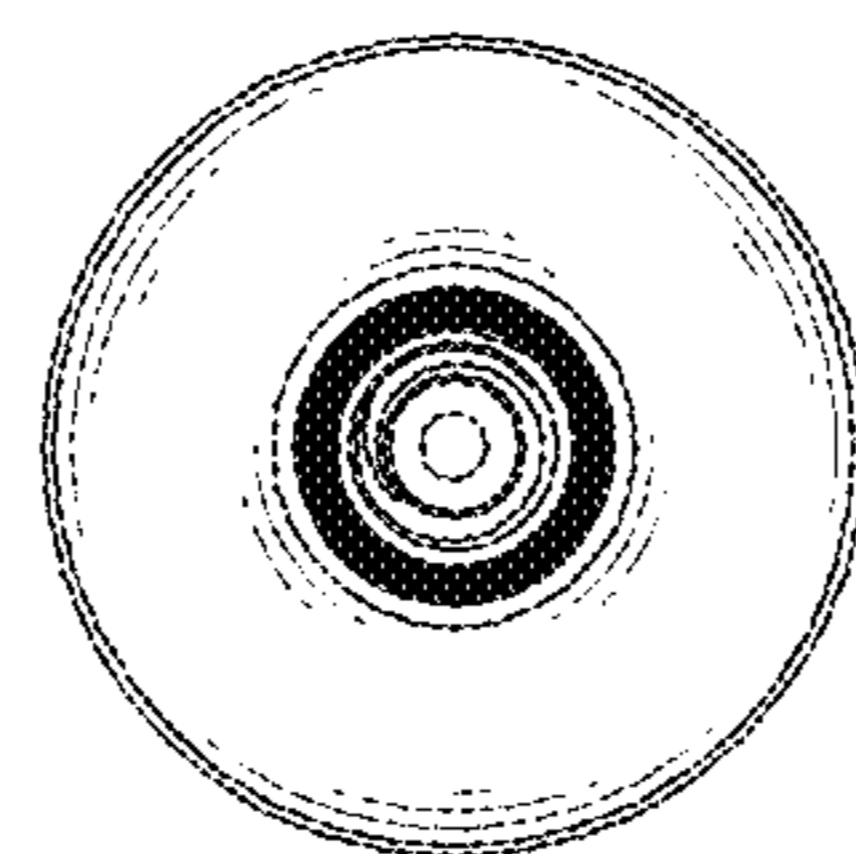


FIG. 6

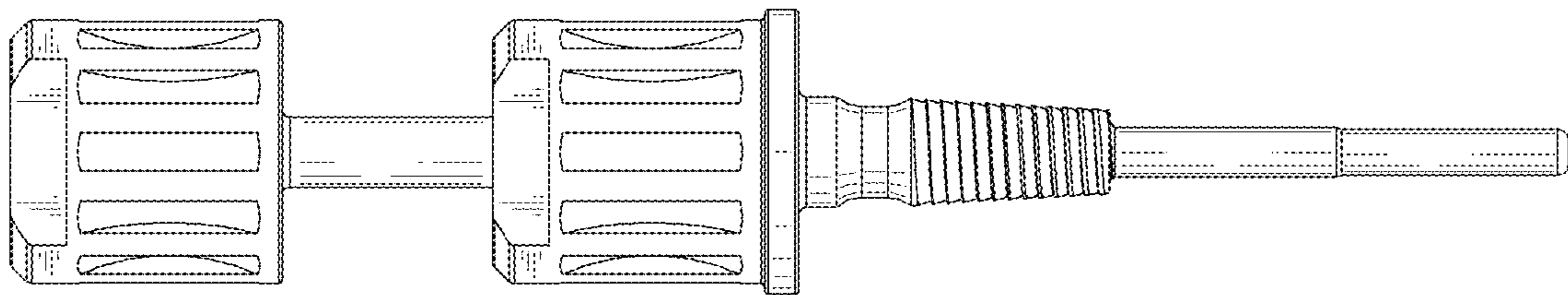


FIG. 7

