



US00D817492S

(12) **United States Design Patent** (10) **Patent No.:** **US D817,492 S**
Ritter (45) **Date of Patent:** **** May 8, 2018**

(54) **DENTAL ACCESSORY WITH TONGUE SUPPRESSOR**

(71) Applicant: **ASCENTCARE DENTAL LABS, LLC**, Nunica, MI (US)

(72) Inventor: **Austin Rasmussen Ritter**, Nunica, MI (US)

(**) Term: **15 Years**

(21) Appl. No.: **29/561,804**

(22) Filed: **Apr. 20, 2016**

(51) **LOC (11) Cl.** **24-02**

(52) **U.S. Cl.**
USPC **D24/152; D24/176**

(58) **Field of Classification Search**
USPC D24/152, 176, 127-128, 136; 433/140
CPC A61C 5/007; A61C 17/00; A61C 17/04;
A61B 1/14; A61B 1/24; A61B 13/00
See application file for complete search history.

(56) **References Cited**

U.S. PATENT DOCUMENTS

2,823,455 A	4/1956	Sprague	
D214,859 S *	8/1969	Stroh	D24/136
3,657,819 A	4/1972	Soderqvist	
3,722,101 A	3/1973	Via, Jr.	
3,916,880 A	11/1975	Schroer	
3,924,333 A	12/1975	Erickson	
4,017,975 A	4/1977	Johnson	
4,024,859 A	5/1977	Slepyan et al.	
4,112,936 A	9/1978	Blachly	
4,215,984 A	8/1980	Reichley	
4,310,308 A	1/1982	Oien	
4,425,911 A	1/1984	Luomanen et al.	
4,495,945 A	1/1985	Liegner	
D292,123 S	9/1987	Armstrong et al.	
5,071,347 A	12/1991	McGuire	
5,078,602 A	1/1992	Honoshofsky	
5,097,820 A	3/1992	Shulman et al.	

(Continued)

OTHER PUBLICATIONS

LEAP Illuminated Mouth Prop, <https://garrisondental.com/en/leap-illuminated-mouth-prop>, Garrison Dental, Spring Lake, MI (undated).

(Continued)

Primary Examiner — Wan Laymon

(74) *Attorney, Agent, or Firm* — James E. Shultz, Jr.

(57) **CLAIM**

The ornamental design for a dental accessory with tongue suppressor, as shown and described.

DESCRIPTION

FIG. 1 is a front perspective view of a dental accessory with tongue suppressor according to a first embodiment of my design;

FIG. 2 is a front elevational view thereof;

FIG. 3 is a rear elevational view thereof;

FIG. 4 is a first side elevational view thereof;

FIG. 5 is a second side elevational view thereof;

FIG. 6 is a top elevational view thereof;

FIG. 7 is a bottom elevational view thereof;

FIG. 8 is a front perspective view of a dental accessory with tongue suppressor according to a second embodiment of my design;

FIG. 9 is a front elevational view thereof;

FIG. 10 is a rear elevational view thereof;

FIG. 11 is a first side elevational view thereof;

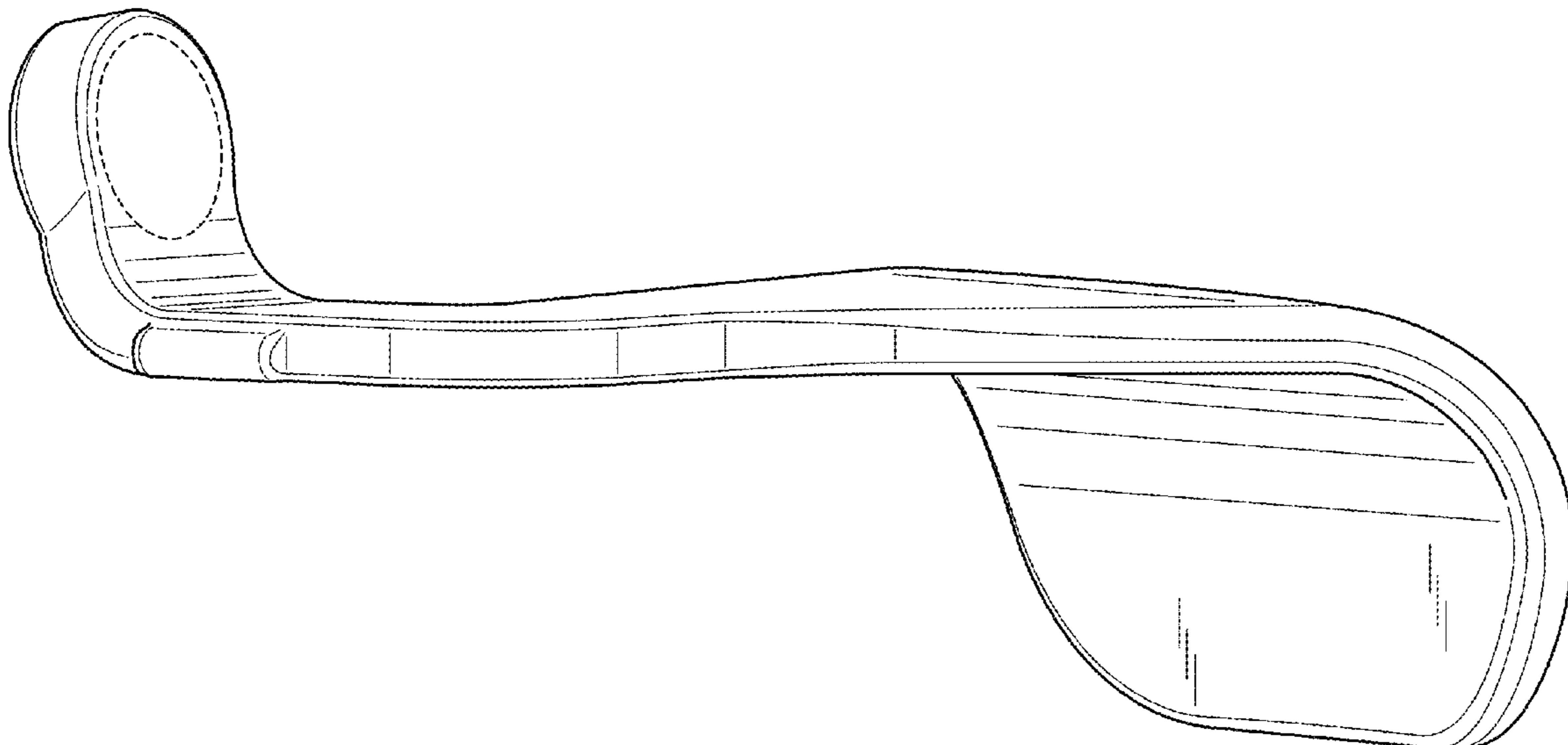
FIG. 12 is a second side elevational view thereof;

FIG. 13 is a top elevational view thereof; and,

FIG. 14 is a bottom elevational view thereof.

The broken line showing of various features is for the purpose of illustrating unclaimed portions of the dental accessory with tongue suppressor and forms no part of the claimed design.

1 Claim, 14 Drawing Sheets



(56)

References Cited

U.S. PATENT DOCUMENTS

5,386,821 A 2/1995 Poterack
 5,421,327 A 6/1995 Flynn et al.
 D370,732 S 6/1996 Smith
 5,590,643 A 1/1997 Flam
 5,733,121 A 3/1998 Goode
 5,740,791 A 4/1998 Ayes
 5,762,496 A 6/1998 Albertsson et al.
 6,098,627 A 8/2000 Kellner et al.
 6,102,701 A 8/2000 Engeron
 D440,654 S 4/2001 Mark
 D441,073 S 4/2001 Mark
 6,241,521 B1 6/2001 Garrison
 6,244,866 B1* 6/2001 Campbell A61B 1/24
 433/140
 6,474,332 B2 11/2002 Arndt
 6,652,276 B2 11/2003 Fischer et al.
 6,655,960 B2 12/2003 Fischer
 6,675,808 B2 1/2004 Karasic
 6,716,029 B2 4/2004 Fischer et al.
 D495,799 S 9/2004 Hirsch et al.
 7,066,735 B1 6/2006 Gasporra
 7,712,468 B2 5/2010 Hargadon
 7,780,445 B2 8/2010 Keles
 7,785,105 B2 8/2010 Anderson
 7,887,483 B2 2/2011 Rosenberg
 D639,959 S 6/2011 Westerlund
 7,963,286 B2* 6/2011 Burdumy A61B 13/00
 128/861
 8,083,672 B2 12/2011 Minson
 8,197,402 B1 6/2012 Cedeno
 D666,726 S 9/2012 Davis et al.
 8,430,095 B2 4/2013 Inoue et al.
 8,535,056 B2 9/2013 Dragan et al.
 8,656,925 B2 2/2014 Davis et al.
 8,684,919 B2 4/2014 Anca et al.
 8,770,189 B2 7/2014 Colman et al.
 8,820,320 B2 9/2014 Filipi et al.
 8,870,568 B1 10/2014 Ream

D721,811 S 1/2015 Zakhem et al.
 D753,818 S 4/2016 Maguire et al.
 D762,856 S 8/2016 Steward, Jr.
 D782,047 S* 3/2017 Ritter D24/176
 D787,069 S* 5/2017 Ritter D24/176
 2001/0015206 A1 8/2001 Arndt
 2001/0039949 A1 11/2001 Loubser
 2006/0042637 A1 3/2006 Martin et al.
 2007/0068535 A1 3/2007 Colman et al.
 2008/0053434 A1 3/2008 Wghtman et al.
 2008/0156322 A1 7/2008 Isenberg et al.
 2008/0318183 A1 12/2008 Suzman
 2010/0129767 A1 5/2010 Fishburne, Jr.
 2010/0132700 A1 6/2010 Filipi et al.
 2010/0262033 A1 10/2010 Colman et al.
 2010/0317987 A1 12/2010 Inoue et al.
 2011/0251467 A1 10/2011 Poch Marti
 2012/0228528 A1 9/2012 Koo
 2013/0104912 A1 5/2013 Davis et al.
 2013/0245367 A1 9/2013 Tucker
 2013/0270878 A1 10/2013 Adachi et al.
 2013/0323670 A1 12/2013 Okuda et al.
 2014/0007868 A1 1/2014 Eaton et al.
 2014/0114132 A1 4/2014 De Domenico
 2014/0275803 A1 9/2014 Cushner et al.
 2014/0332009 A1 11/2014 Haider et al.
 2015/0013672 A1 1/2015 Abdoue
 2015/0157821 A1 6/2015 Manecke et al.
 2016/0242885 A1 8/2016 Dickie et al.
 2016/0270878 A1 9/2016 Fulton, III
 2016/0310234 A1* 10/2016 Ritter A61B 1/24

OTHER PUBLICATIONS

Olight SR52 Intimidator CREE XM-L2 LED Flashlight, <https://www.amazon.com/Oling-Intimidator-XM-L-2-Flashlight-Black/dp/BOOKLMDM4S> . . . (Jun. 29, 2016).
 Garrison Dental, LEAP Illuminated Mouth Prop, <https://garrisondental.com/en/leap-illuminated-mouth-prop>, Garrison Dental, Spring Lake, MI (date unknown).

* cited by examiner

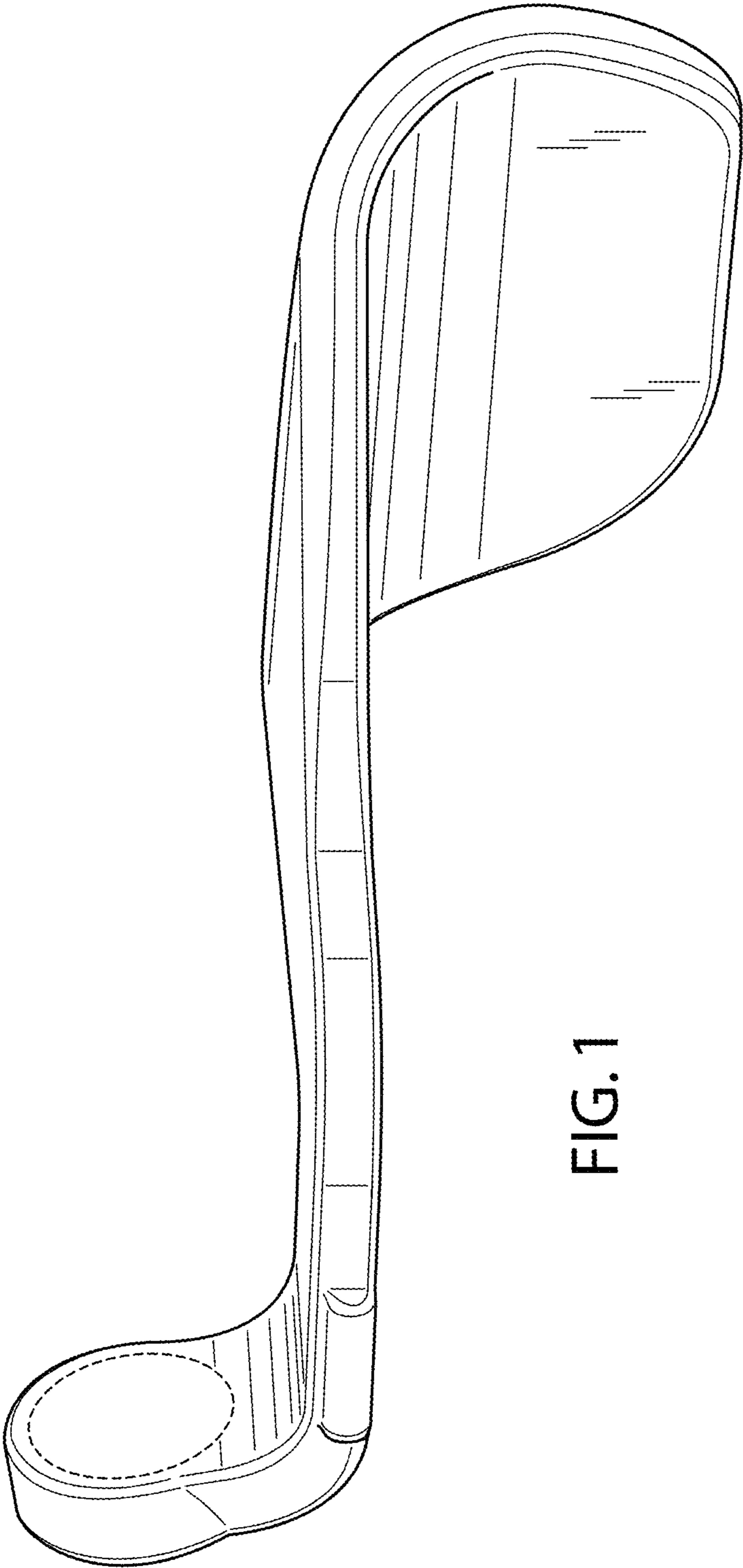


FIG. 1

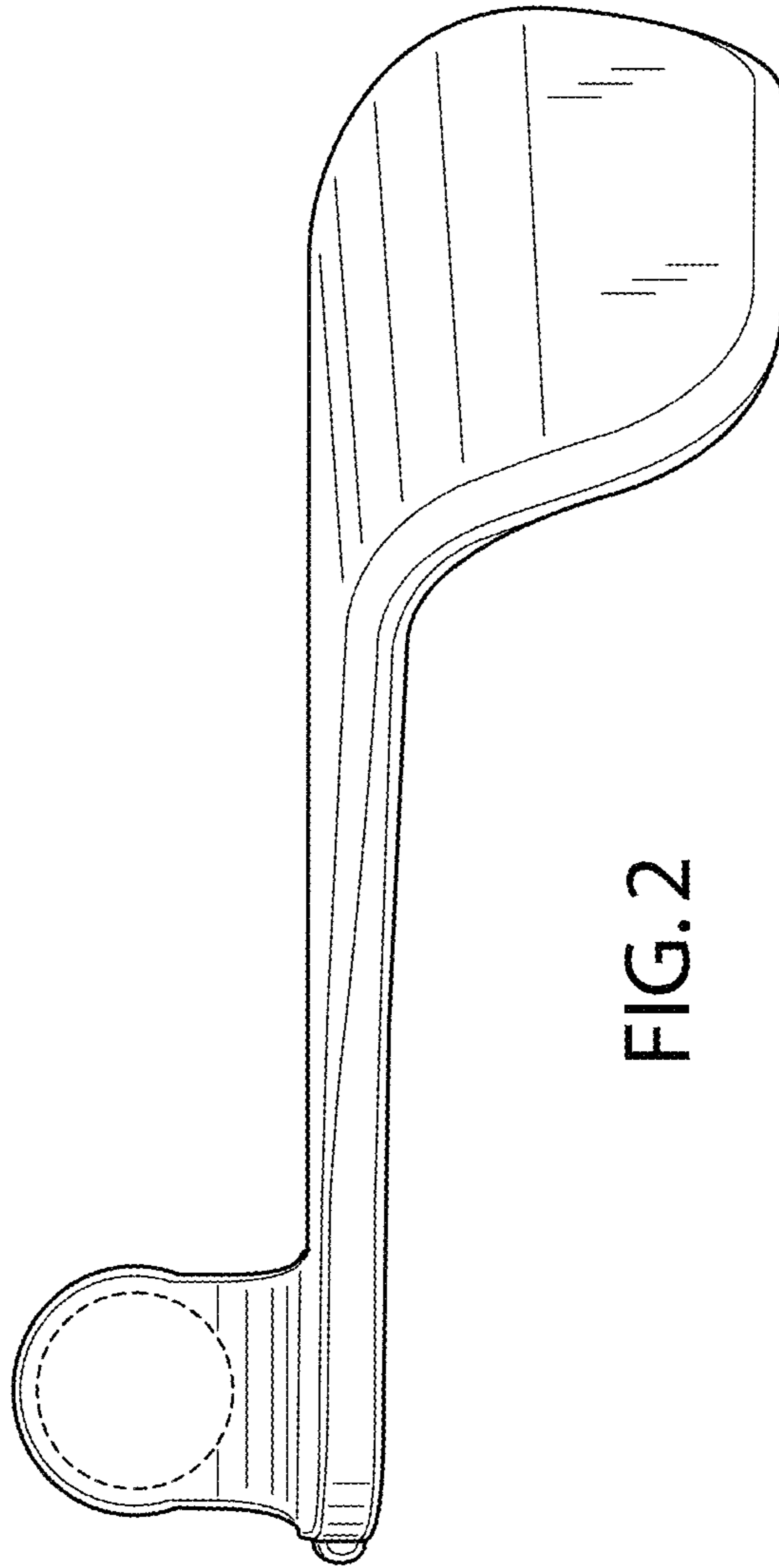


FIG. 2

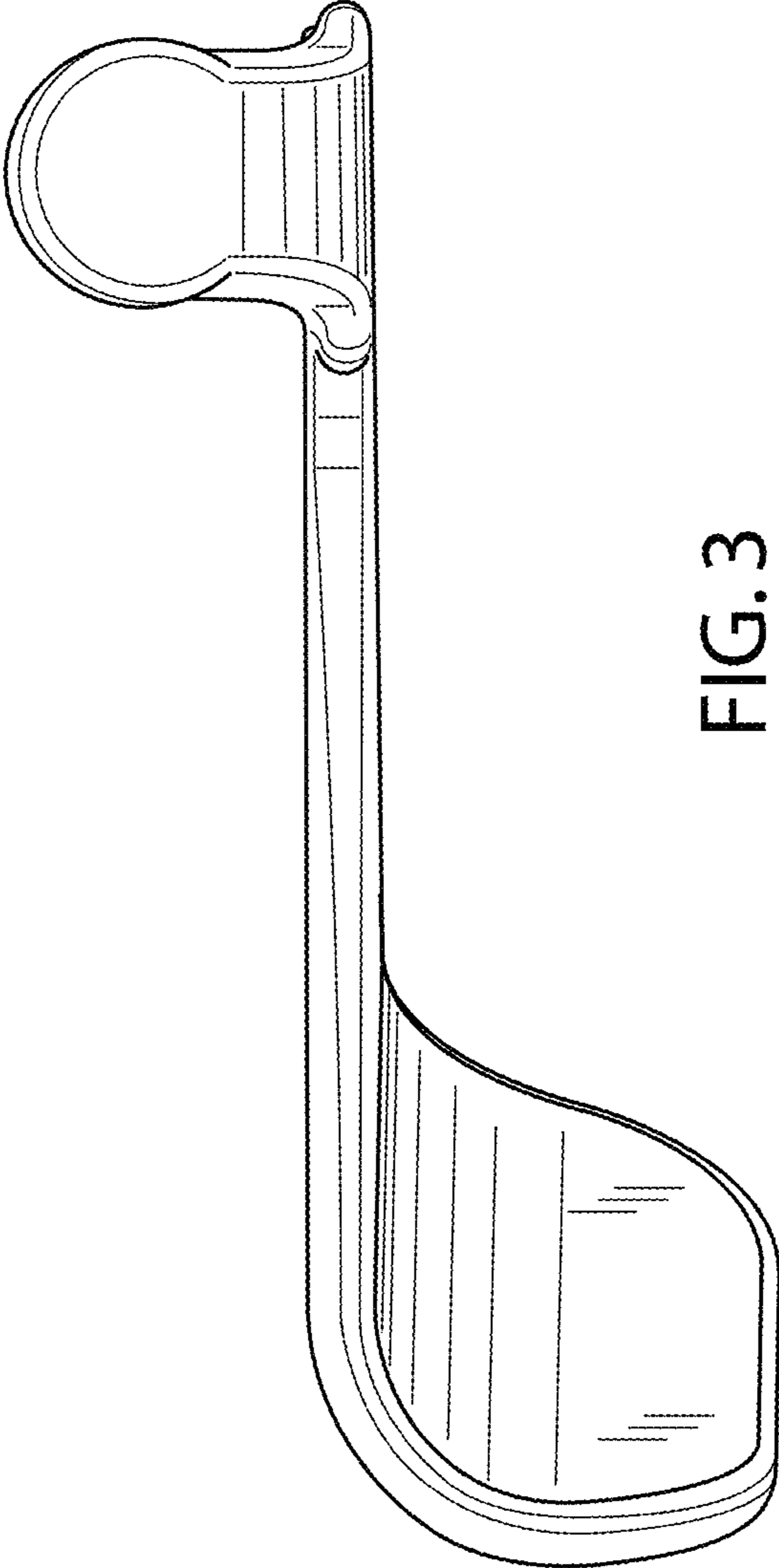


FIG. 3

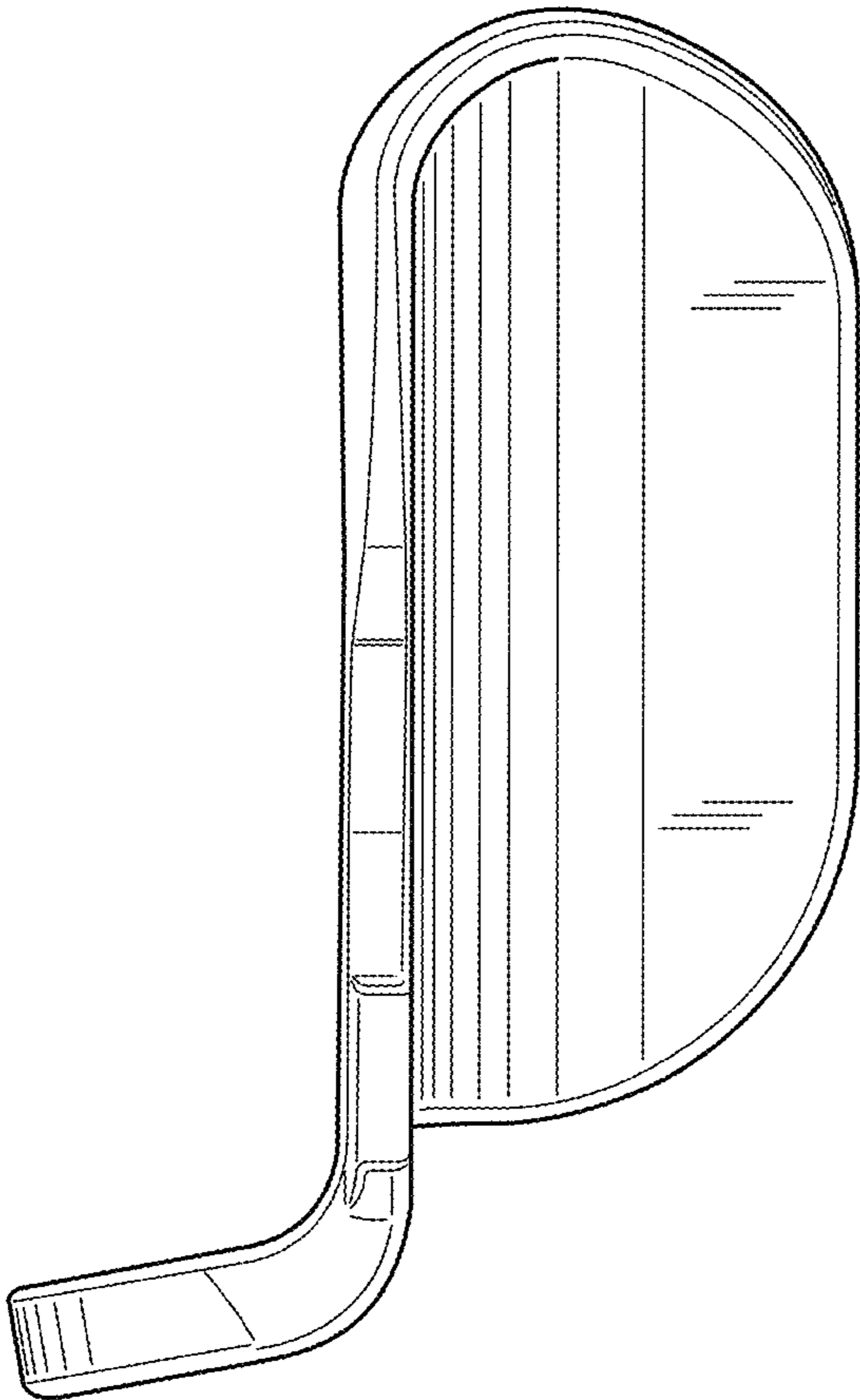


FIG. 4

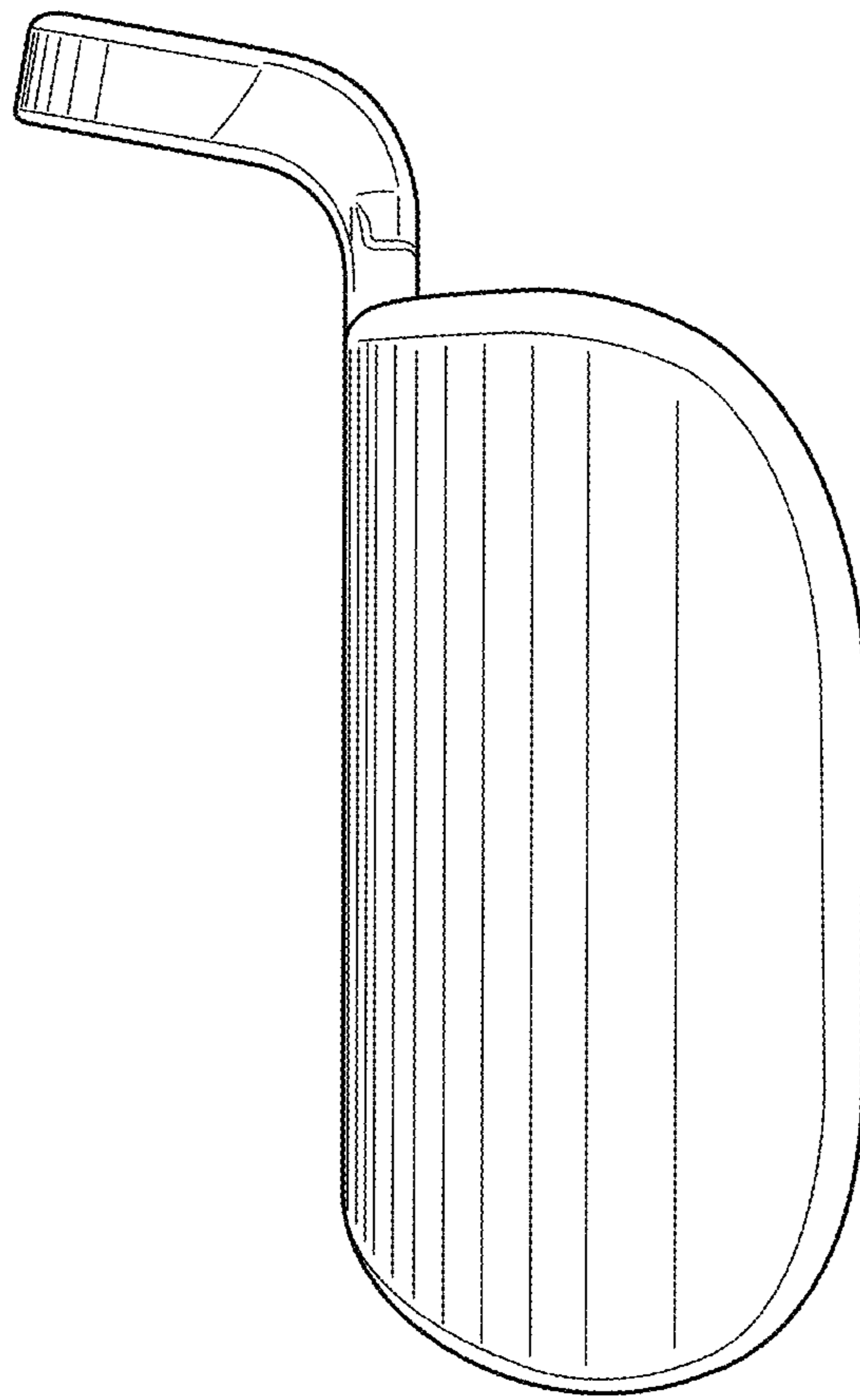


FIG. 5

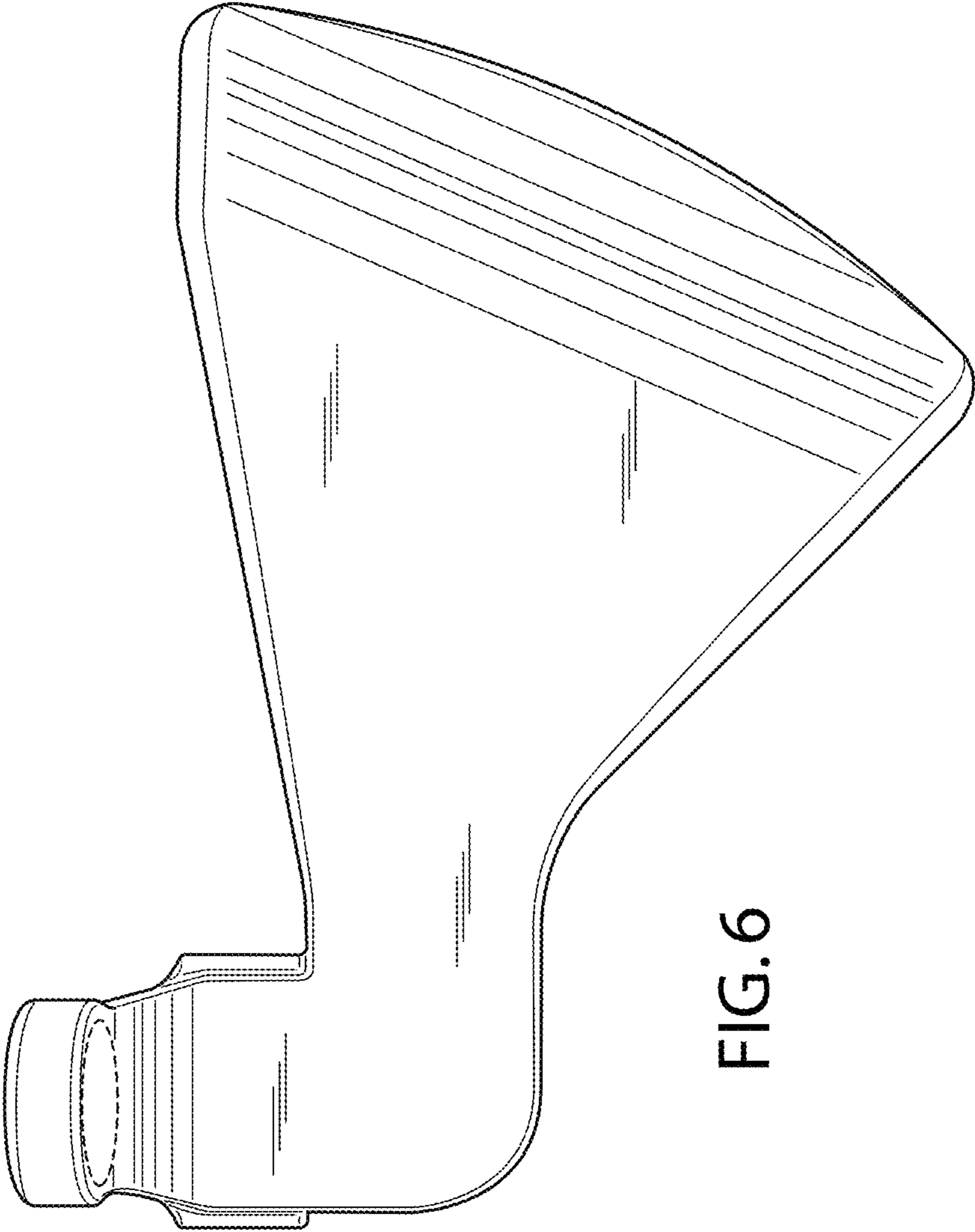


FIG. 6

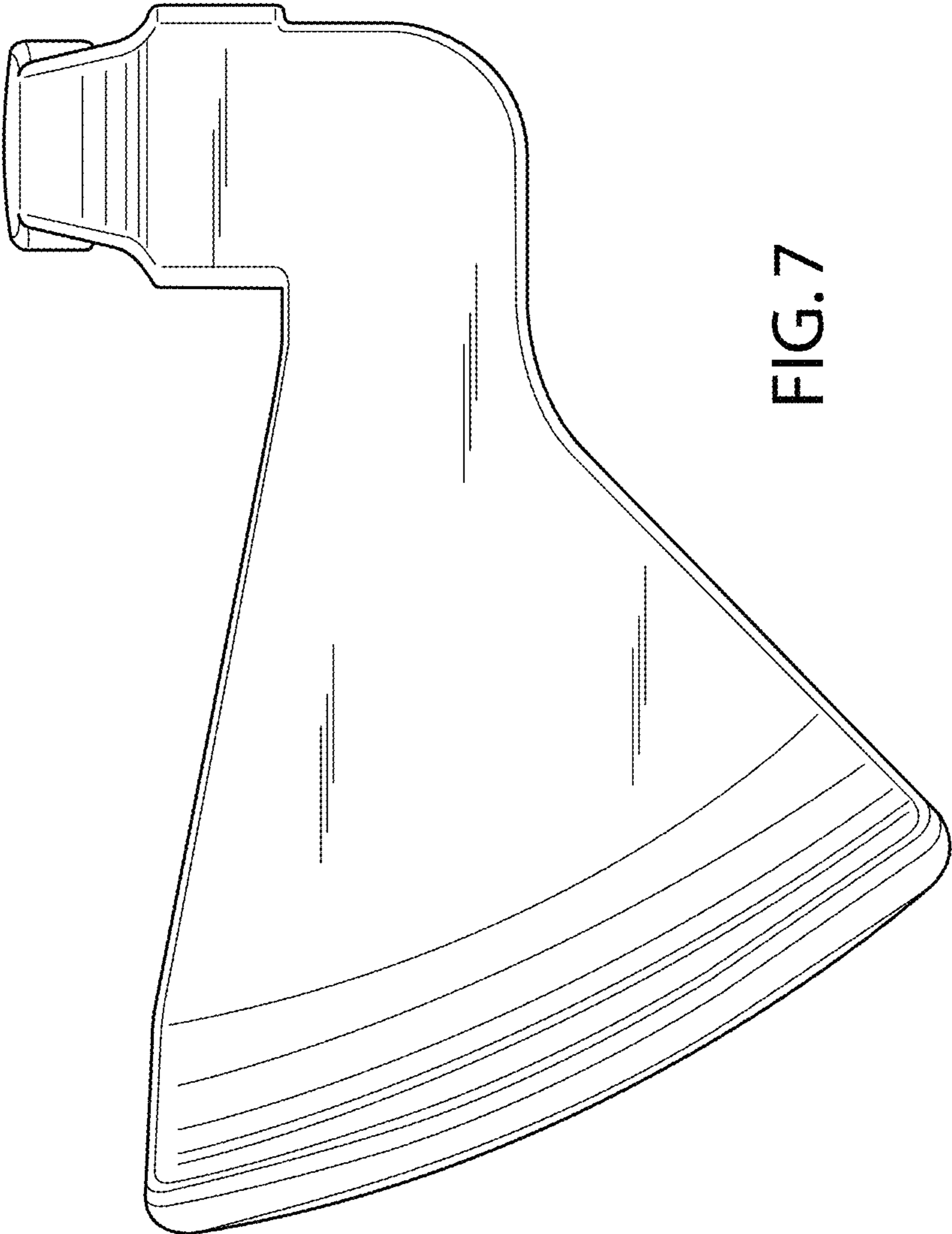


FIG. 7

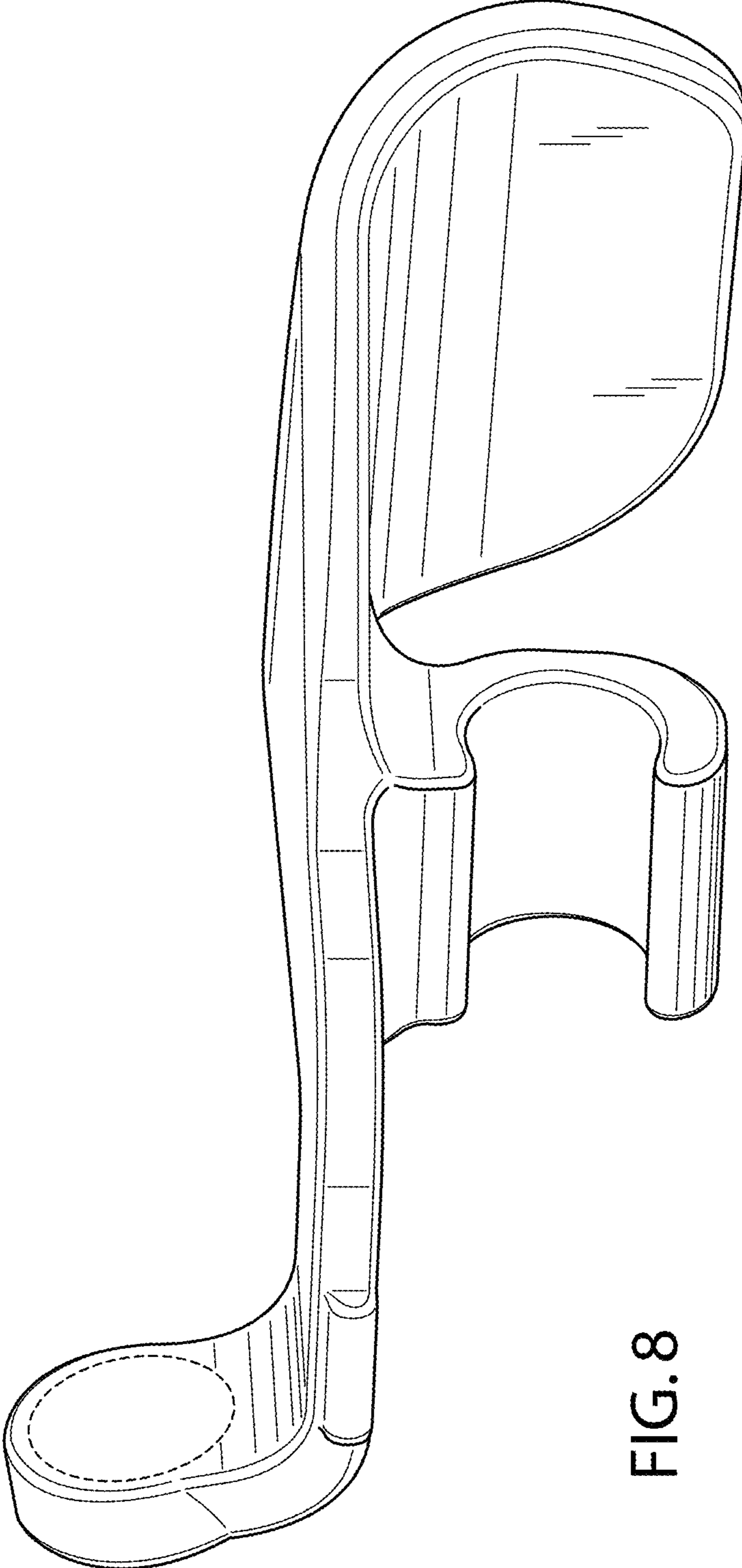


FIG. 8

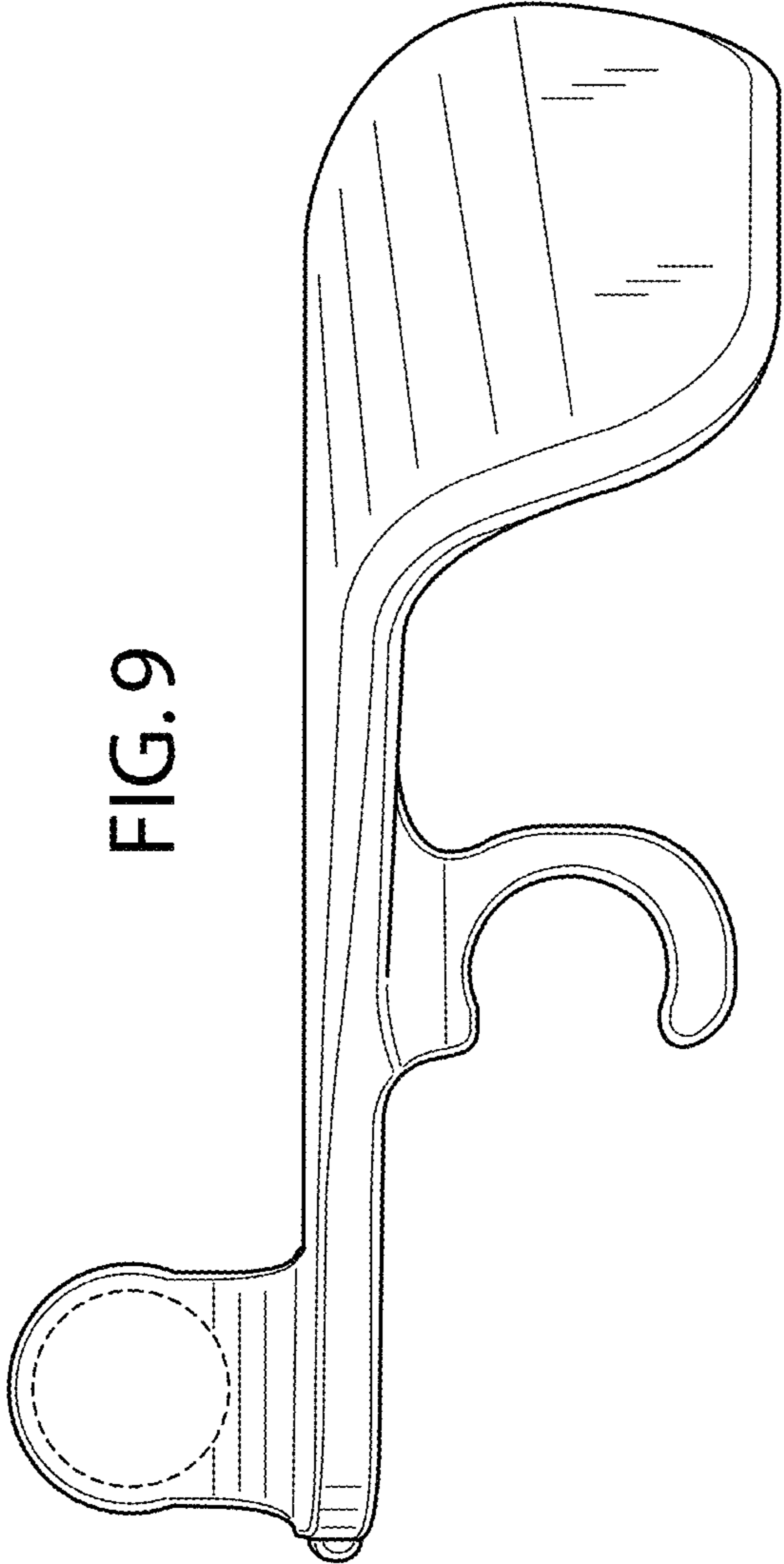


FIG. 9

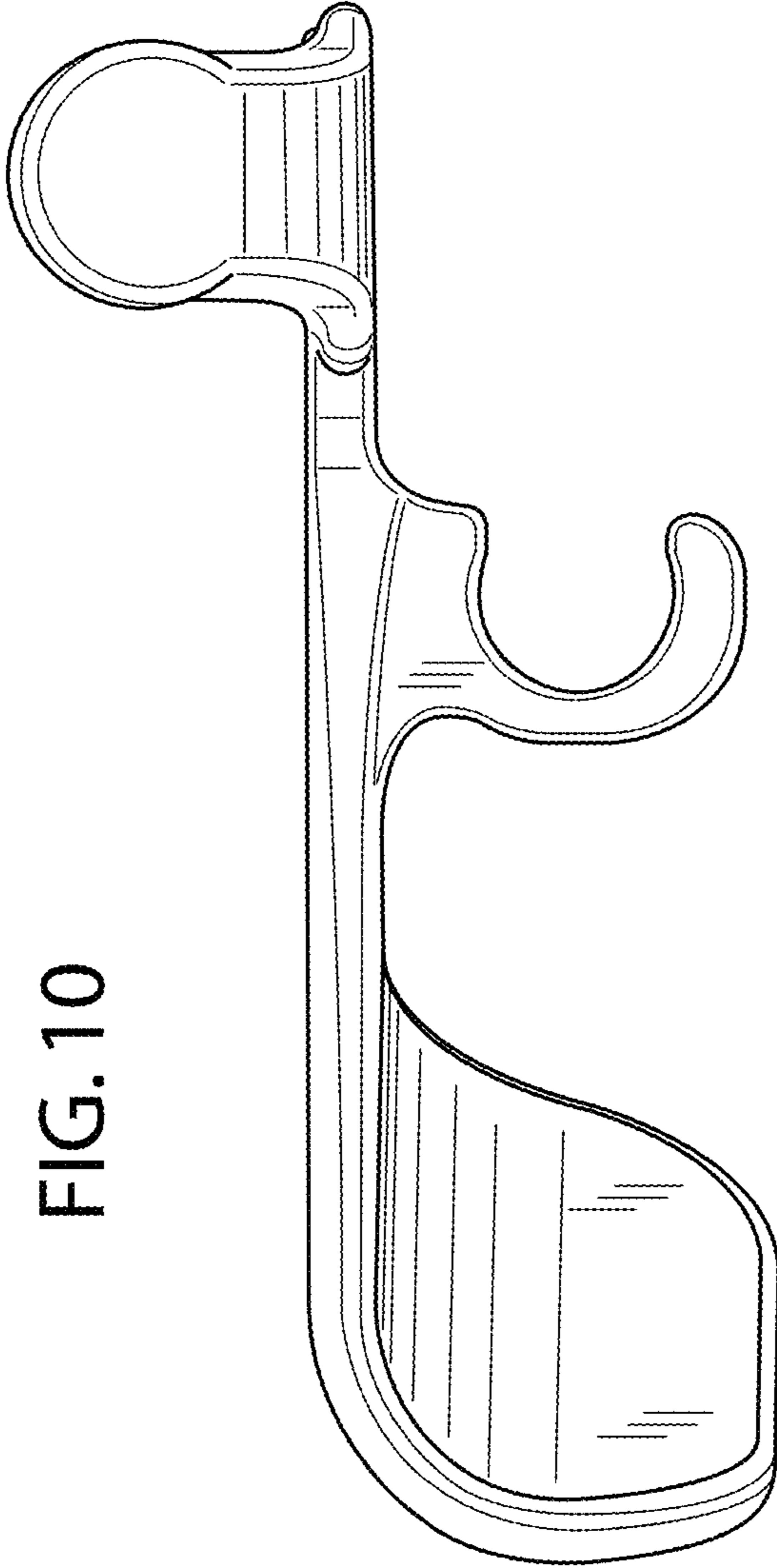


FIG. 10

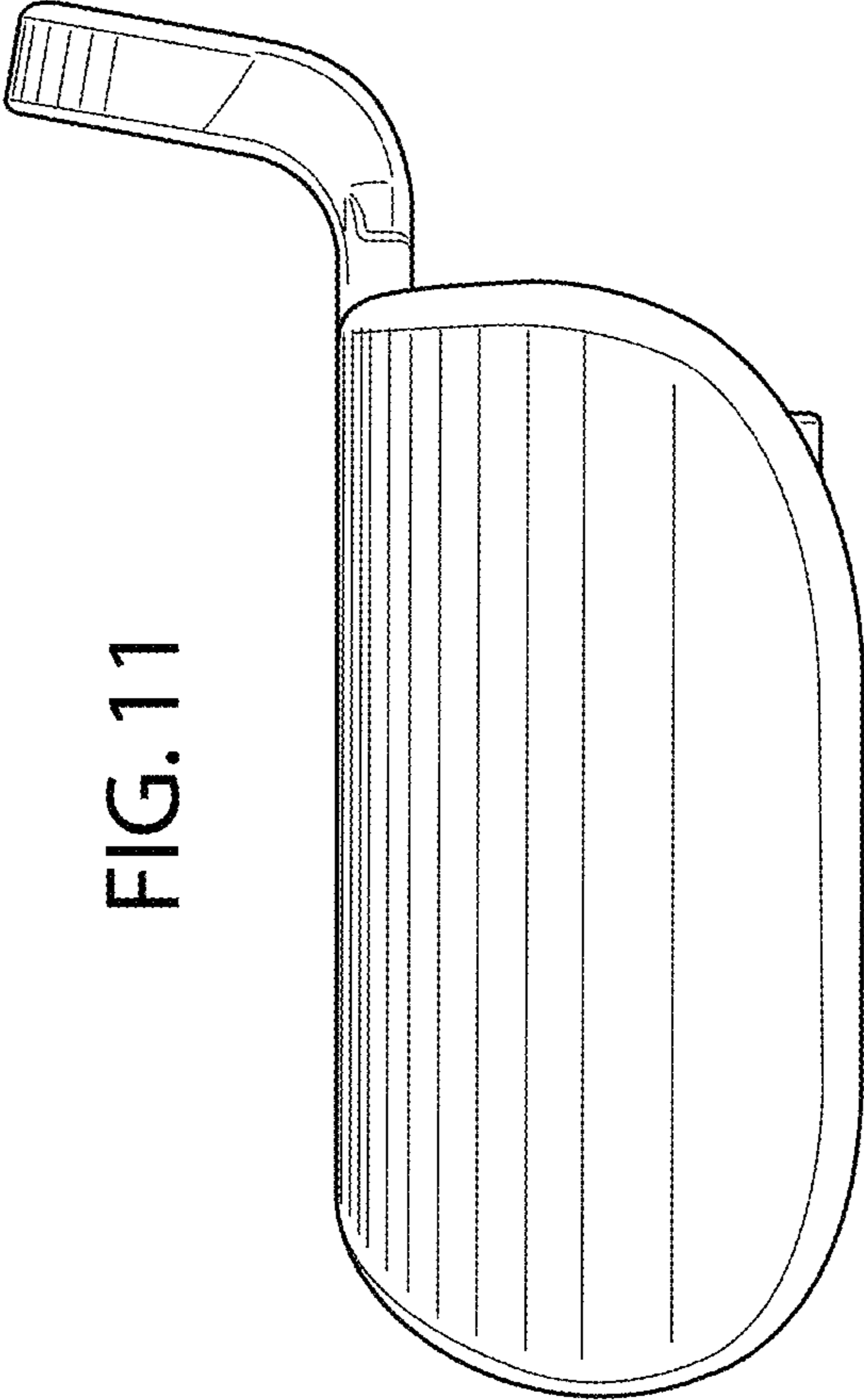


FIG. 11

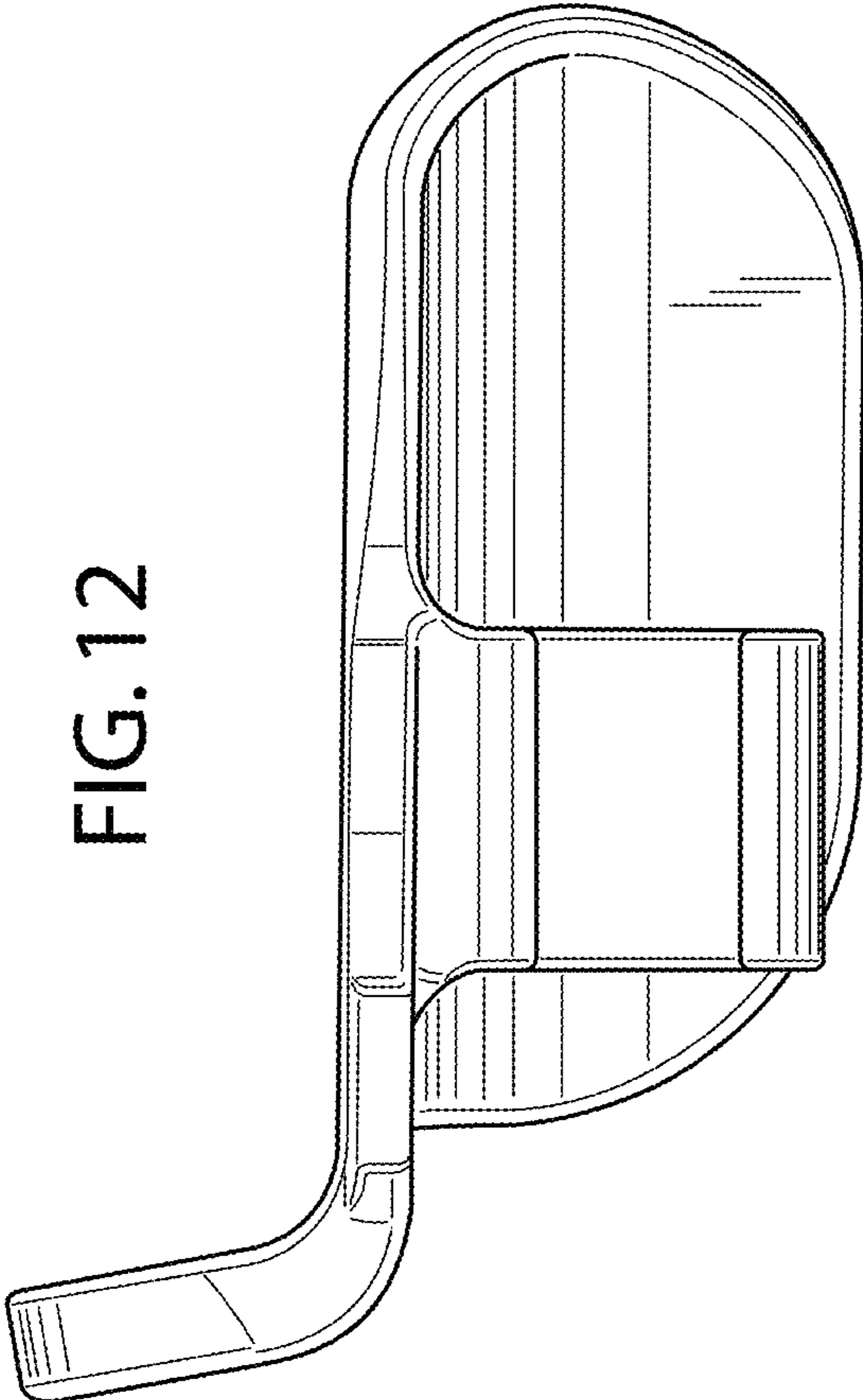


FIG. 12

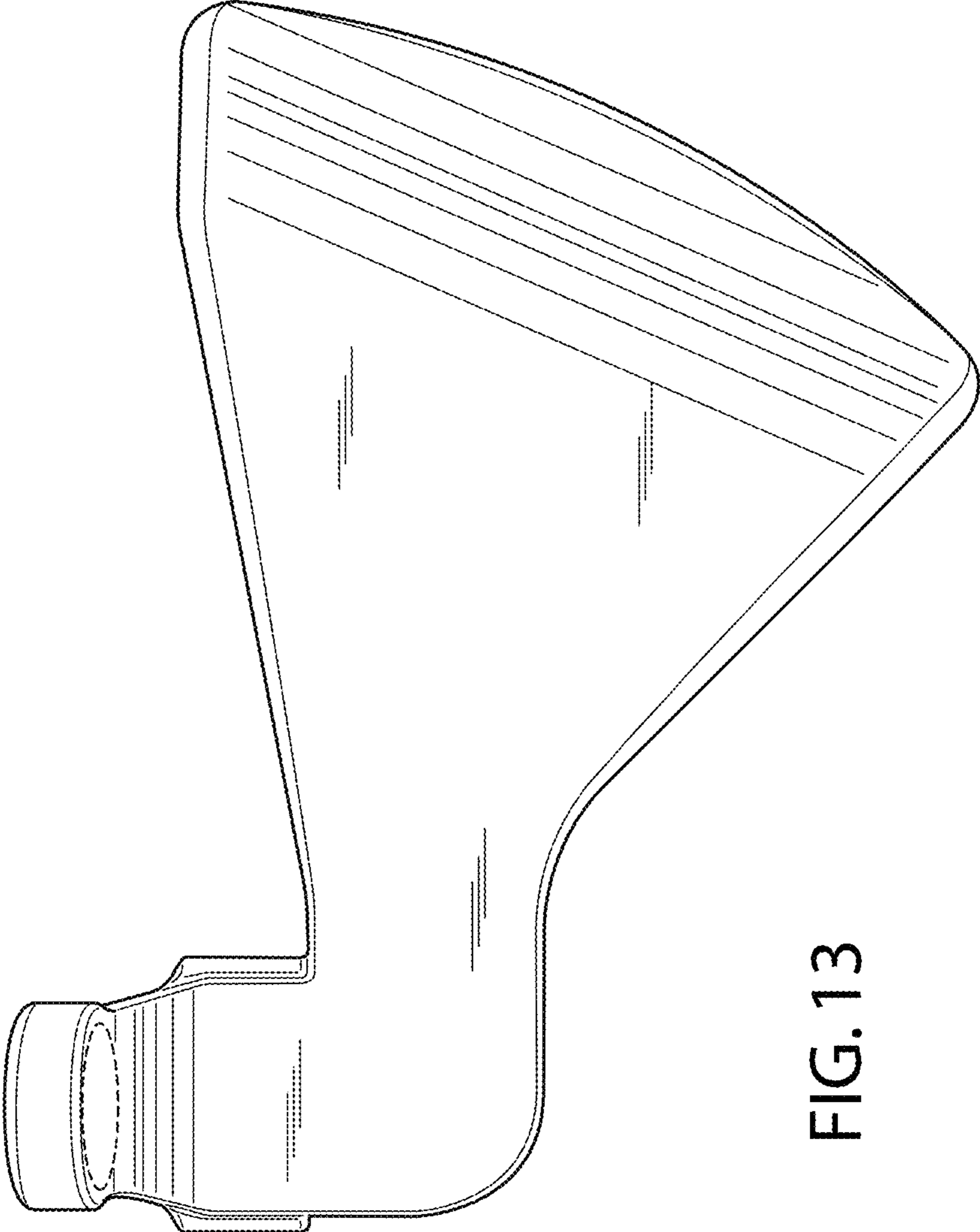


FIG. 13

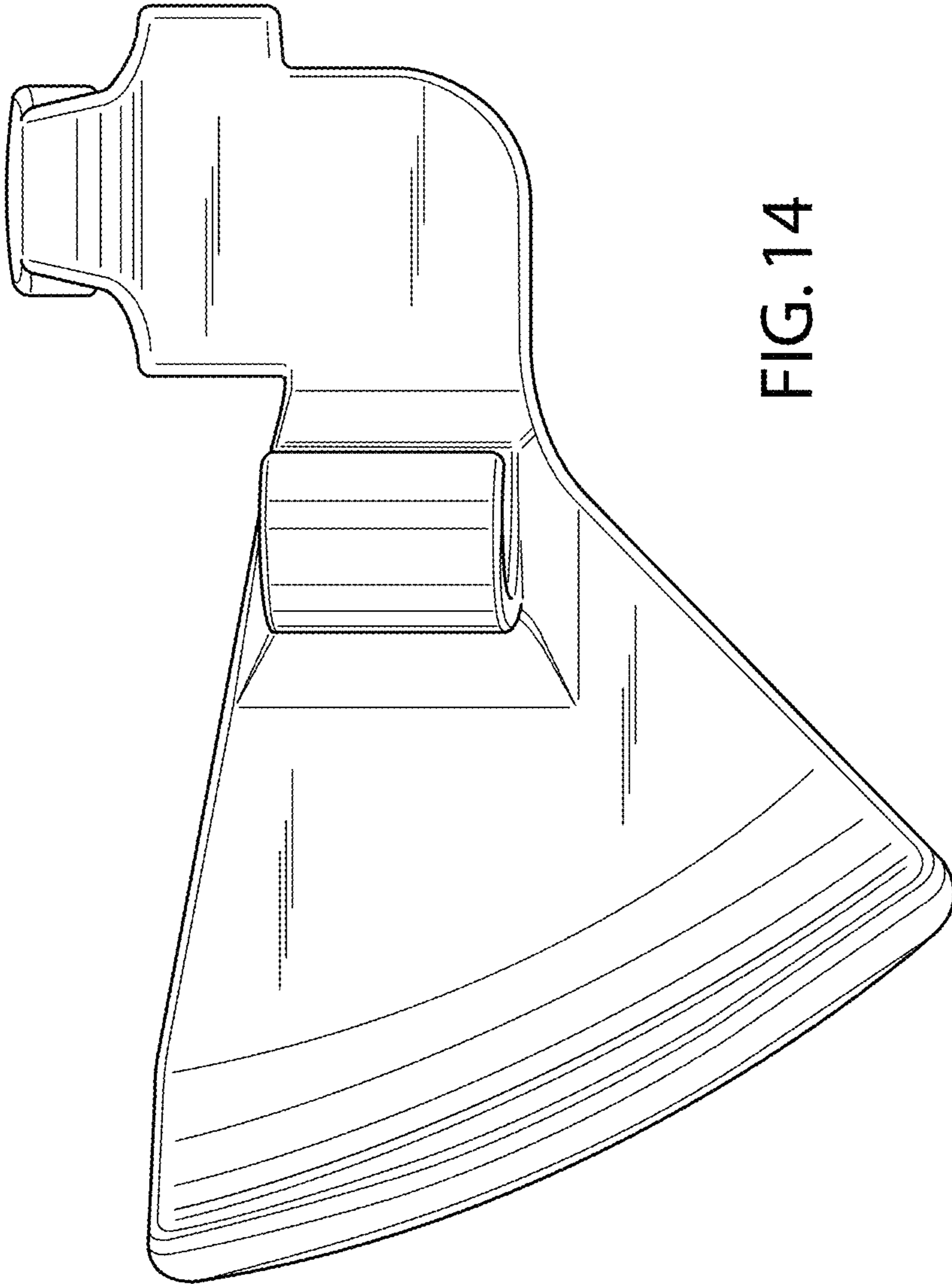


FIG. 14