



US00D817491S

(12) **United States Design Patent**
Khmelevskaya et al.

(10) **Patent No.:** **US D817,491 S**
(45) **Date of Patent:** **** May 8, 2018**

(54) **MEDICAL FASTENING DEVICE**
(71) Applicant: **Harry Frydenberg**, Richmond (AU)
(72) Inventors: **Irina Yu Khmelevskaya**, Moscow (RU); **Elena P. Ryklina**, Moscow (RU); **Sergey Prokoshkin**, Moscow (RU); **Artem Nikolaevich Chernov-Kharaev**, Moscow (RU); **Khristina A. Polyakova**, Moscow (RU); **Anna Nosochenko**, Moscow (RU); **Harry B. Frydenberg**, Richmond (AU)

(73) Assignee: **Harry Frydenberg**, Richmond (AU)

(**) Term: **15 Years**

(21) Appl. No.: **29/585,684**

(22) Filed: **Nov. 28, 2016**

(30) **Foreign Application Priority Data**

May 27, 2016 (AU) 201612825

(51) **LOC (11) Cl.** **24-02**

(52) **U.S. Cl.**
USPC **D24/145**

(58) **Field of Classification Search**
USPC D24/145, 133, 127; D11/120, 125, 157; D8/42, 72, 394
CPC A61B 17/0401; A61B 17/0469; A61B 17/0485; A61B 17/0487; A61B 17/06166; A61B 17/0642; A61B 17/083; A61B 17/064; A61B 17/0643; A61B 2017/0409; A61B 2017/0411; A61B 2017/06152
See application file for complete search history.

(56) **References Cited**

U.S. PATENT DOCUMENTS

D33,026 S * 7/1900 Walter D8/72
6,200,330 B1 * 3/2001 Benderev A61B 17/0401
411/358

7,303,577 B1 * 12/2007 Dean A61B 17/0401
606/151
7,625,373 B2 * 12/2009 Olroyd A61B 17/0401
606/74
D744,646 S * 12/2015 Nering D24/145
D754,855 S * 4/2016 Nering A61B 17/064
D24/145
9,439,646 B2 * 9/2016 Chin A61B 17/0401
9,757,119 B2 * 9/2017 Norton A61B 17/0401
9,788,827 B2 * 10/2017 Miksza A61B 17/0401
2012/0083838 A1 * 4/2012 Okoniewski A61B 17/0401
606/228
2012/0271331 A1 * 10/2012 To A61B 17/0401
606/151

* cited by examiner

Primary Examiner — Wan Laymon

(74) *Attorney, Agent, or Firm* — Banner & Witcoff, Ltd.

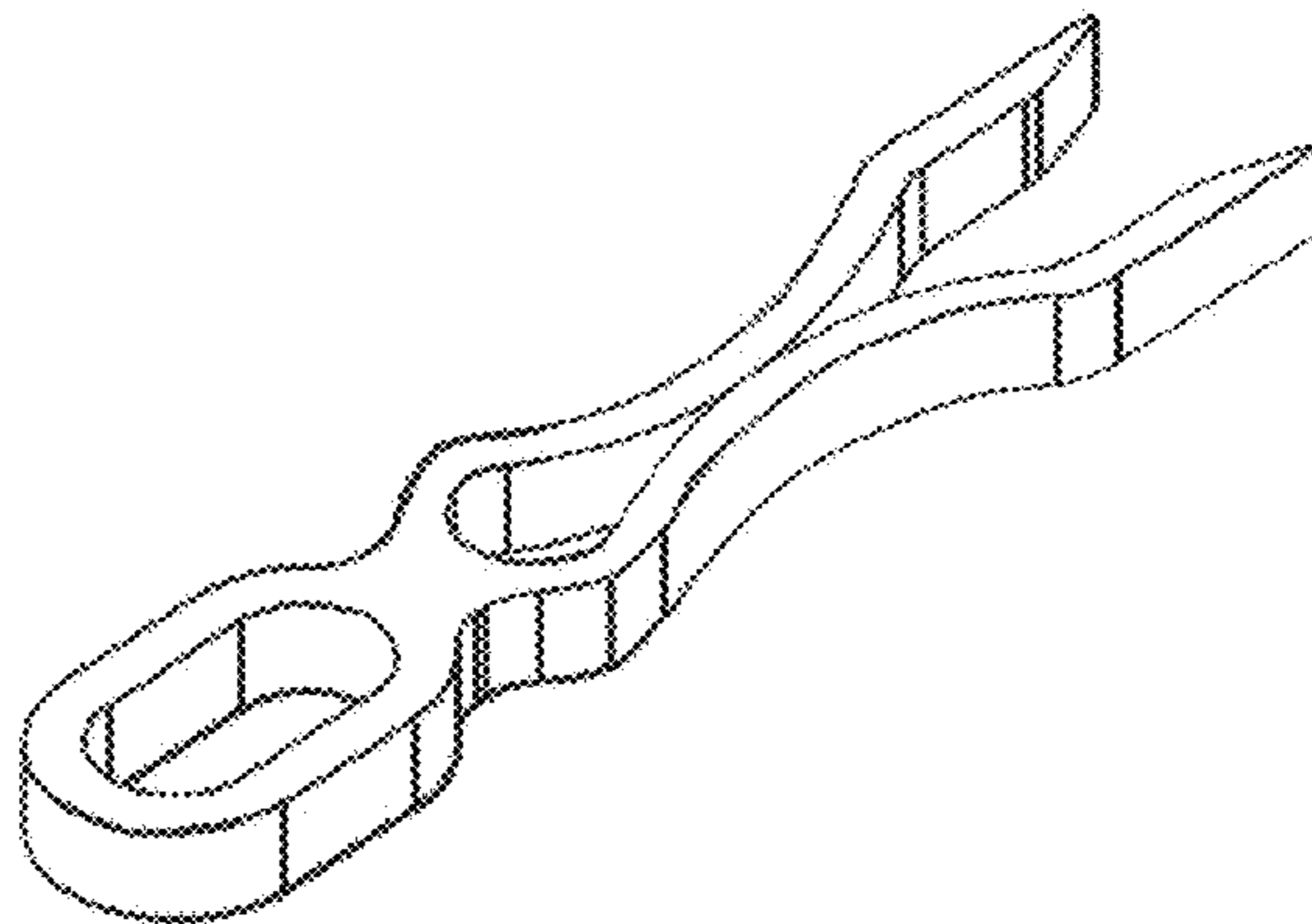
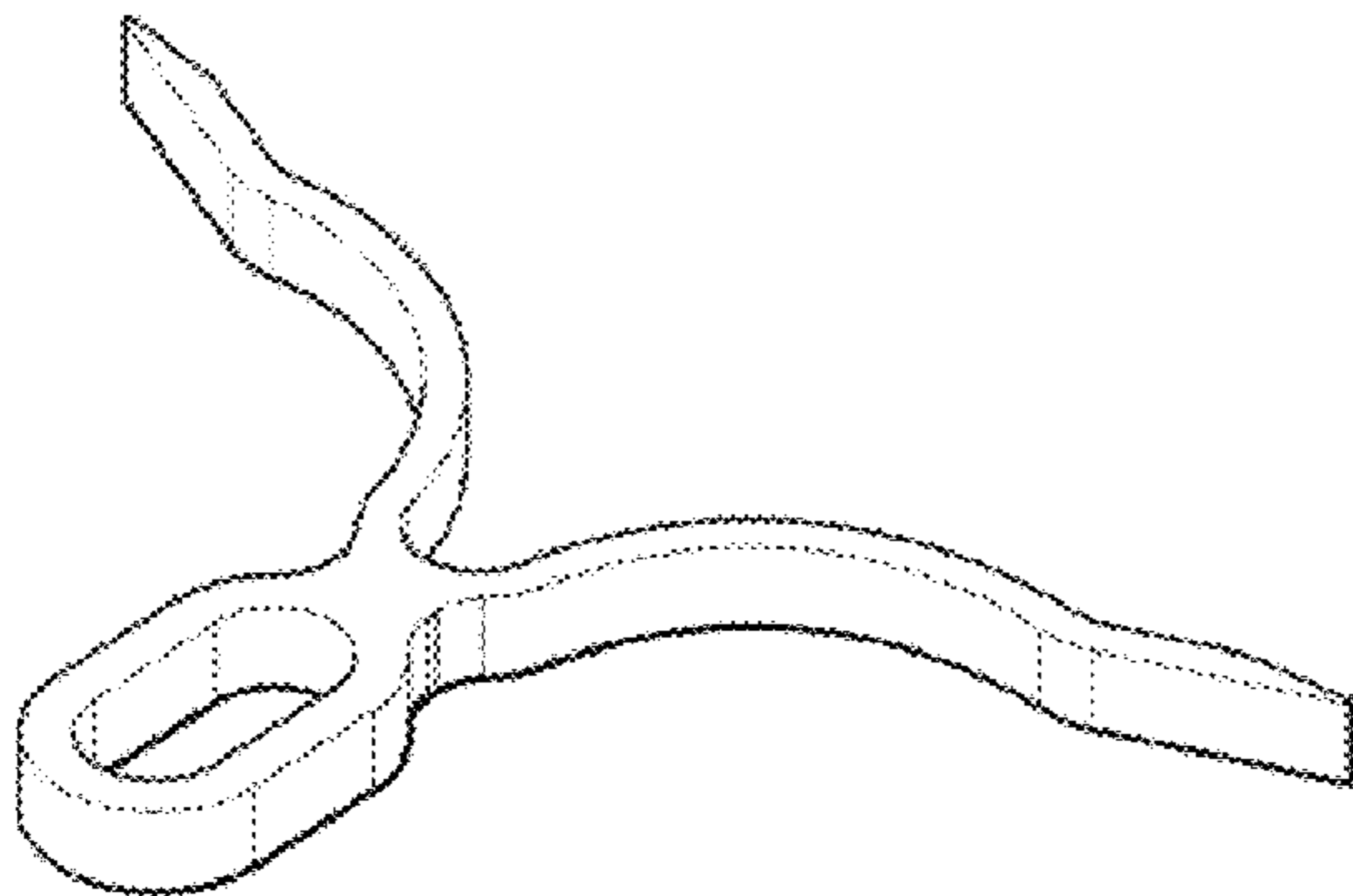
(57) **CLAIM**

The ornamental design for a medical fastening device, as shown and described.

DESCRIPTION

FIG. 1 is a right perspective view of the medical fastening device with its legs in an open configuration, the left perspective view being a mirror image thereof;
FIG. 2 is a top view of the medical fastening device with its legs in the open configuration, the bottom view being a mirror image thereof;
FIG. 3 is a right perspective view of the medical fastening device with its legs in a closed configuration, the left perspective view being a mirror image thereof; and,
FIG. 4 is a top view of the medical fastening device with its legs in the closed configuration, the bottom view being a mirror image thereof.

1 Claim, 4 Drawing Sheets



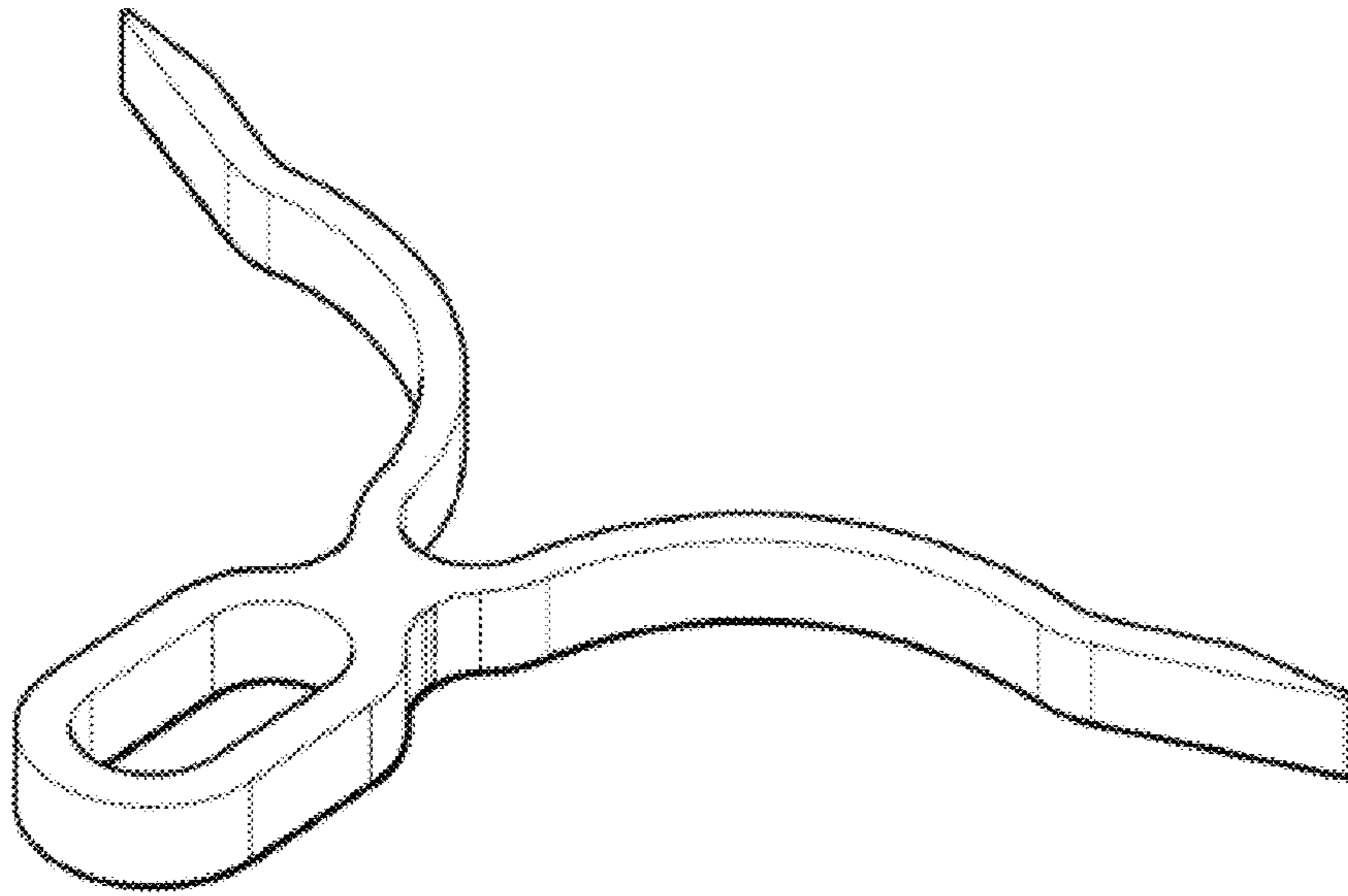


FIG. 1

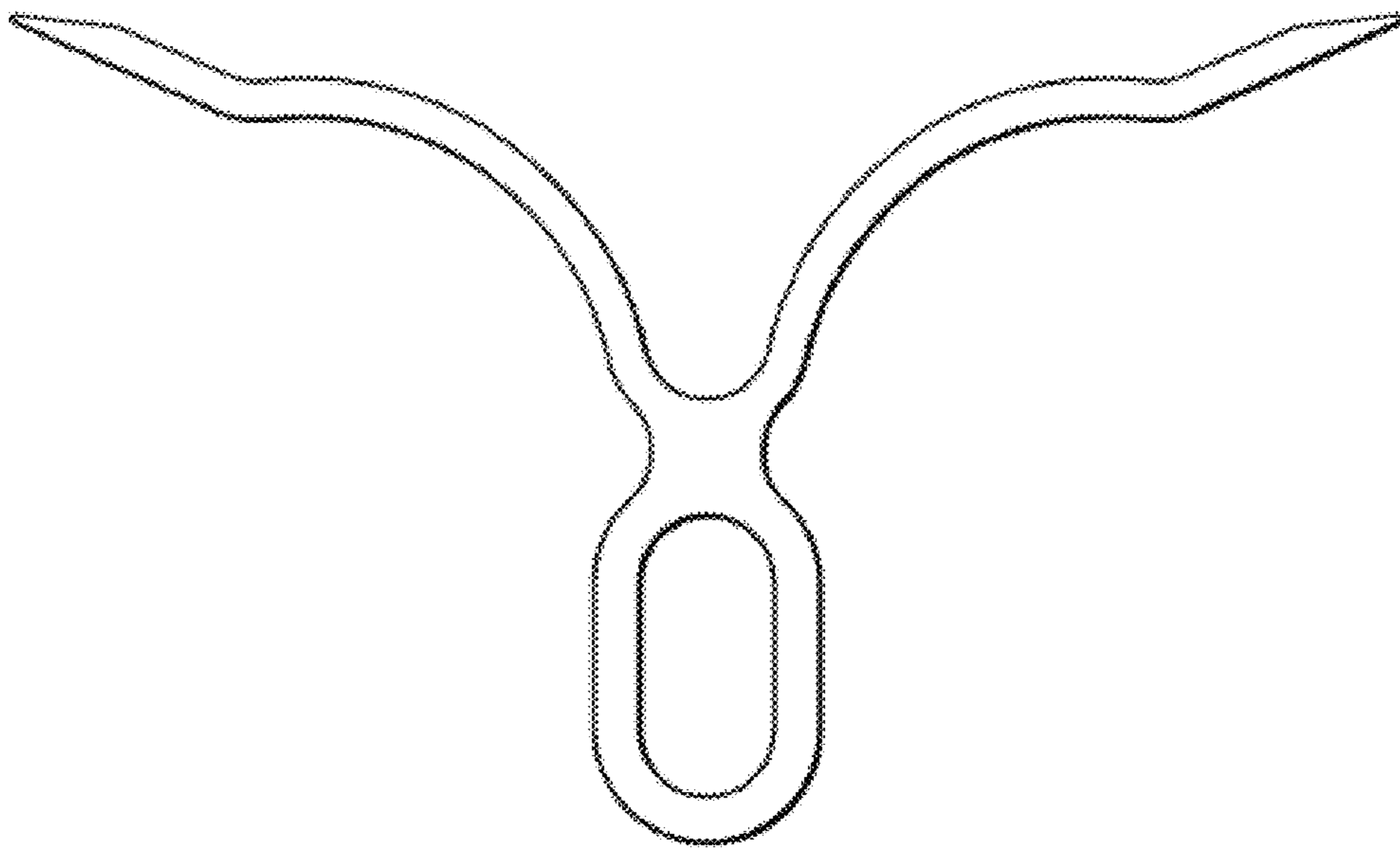


FIG. 2

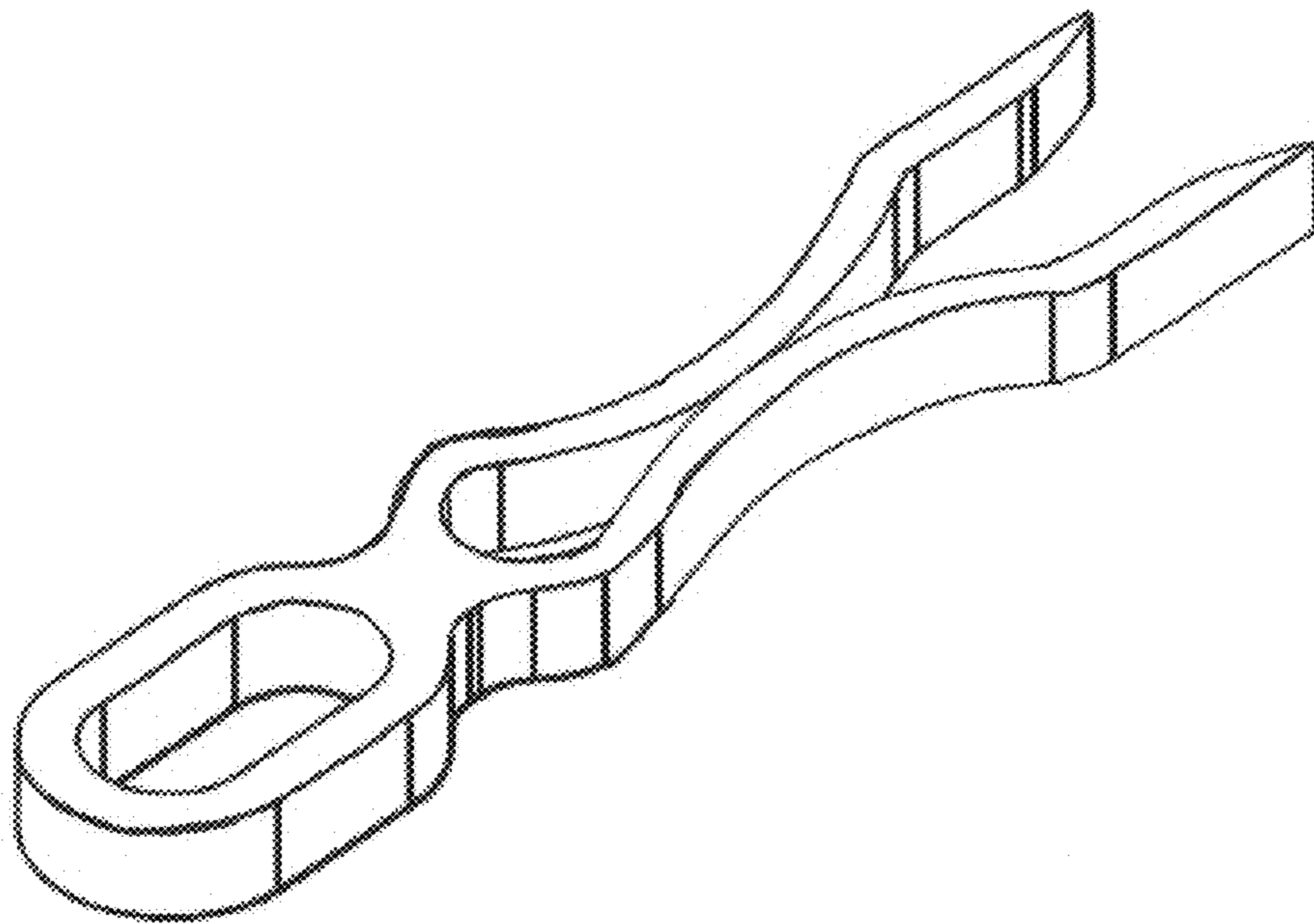


FIG. 3

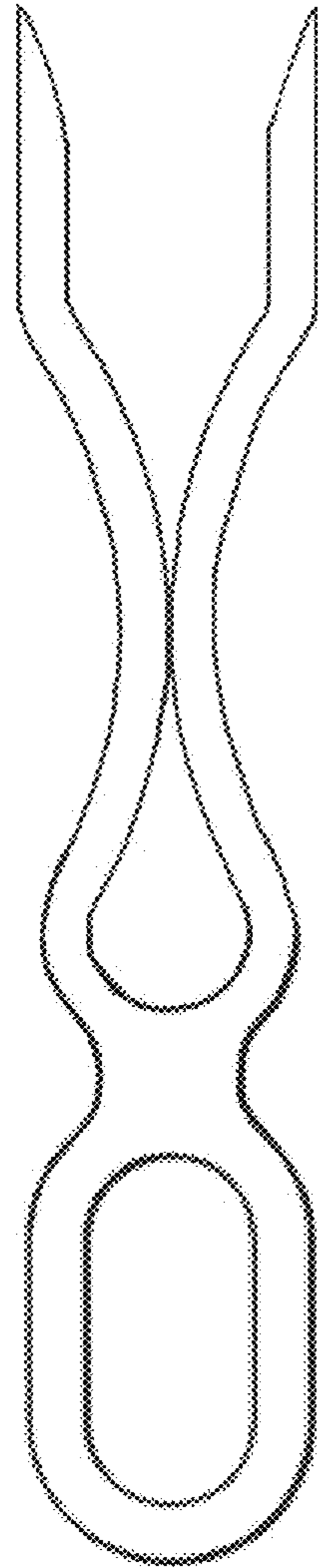


FIG. 4