



US00D817490S

(12) **United States Design Patent**  
**Buell et al.**

(10) **Patent No.:** **US D817,490 S**  
(45) **Date of Patent:** **\*\* May 8, 2018**

(54) **TELESCOPING PLUNGER**  
(71) Applicant: **Edgewell Personal Care Brands, LLC**, St. Louis, MO (US)  
(72) Inventors: **Sezen Buell**, Waldwick, NJ (US); **Joseph Fedora**, South Acworth, NH (US); **James McCandless**, Durham, CT (US); **Hassan Mohamed**, Bayonne, NJ (US); **Peter Preisner**, Quinton, VA (US)

4,125,113 A \* 11/1978 Morman ..... A61F 13/26  
604/227  
5,041,080 A \* 8/1991 Shimatani ..... A61F 13/263  
604/11  
7,963,934 B2 \* 6/2011 Morrow ..... A61F 13/26  
206/438  
8,458,882 B2 \* 6/2013 Mastalish ..... A61F 13/26  
29/434  
9,427,361 B2 \* 8/2016 Buell ..... A61F 13/266  
D772,409 S \* 11/2016 Buell ..... D24/141  
2015/0065942 A1 \* 3/2015 De Soto-Burt ..... A61F 13/26  
604/15  
2016/0296379 A1 \* 10/2016 Brown ..... A61F 13/266

(73) Assignee: **Edgewell Personal Care Brands, LLC**, Chesterfield, MO (US)

\* cited by examiner

(\*\*) Term: **15 Years**

*Primary Examiner* — Wan Laymon

(21) Appl. No.: **29/581,915**

(74) *Attorney, Agent, or Firm* — Edgewell Personal Care Brands, LLC

(22) Filed: **Oct. 24, 2016**

**Related U.S. Application Data**

(63) Continuation of application No. 29/545,073, filed on Nov. 9, 2015, now Pat. No. Des. 787,673.

(51) **LOC (11) Cl.** ..... **24-02**

(52) **U.S. Cl.**  
USPC ..... **D24/141**

(58) **Field of Classification Search**  
USPC ..... D24/114, 141  
CPC .. A61F 13/26; A61F 13/2051; A61F 13/2097;  
A61F 13/263; A61F 13/266; A61F 13/20;  
A61F 13/55185  
See application file for complete search history.

(56) **References Cited**

**U.S. PATENT DOCUMENTS**

3,983,868 A \* 10/1976 Ring ..... A61F 13/26  
604/15  
4,048,998 A \* 9/1977 Nigro ..... A61F 13/263  
604/14

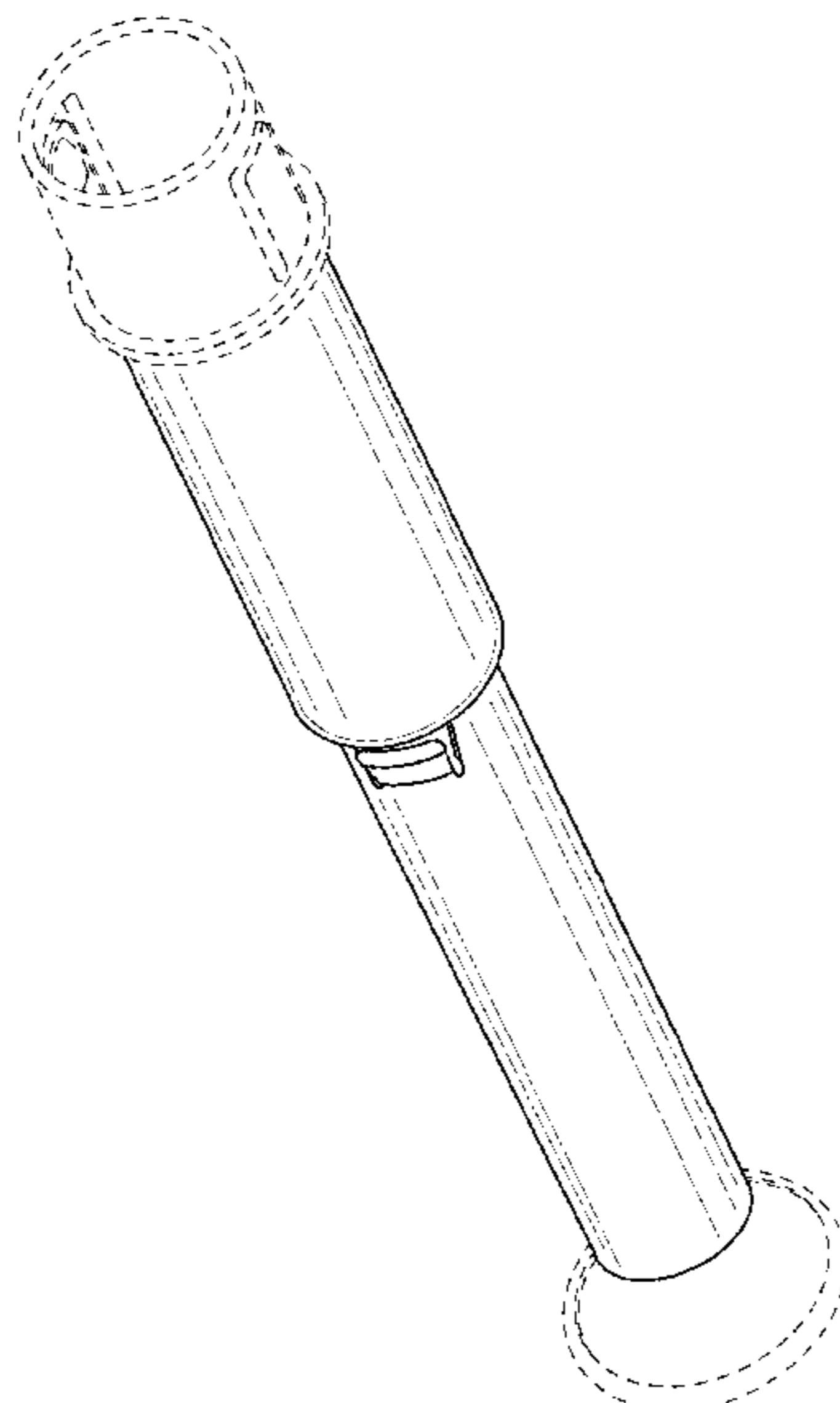
(57) **CLAIM**

We claim the ornamental design for the telescoping plunger, as shown and described.

**DESCRIPTION**

FIG. 1 is a front perspective view of the telescoping plunger where the plunger is in an extended position.  
FIG. 2 is a front view of FIG. 1.  
FIG. 3 is a right side view of FIG. 2.  
FIG. 4 is a back side view of FIG. 2.  
FIG. 5 is a left side view of FIG. 2.  
FIG. 6 is a top view thereof; and,  
FIG. 7 is a bottom view thereof.  
The broken lines in the figures depict environmental subject matter only and form no part of the claimed design.

**1 Claim, 3 Drawing Sheets**



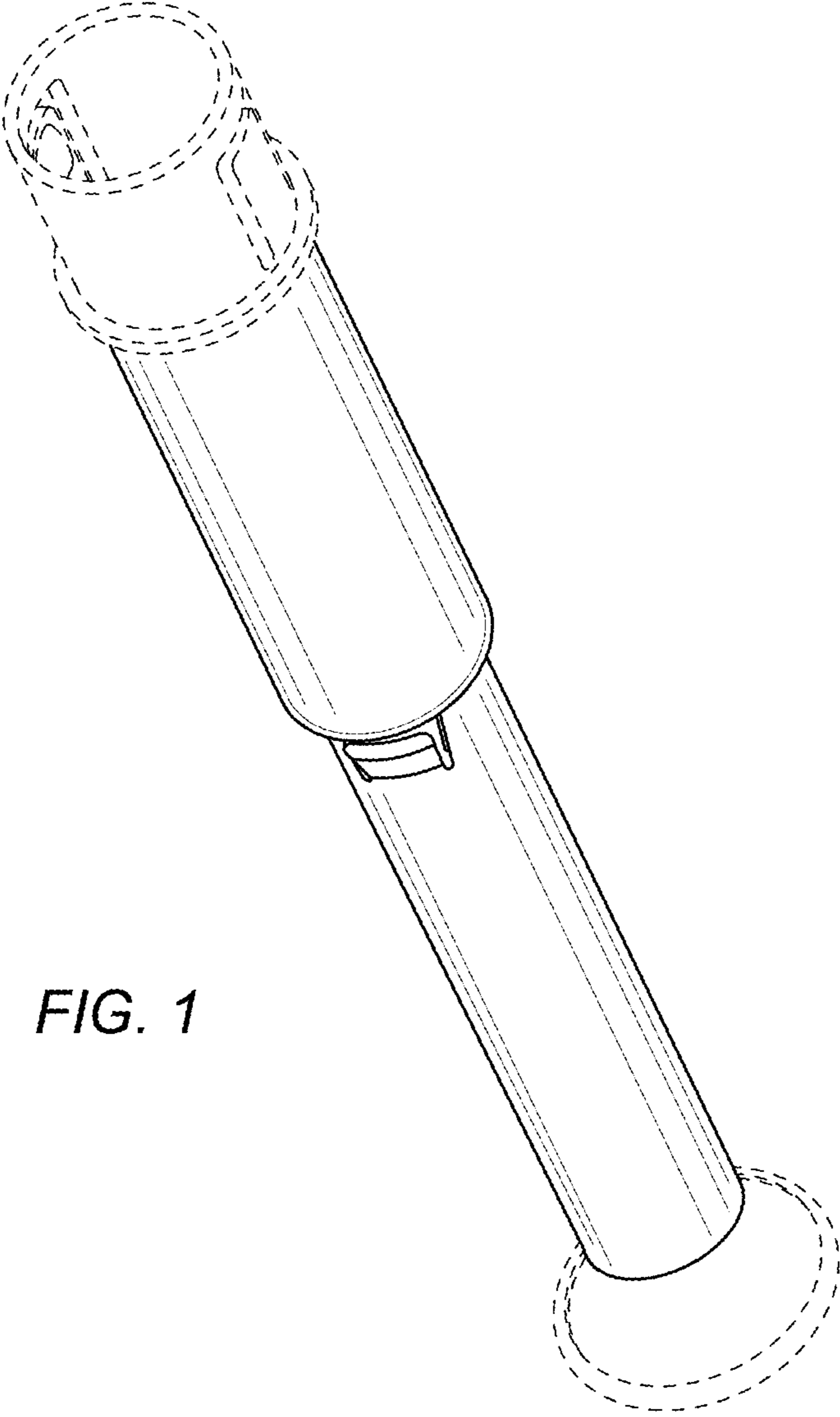


FIG. 1

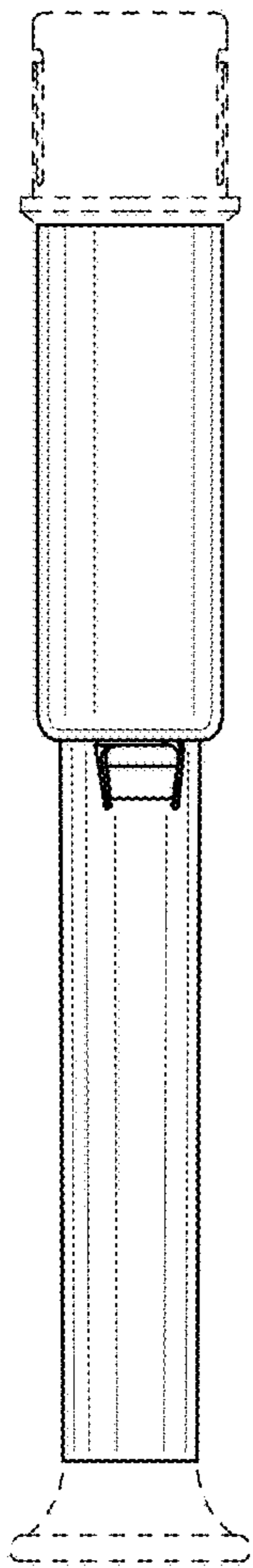


FIG. 2

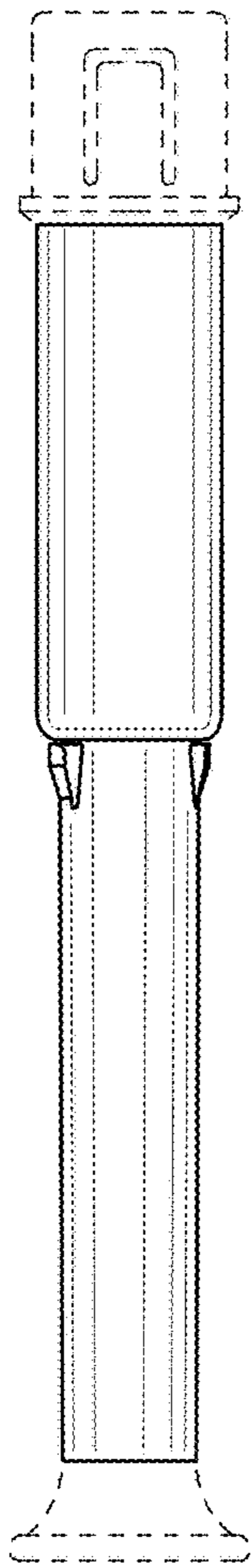


FIG. 3

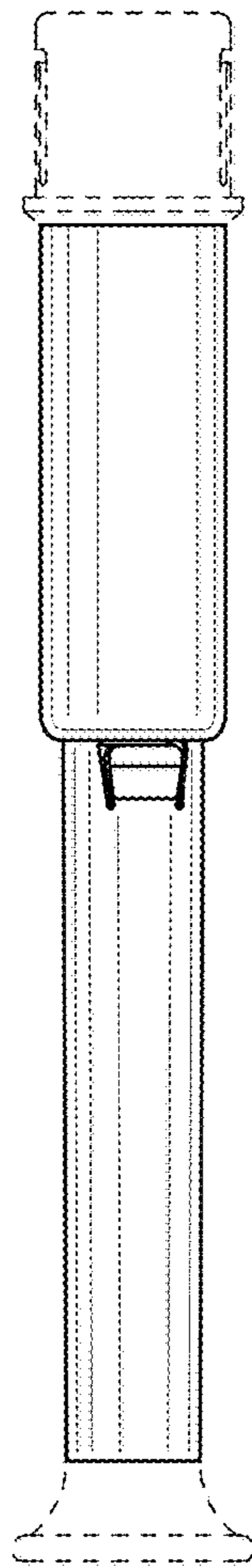


FIG. 4

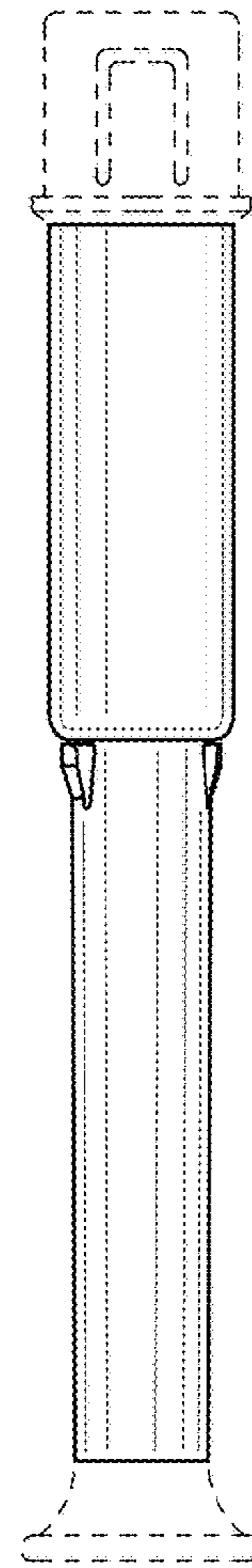
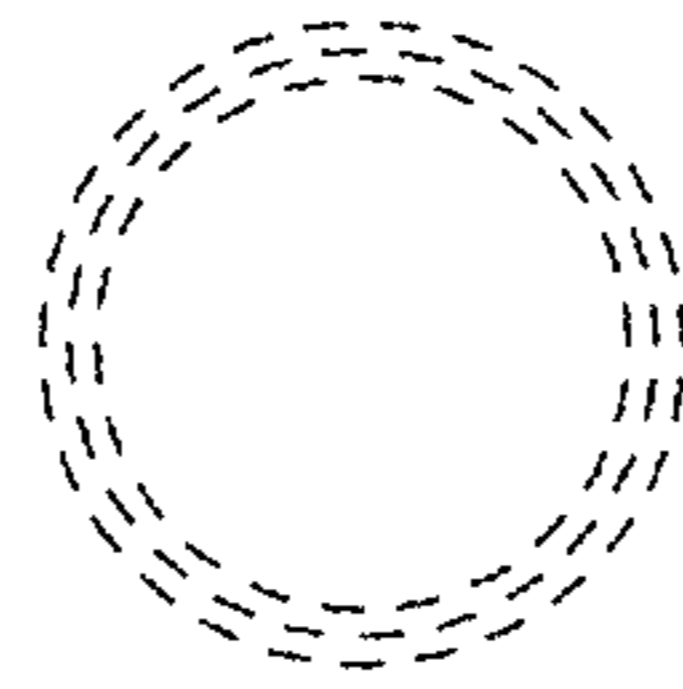
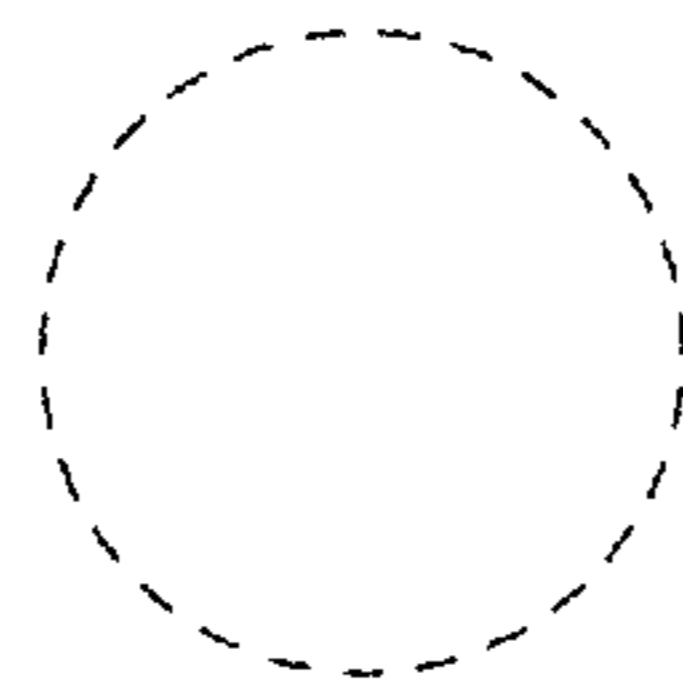


FIG. 5



*FIG. 6*



*FIG. 7*