



US00D817486S

(12) **United States Design Patent** (10) **Patent No.:** **US D817,486 S**  
**Corato et al.** (45) **Date of Patent:** **\*\* May 8, 2018**

(54) **LINE MANAGEMENT DEVICE FOR  
RETAINING AND POSITIONING WIRES  
AND TUBES**

(71) Applicant: **JMC Global Technologies I, L.P.**,  
Keller, TX (US)

(72) Inventors: **Craig Douglas Corato**, Keller, TX  
(US); **Huy Phuong Nguyen**, Round  
Rock, TX (US); **Janalee Marie Corato**,  
Keller, TX (US)

(73) Assignee: **JMC GLOBAL TECHNOLOGIES I,  
L.P.**, Keller, TX (US)

(\*\*) Term: **15 Years**

(21) Appl. No.: **29/598,975**

(22) Filed: **Mar. 30, 2017**

**Related U.S. Application Data**

(63) Continuation of application No. 13/458,635, filed on  
Apr. 27, 2012.

(51) **LOC (11) Cl.** ..... **24-02**

(52) **U.S. Cl.**  
USPC ..... **D24/128**

(58) **Field of Classification Search**  
USPC ..... D24/127-131, 112, 186; 224/221;  
604/179, 231  
CPC .... A61M 5/42; A61M 25/0612; A61M 27/00;  
A61M 25/02  
See application file for complete search history.

(56) **References Cited**

**U.S. PATENT DOCUMENTS**

1,782,404 A 11/1930 Bowly et al.  
2,449,882 A 9/1948 Daniels  
3,059,645 A 10/1962 Hasbrouck et al.  
4,088,136 A 5/1978 Hasslinger et al.

4,316,461 A 2/1982 Marais et al.  
D271,160 S \* 11/1983 Sherwin ..... 224/221  
4,480,639 A 11/1984 Peterson et al.  
4,671,787 A 6/1987 Widman  
5,084,026 A 1/1992 Shapiro  
5,353,974 A \* 10/1994 Maurizio ..... A45F 5/00  
224/183  
5,395,343 A 3/1995 Iscovich  
5,397,639 A 3/1995 Tollini  
5,549,567 A \* 8/1996 Wolman ..... A61M 25/02  
128/DIG. 26  
5,690,617 A \* 11/1997 Wright ..... A61M 25/02  
128/DIG. 26  
5,876,371 A 3/1999 Yokoyama et al.  
(Continued)

*Primary Examiner* — David G Muller

(74) *Attorney, Agent, or Firm* — Edwin S. Flores; Daniel  
J. Chalker; Chalker Flores, LLP

(57) **CLAIM**

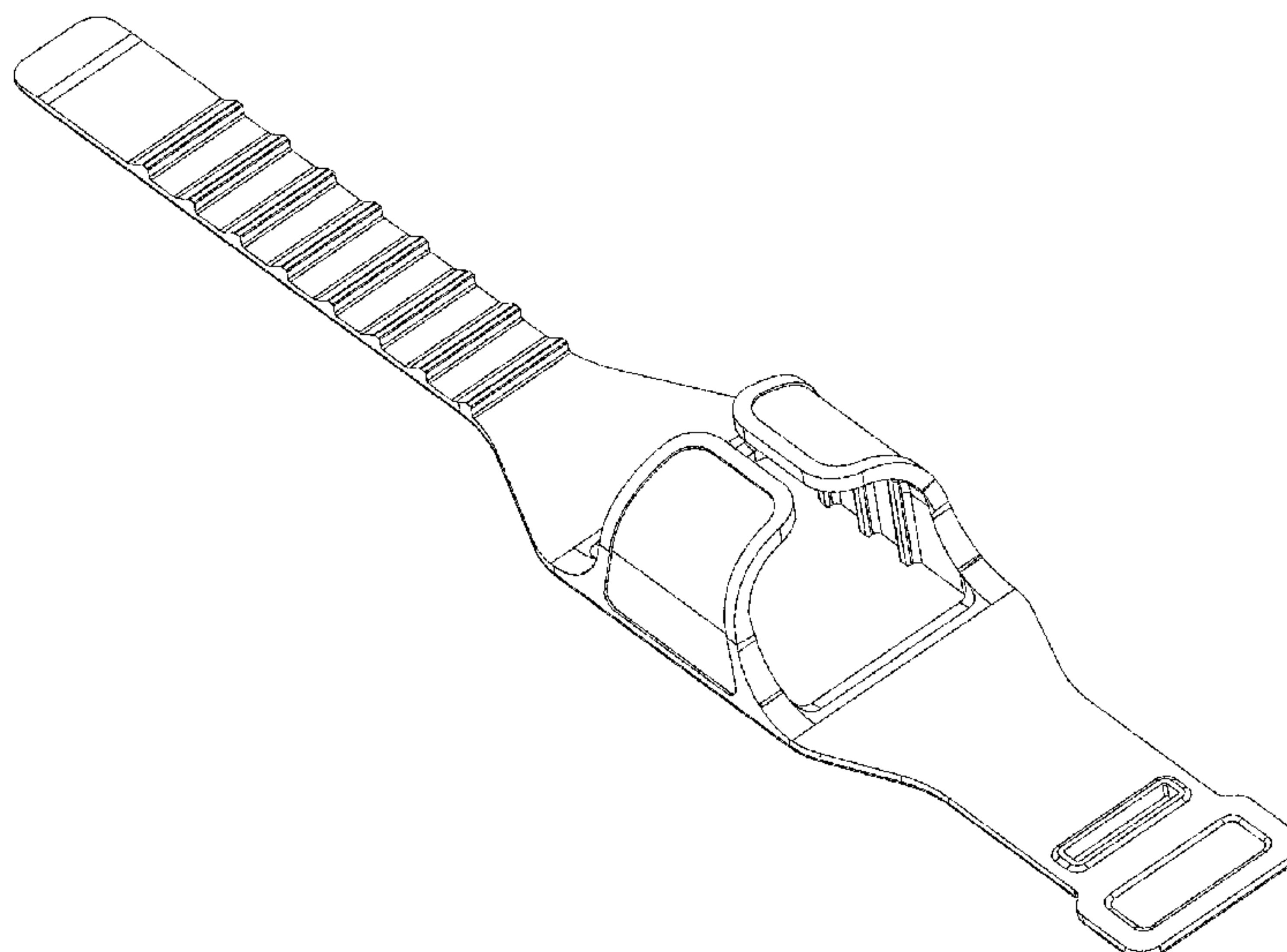
The ornamental design for a line management device for  
retaining and positioning wires and tubes, as shown and  
described.

**DESCRIPTION**

FIG. 1 is an isometric view of a line management device for  
retaining and positioning wires and tubes showing my new  
design.

FIG. 2 is a top plan view thereof;  
FIG. 3 is a side elevation view thereof;  
FIG. 4 is an opposite side elevation view thereof;  
FIG. 5 is an end elevation view thereof;  
FIG. 6 is an opposite end elevation view thereof; and,  
FIG. 7 is a front view a line management device for retaining  
and positioning wires and tubes showing my new design in  
operation to retain and position the wires to a call device.  
The broken line showing of parts of the drawings is included  
for the purpose of illustrating use and environment and  
forms no part of the claimed design.

**1 Claim, 4 Drawing Sheets**



(56)

**References Cited**

U.S. PATENT DOCUMENTS

D424,692	S	5/2000	Monaghan et al.	
6,315,759	B1	11/2001	Peterson	
6,321,957	B1 *	11/2001	Rossi .....	A01K 27/006 206/811
6,500,154	B1	12/2002	Hakky et al.	
6,526,981	B1	3/2003	Rozier et al.	
6,544,232	B1	4/2003	McDaniel	
7,255,251	B1	8/2007	Smith	
7,413,561	B2 *	8/2008	Raulerson .....	A61M 25/02 604/174
7,624,480	B2 *	12/2009	Coronel .....	A61M 25/02 128/DIG. 15
D622,840	S	8/2010	Heitkamp	
7,766,289	B2	8/2010	Newkirk et al.	
8,152,776	B2 *	4/2012	McCluskey .....	A61M 5/1418 604/178
8,408,436	B2 *	4/2013	Berry .....	A63B 24/00 224/176
8,834,425	B2 *	9/2014	Bracken .....	A61L 24/0031 604/174
8,857,434	B2 *	10/2014	Han .....	A61M 16/0683 128/207.11
9,004,329	B2 *	4/2015	Hsieh .....	G04G 17/08 224/169
9,878,129	B2 *	1/2018	Larkin .....	A61M 25/02
2005/0137496	A1	6/2005	Walsh et al.	
2006/0064950	A1	3/2006	Ford et al.	
2009/0105656	A1	4/2009	Schaeffer	
2009/0281502	A1	11/2009	Heitkamp	
2012/0277682	A1	11/2012	Corato et al.	

\* cited by examiner

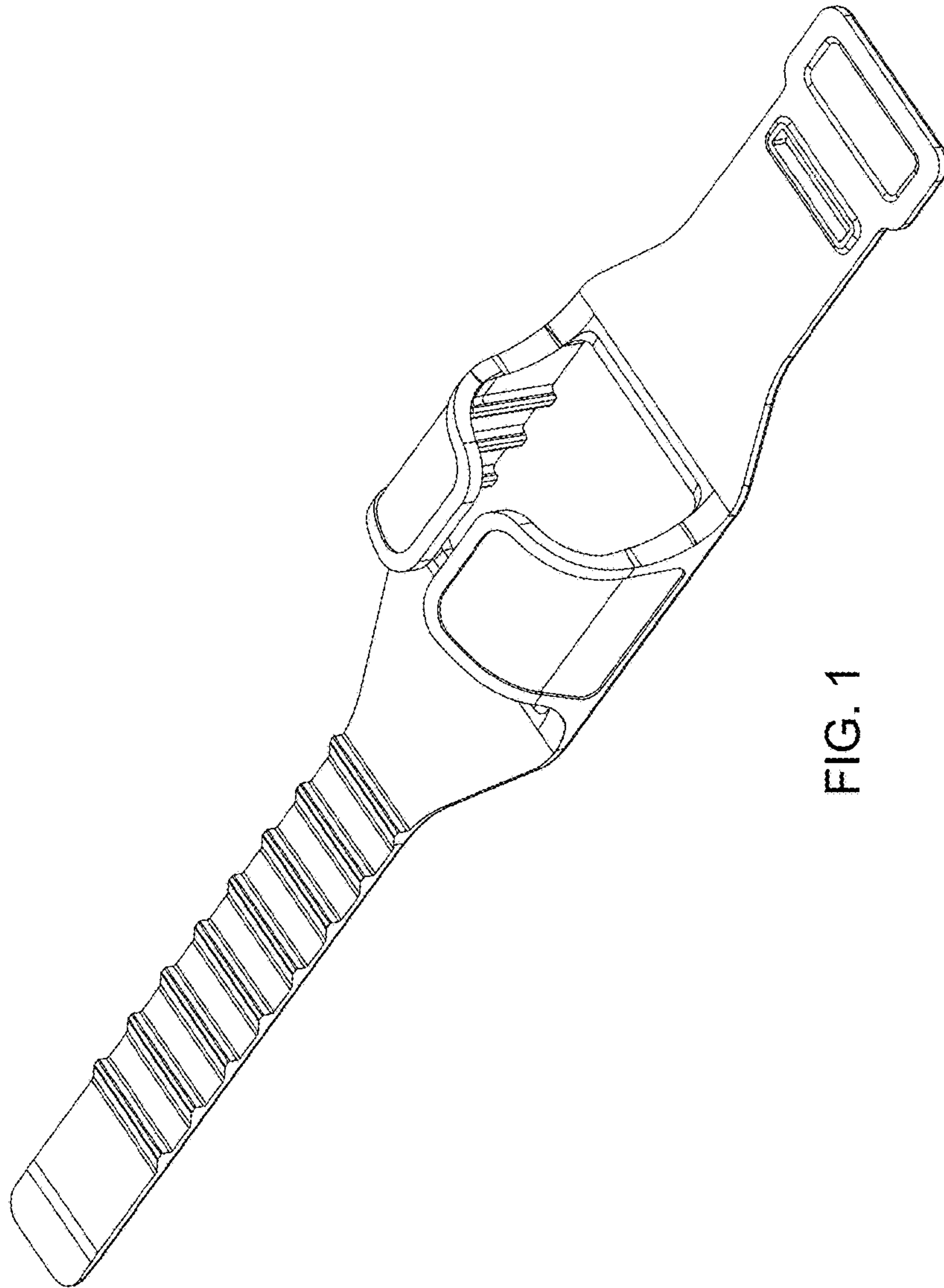


FIG. 1

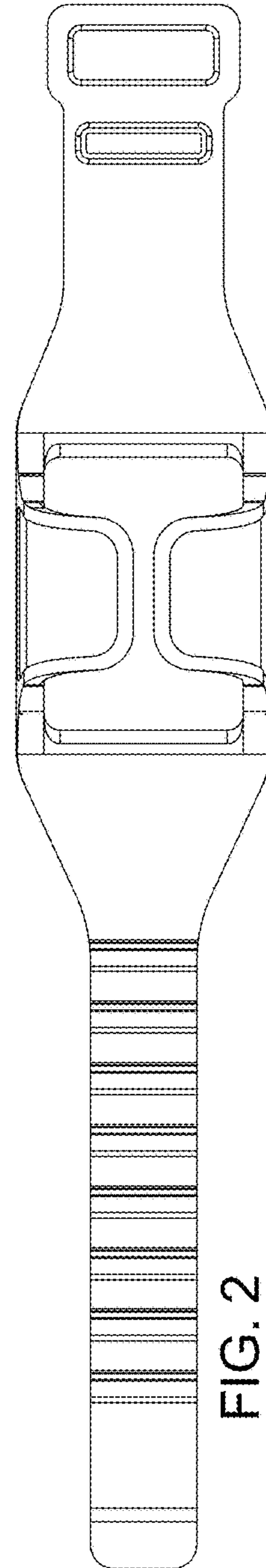


FIG. 2

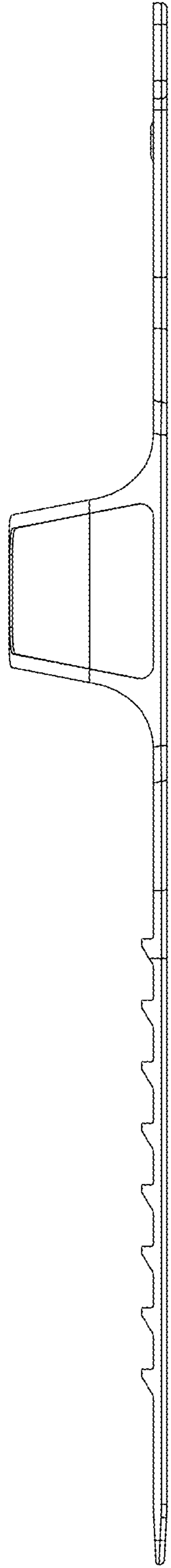


FIG. 3

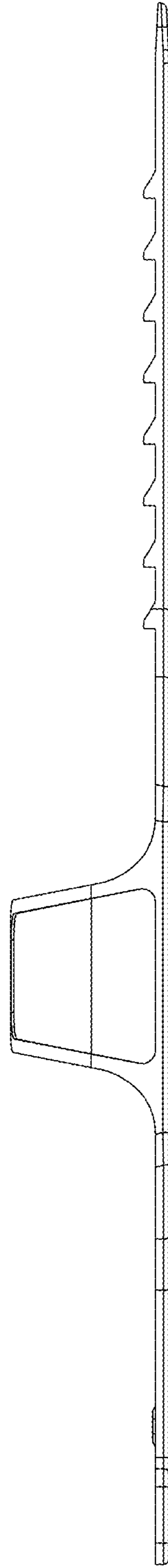


FIG. 4

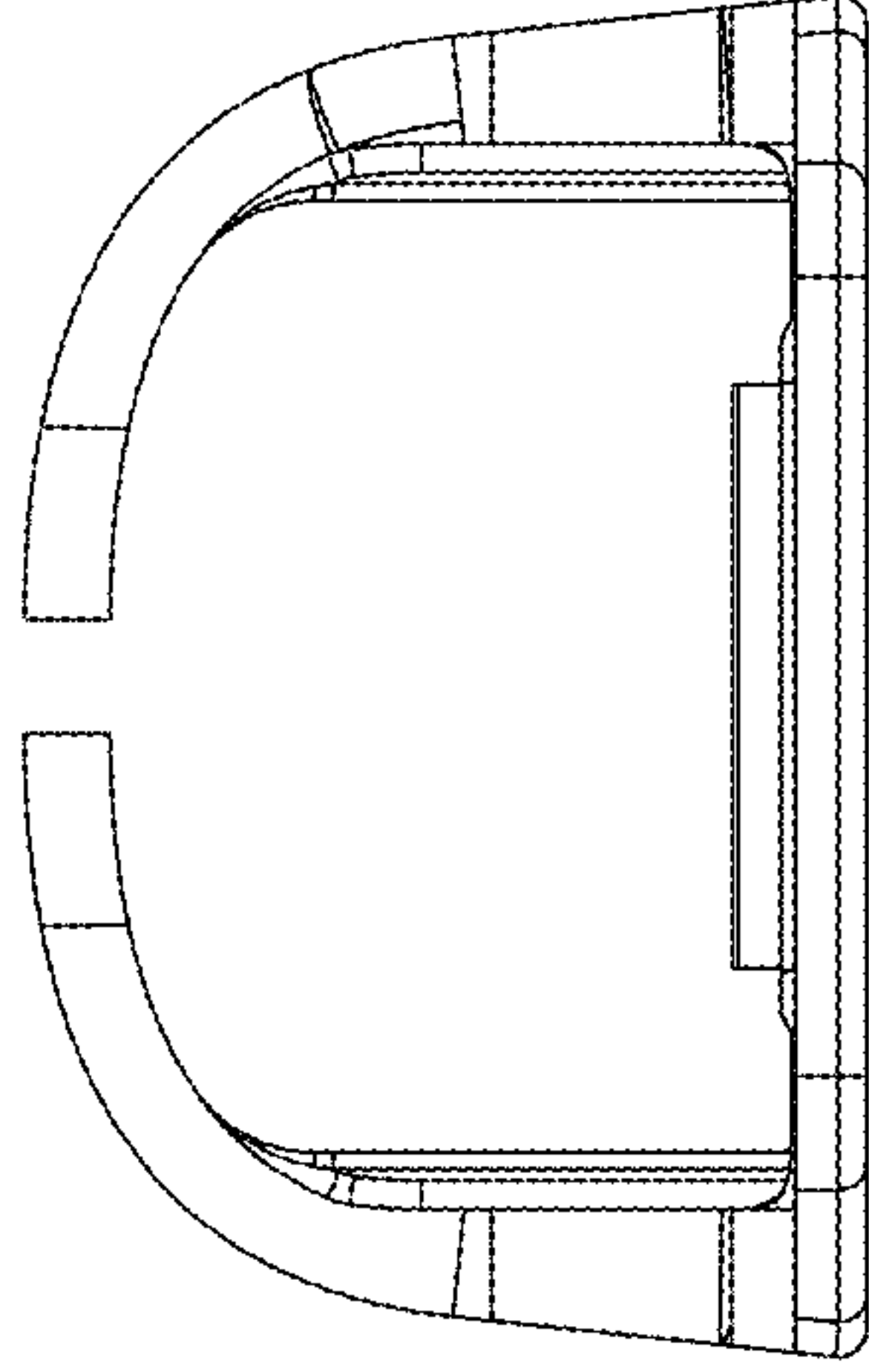


FIG. 6

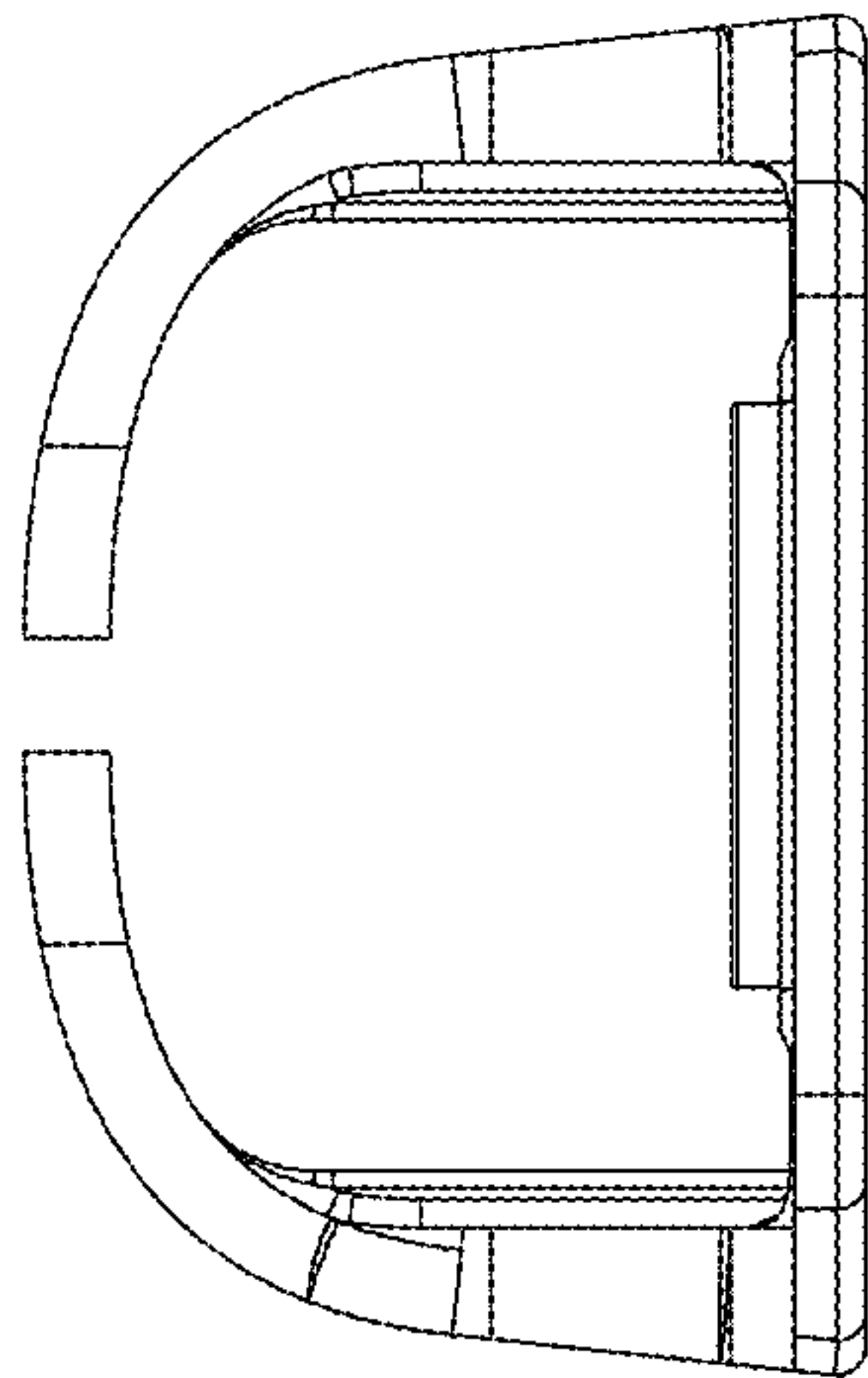


FIG. 5



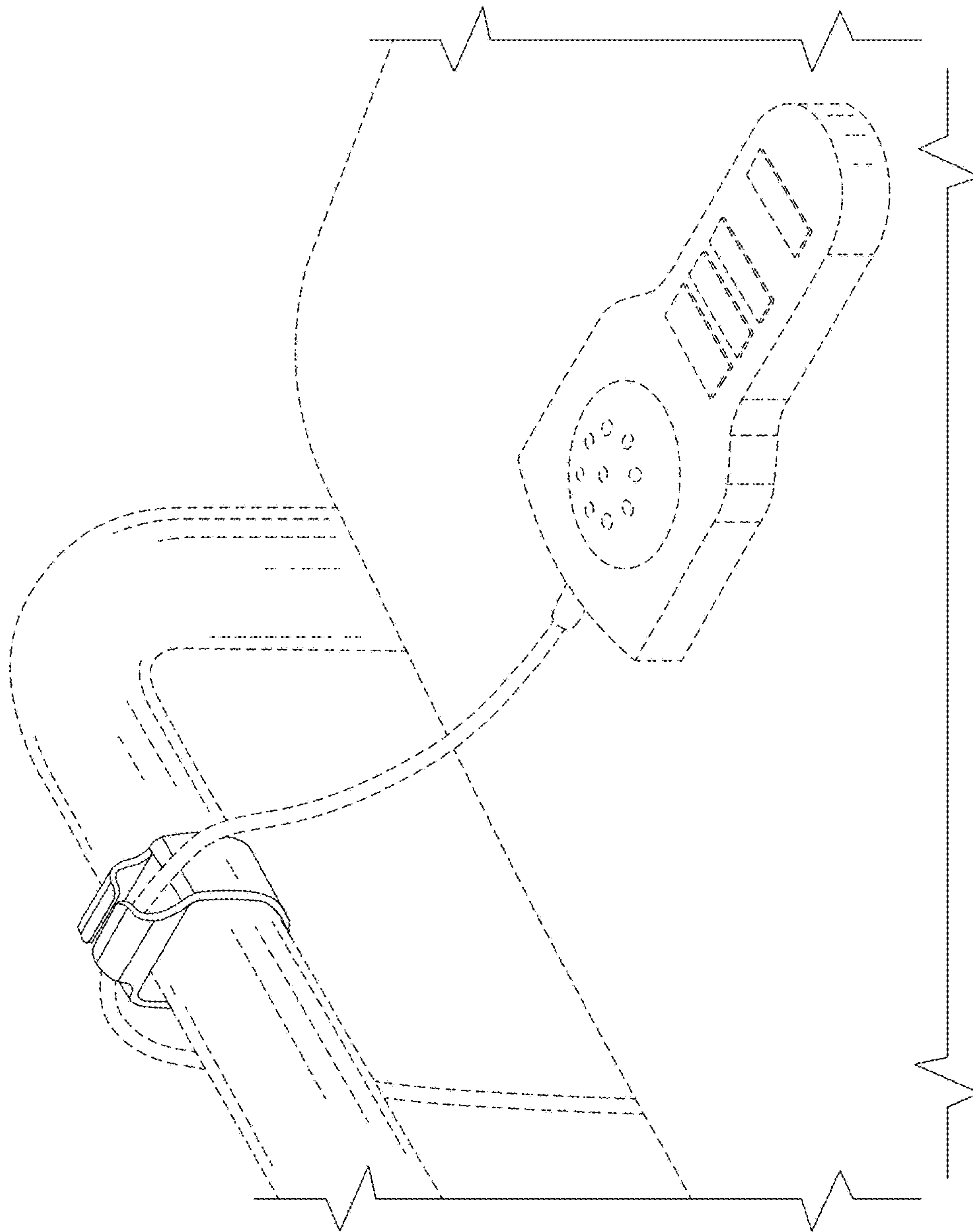


FIG. 7