



US00D817485S

(12) **United States Design Patent**
Gottschalk

(10) **Patent No.:** **US D817,485 S**

(45) **Date of Patent:** **** May 8, 2018**

(54) **SUPPORT FOR AN INFUSION LINE
CONNECTED TO AN INFUSION PUMP**

(71) Applicant: **PFM MEDICAL AG**, Cologne (DE)

(72) Inventor: **Andreas Gottschalk**, Bornheim (DE)

(73) Assignee: **PFM MEDICAL AG**, Cologne (DE)

(**) Term: **15 Years**

(21) Appl. No.: **29/543,217**

(22) Filed: **Oct. 22, 2015**

(51) **LOC (11) Cl.** **24-02**

(52) **U.S. Cl.**
USPC **D24/128; 24/111**

(58) **Field of Classification Search**
USPC D24/107, 108, 111, 127-129; D8/356
CPC .. A61M 5/142; A61M 5/14232; A61M 5/172;
A61M 2205/12; A61M 5/16854; A61M
2205/121
See application file for complete search history.

(56) **References Cited**

U.S. PATENT DOCUMENTS

4,537,561	A *	8/1985	Xanthopoulos	A61M 5/142 128/DIG. 12
D285,286	S *	8/1986	Sharpe	248/67.5
D321,559	S *	11/1991	Kienholz	D24/111
D323,390	S *	1/1992	Paine	D24/129
D330,419	S *	10/1992	Sifers	D24/128
D407,494	S *	3/1999	Doyle	D24/128
D414,872	S *	10/1999	Doyle	D24/128
D592,303	S *	5/2009	Chesnin	D24/128
D633,989	S *	3/2011	Gottschalk	D23/262
D635,255	S *	3/2011	Travis	D24/129
D715,929	S *	10/2014	Khalaj	D24/128
D749,209	S *	2/2016	Uhlenkamp	D24/128
9,662,437	B2 *	5/2017	Moosai	A61M 5/14228
2006/0224128	A1 *	10/2006	Lurvey	A61M 5/14228 604/250

2008/0097317	A1 *	4/2008	Alholm	A61M 5/14244 604/131
2009/0204075	A1 *	8/2009	Simpson	A61M 5/162 604/151
2011/0313358	A1 *	12/2011	Hariharesan	A61M 5/14228 604/151
2012/0130309	A1 *	5/2012	Hariharesan	A61M 5/14232 604/151
2012/0191059	A1 *	7/2012	Cummings	A61M 5/14232 604/500
2013/0138074	A1 *	5/2013	Travis	A61M 5/16804 604/500
2014/0188076	A1 *	7/2014	Kamen	A61M 5/1408 604/506

OTHER PUBLICATIONS

Electronic Infusion Pump LimLess. PFM Medical. www.pfmmedical.com. Brochure. Date published: May 2016.*

* cited by examiner

Primary Examiner — Barbara Fox

Assistant Examiner — Lilyana Bekic

(74) *Attorney, Agent, or Firm* — Grossman, Tucker, Perreault & Pflieger, PLLC

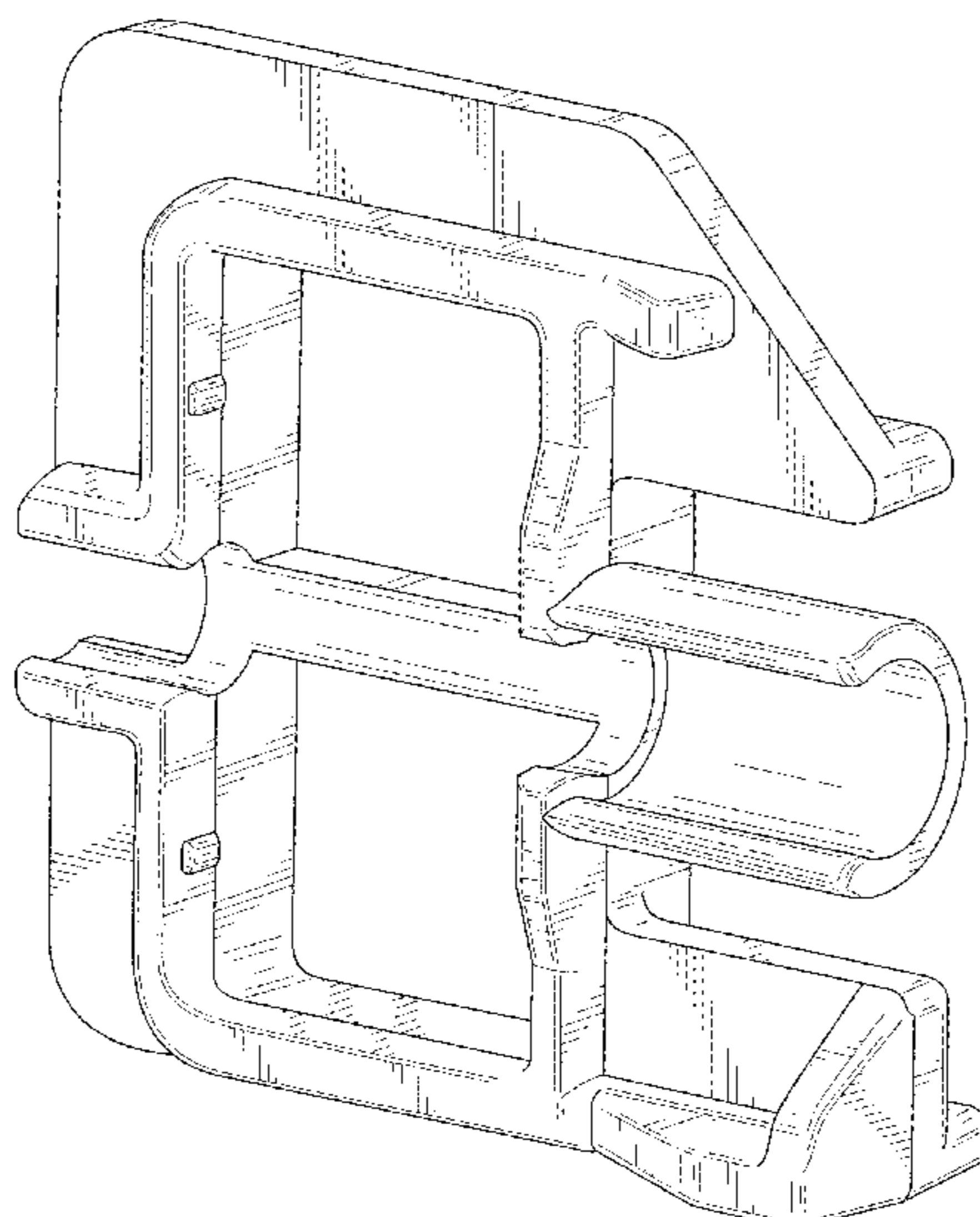
(57) **CLAIM**

The ornamental design for a support for an infusion line connected to an infusion pump, as shown and described.

DESCRIPTION

FIG. 1 is a perspective view of the support for an infusion line connected to an infusion pump of the present invention; FIG. 2 is a front view thereof; FIG. 3 is a rear view thereof; FIG. 4 is a right view thereof; FIG. 5 is a left view thereof; FIG. 6 is a top view thereof; and, FIG. 7 is a bottom view thereof.

1 Claim, 7 Drawing Sheets



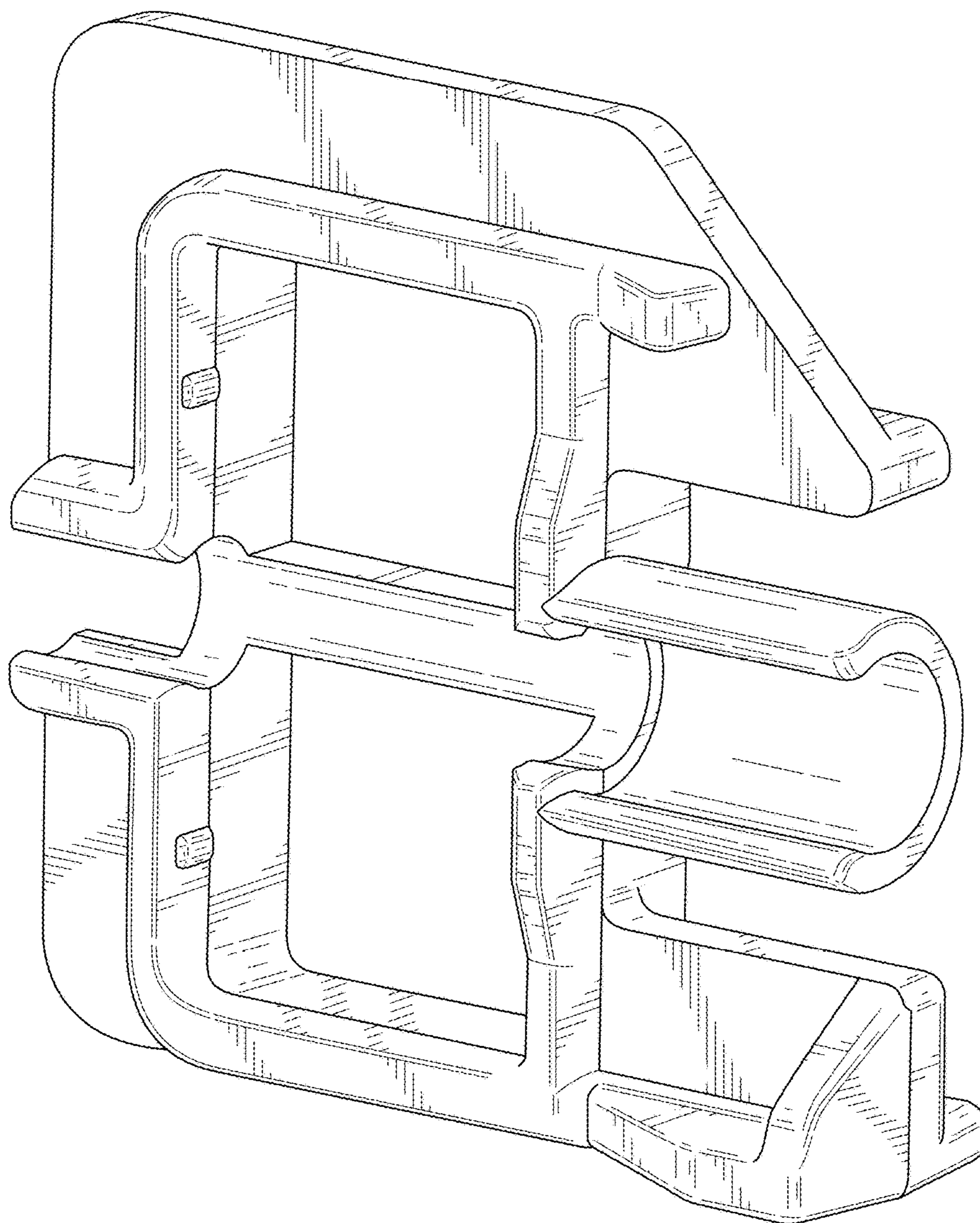


FIG. 1

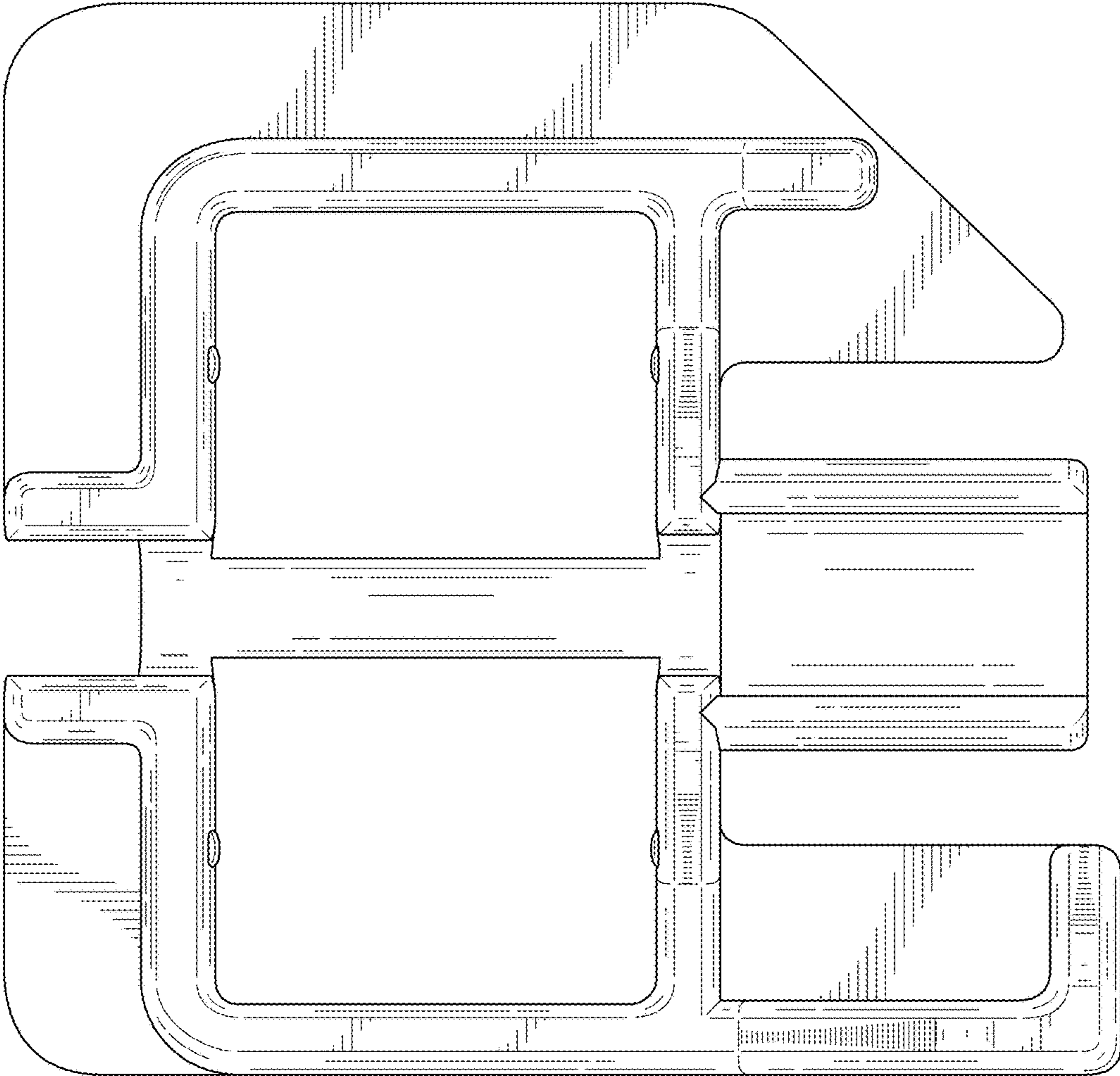


FIG. 2

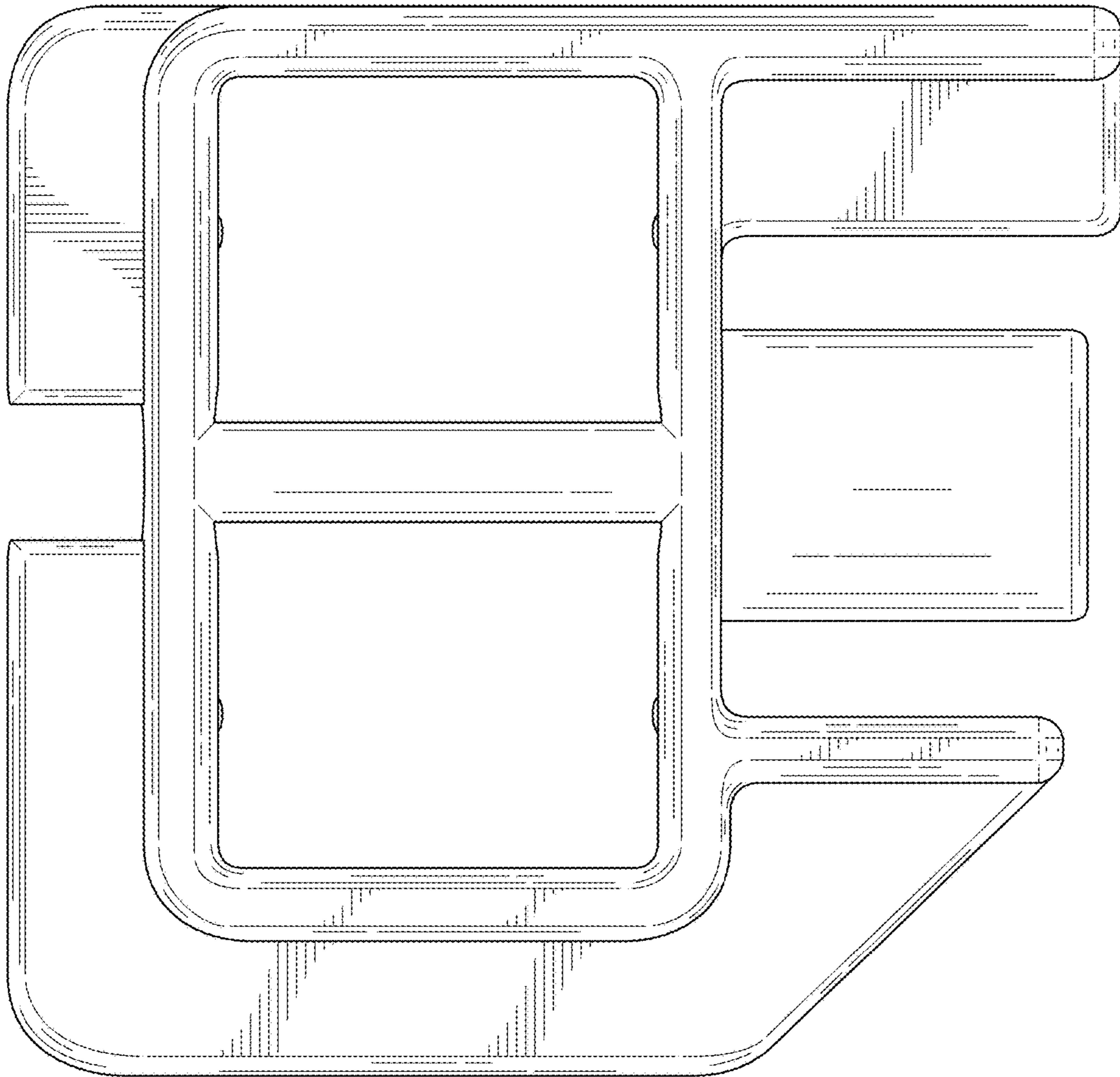


FIG. 3

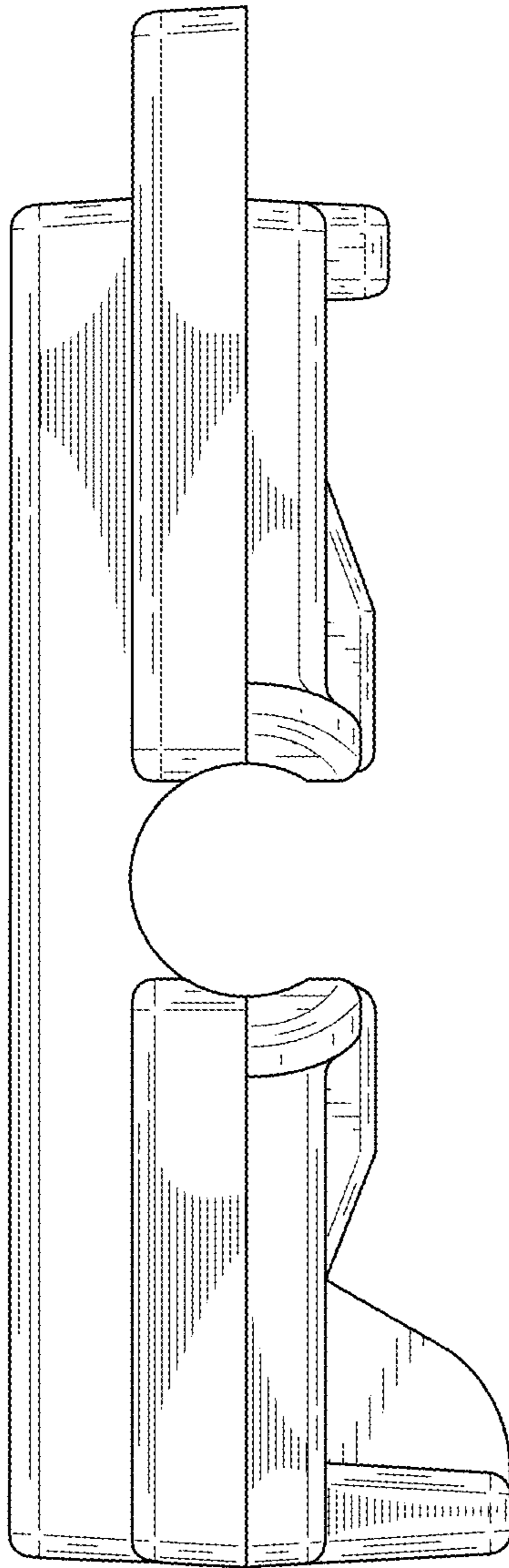


FIG. 4

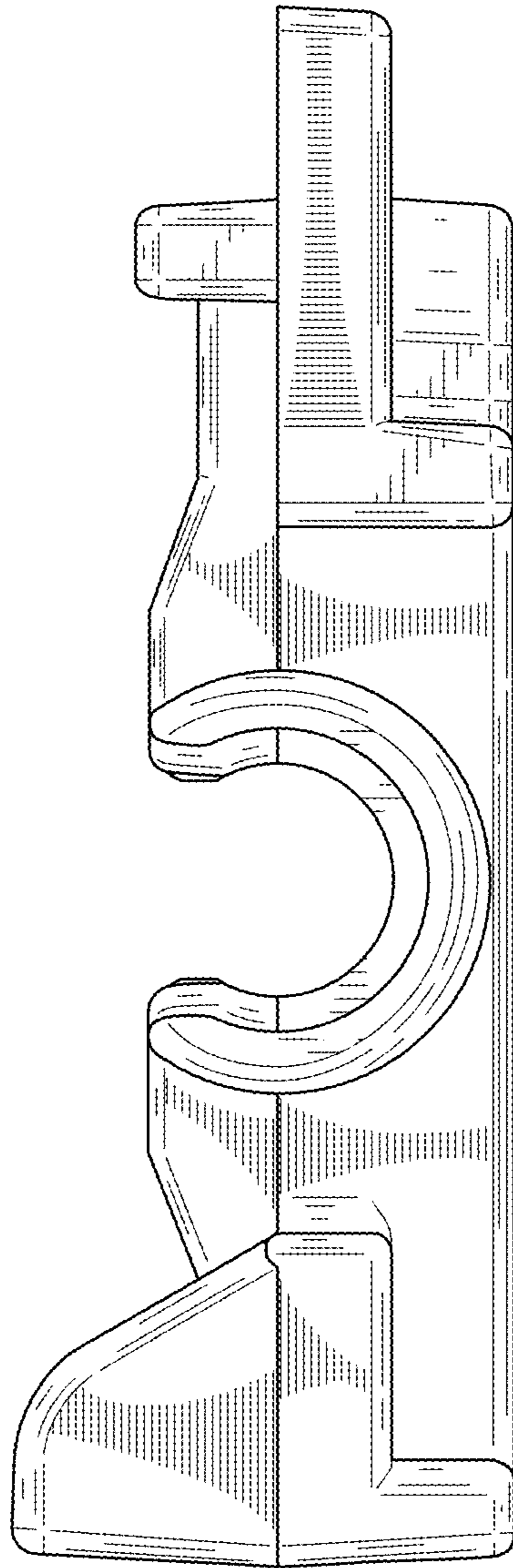


FIG. 5

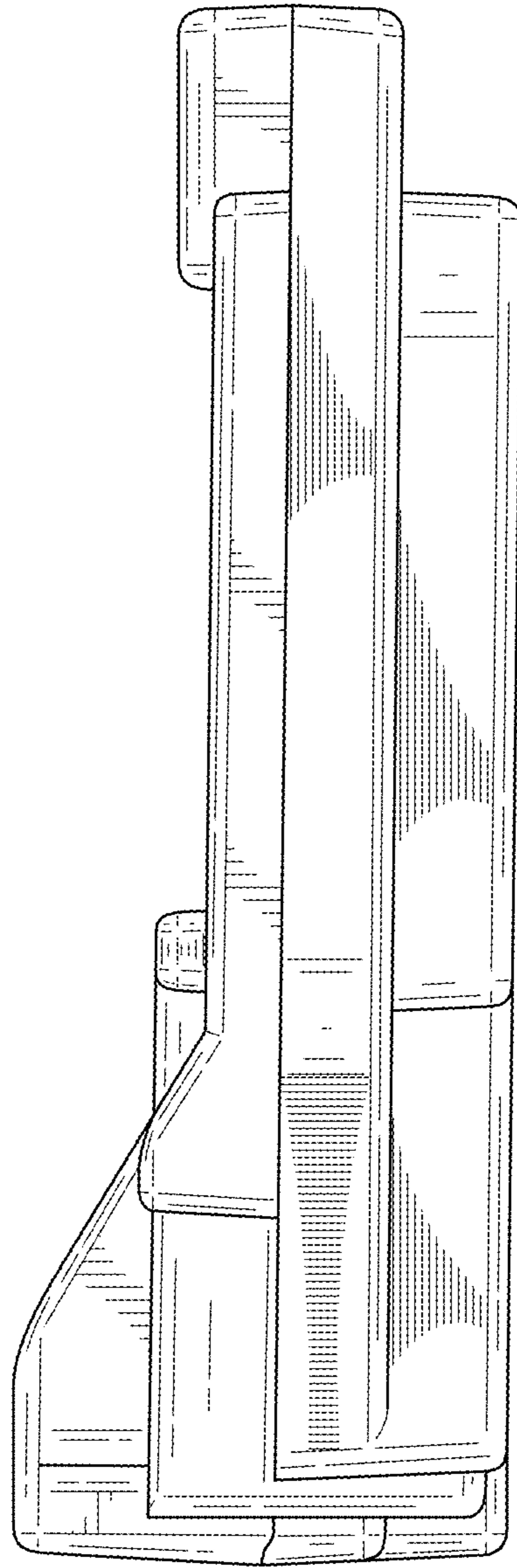


FIG. 6

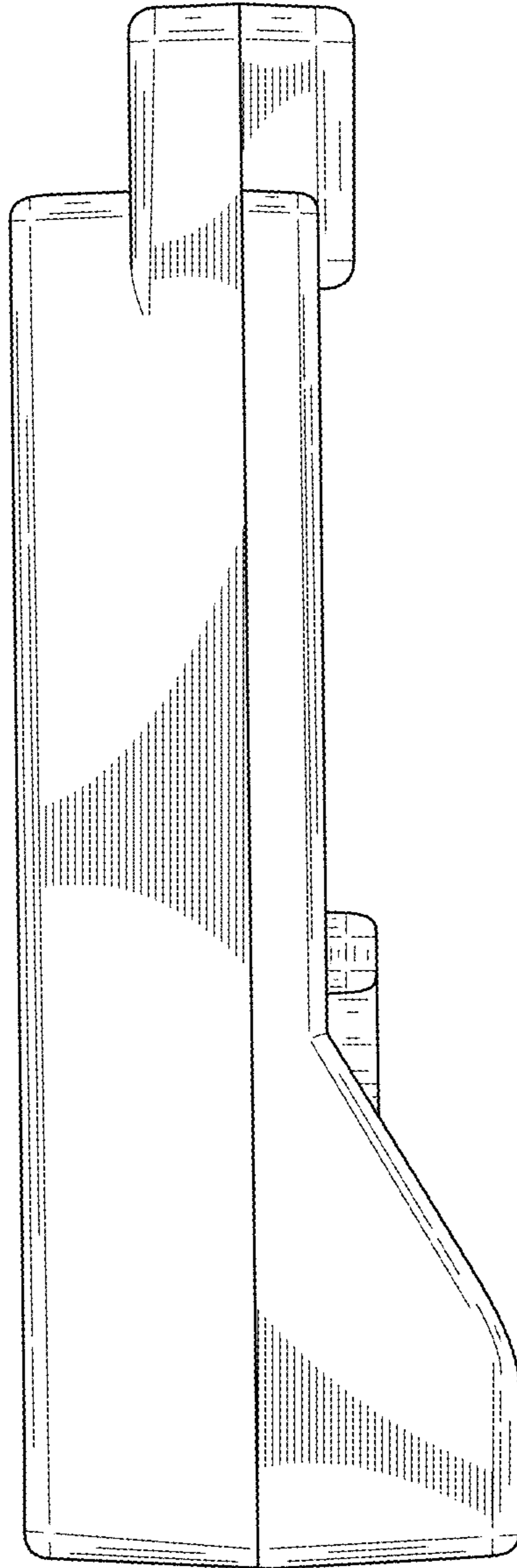


FIG. 7