



US00D817483S

(12) **United States Design Patent** (10) **Patent No.:** **US D817,483 S**
Falleboe et al. (45) **Date of Patent:** **** May 8, 2018**

(54) **ANAL IRRIGATION CATHETER ADAPTED FOR USE IN AN ANAL IRRIGATION SYSTEM**

(71) Applicant: **Coloplast A/S, Humlebaek (DK)**

(72) Inventors: **Hans Falleboe, Gentofte (DK); Isak Frostå, Malmö (SE)**

(73) Assignee: **Coloplast A/S, Humlebaek (DK)**

(**) Term: **15 Years**

(21) Appl. No.: **29/560,469**

(22) Filed: **Apr. 7, 2016**

(51) **LOC (11) Cl.** **24-02**

(52) **U.S. Cl.**
USPC **D24/112**

(58) **Field of Classification Search**
USPC D24/127-131, 112-114, 133, 186;
606/181, 185; 604/264, 523-528, 272,
604/187, 158, 164.01-164.11, 181, 184,
604/227; 600/101, 139, 143;
128/200.24, 207.14, 207.15
CPC A61M 25/00; A61M 39/00; A61M 27/00;
A61M 25/0043; A61M 25/0067; A61M
25/0097; A61F 2/958

See application file for complete search history.

(56) **References Cited**

U.S. PATENT DOCUMENTS

651,776 A	6/1900	Bourdeau	
3,459,175 A	8/1969	Miller	
3,747,632 A	7/1973	Kok et al.	
3,766,920 A	10/1973	Greene	
3,842,834 A	10/1974	Vass	
3,889,676 A	6/1975	Greene	
3,990,448 A	11/1976	Mather et al.	
4,385,631 A	5/1983	Uthmann	
D271,902 S *	12/1983	Campton D24/112

4,487,434 A	12/1984	Roche	
4,581,012 A	4/1986	Brown et al.	
4,701,159 A	10/1987	Brown et al.	
D298,653 S	11/1988	Maietta	
4,842,583 A	6/1989	Majlessi	
4,874,363 A	10/1989	Abell	
D304,760 S	11/1989	Curtis et al.	
5,019,056 A	5/1991	Lee et al.	
5,180,387 A	1/1993	Ghajar et al.	
5,250,024 A	10/1993	Kensey	

(Continued)

FOREIGN PATENT DOCUMENTS

BE	370821 A	9/2014
DE	195412 A	5/1907

(Continued)

Primary Examiner — David Muller

(74) *Attorney, Agent, or Firm* — Coloplast Corp.,
Coloplast A/S; Nick Baumann

(57) **CLAIM**

The ornamental design for an anal irrigation catheter adapted for use in an anal irrigation system, as shown and described.

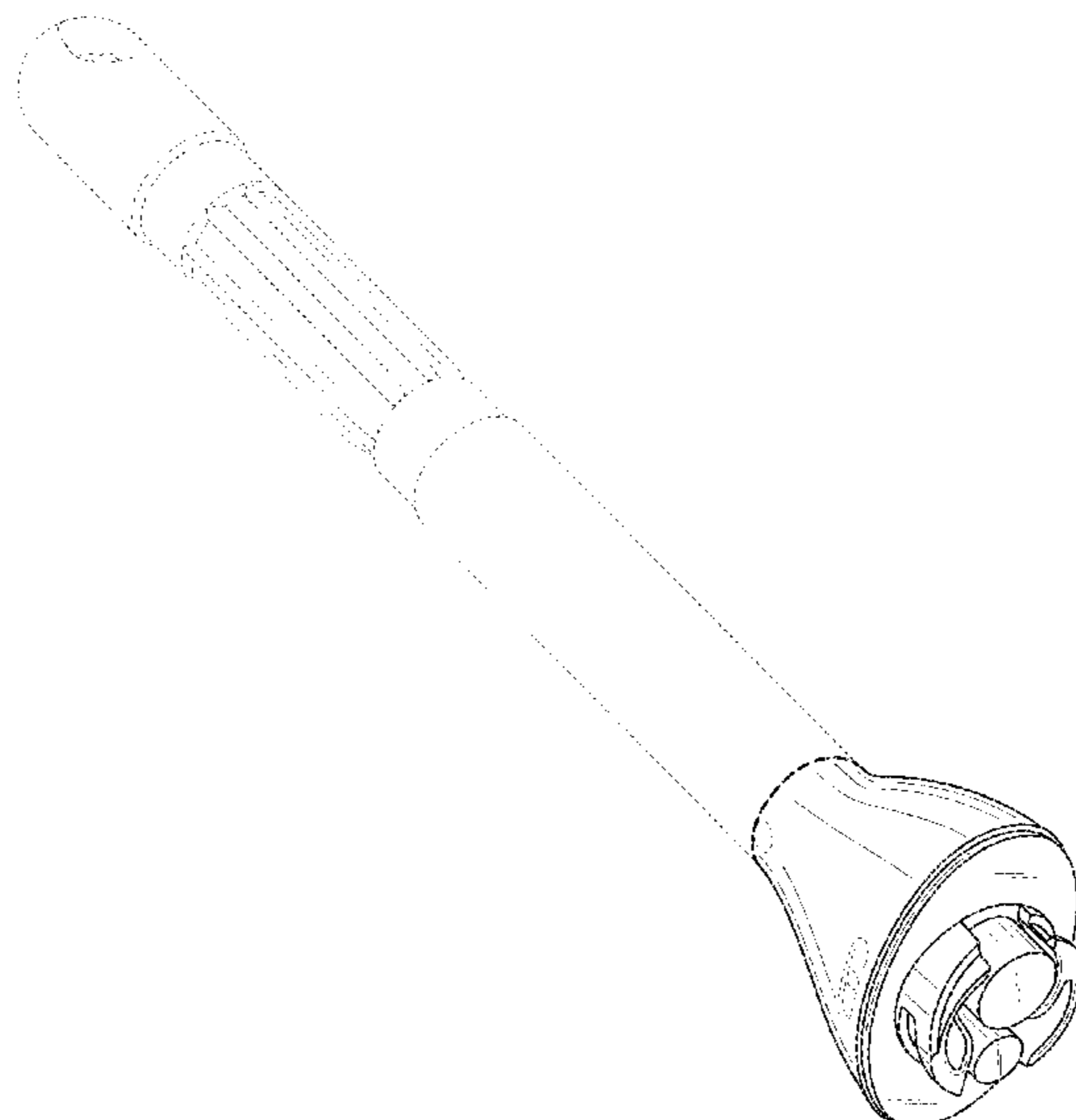
DESCRIPTION

FIG. 1 is a perspective view of an anal irrigation catheter adapted for use in an anal irrigation system; FIG. 2 is a front elevation view thereof; FIG. 3 is a rear elevation view thereof; FIG. 4 is a left side elevation view thereof; FIG. 5 is a right side elevation view thereof; FIG. 6 is a top plan view thereof; and, FIG. 7 is a bottom plan view thereof.

In FIGS. 1-6 the broken lines illustrate a shaft portion of the anal irrigation catheter and form no part of the claimed design.

In FIGS. 1-5 the heavy dashed line illustrates the boundary of the claimed design.

1 Claim, 7 Drawing Sheets



US D817,483 S

Page 2

(56)

References Cited

U.S. PATENT DOCUMENTS

5,300,022 A 4/1994 Klapper et al.
5,330,447 A 7/1994 Barth
5,499,970 A 3/1996 Olson
5,620,427 A 4/1997 Werschmidt et al.
5,643,228 A 7/1997 Schucart et al.
5,683,640 A 11/1997 Miller et al.
5,746,713 A * 5/1998 Hood A61F 9/00745
604/22
5,800,409 A 9/1998 Bruce
5,810,202 A 9/1998 Hoback et al.
5,833,658 A 11/1998 Levy et al.
5,976,103 A 11/1999 Martin
6,096,007 A 8/2000 Haan et al.
6,106,506 A 8/2000 Abell et al.
6,264,636 B1 7/2001 Holm et al.
6,428,515 B1 8/2002 Bierman et al.
6,533,750 B2 * 3/2003 Sutton A61F 9/00745
604/187
6,533,763 B1 3/2003 Schneiter
7,172,587 B2 * 2/2007 Poole A61M 25/0009
604/523
D612,050 S 3/2010 Baynham
D625,003 S * 10/2010 Stephens D24/129
D625,004 S * 10/2010 McGrady D24/129
D652,529 S * 1/2012 Eum D24/217
8,267,891 B2 * 9/2012 Dimalanta A61M 1/008
604/118
D690,025 S * 9/2013 TerMaat D24/224
D692,998 S 11/2013 Broberg et al.
D694,885 S 12/2013 Broberg et al.
9,504,809 B2 * 11/2016 Bo A61M 25/0043
2002/0115984 A1 8/2002 Guala

2002/0123786 A1 9/2002 Gittings et al.
2003/0073974 A1 4/2003 Falconer
2010/0191183 A1 * 7/2010 Tanghoej A61M 25/0017
604/96.01

FOREIGN PATENT DOCUMENTS

DE 3705339 A1 9/1988
DE 4218119 A1 4/1996
DE 19536118 A1 4/1996
DE 19833181 C1 1/2000
EP 109897 A1 5/1984
EP 381062 A2 8/1990
EP 1206230 A1 2/2001
FR 1222961 A 6/1960
FR 1460776 A 1/1966
GB 2088385 A1 6/1982
GB 2224212 A1 5/1990
HU 191765 B 11/1987
HU 9903396 AB 2/2000
WO 8300812 A1 3/1983
WO 9528138 A1 10/1995
WO 9625188 A1 8/1996
WO 9823312 A1 6/1998
WO 9830270 A1 7/1998
WO 9959656 A1 11/1999
WO 0134223 A1 5/2001
WO 0137916 A1 5/2001
WO 04006993 A1 1/2004
WO 04037339 A1 5/2004
WO 06086826 A1 8/2006
WO 09152568 A1 12/2009
WO 11023196 A1 3/2011
WO 12120456 A2 9/2012
WO 13007266 A1 1/2013
WO 16095929 A1 6/2016

* cited by examiner

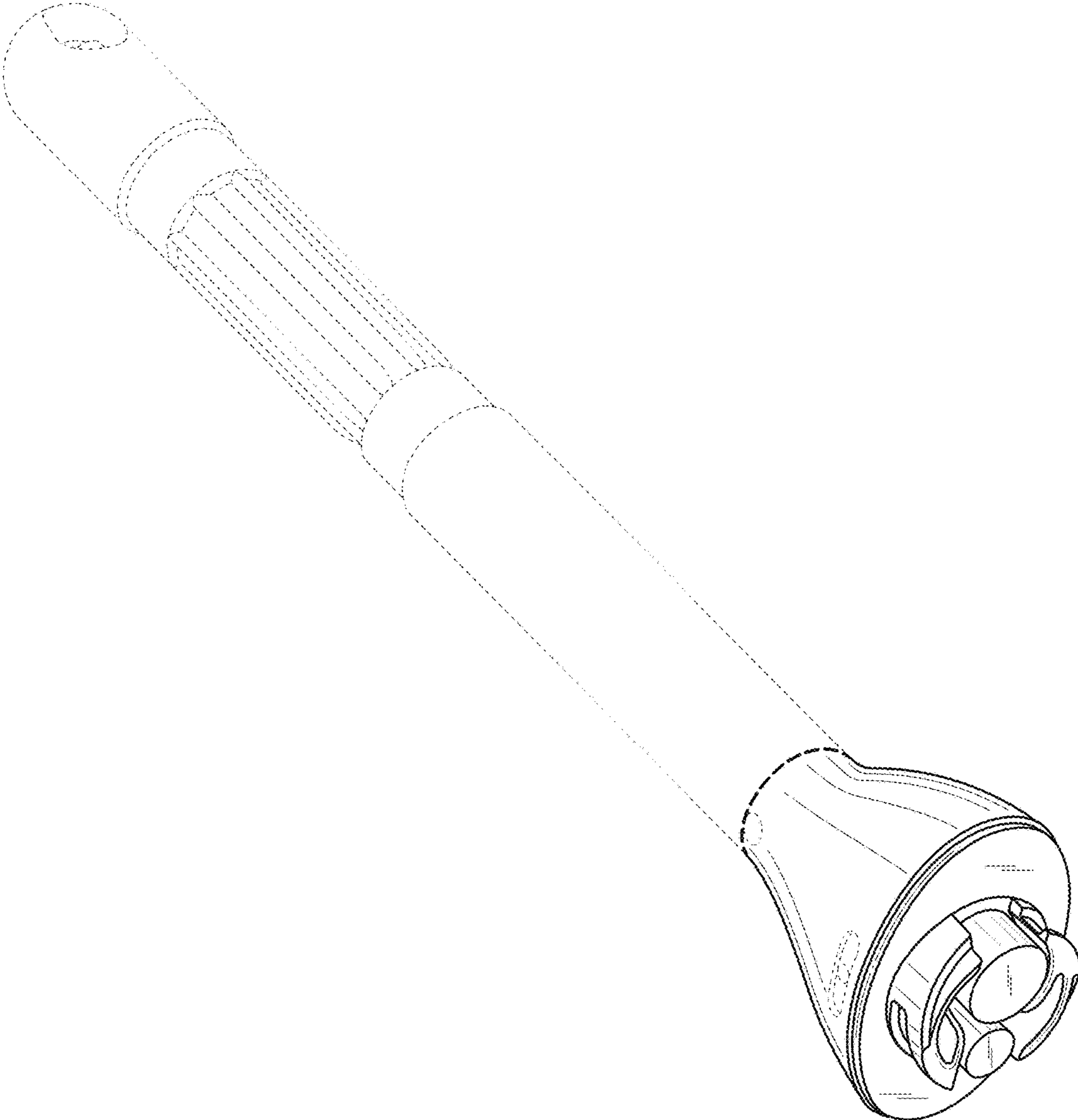


Fig. 1

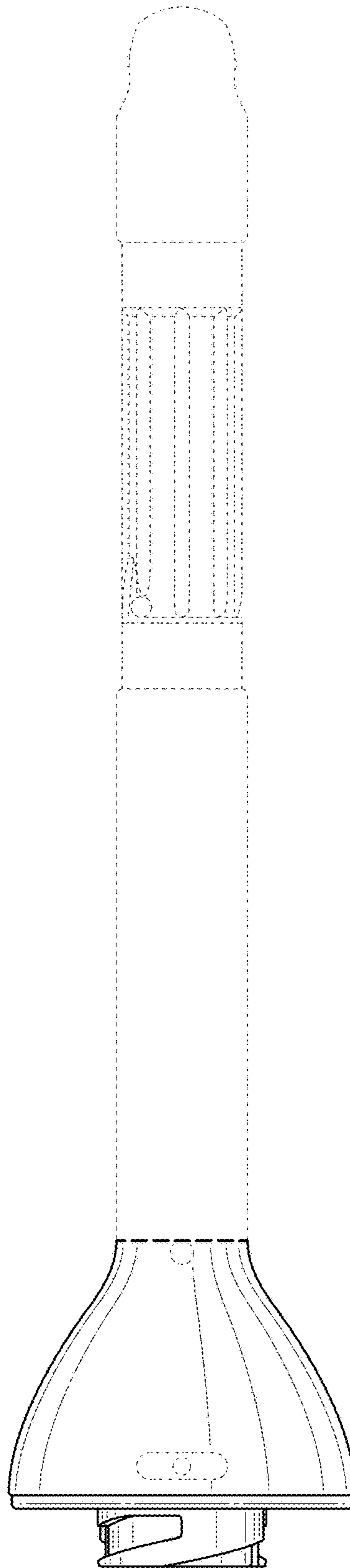


Fig. 2

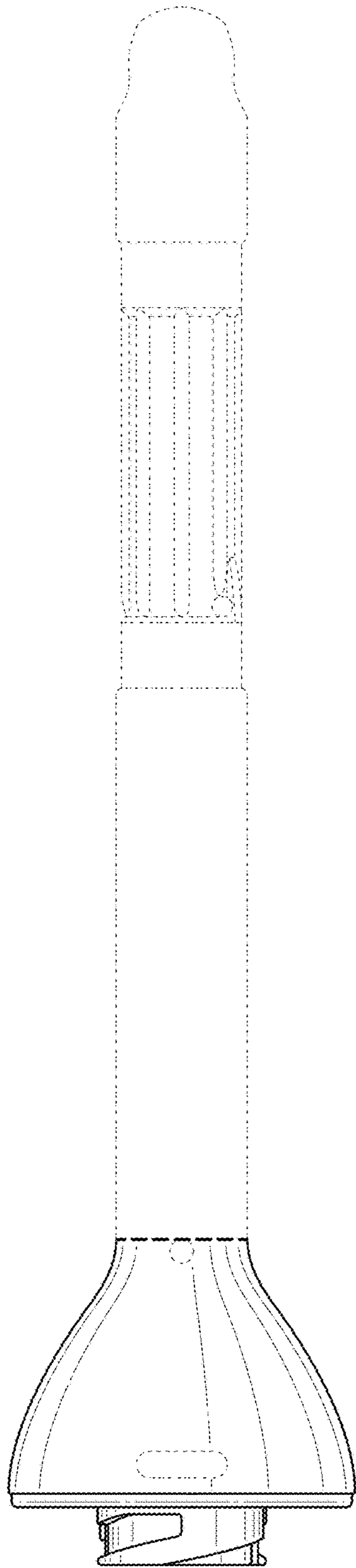


Fig. 3

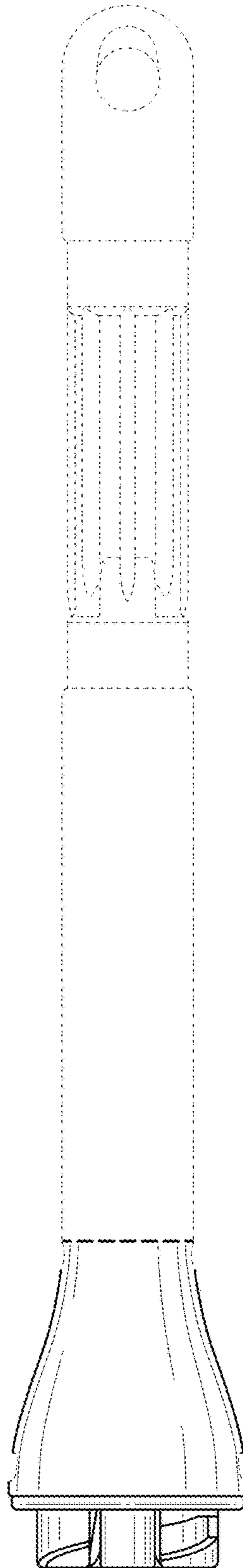


Fig. 4

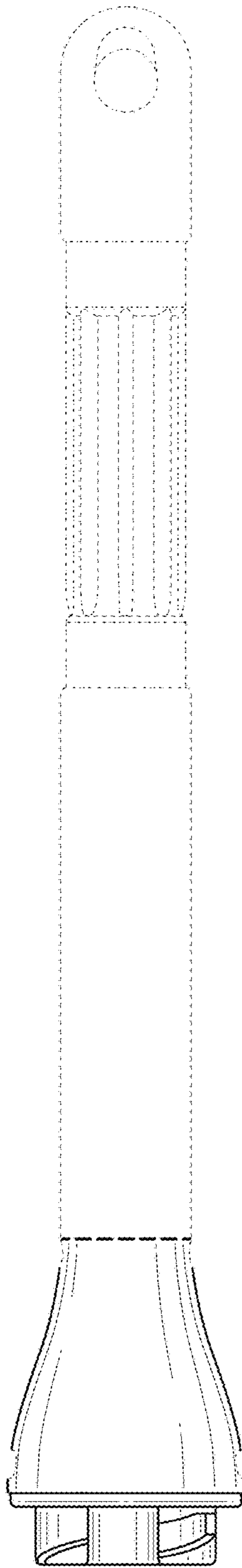


Fig. 5

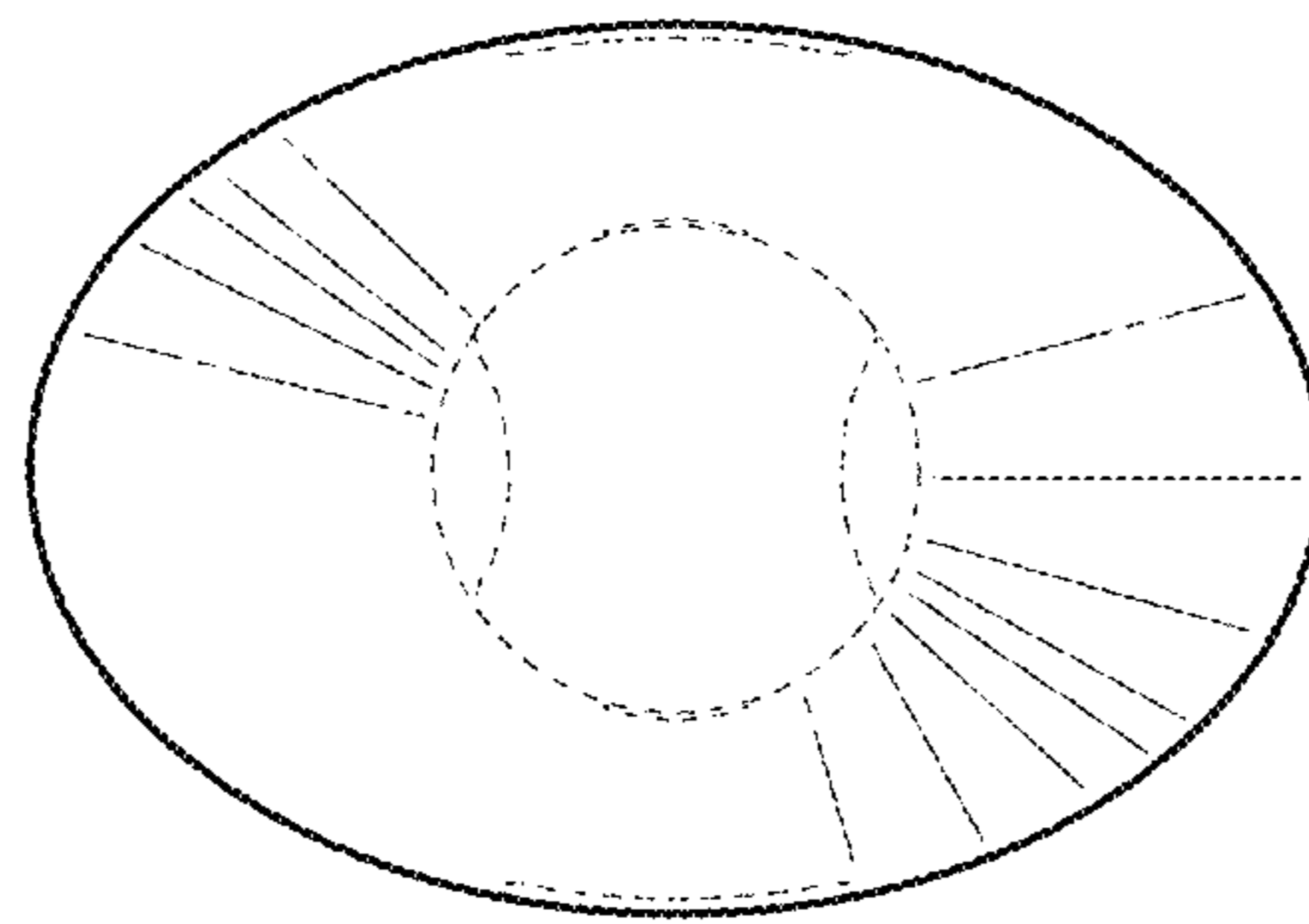


Fig. 6

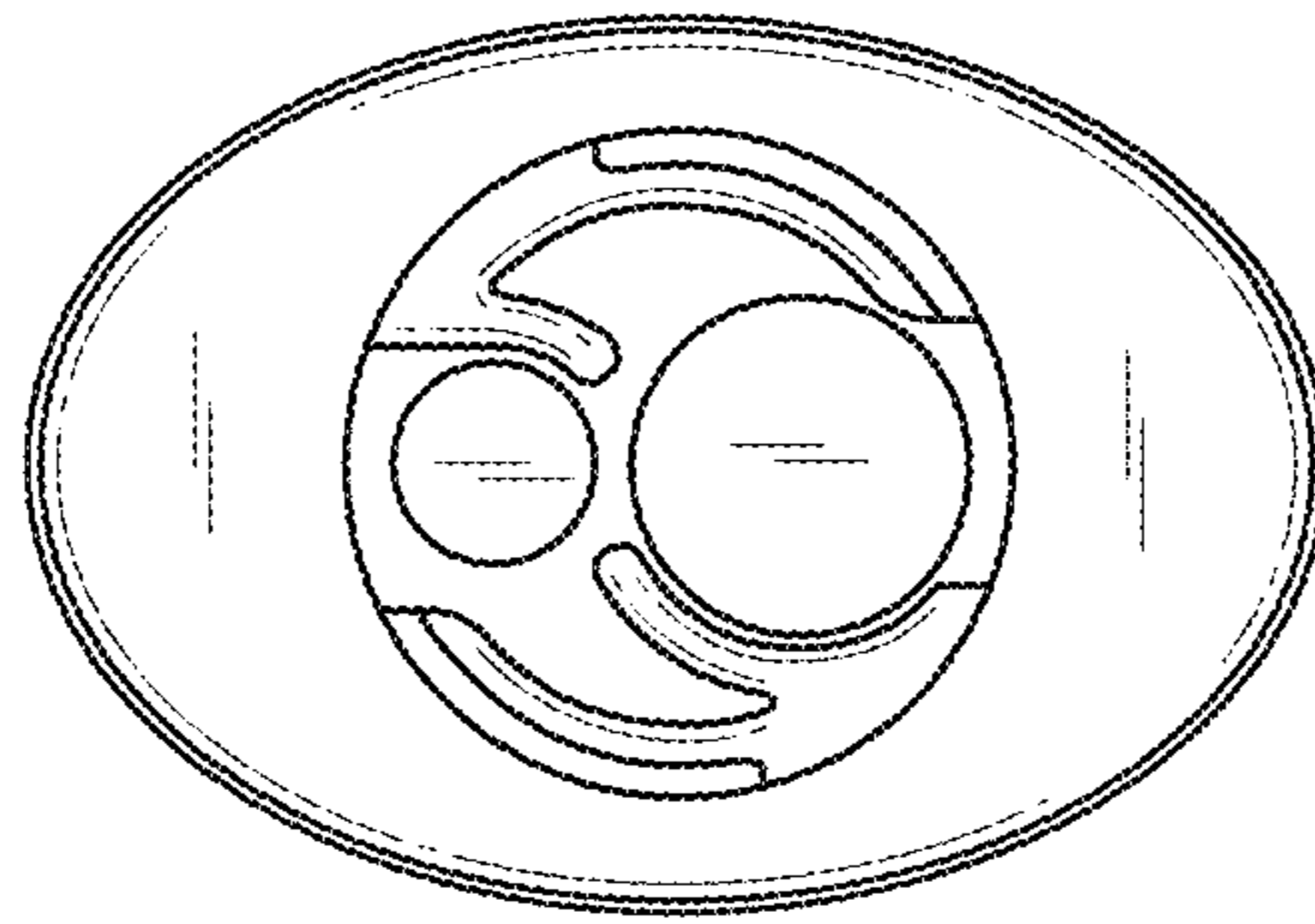


Fig. 7