



US00D817482S

(12) **United States Design Patent** (10) **Patent No.:** **US D817,482 S**
Howell et al. (45) **Date of Patent:** **** May 8, 2018**

(54) **I.V. INFUSION OR BLOOD COLLECTION APPARATUS**

FOREIGN PATENT DOCUMENTS

(71) Applicant: **MDDP, LLC**, Cary, NC (US)

CN 101330937 A 12/2008

(72) Inventors: **Julie C. Howell**, Indian Trail, NC (US);
Michael A. Taylor, Apex, NC (US);
John F. Higdon, Matthews, NC (US);
Robert G. Rosenthal, Raleigh, NC (US);
Sanjiv Kumar, Apex, NC (US)

OTHER PUBLICATIONS

Decision on Rejection for Chinese Patent Application No. 201180044609.3, dated Jul. 18, 2016, 17 pages.

(Continued)

(73) Assignee: **MDDP, LLC**, Cary, NC (US)

Primary Examiner — David Muller

(**) Term: **15 Years**

(74) *Attorney, Agent, or Firm* — Withrow & Terranova, P.L.L.C.

(21) Appl. No.: **29/527,637**

(22) Filed: **May 20, 2015**

(57) **CLAIM**

Related U.S. Application Data

The ornamental design for an I.V. infusion or blood collection apparatus, as shown and described.

(63) Continuation of application No. 13/810,326, filed as application No. PCT/US2011/044114 on Jul. 15, 2011, now Pat. No. 9,039,675.

(51) **LOC (11) Cl.** **24-02**

DESCRIPTION

(52) **U.S. Cl.**
USPC **D24/112**

(58) **Field of Classification Search**
USPC D24/112–114, 108, 130, 127, 133, 186;
606/181, 185; 604/507, 264, 523–528,
604/272, 164.01–164.11, 187, 93.01;
600/101, 139, 143; 128/200.24, 207.14,
128/207.15
CPC .. A61M 25/065; A61M 5/42; A61M 25/0612;
A61M 25/00; A61M 39/00; A61M 27/00;
A61M 25/0043; A61M 25/0067; A61M
25/0097; A61F 2/958
See application file for complete search history.

FIG. 1 is a perspective view of an I.V. infusion or blood collection apparatus showing our new design;
FIG. 2 is a front elevation view of the I.V. infusion or blood collection apparatus;
FIG. 3 is a top plan view of the I.V. infusion or blood collection apparatus;
FIG. 4 is a bottom plan view of the I.V. infusion or blood collection apparatus;
FIG. 5 is a right side elevation view of the I.V. infusion or blood collection apparatus; the left side elevation view of the I.V. infusion or blood collection apparatus is a mirror image of the right side elevation view shown in FIG. 5; and,
FIG. 6 is a rear elevation view of the I.V. infusion or blood collection apparatus.

Throughout the Figures, broken lines are included for the purpose of illustrating environment of the design and form no part of the claimed design.

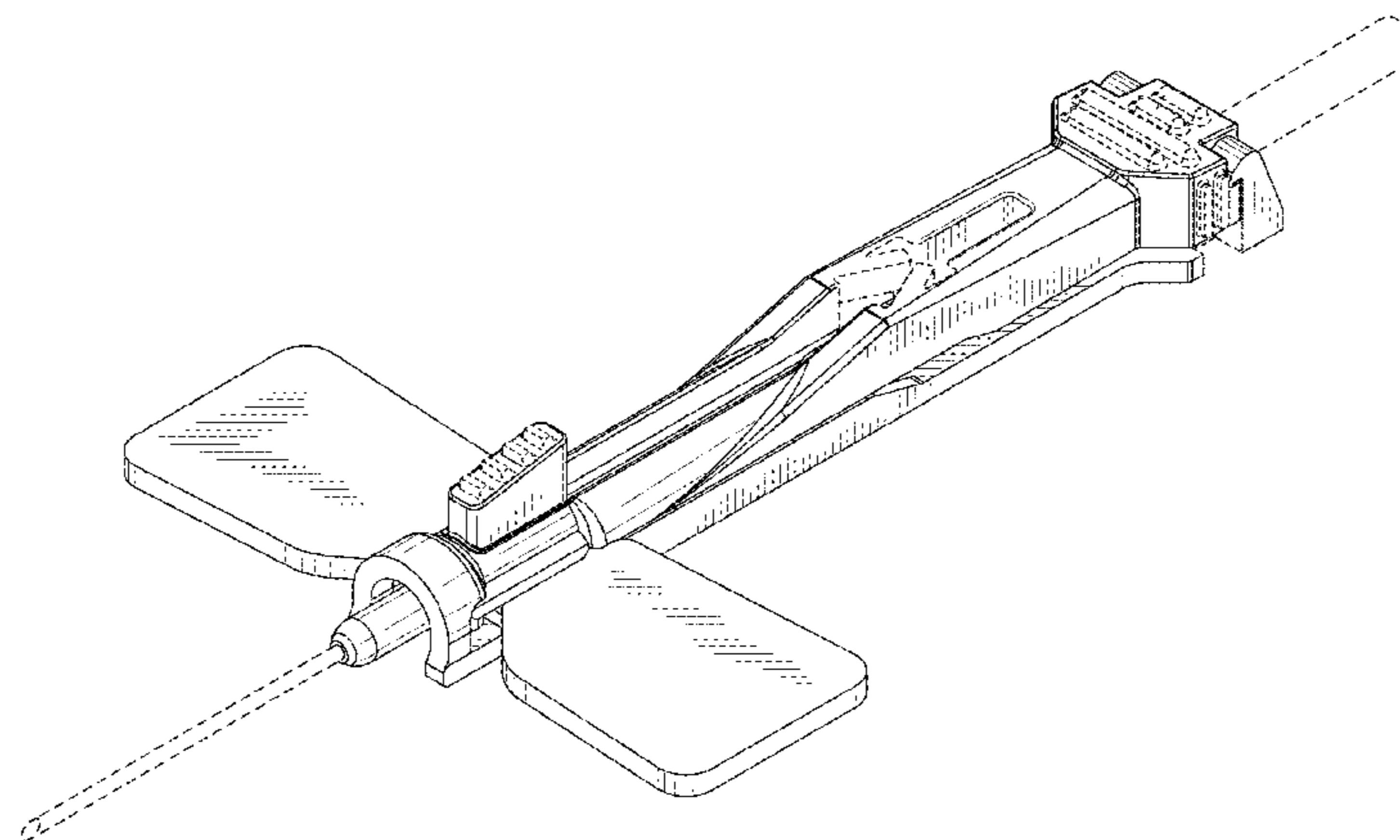
(56) **References Cited**

U.S. PATENT DOCUMENTS

5,120,320 A 6/1992 Fayngold
6,540,732 B1 * 4/2003 Botich A61B 10/02
604/413

(Continued)

1 Claim, 6 Drawing Sheets



(56)

References Cited

U.S. PATENT DOCUMENTS

D672,456 S * 12/2012 Lee-Sepsick D24/112
 D674,082 S * 1/2013 Efinger D24/108
 D686,316 S * 7/2013 Baid D24/112
 D687,547 S * 8/2013 Wang D24/130
 D687,548 S * 8/2013 Hayashi D24/130
 D713,957 S * 9/2014 Woehr D24/112
 D714,436 S * 9/2014 Lee-Sepsick D24/112
 D715,423 S * 10/2014 Rogers D24/112
 8,852,258 B2 * 10/2014 Lubinski A61F 2/966
 604/134
 D726,908 S * 4/2015 Yu D24/130
 9,039,675 B2 5/2015 Howell et al.
 D731,641 S * 6/2015 Du D24/112
 D733,289 S * 6/2015 Blanchard A61M 25/0097
 D24/112
 2007/0088262 A1 4/2007 Jones et al.

OTHER PUBLICATIONS

Examination Report for European Patent Application No. 11738355.4, dated Jul. 27, 2016, 8 pages.

Modified Substantive Examination Adverse Report and Search Report for Malaysian Patent Application No. PI 2013700061, dated Apr. 14, 2017, 3 pages.

International Search Report and Written Opinion for PCT/US2011/044114 dated Nov. 14, 2011, 13 pages.

International Preliminary Report on Patentability for PCT/US2011/044114 dated Oct. 19, 2012, 8 pages.

First Office Action for Chinese Patent Application No. 201180044609.3, dated Jul. 24, 2014, 22 pages.

Second Office Action for Chinese Patent Application No. 201180044609.3 dated Apr. 3, 2015, 18 pages.

Non-final Office Action for U.S. Appl. No. 13/810,326 dated Jun. 19, 2014, 18 pages.

Notice of Allowance for U.S. Appl. No. 13/810,326 dated Apr. 17, 2015, 7 pages.

Third Office Action for Chinese Patent Application No. 2011800446093, dated Dec. 21, 2015, 15 pages.

Notification of Reexamination in Chinese Patent Application No. 201180044609.3, dated Nov. 28, 2017, 16 pages.

* cited by examiner

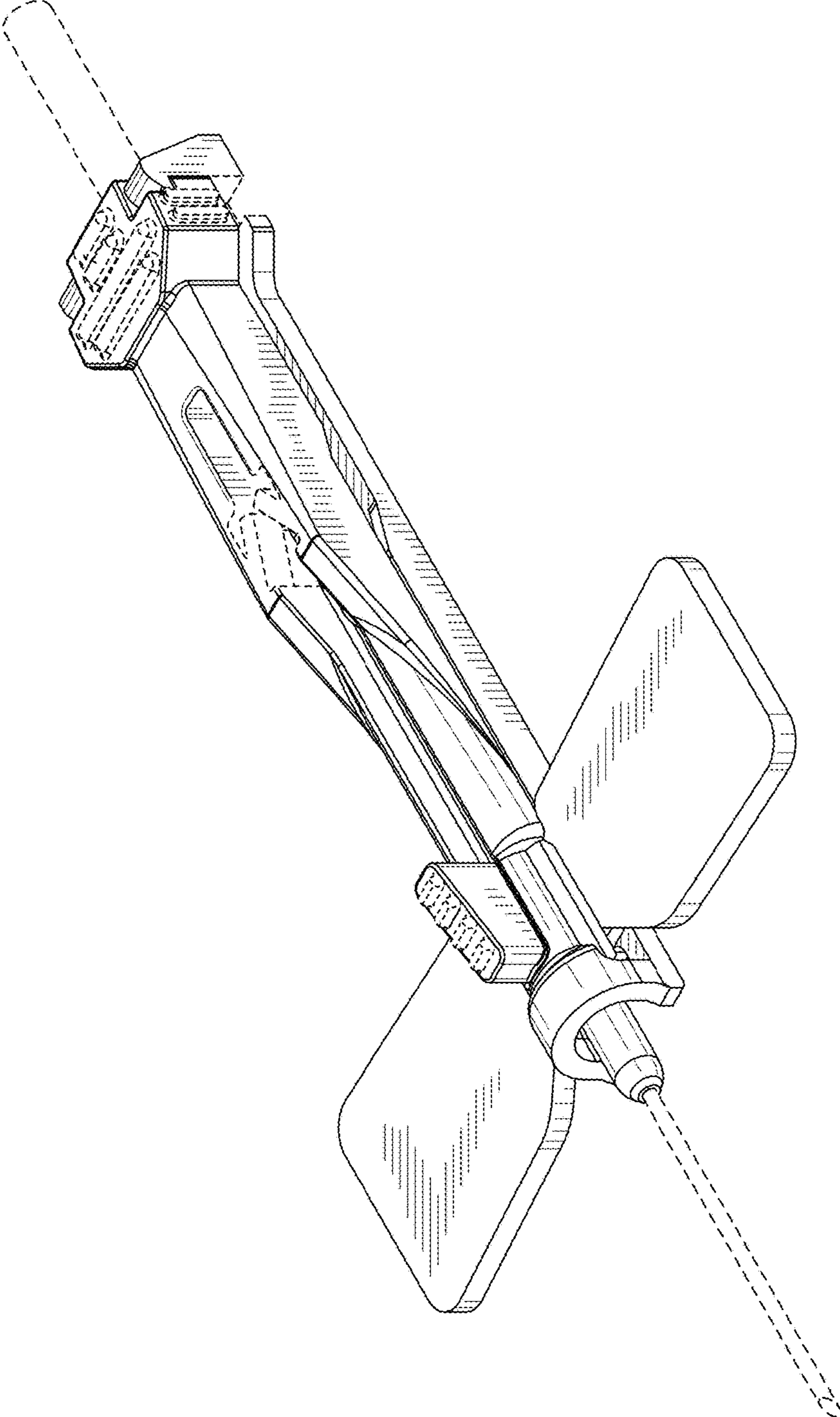


FIG. 1

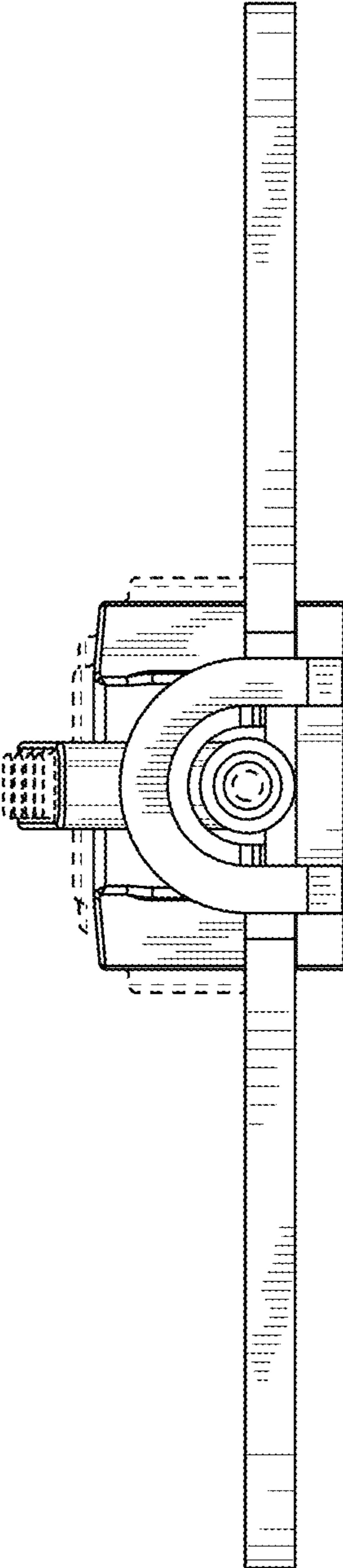


FIG. 2

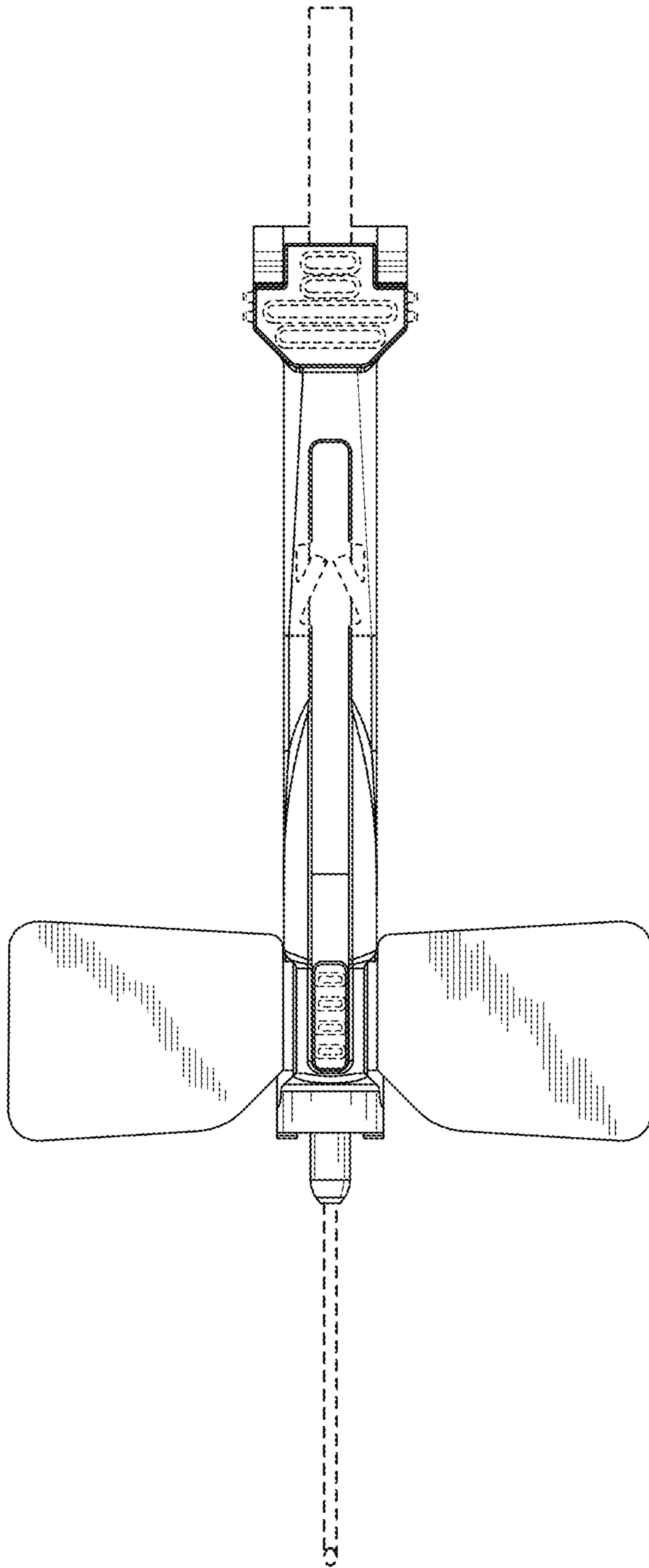


FIG. 3

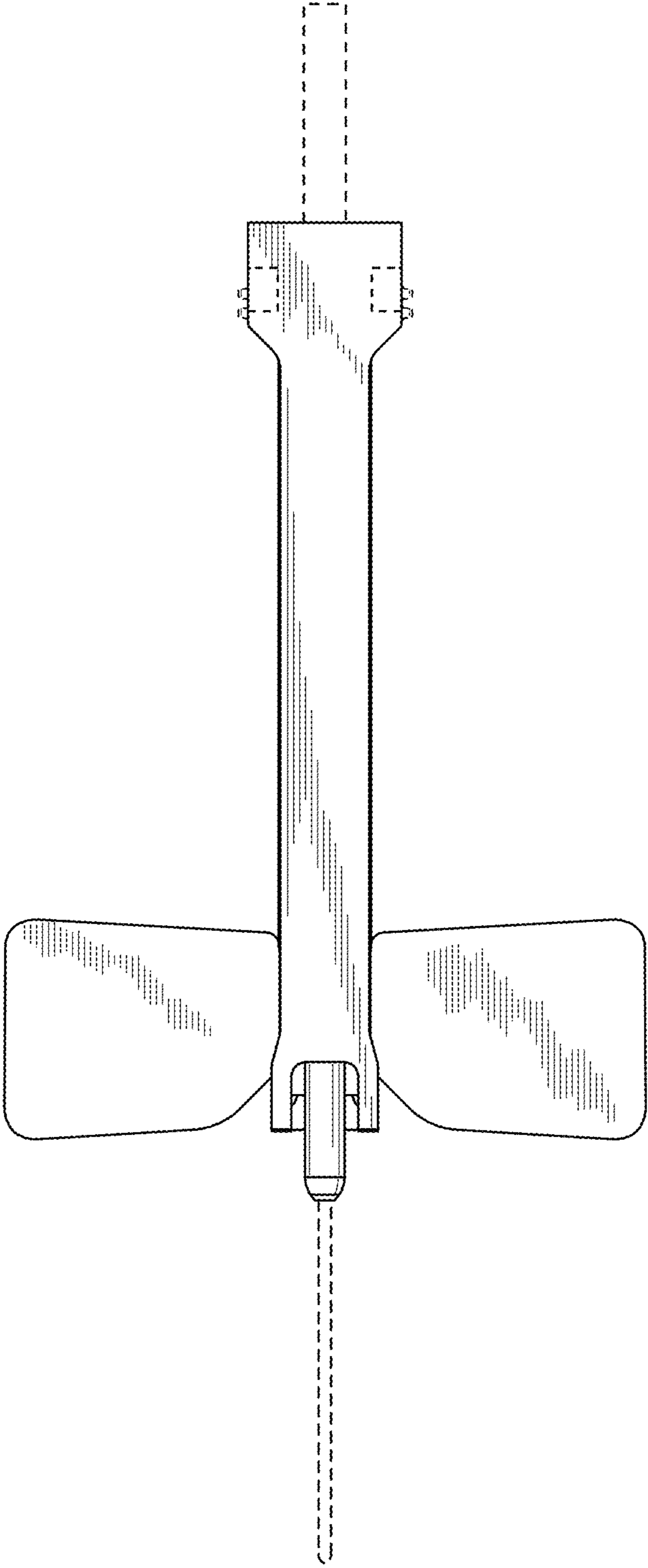


FIG. 4

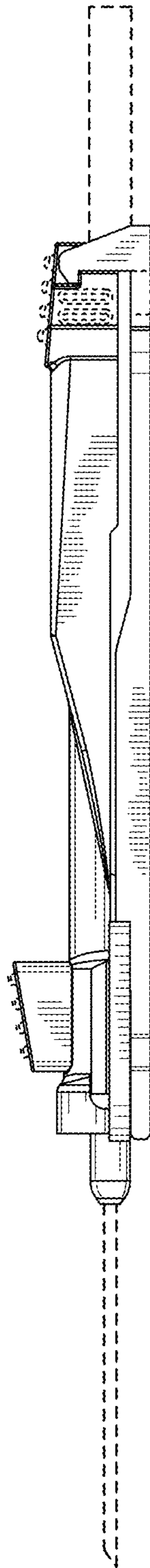


FIG. 5

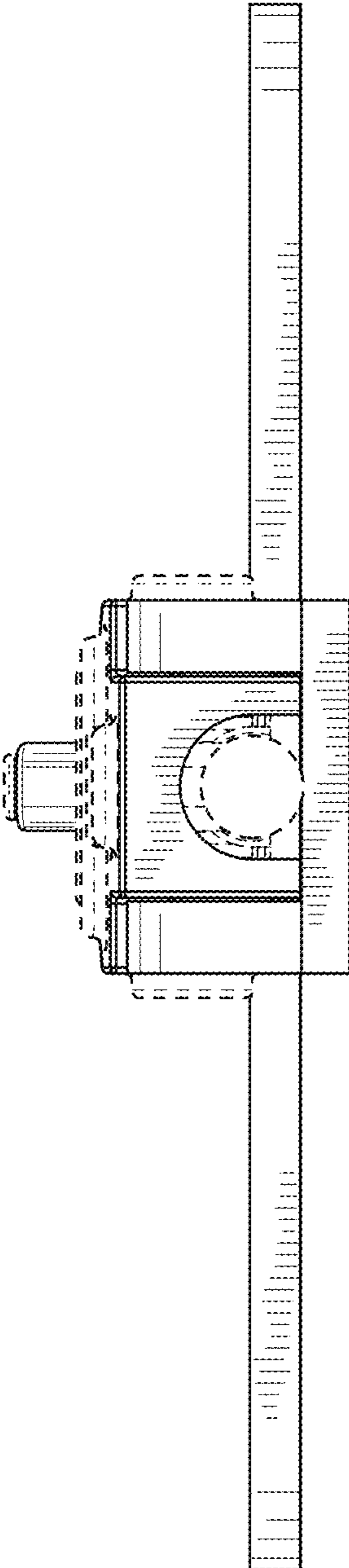


FIG. 6