



US00D817478S

(12) **United States Design Patent**  
**Zoellner et al.**

(10) **Patent No.:** **US D817,478 S**

(45) **Date of Patent:** **\*\* May 8, 2018**

(54) **EXHALATION PORT FOR BREATHING  
CIRCUIT**

(71) Applicant: **Fisher & Paykel Healthcare Limited,**  
Auckland (NZ)

(72) Inventors: **Sascha Kristopher Zoellner,** Auckland  
(NZ); **Katie Fyfe,** Auckland (NZ);  
**Kevin Blake Powell,** Auckland (NZ);  
**James Alexander Gordon,** Auckland  
(NZ)

(73) Assignee: **Fisher & Paykel Healthcare Limited,**  
Auckland (NZ)

(\*\*) Term: **15 Years**

(21) Appl. No.: **29/592,001**

(22) Filed: **Jan. 25, 2017**

(51) **LOC (11) Cl.** ..... **29-02**

(52) **U.S. Cl.**  
USPC ..... **D24/110.6**

(58) **Field of Classification Search**  
USPC ..... D24/110, 110.1–110.6, 127, 129, 164  
CPC .. A61M 16/00; A61M 16/06; A61M 16/0816;  
A61M 16/0883; A61M 16/20; A62B 7/00  
See application file for complete search history.

(56) **References Cited**

**U.S. PATENT DOCUMENTS**

3,812,878	A *	5/1974	Bird	.....	A61M 16/00 137/512
4,265,239	A	5/1981	Fischer, Jr. et al.		
2,348,074	A	2/1997	Lambertsen		
5,647,355	A	7/1997	Starr et al.		
5,685,296	A	11/1997	Zdrojkowski et al.		
5,937,851	A	8/1999	Serowski et al.		
5,937,855	A	8/1999	Zdrojkowski et al.		
5,988,160	A	11/1999	Foley et al.		

6,581,594	B1	6/2003	Drew et al.
6,615,830	B1	9/2003	Serowski et al.
6,823,865	B2	11/2004	Drew et al.
6,851,425	B2	2/2005	Jaffre et al.

(Continued)

**FOREIGN PATENT DOCUMENTS**

WO	WO 2000/050121	8/2000
WO	WO 2005/021075	3/2005

(Continued)

*Primary Examiner* — Karen Kearney

*Assistant Examiner* — Aula Soroush

(74) *Attorney, Agent, or Firm* — Knobbe, Martens, Olson  
& Bear, LLP

(57) **CLAIM**

The ornamental design for an exhalation port for a breathing  
circuit, as shown and described.

**DESCRIPTION**

FIG. 1 is a front perspective view of an exhalation port for  
a breathing circuit, showing our new design.

FIG. 2 is a rear perspective view thereof.

FIG. 3 is a front view thereof.

FIG. 4 is a rear view thereof.

FIG. 5 is a sectional view thereof taken along line 5-5 of  
FIG. 3.

FIG. 6 is a left side view thereof.

FIG. 7 is a right side view thereof.

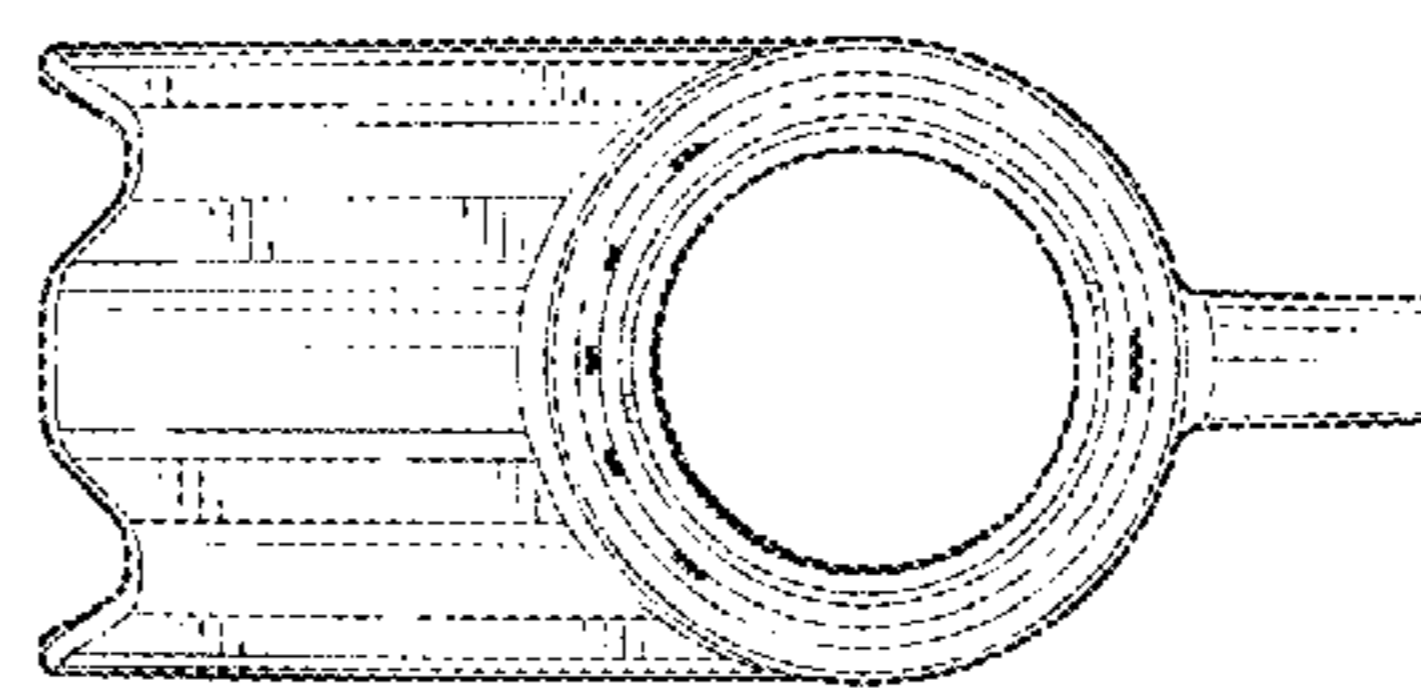
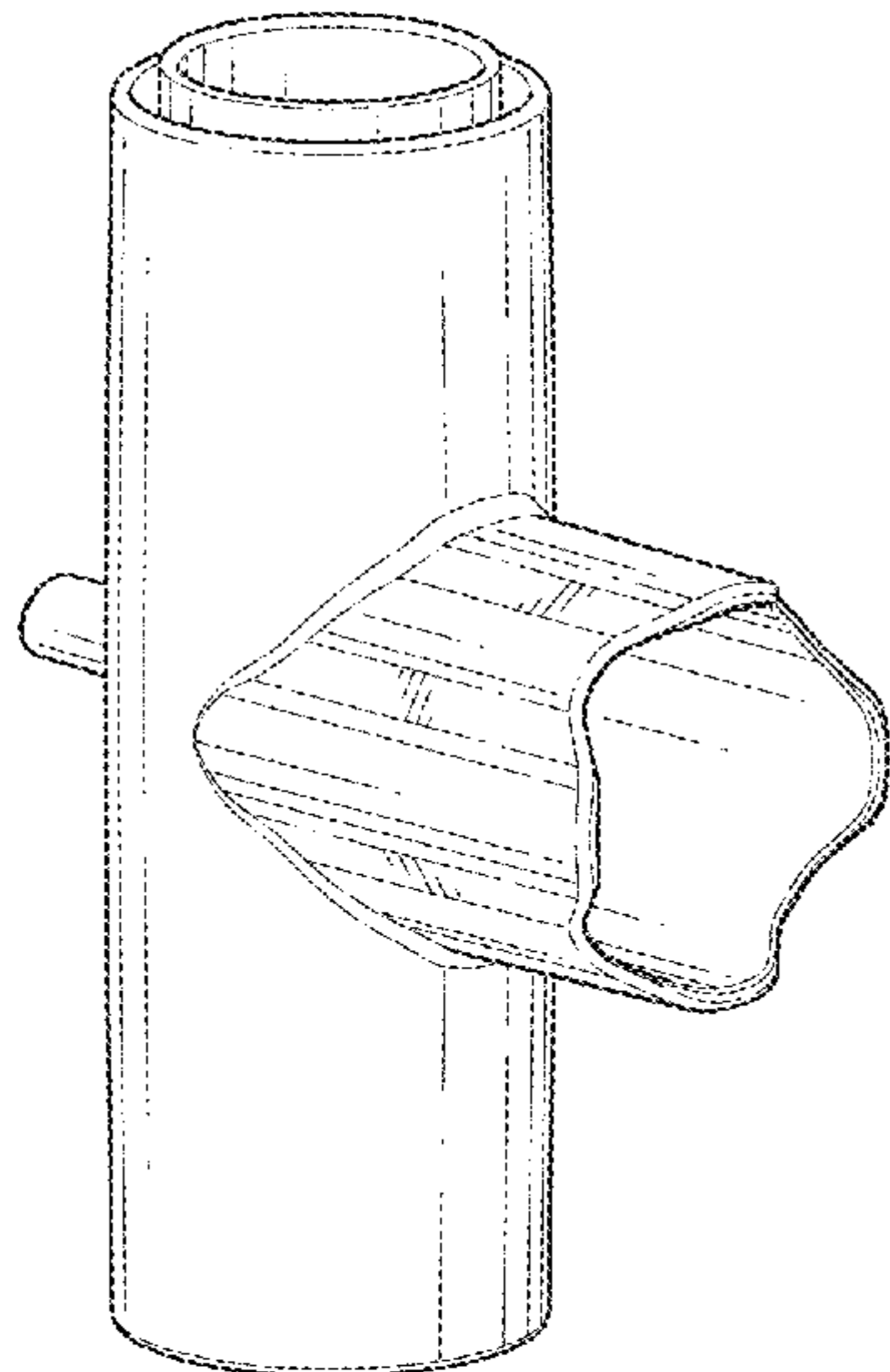
FIG. 8 is a top view thereof; and,

FIG. 9 is a bottom view thereof.

The broken lines in the drawings illustrate portions of the  
exhalation port for a breathing circuit which form no part of  
the claimed design.

The references to “left,” “right,” “front,” “rear,” “top,” and  
“bottom” in the figure descriptions are not meant to require  
certain in-use orientation; the exhalation port according to  
the claimed design may be used in any orientation.

**1 Claim, 4 Drawing Sheets**



(56)

**References Cited**

U.S. PATENT DOCUMENTS

6,851,427	B1 *	2/2005	Nashed .....	A61M 16/0051 128/204.18
7,159,587	B2	1/2007	Drew et al.	
D564,384	S *	3/2008	Kapitulskiy .....	D10/81
7,703,457	B2	4/2010	Barnett et al.	
D638,931	S *	5/2011	Graham .....	A61M 16/0463 D24/127
D691,717	S *	10/2013	McLean .....	D24/110.6
D692,121	S *	10/2013	Fahy .....	D24/110
D692,128	S *	10/2013	Miller .....	D24/110.6
8,678,003	B2	3/2014	Darkin et al.	
8,701,658	B2 *	4/2014	Mazela .....	A61M 16/0816 128/200.14
D724,198	S *	3/2015	Oostman .....	D24/110.1
9,022,029	B2	5/2015	Varga et al.	
9,044,562	B2	6/2015	Dillingham et al.	
2005/0022828	A1 *	2/2005	Fukunaga .....	A61M 16/1055 128/204.18
2005/0066964	A1 *	3/2005	Bathe .....	A61M 16/08 128/200.14
2007/0113854	A1	5/2007	Mcauliffe	
2013/0213401	A1	8/2013	Haibach	
2014/0109901	A9	4/2014	Hallett et al.	
2015/0128950	A1	5/2015	Veliss et al.	

FOREIGN PATENT DOCUMENTS

WO	WO 2015/048849	10/2013
WO	WO 2014/129913	8/2014

\* cited by examiner

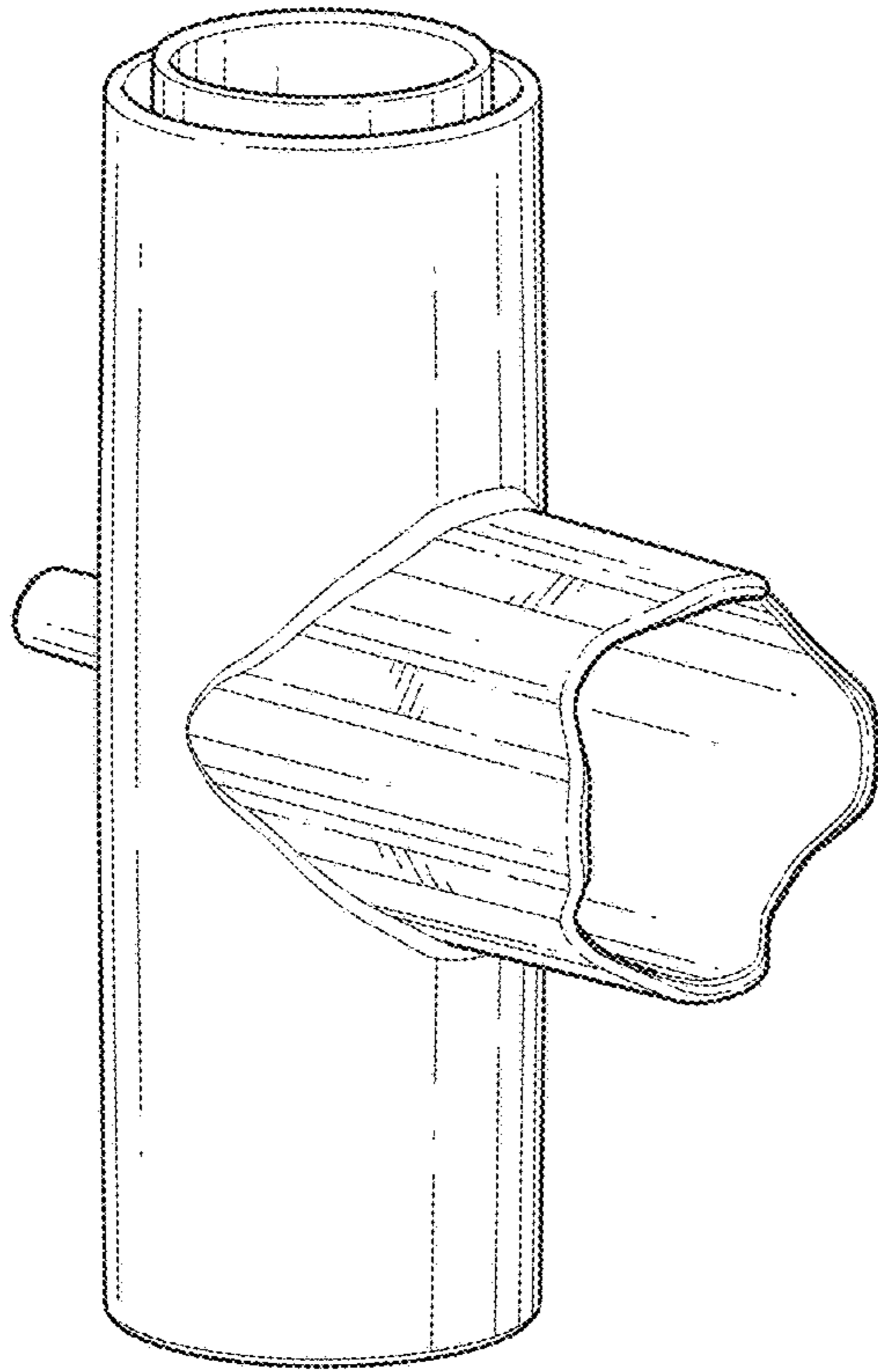


FIG. 1

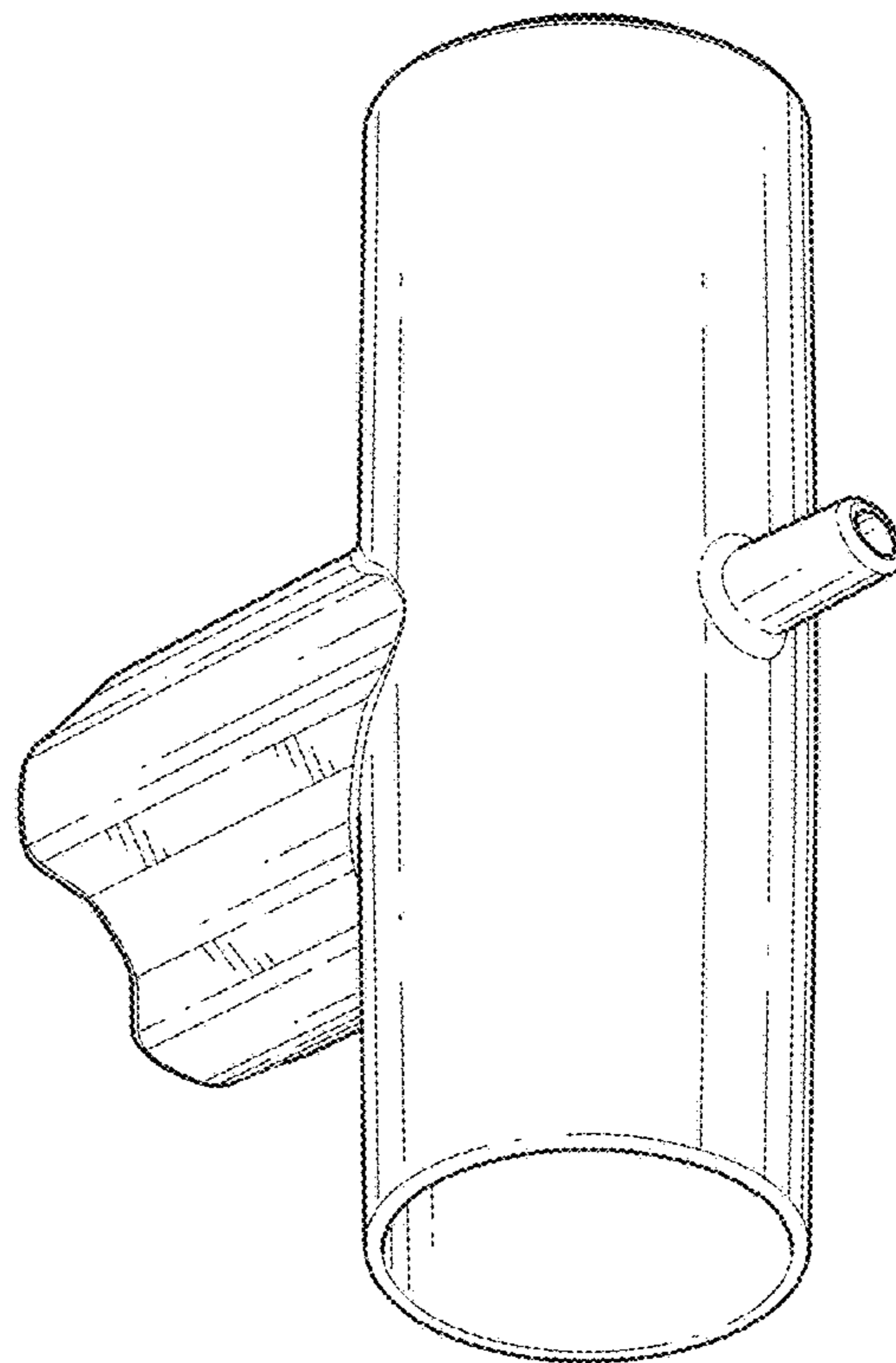


FIG. 2

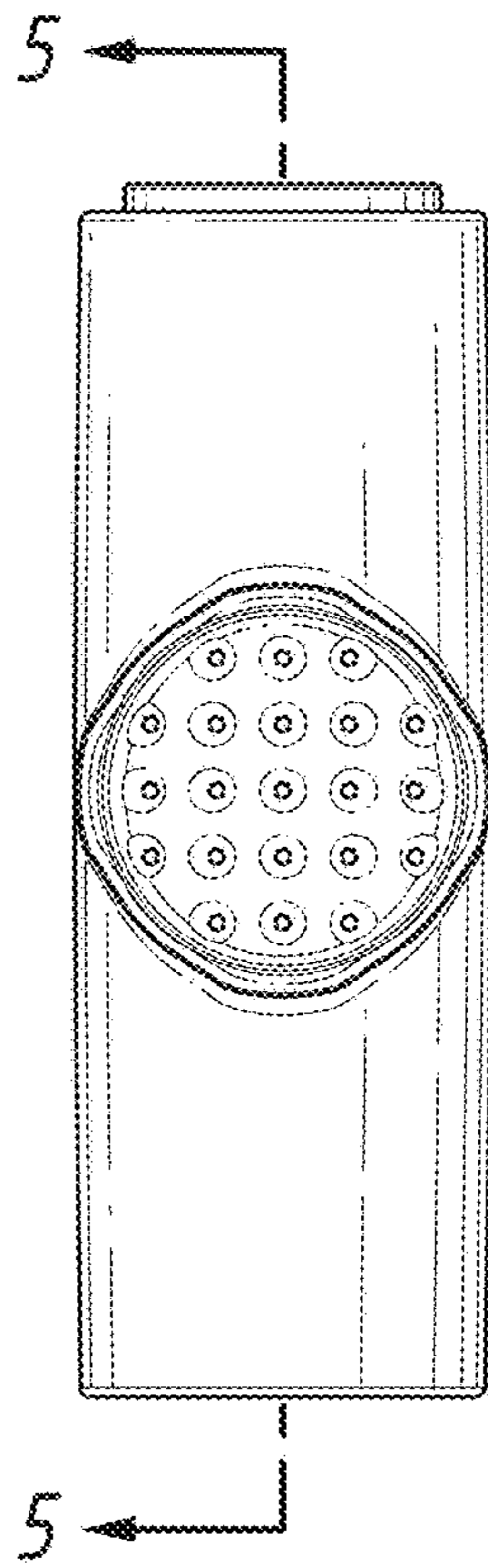


FIG. 3

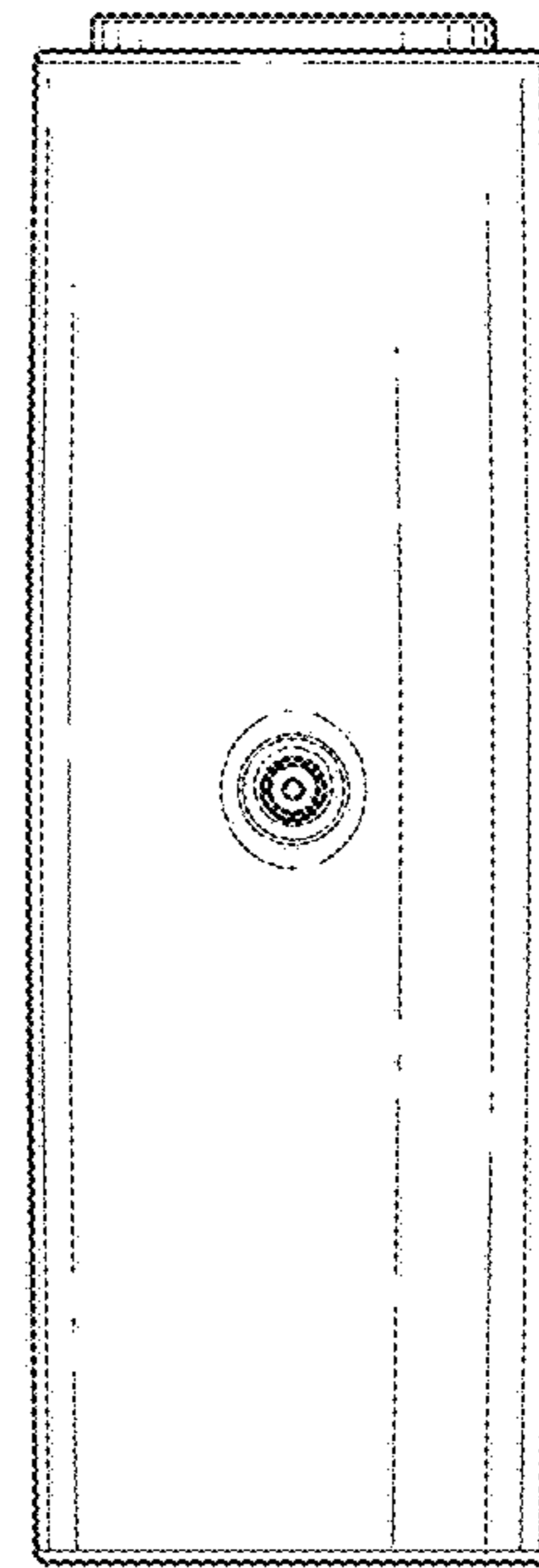


FIG. 4

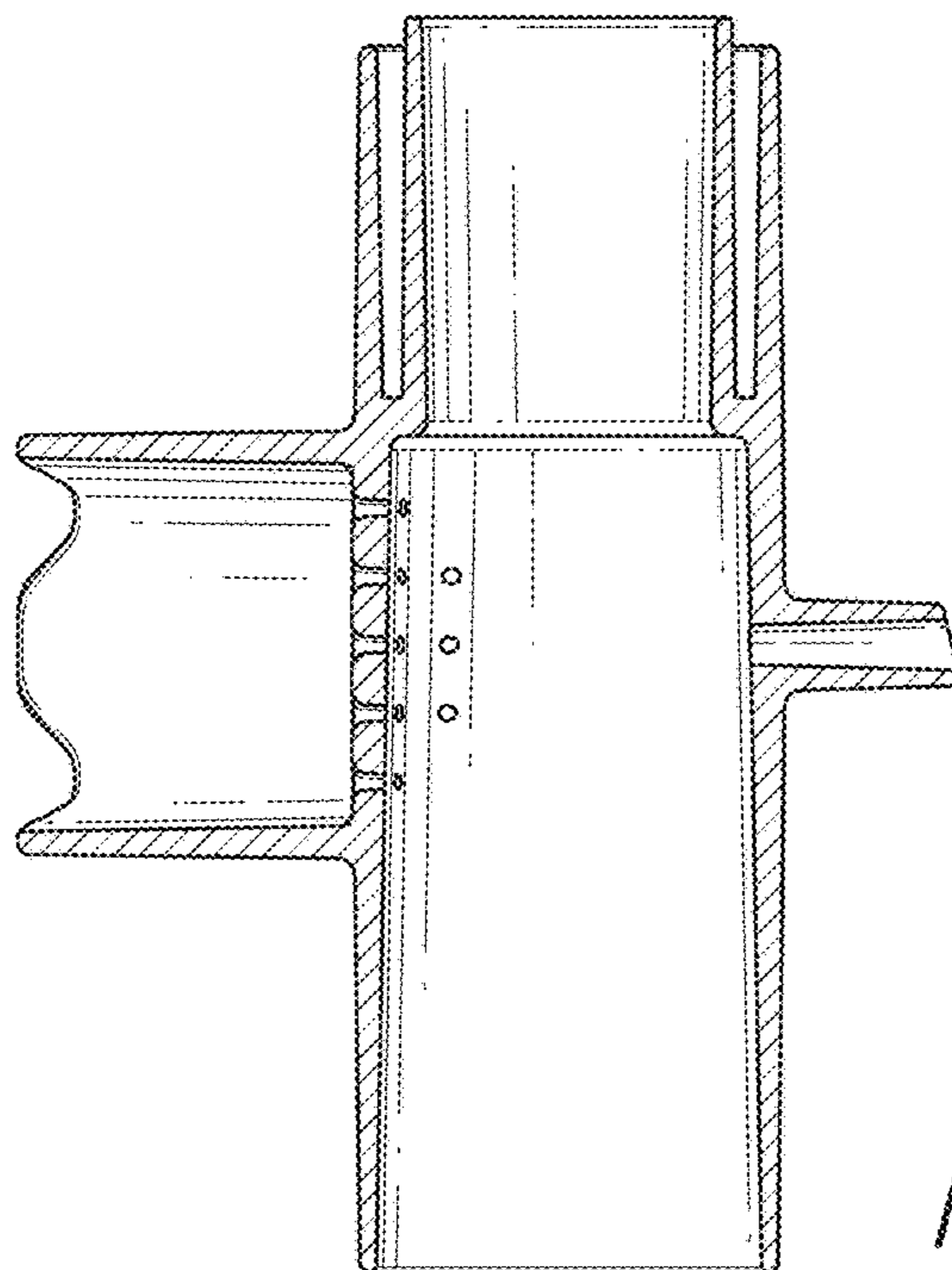
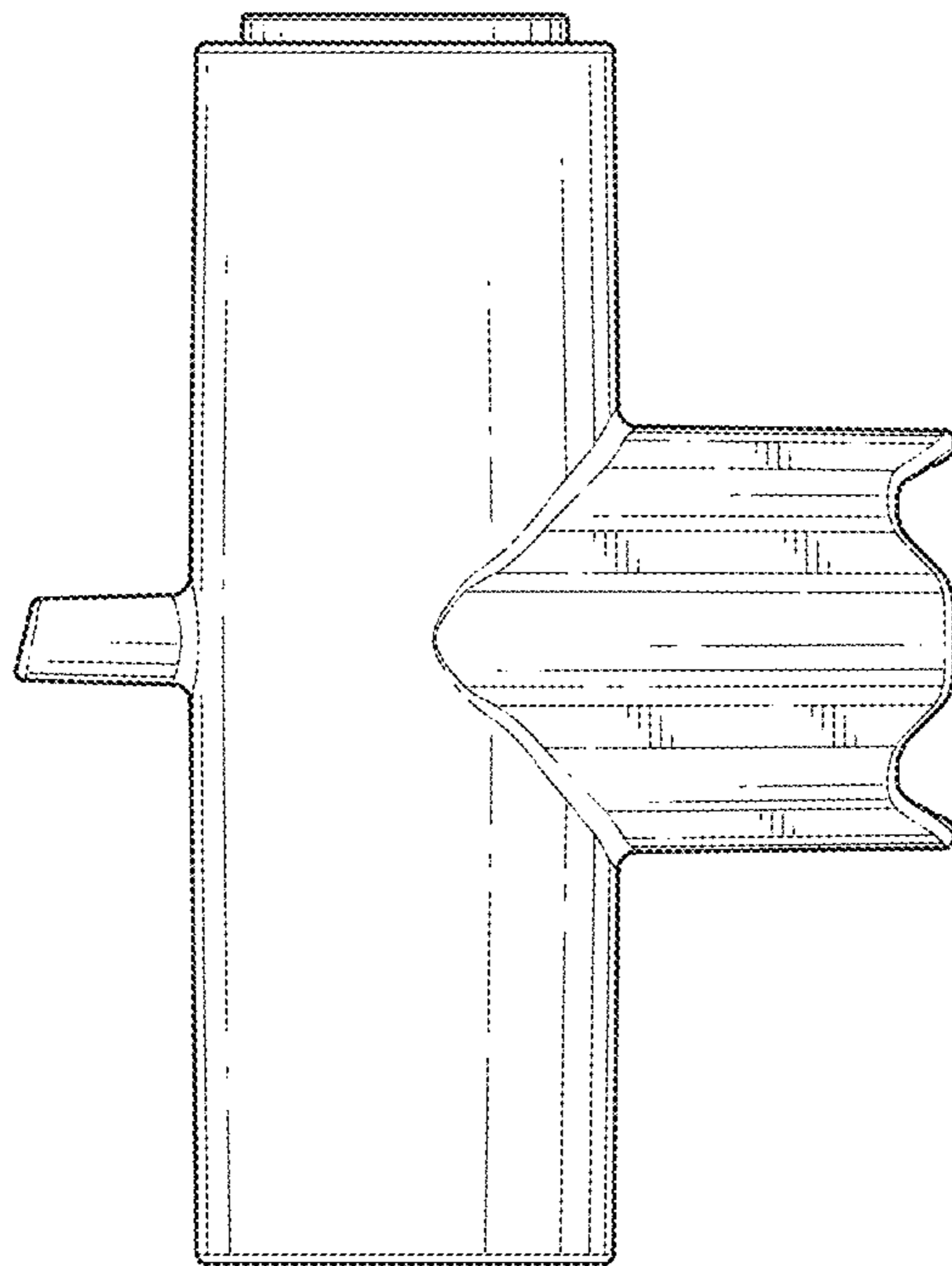
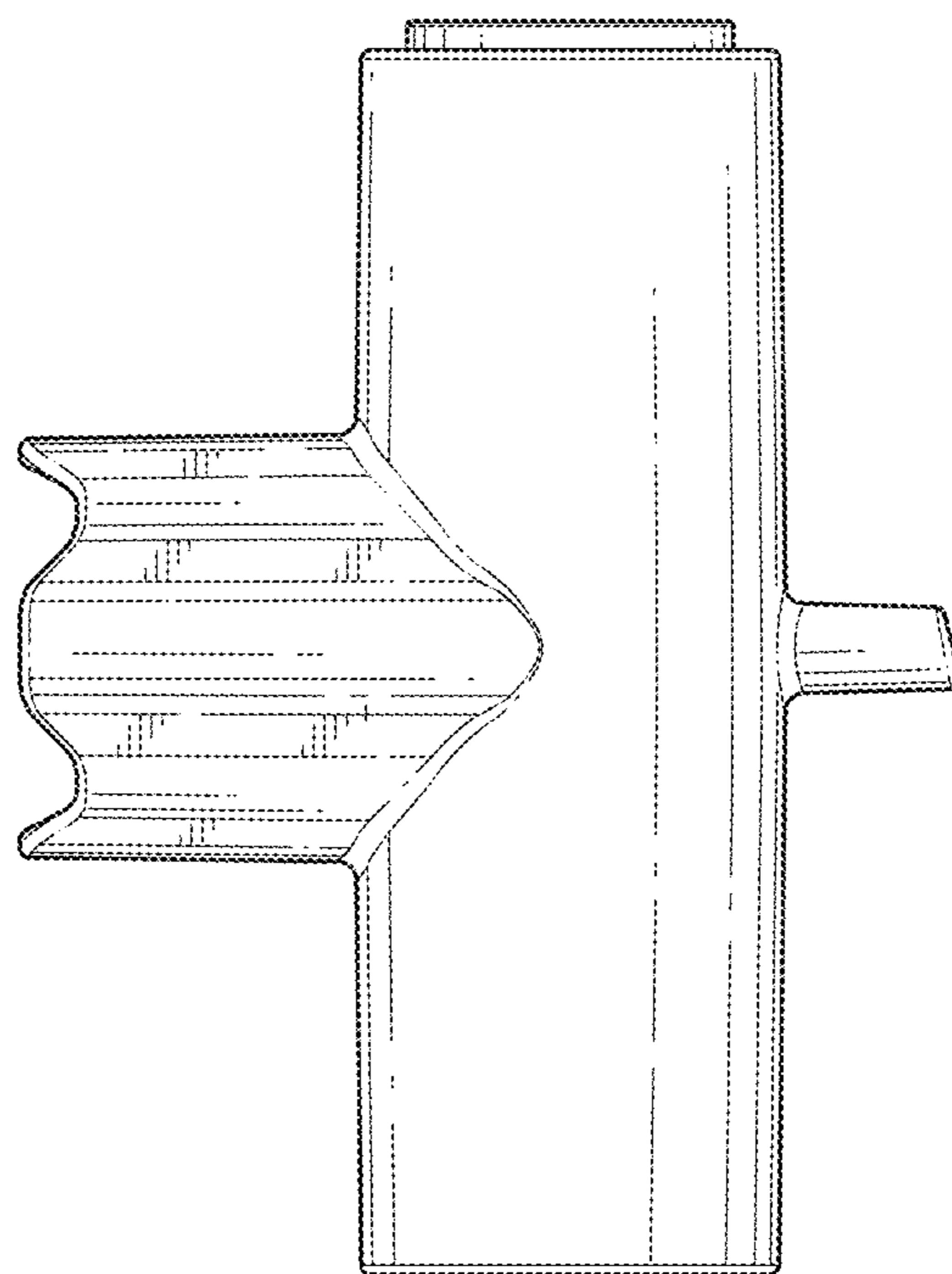


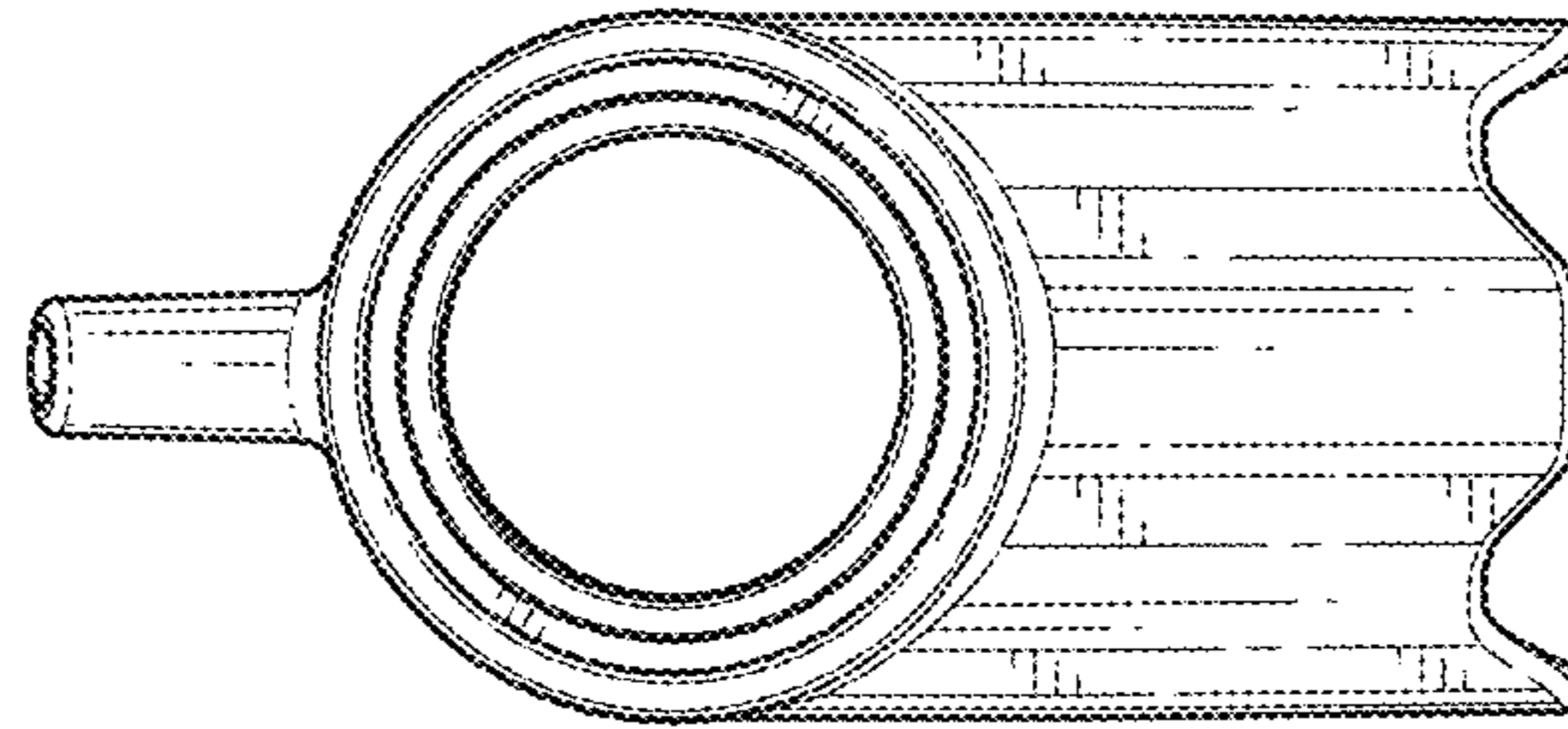
FIG. 5



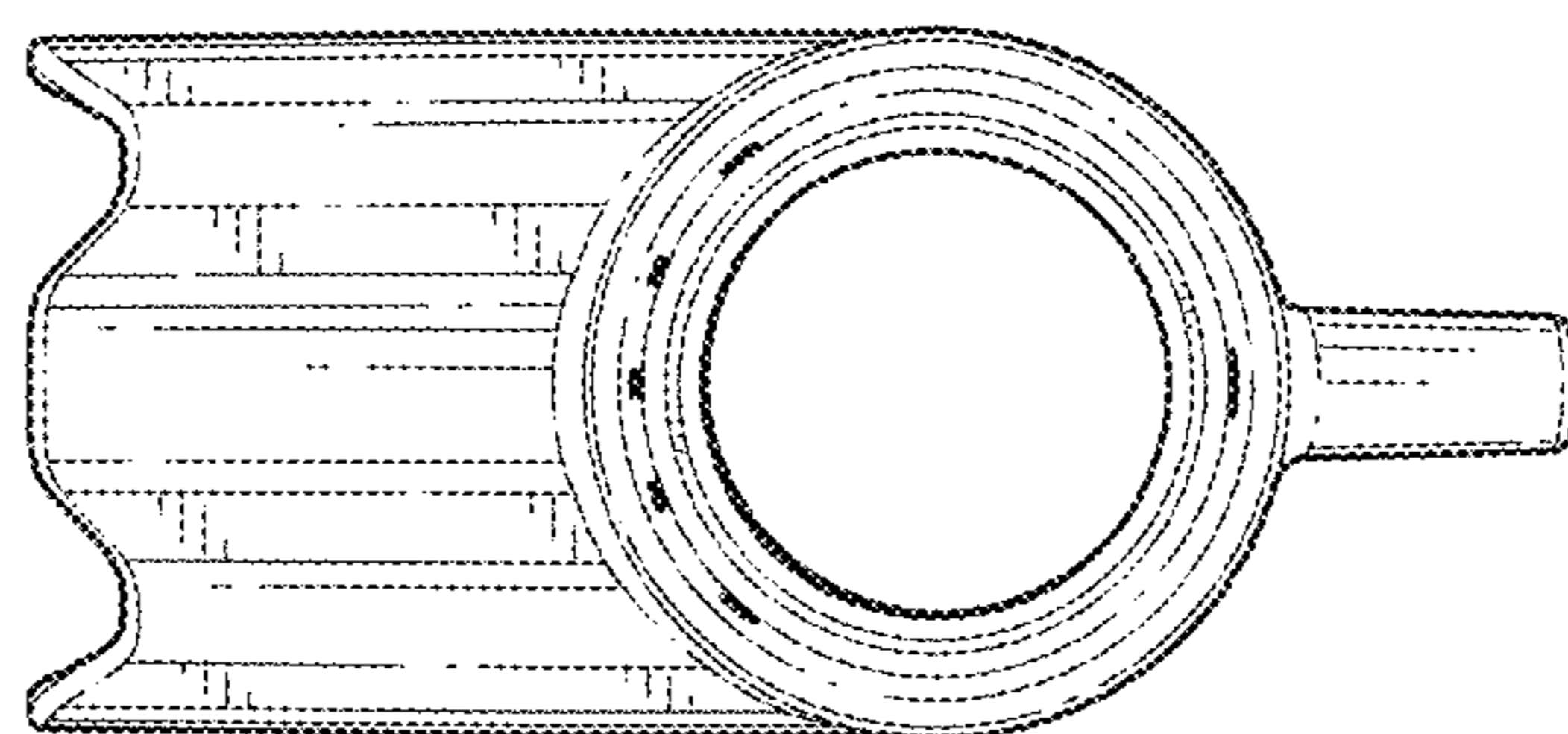
*FIG. 6*



*FIG. 7*



*FIG. 8*



*FIG. 9*