



US00D817475S

(12) **United States Design Patent** (10) **Patent No.:** **US D817,475 S**
Wang (45) **Date of Patent:** **** May 8, 2018**

(54) **COMBINED CEILING FAN HOUSING AND CONNECTION ARM**

(71) Applicant: **AIR COOL INDUSTRIAL CO., LTD.**, Taichung (TW)

(72) Inventor: **Cliff Wang**, Taichung (TW)

(73) Assignee: **AIR COOL INDUSTRIAL CO., LTD.**, Taichung (TW)

(**) Term: **15 Years**

(21) Appl. No.: **29/600,038**

(22) Filed: **Apr. 10, 2017**

(51) **LOC (11) Cl.** **23-03**

(52) **U.S. Cl.**
USPC **D23/411**

(58) **Field of Classification Search**
USPC D23/370-397, 411-414, 499; D26/59, D26/113, 138, 142
CPC F04D 25/088; F04D 29/34; F04D 29/38
See application file for complete search history.

(56) **References Cited**

U.S. PATENT DOCUMENTS

D74,337 S *	1/1928	Xippas	D23/377
D96,952 S *	9/1935	Adams et al.	D23/336
D120,033 S *	4/1940	Kisling	416/181
D156,589 S *	12/1949	Wedderspoon	D23/336
D195,654 S *	7/1963	Morrison	D23/376
D209,247 S *	11/1967	Ayers	D23/377
D254,565 S *	3/1980	Brown	D14/215
5,069,601 A *	12/1991	Shawcross	F04D 25/088 416/204 R
D531,721 S *	11/2006	Hidalgo	D23/411
D532,097 S *	11/2006	Hidalgo	D23/377
D567,350 S *	4/2008	Hidalgo	D23/377
D599,462 S *	9/2009	Roo	D23/377

D646,372 S *	10/2011	Love	D23/377
8,186,941 B2 *	5/2012	Lai	F04D 25/105 415/126
8,354,948 B2 *	1/2013	Priest	G08C 17/02 341/176
D700,311 S *	2/2014	Wang	D23/385
D760,368 S *	6/2016	Chen	D23/377
D783,795 S *	4/2017	Avedon	D23/379
9,714,663 B1 *	7/2017	Avedon	F04D 25/088
D799,667 S *	10/2017	Wang	D23/377
D799,682 S *	10/2017	Wang	D23/411
D808,510 S *	1/2018	Gajewski	D23/377
D808,512 S *	1/2018	Hidalgo	D23/411
2004/0175281 A1 *	9/2004	Remington	F04D 25/088 417/360

(Continued)

Primary Examiner — Cathron C Brooks

Assistant Examiner — Sharon S Oum

(74) *Attorney, Agent, or Firm* — Pai Patent & Trademark Law Firm; Chao-Chang David Pai

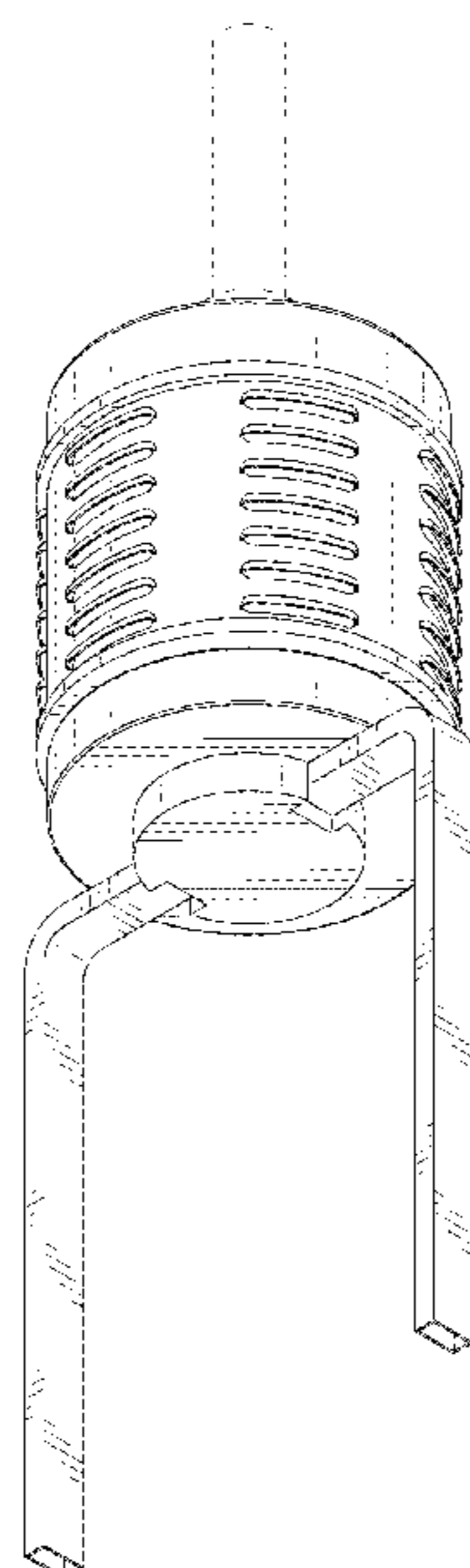
(57) **CLAIM**

The ornamental design for a combined ceiling fan housing and connection arm, as shown and described.

DESCRIPTION

FIG. 1 is a front top perspective view of a combined ceiling fan housing and connection arm showing my new design; FIG. 2 is a front elevational view thereof; FIG. 3 is a rear elevational view thereof; FIG. 4 is a left side elevational view thereof; FIG. 5 is a right side elevational view thereof; FIG. 6 is a top plan view thereof; FIG. 7 is a bottom plan view thereof; and, FIG. 8 is a front bottom perspective view thereof. The broken lines are for the purpose of illustrating environmental structure and form no part of the claimed design.

1 Claim, 7 Drawing Sheets



(56)

References Cited

U.S. PATENT DOCUMENTS

2009/0238690 A1* 9/2009 Lai F04D 25/088
416/100
2012/0195749 A1* 8/2012 Avedon F04D 25/088
415/211.2
2015/0354578 A1* 12/2015 Avedon F04D 13/06
417/53
2017/0234319 A1* 8/2017 Seccareccia F04D 25/088
415/203

* cited by examiner

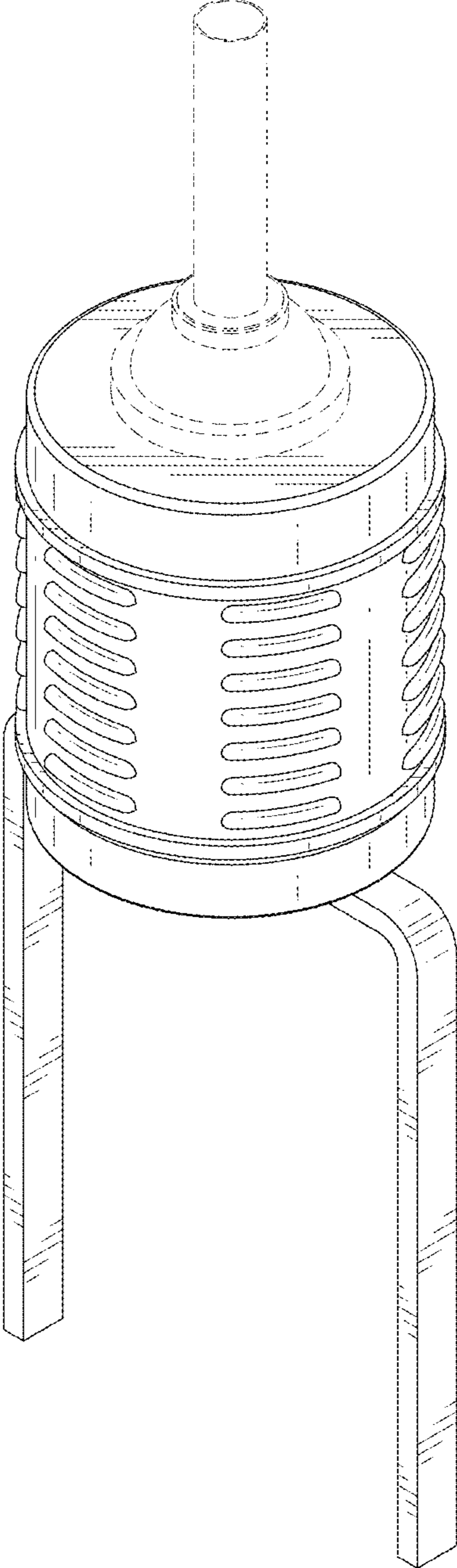


FIG. 1

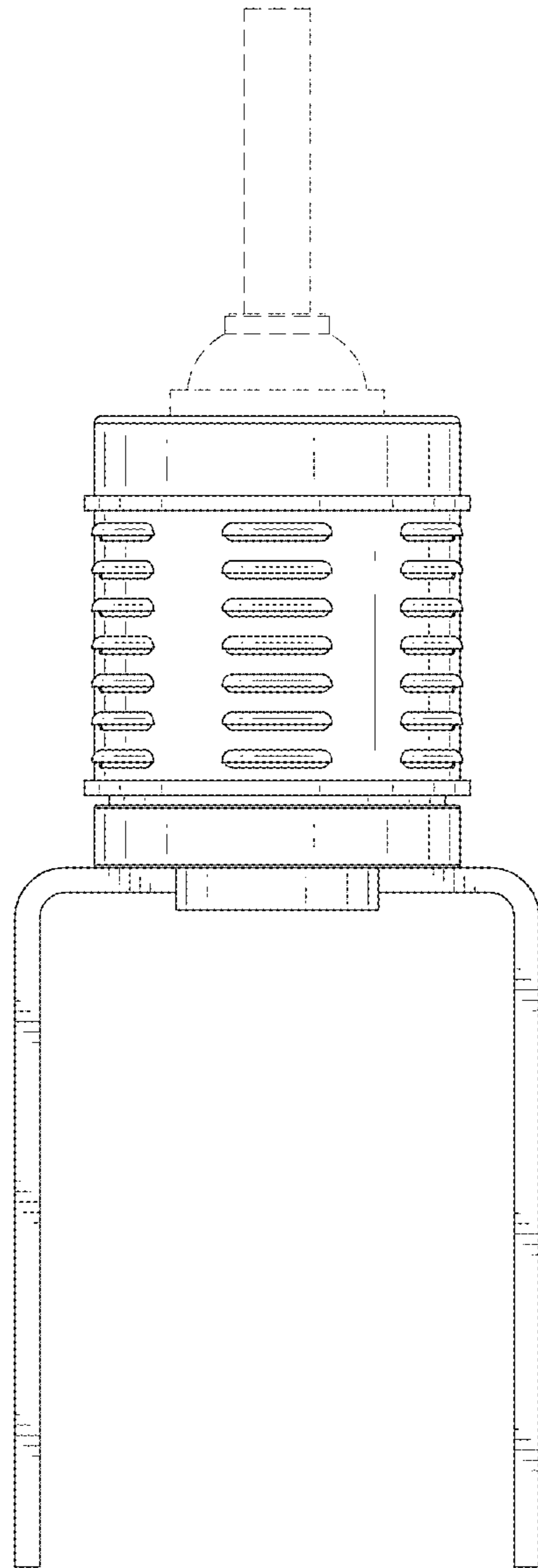


FIG. 2

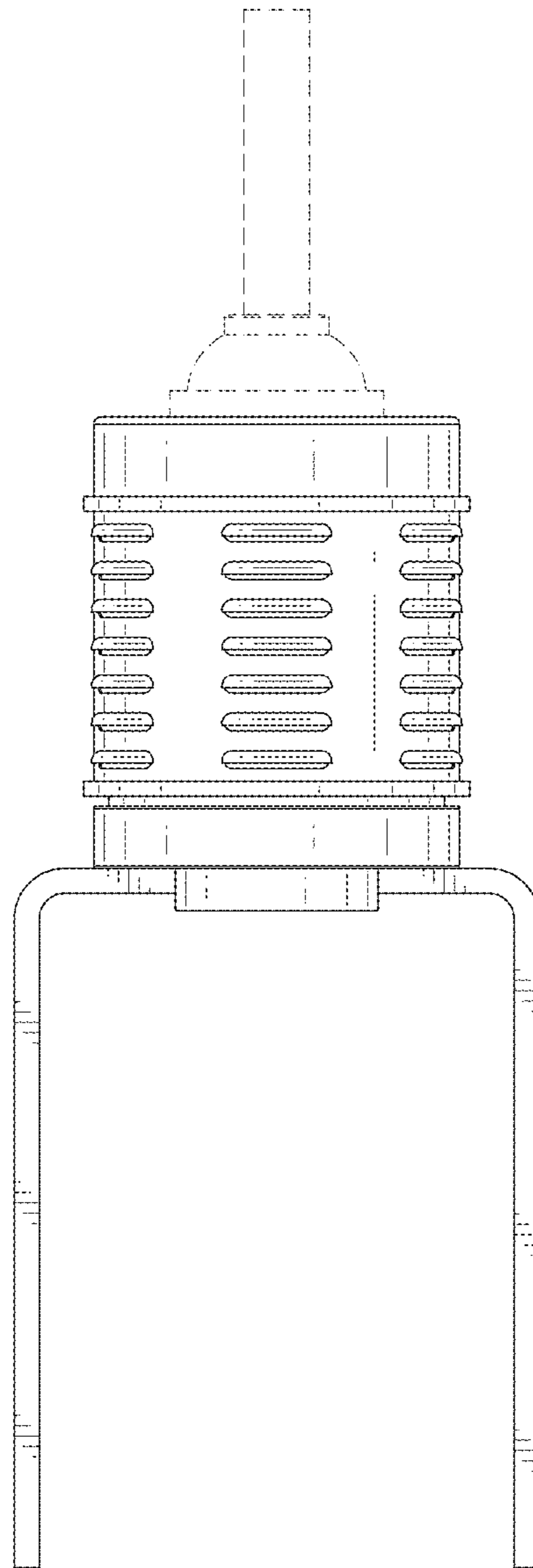


FIG. 3

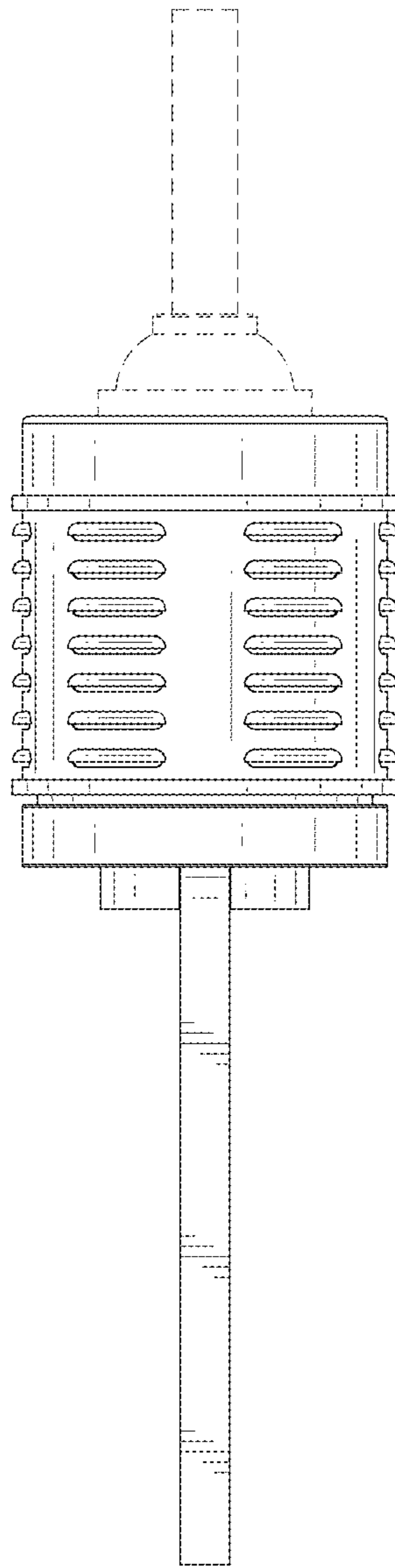


FIG. 4

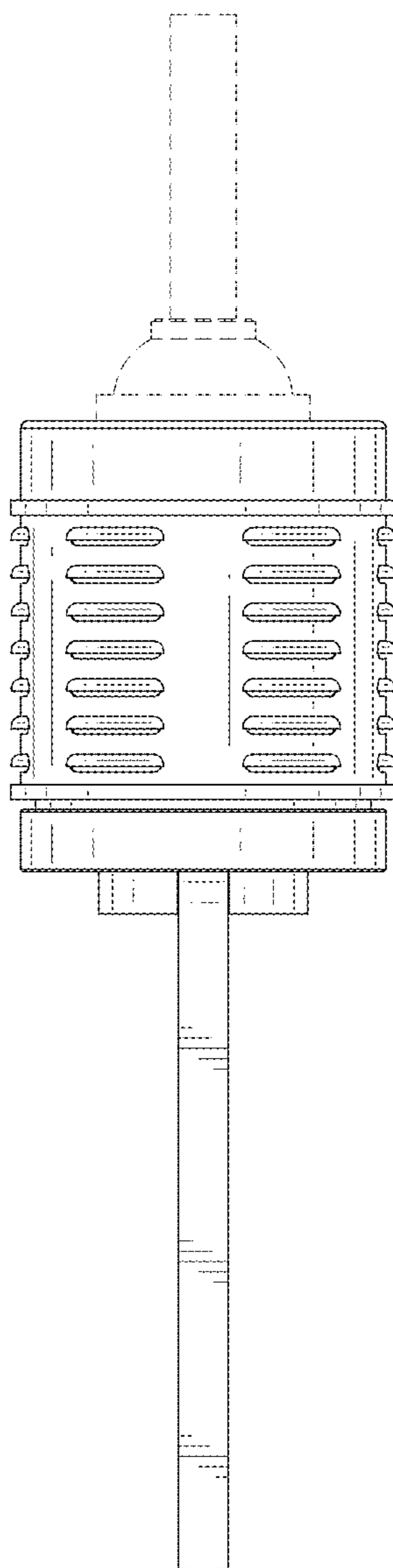


FIG. 5

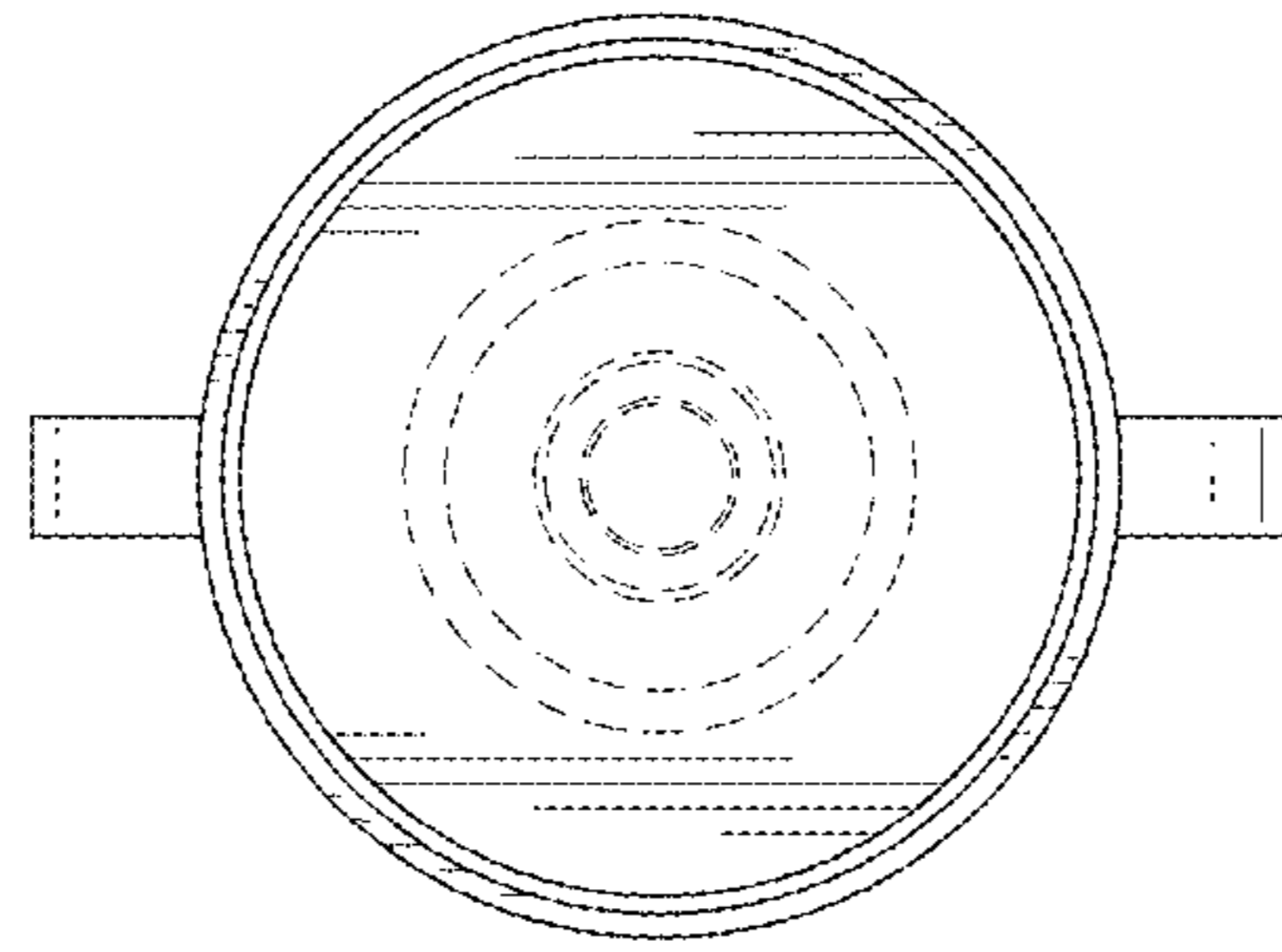


FIG. 6

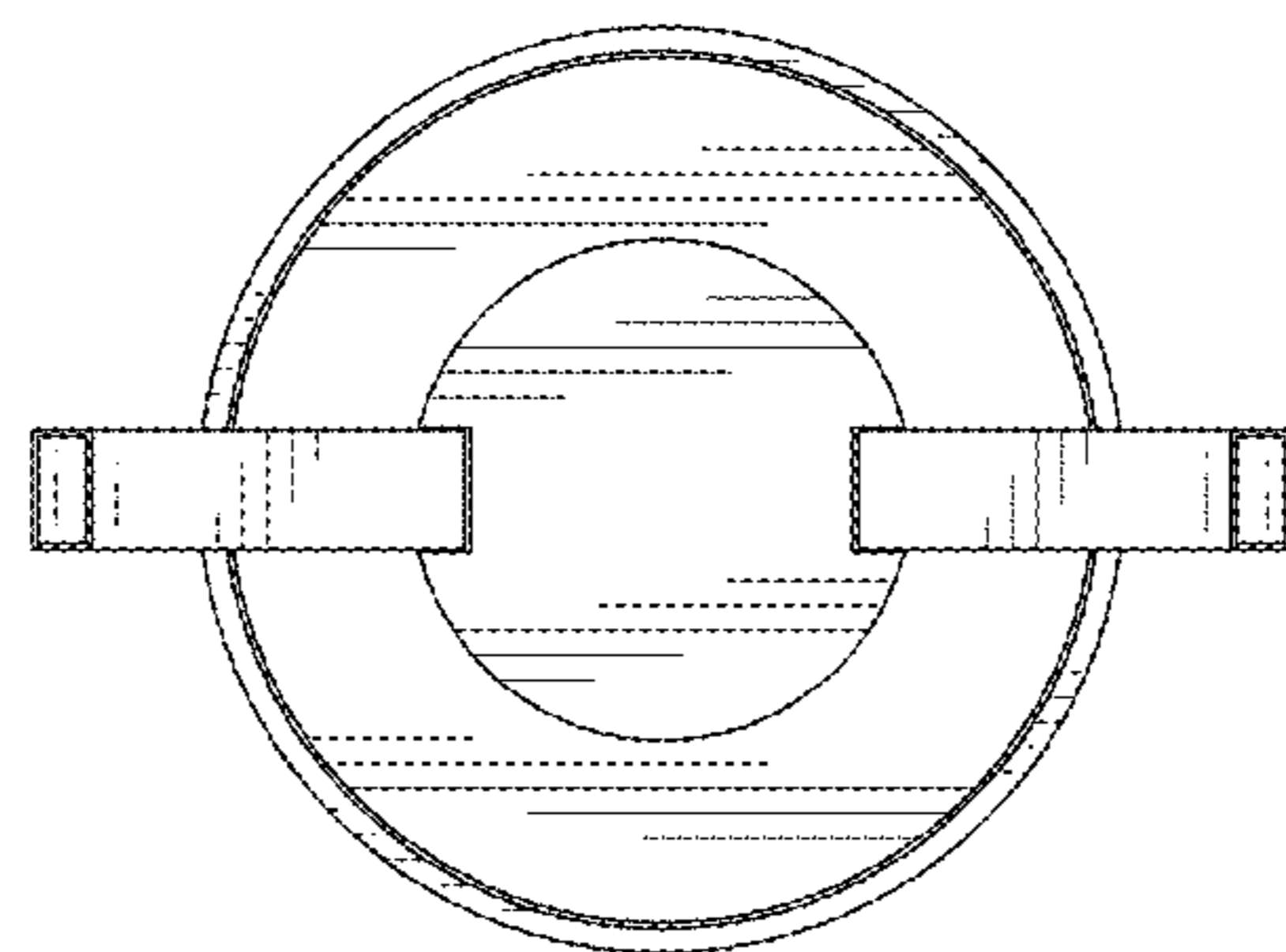


FIG. 7

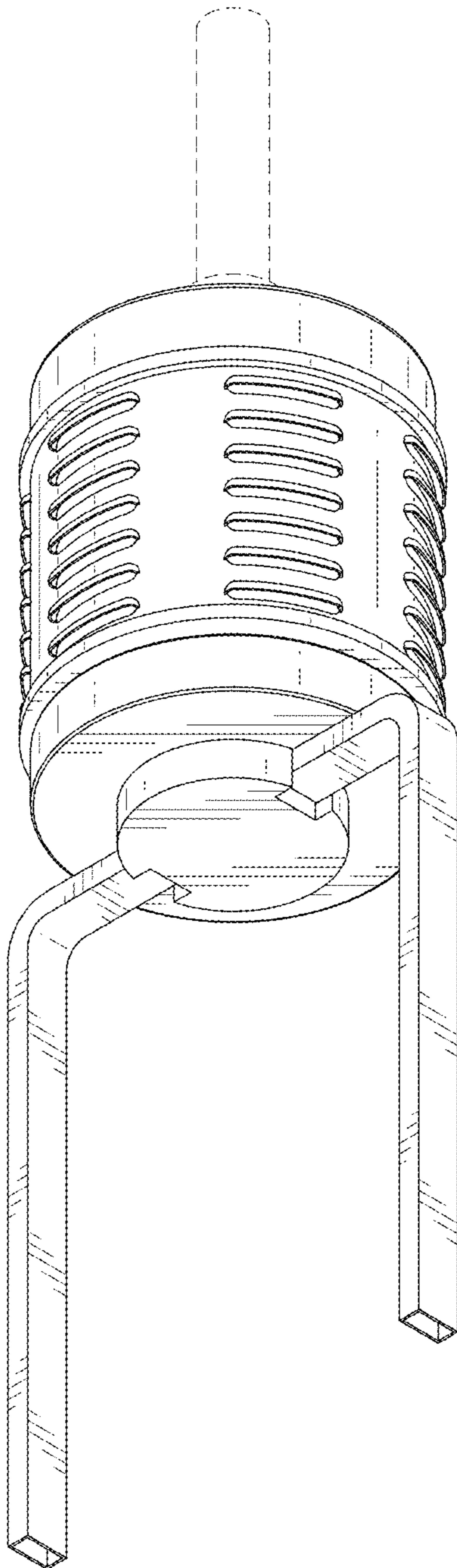


FIG. 8