



US00D817473S

(12) **United States Design Patent**
Liu

(10) **Patent No.:** **US D817,473 S**

(45) **Date of Patent:** **** May 8, 2018**

(54) **ELECTRIC FAN**

(71) Applicant: **Baogen Liu, Xinyu (CN)**

(72) Inventor: **Baogen Liu, Xinyu (CN)**

(**) Term: **15 Years**

(21) Appl. No.: **29/608,322**

(22) Filed: **Jun. 21, 2017**

(30) **Foreign Application Priority Data**

May 4, 2017 (CN) 2017 3 0160227

(51) **LOC (11) Cl.** **23-04**

(52) **U.S. Cl.**
USPC **D23/382; D23/332; D23/370**

(58) **Field of Classification Search**
USPC D23/317, 332, 335-337, 370-376,
D23/378-397, 400, 411, 412, 414-419,
D23/499; D32/15

CPC F04D 25/06; F04D 25/08; F04D 25/0673;
F04D 27/004; F04D 19/002

See application file for complete search history.

(56) **References Cited**

U.S. PATENT DOCUMENTS

1,012,110 A * 12/1911 Stowe F04D 25/105
74/47
D77,680 S * 2/1929 Fielding D23/370

D276,550 S * 11/1984 Kouno D23/382
D339,859 S * 9/1993 Cheslock D23/370
D354,558 S * 1/1995 Marvin D23/332
D386,565 S * 11/1997 Jane D23/378
D421,114 S * 2/2000 Lozzio D23/332
D691,256 S * 10/2013 Pan D23/370

* cited by examiner

Primary Examiner — Cathron C Brooks

Assistant Examiner — Sharon S Oum

(74) *Attorney, Agent, or Firm* — Wayne & King LLC

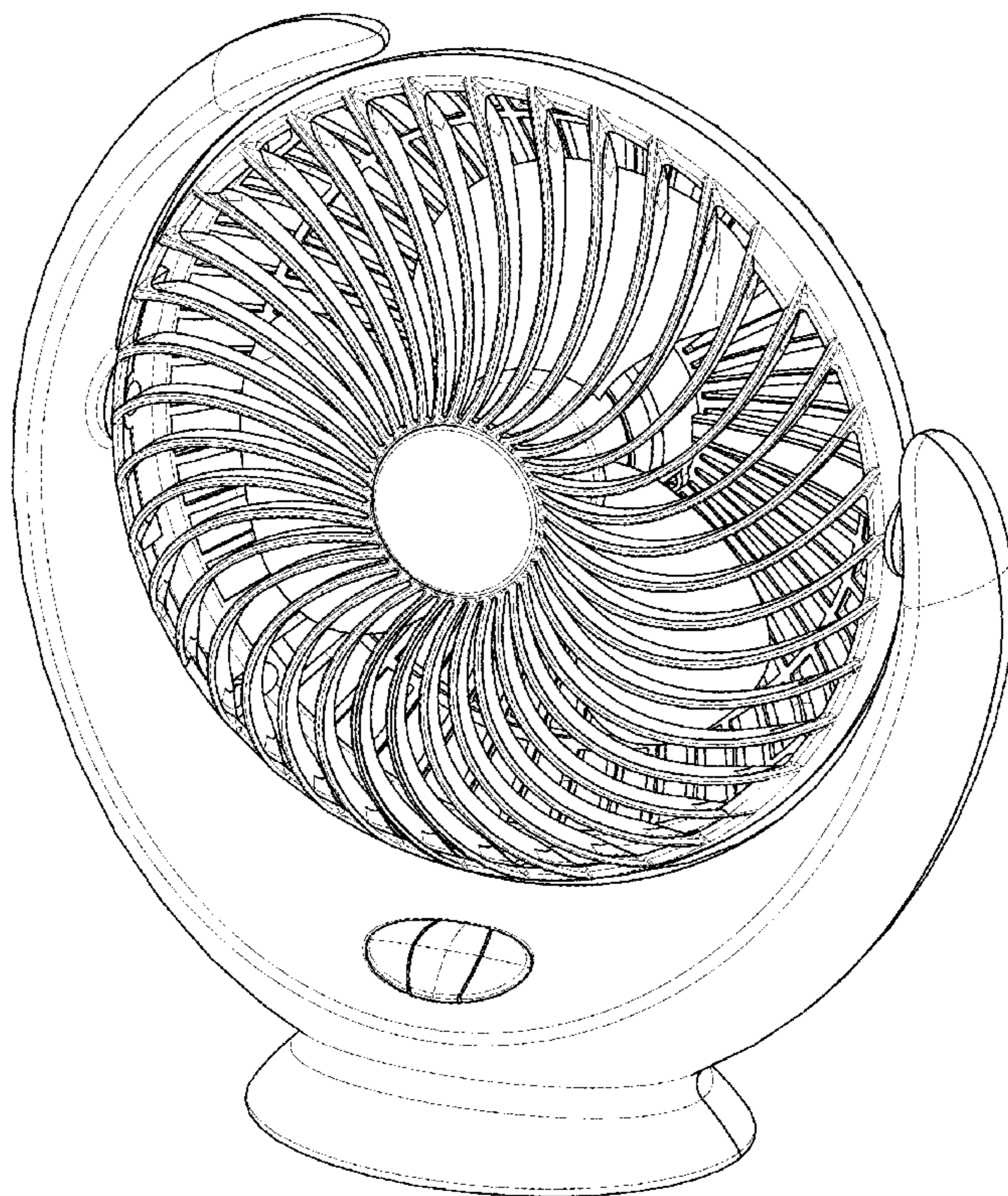
(57) **CLAIM**

The ornamental design for an electric fan, as shown and described.

DESCRIPTION

FIG. 1 is a perspective view showing my design;
FIG. 2 is another perspective view showing my design
FIG. 3 is a front view showing my design;
FIG. 4 is a back view showing my design;
FIG. 5 is a left side view showing my design;
FIG. 6 is a right side view showing my design;
FIG. 7 is a top plan view showing my design; and,
FIG. 8 is a bottom plan view showing my design.

1 Claim, 8 Drawing Sheets



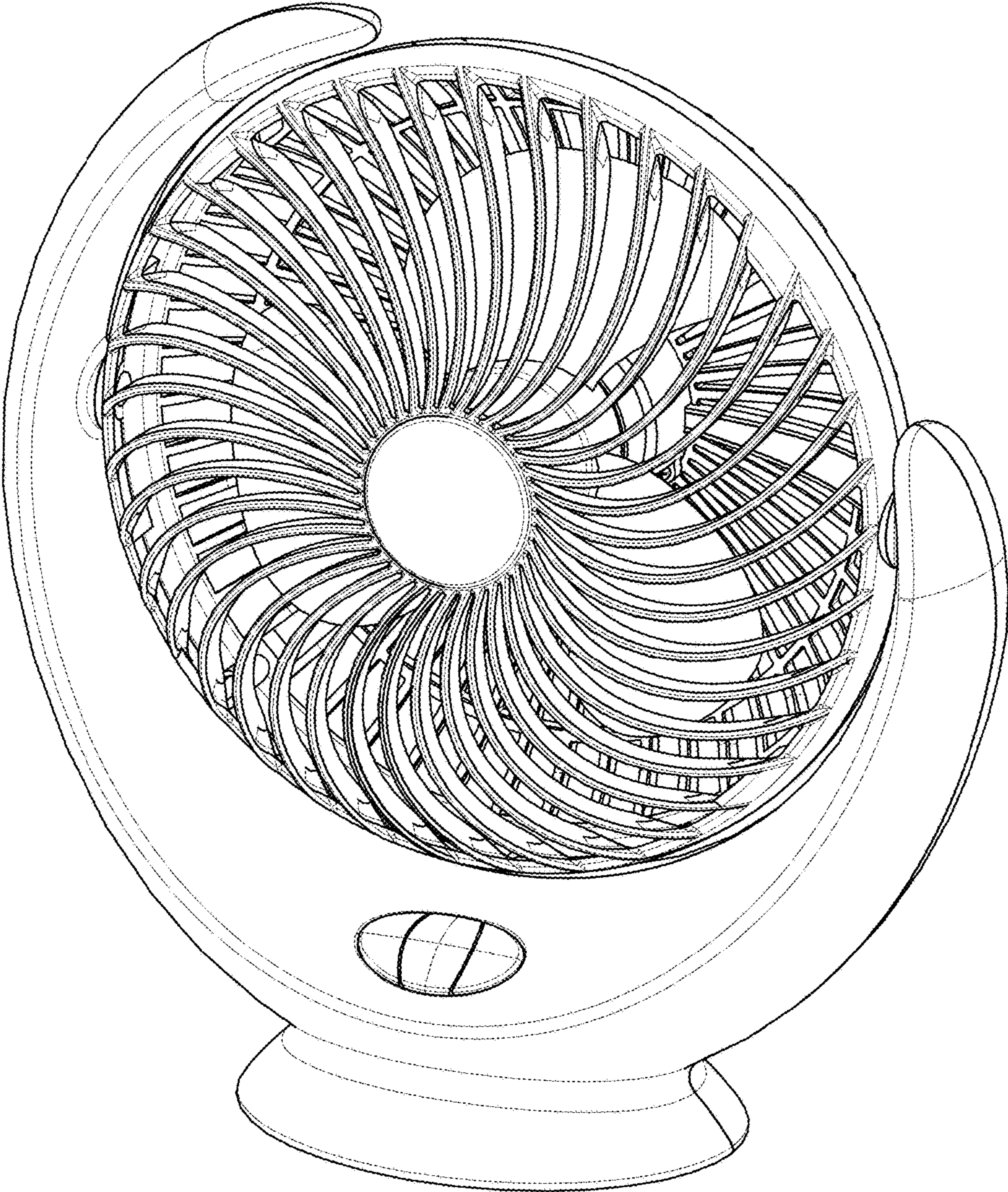


FIG. 1

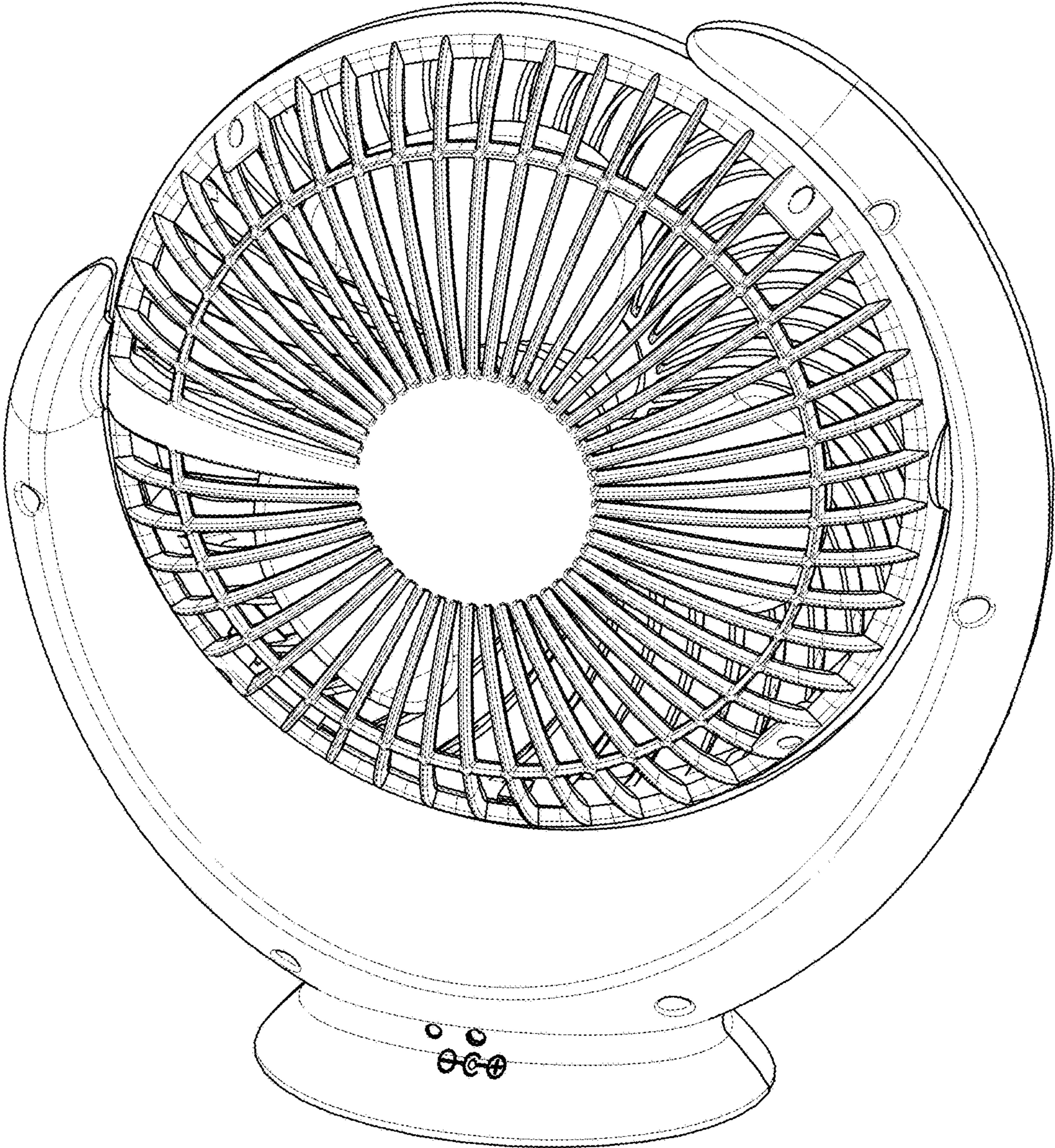


FIG. 2

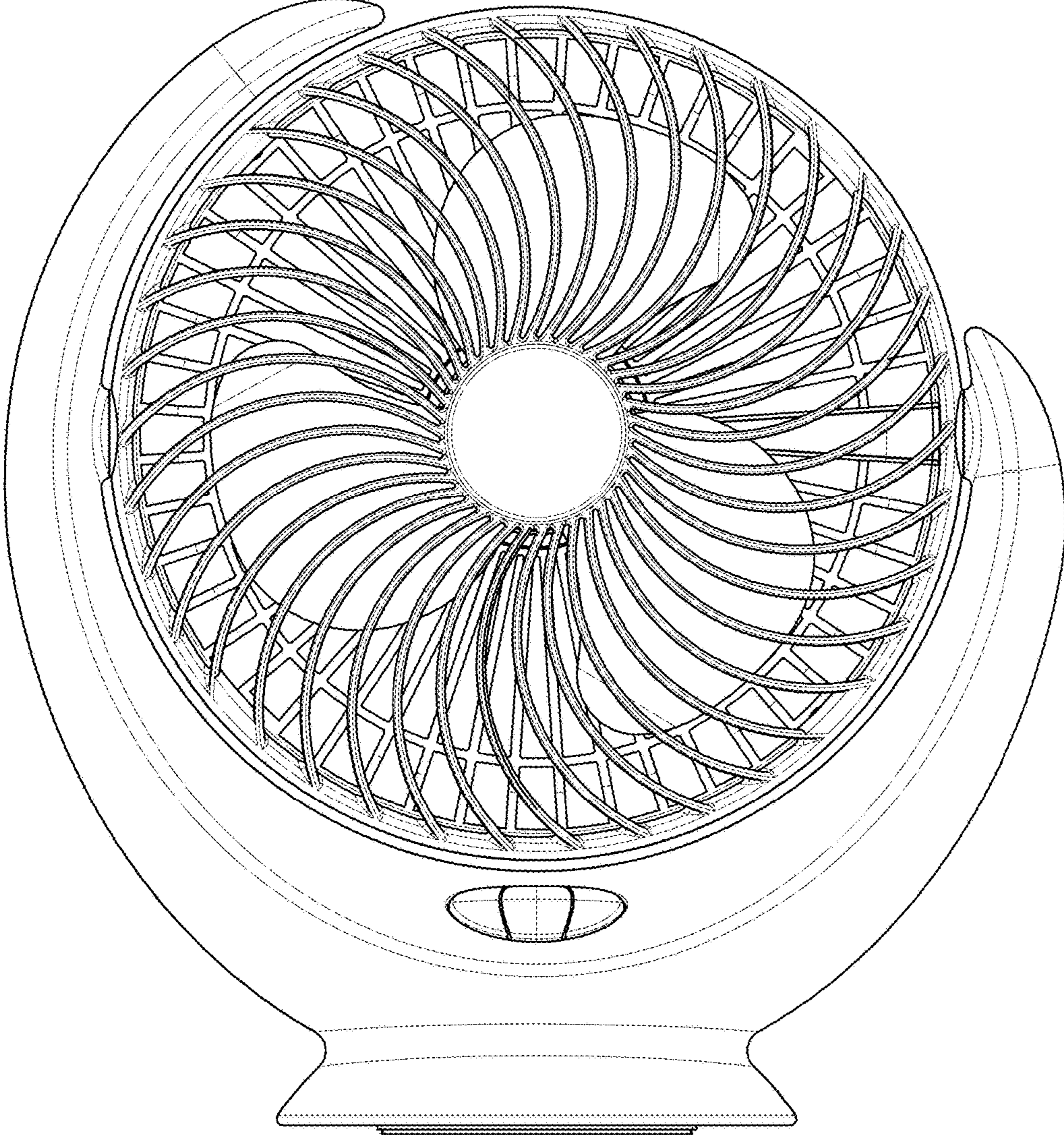


FIG.3

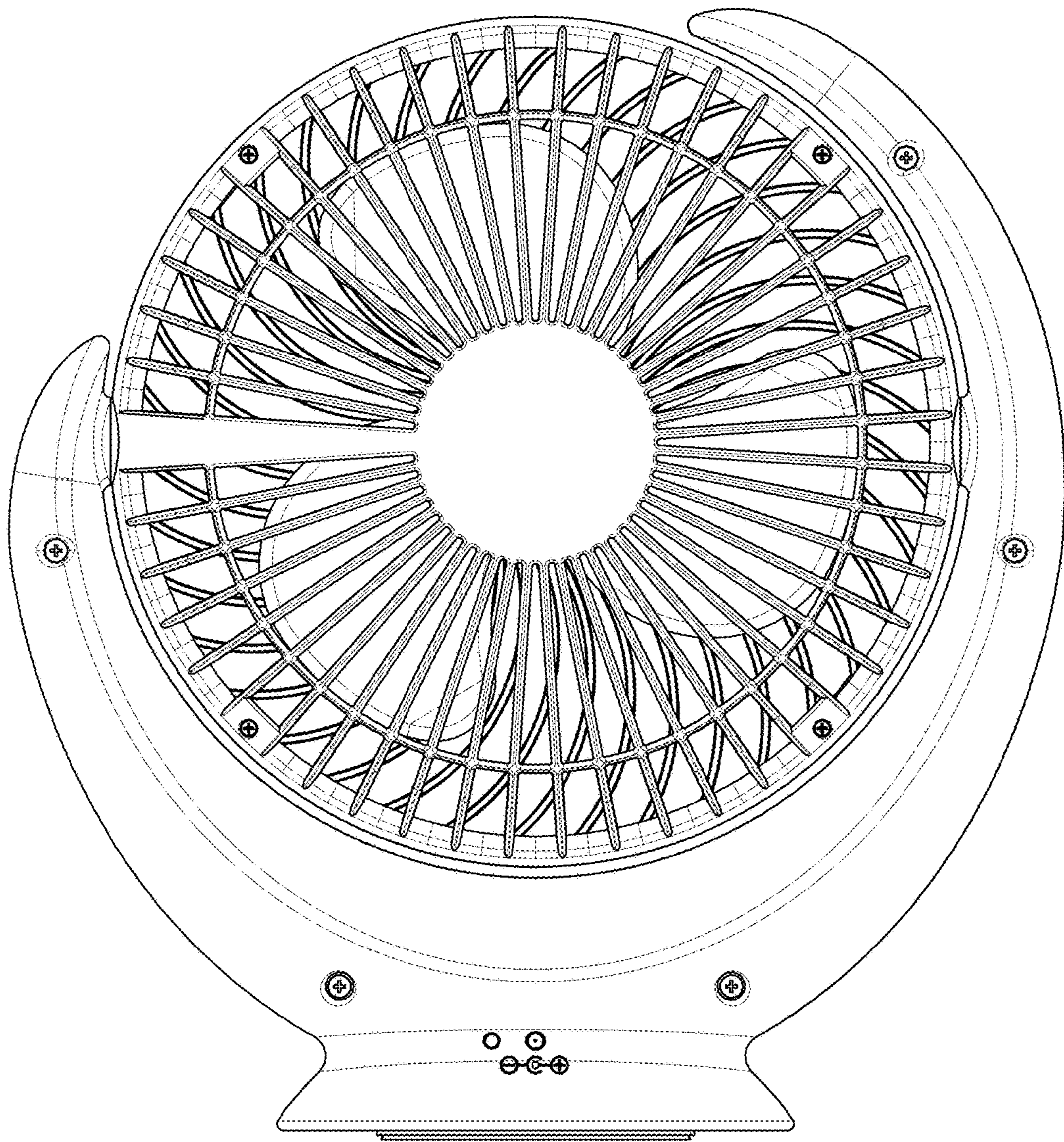


FIG.4

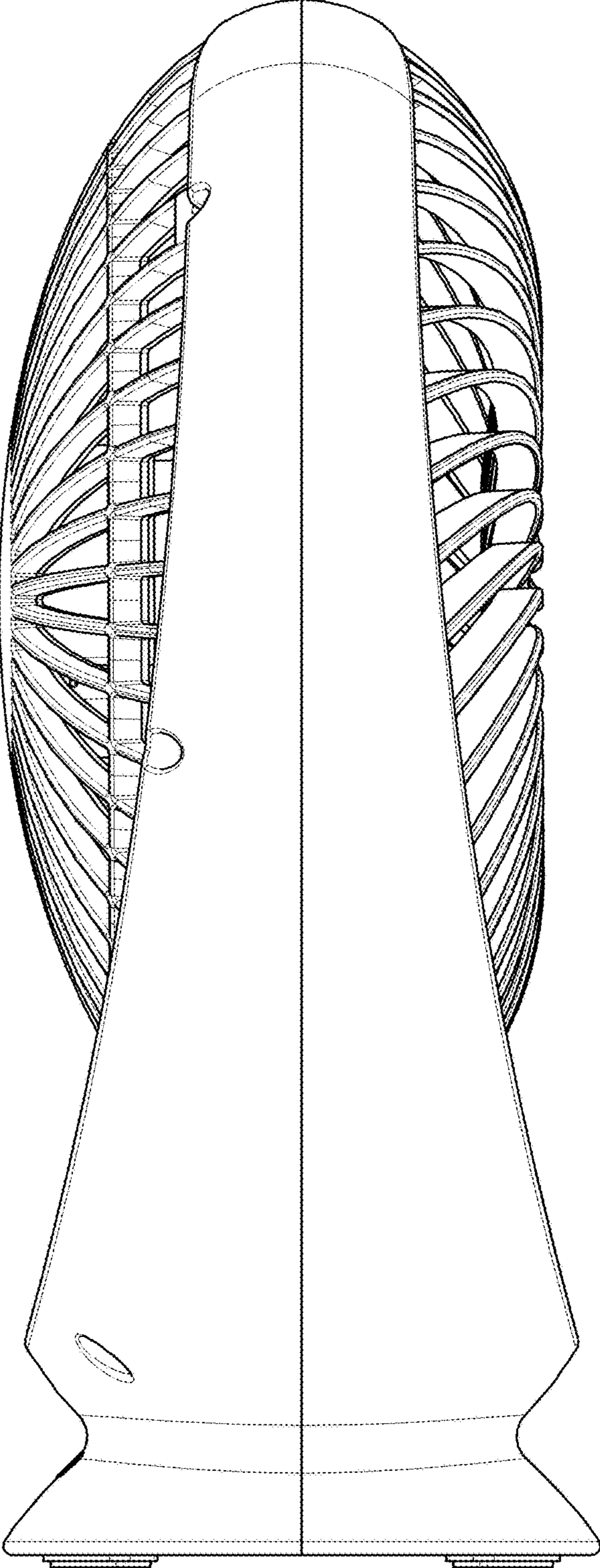


FIG. 5

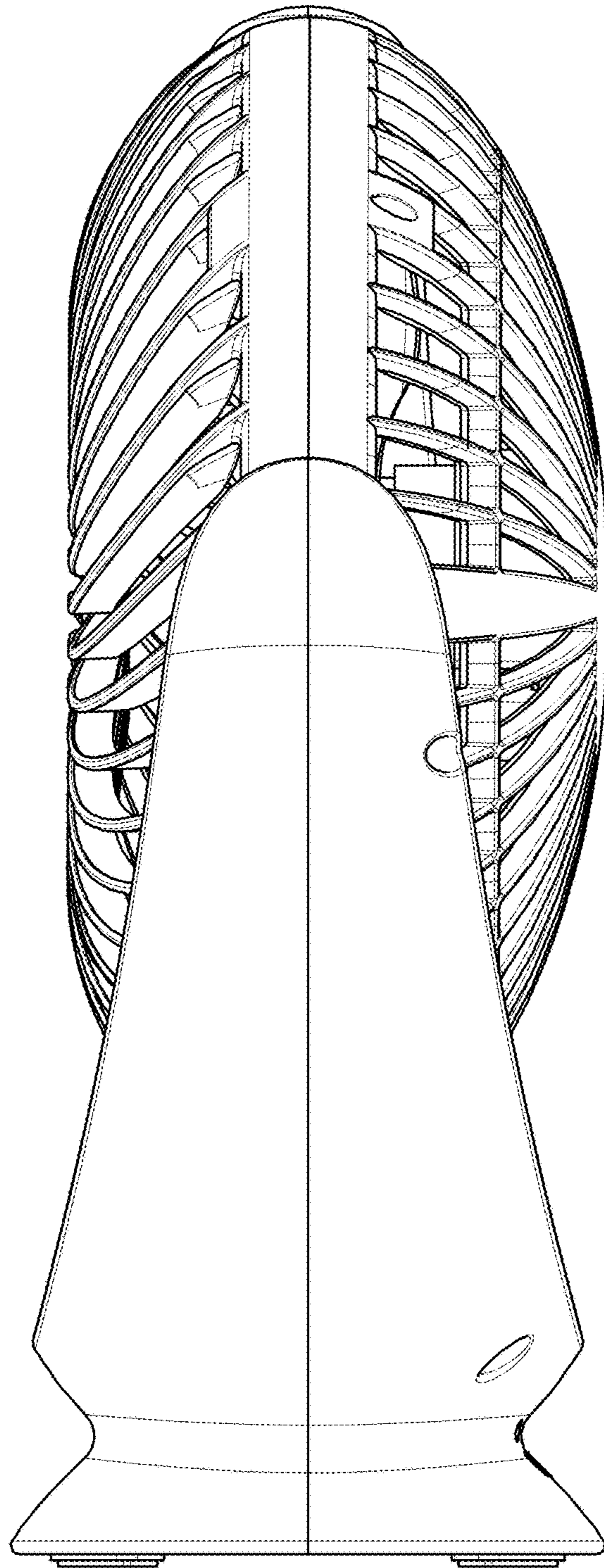


FIG. 6

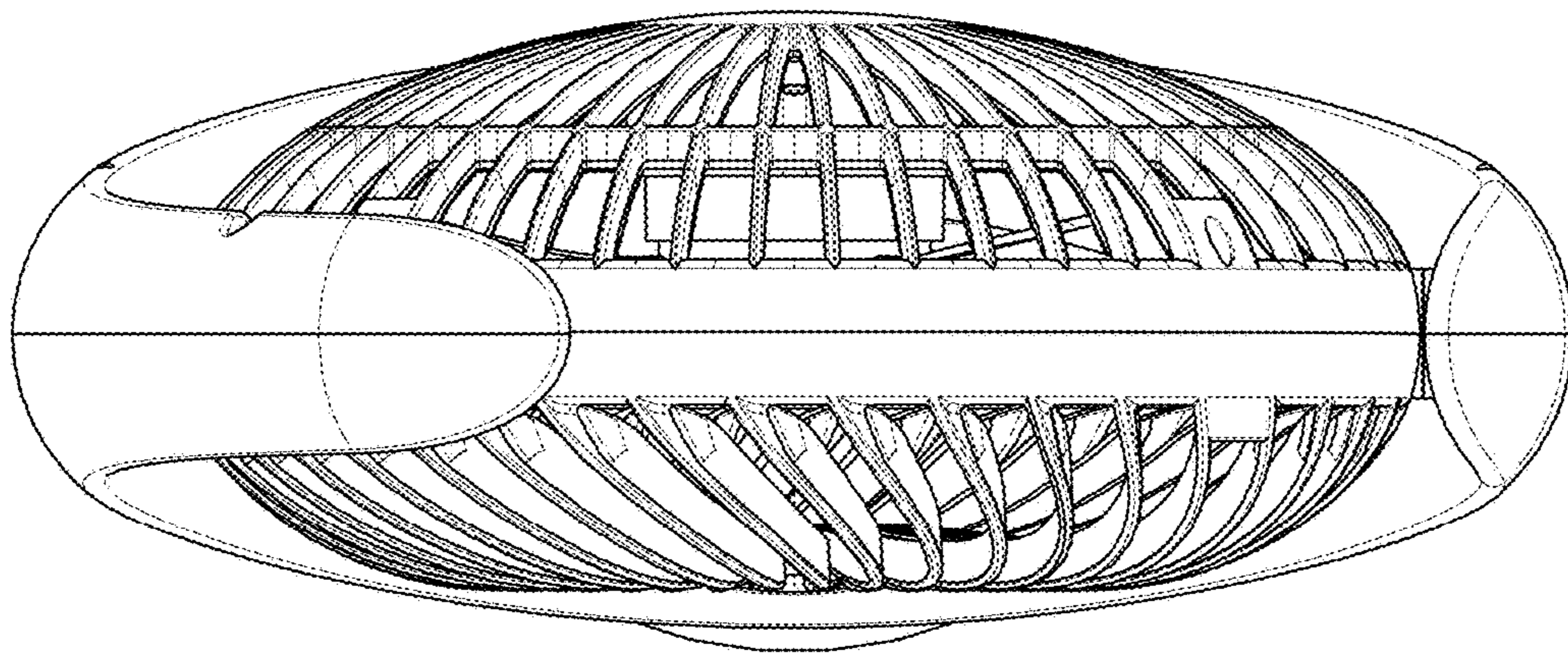


FIG.7

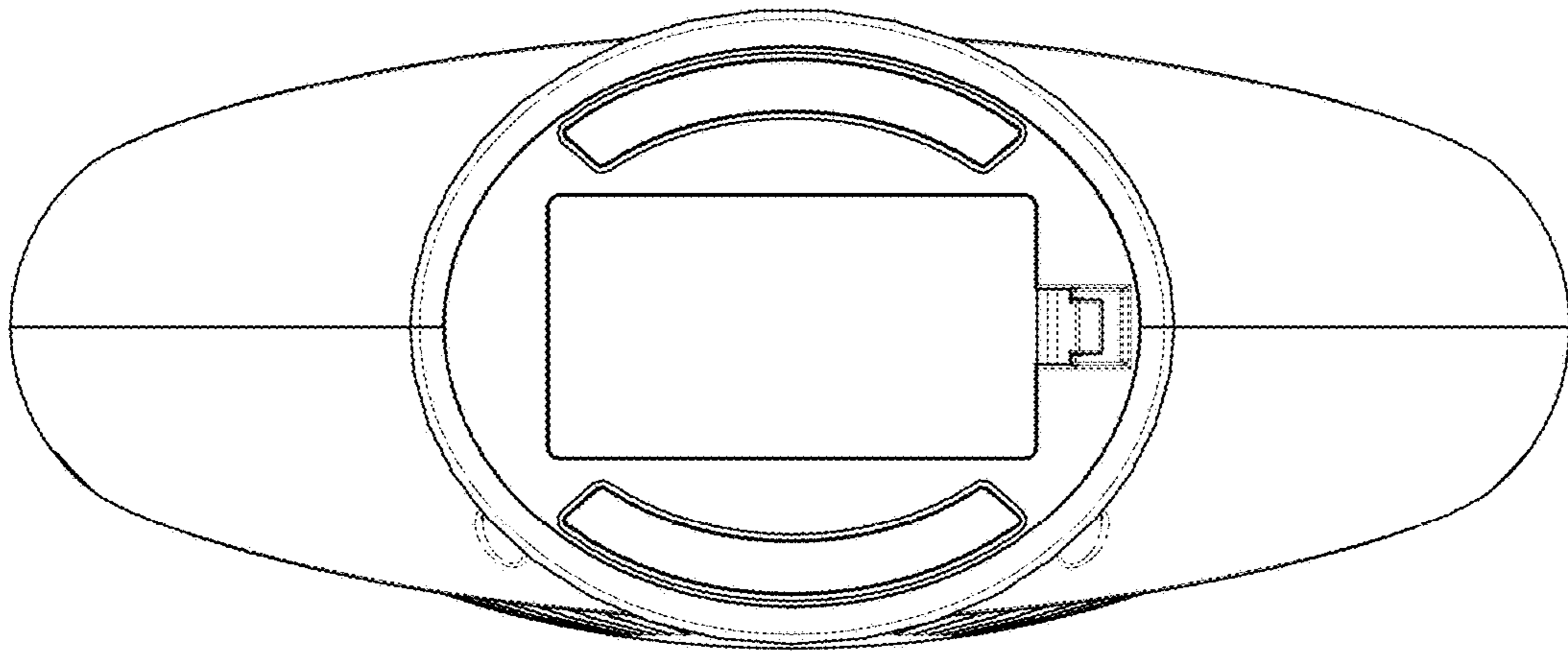


FIG. 8