



US00D817472S

(12) **United States Design Patent** (10) **Patent No.:** **US D817,472 S**
Schulzman (45) **Date of Patent:** **** May 8, 2018**

(54) **CEILING FAN**

FOREIGN PATENT DOCUMENTS

(71) Applicant: **Minka Lighting, Inc.**, Corona, CA (US)

CN 302866455 S 7/2014

(72) Inventor: **Kurt Schulzman**, Long Beach, CA (US)

OTHER PUBLICATIONS

(73) Assignee: **Minka Lighting, Inc.**, Corona, CA (US)

99In Ninety Nine Led Ceiling Fan, first available Aug. 15, 2016, amazon.com, site visited Mar. 16, 2017, Copyright © 1996-2017, Available from Internet, <https://www.amazon.com/99In-Ninety-Nine-Led-Ceiling/dp/B01KG9U6IA/ref=sr_1_7?s=hi&ie=UTF8&qid=1489667755&sr=1-7&keywords=minka+ninety+nine>.*

(**) Term: **15 Years**

(Continued)

(21) Appl. No.: **29/572,696**

Primary Examiner — Cathron C Brooks

Assistant Examiner — Sharon S Oum

(22) Filed: **Jul. 29, 2016**

(74) *Attorney, Agent, or Firm* — Baker & McKenzie LLP

(57) **CLAIM**

The ornamental design for a ceiling fan, as shown and described.

Related U.S. Application Data

DESCRIPTION

(63) Continuation-in-part of application No. 29/552,539, filed on Jan. 22, 2016.

(51) **LOC (11) Cl.** **23-04**

(52) **U.S. Cl.**
USPC **D23/377**

(58) **Field of Classification Search**
USPC D23/370–385, 411–414; D26/59
CPC F04D 25/088; F21V 33/0096
See application file for complete search history.

FIG. 1 is a perspective view of a ceiling fan in accordance with my design;
FIG. 2 is a top plan view of the ceiling fan in accordance with my design;
FIG. 3 is a bottom plan view of the ceiling fan in accordance with my design;
FIG. 4 is a front elevation view of the ceiling fan in accordance with my design;
FIG. 5 is a bottom elevation view of the ceiling fan in accordance with my design;
FIG. 6 is a left side elevation view of the ceiling fan in accordance with my design; and,
FIG. 7 is a right side elevation view of the ceiling fan in accordance with my design.

The broken-line disclosure of elements is understood to represent portions of the article in which the design is embodied, but which form no part of the claimed design. The long, closely spaced lines in the drawings are contour lines and are not surface ornamentation.

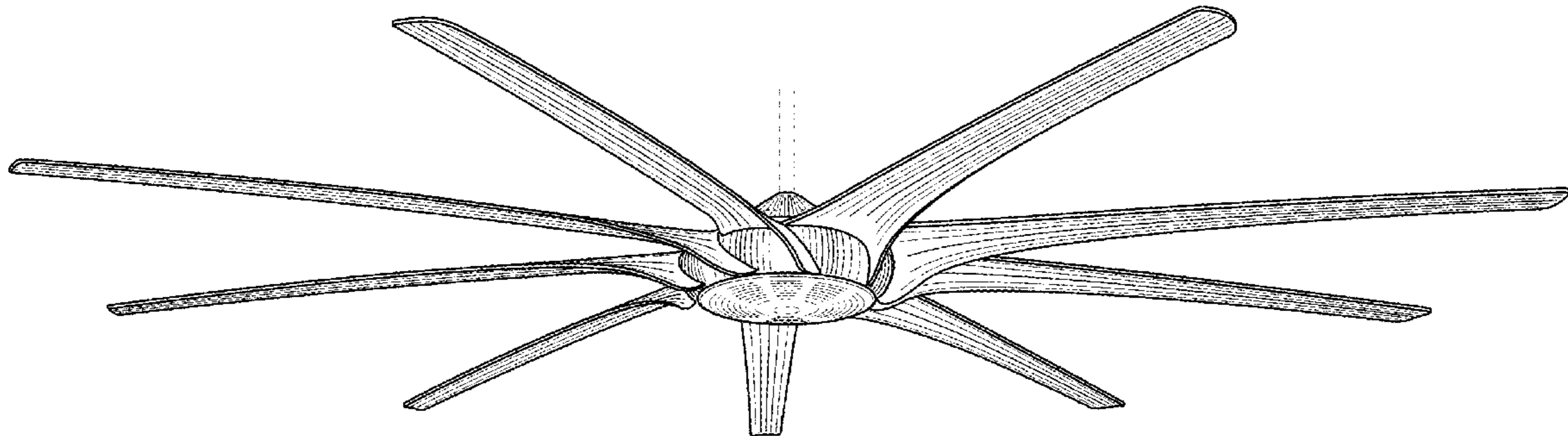
(56) **References Cited**

U.S. PATENT DOCUMENTS

- 4,671,739 A * 6/1987 Read F04D 29/325
416/134 R
- D635,237 S * 3/2011 Fizer D23/377
- D715,917 S * 10/2014 Hidalgo D23/377
- D716,438 S * 10/2014 Liu D23/377
- D717,935 S * 11/2014 Strecker D23/377
- D721,430 S * 1/2015 Schulzman D23/377
- D721,800 S * 1/2015 Busta D23/413
- D726,298 S * 4/2015 Busta D23/411
- D755,948 S * 5/2016 Ertze D23/413

(Continued)

1 Claim, 5 Drawing Sheets



(56)

References Cited

U.S. PATENT DOCUMENTS

D773,030 S * 11/2016 Puerto D23/377
 2012/0087796 A1 * 4/2012 McMahon F04D 29/34
 416/210 R
 2012/0177496 A1 * 7/2012 Gajewski F04D 25/088
 416/204 R

OTHER PUBLICATIONS

“Minka Aire Slipstream XXL Ceiling Fan Model F889-SI,” [online]. [Retrieved Dec. 6, 2016]. <http://web.archive.org/web/20140728113323/http://www.ylighting.com/minka-aire-slipstream-xxl-ceiling-fan.html>. Published Jul. 28, 2014.

“Emerson Aira ECO (DC Motor) Ceiling Fan Model CF985ORB,” [online]. [Retrieved Dec. 6, 2016]. web.archive.org/web/20150616193745/http://ceilingfans.emerson.com/shop/en/fan/aira-eco-fan-p-cf985. Published Jun. 16, 2015.

“Montecarlo Empire Ceiling Fan Model BEER60BSD,” [online]. [Retrieved Dec. 6, 2016]. web.archive.org/web/20150309001012/http://www.ylighting.com/monte-carlo-fan-company-empire-ceiling-fan.html. Published Mar. 9, 2015.

“Fanimation Odyn Wet Ceiling Fan Model FPD8149BNWBL,” [online]. [Retrieved Dec. 6, 2016]. web.archive.org/web/20140728152207/http://www.ylighting.com/fanimation-odyn-ceiling-fan.html. Published Jul. 28, 2014.

“Minka Aire F887 Xtreme 72" 9 Blade Indoor Ceiling Fan,” [online]. [Retrieved Dec. 6, 2016]. web.archive.org/web/20140704230534/http://www.montecarlofans.com/37636/56-Turbine-Black-8TNR56BKD.html. Published Sep. 19, 2015.

“Montecarlo Turbine Ceiling Fan Model 8TNR56BKD,” [online]. [Retrieved Dec. 6, 2016]. web.archive.org/web/*/http://www.montecarlofans.com/37636/56-Turbine---Black-8TNR56BKD.html. Published Jul. 4, 2014.

“Minka Air Concept,” [online]. [Retrieved Dec. 6, 2016]. web.archive.org/web/20150716032847/http://www.hansenwholesale.com/ceilingfans/minkaaire/model.asp?ProdNo=MF-F477-BNW. Published Jul. 16, 2015.

“Matthews Fan Company—Donaire—LED Outdoor Ceiling Fan,” [online]. [Retrieved Dec. 6, 2016]. <http://web.archive.org/web/20160731062655/http://www.lightkulture.com/donaire-led-outdoor-ceiling-fan-atlas-fans/>. Published Nov. 9, 2015.

“Quorum Vector Ceiling Fan Model 81725-86,” [online]. [Retrieved Dec. 6, 2016]. <http://web.archive.org/web/20150405105248/http://www.hansenwholesale.com/ceilingfans/quorum/model.asp?ProdNo=81725-86>. Published Apr. 5, 2015.

“Minka Aire Como Ceiling Fan Model F603-BN,” [online]. [Retrieved Dec. 6, 2016]. <http://web.archive.org/web/20151025001103/http://www.hansenwholesale.com/ceilingfans/hunter/model.asp?ProdNo=59052>. Published Oct. 5, 2010.

“Hunter Palermo 2015 Ceiling Fan Model 59052,” [online]. [Retrieved Dec. 6, 2016]. web.archive.org/web/*/http://www.hansenwholesale.com/ceilingfans/hunter/model.asp?ProdNo=59052. Published Oct. 25, 2015.

“Kichler 54 Bellamy Ceiling Fan Model 300019AP,” [online]. [Retrieved Jan. 25, 2017]. web.archive.org/web/20130907083449/http://www.kichler.com/products/product/54-inch-bellamy-fan-ap-300019ap.aspx. Published Sep. 7, 2011.

“Montecarlo Sleek Ceiling Fan Model 5SLR52RBD-B,” [online]. [Retrieved Jan. 25, 2017]. web.archive.org/web/20140705180814/http://www.montecarlofans.com/21190/52'-Sleek-Fan-Roman-Bronze-5SLR52RBD.html. Published Jul. 5, 2014.

“Quorum Modesto Ceiling Fan Model 84708-65,” [online]. [Retrieved Jan. 25, 2017]. web.archive.org/web/20150613041900/http://www.delmarfans.com/quorum-ceiling-fans/modesto/84708-65/. Published Jun. 13, 2015.

“Minka Aire Aluma Ceiling Fan Model F521-ORB,” [online]. [Retrieved Jan. 25, 2017]. web.archive.org/web/20140506074550/http://www.delmarfans.com/minka-aire-ceiling-fans/aluma/f521-orb/. Published May 6, 2014.

“Quorum Colton Ceiling Fan Model 36525-986,” [online]. [Retrieved Jan. 25, 2017]. web.archive.org/web/20100819044257/http://www.delmarfans.com/quorum-ceiling-fans/colton/36525-986/. Published Aug. 10, 2010.

“Craftmade Triumph Ceiling Fan Model TR52BN5,” [online]. [Retrieved Jan. 25, 2017]. web.archive.org/web/20150905220947/http://www.delmarfans.com/craftmade-ceiling-fans/triumph/tr52bn5/. Published Sep. 5, 2015.

“Montecarlo Discus Ceiling Fan Model 5DI52BKD-L,” [online]. [Retrieved Jan. 25, 2017]. web.archive.org/web/20140724002605/http://www.montecarlofans.com/20940/52'-Discus-Fan---Brushed-Steel-5DI52BKD.html. Published Jul. 24, 2014.

“Kichler 60 Trevor in Brushed Stainless Steel,” [online]. [Retrieved Jan. 25, 2017]. web.archive.org/web/20140506024407/http://www.delmarfans.com/kichler-ceiling-fans/trevor/300156obb/. Published May 6, 2013.

Office Action issued by State Intellectual Property Office in co-pending Chinese design application No. 201630339446.7, dated Oct. 25, 2016.

* cited by examiner

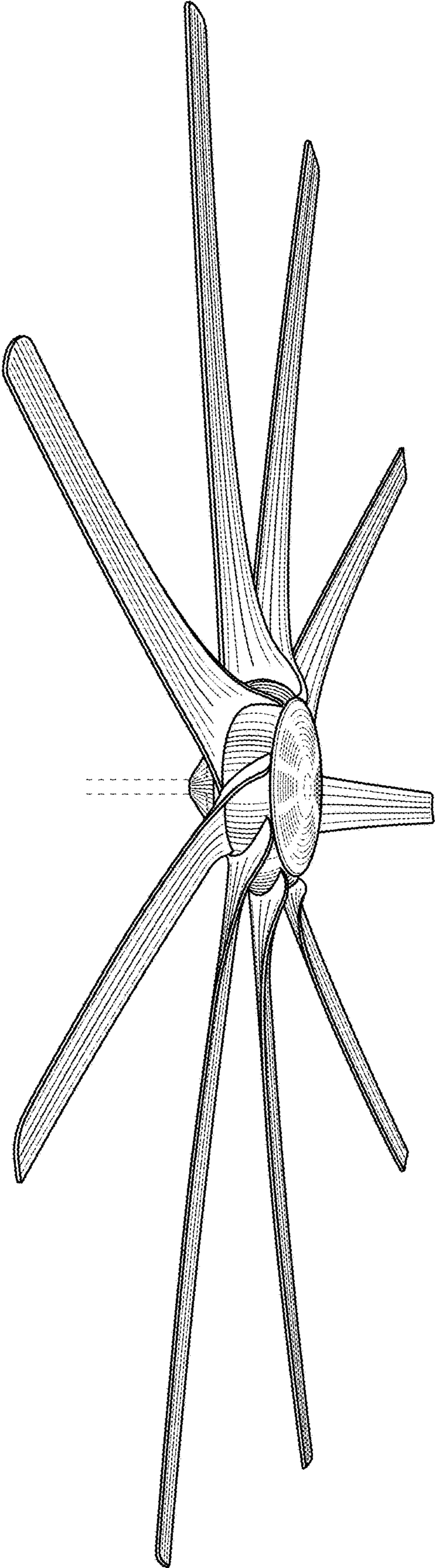


Fig.1

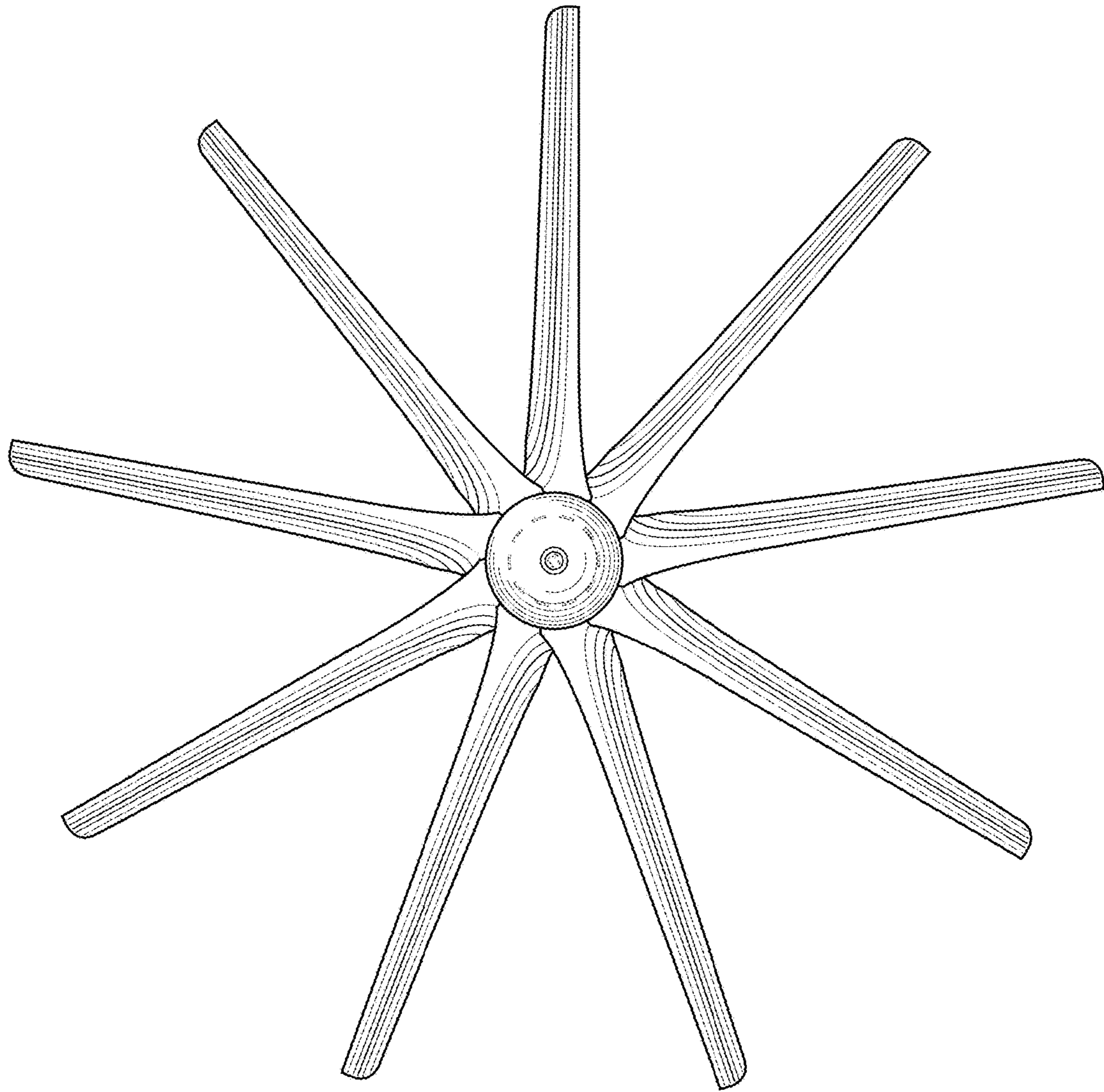


Fig.2

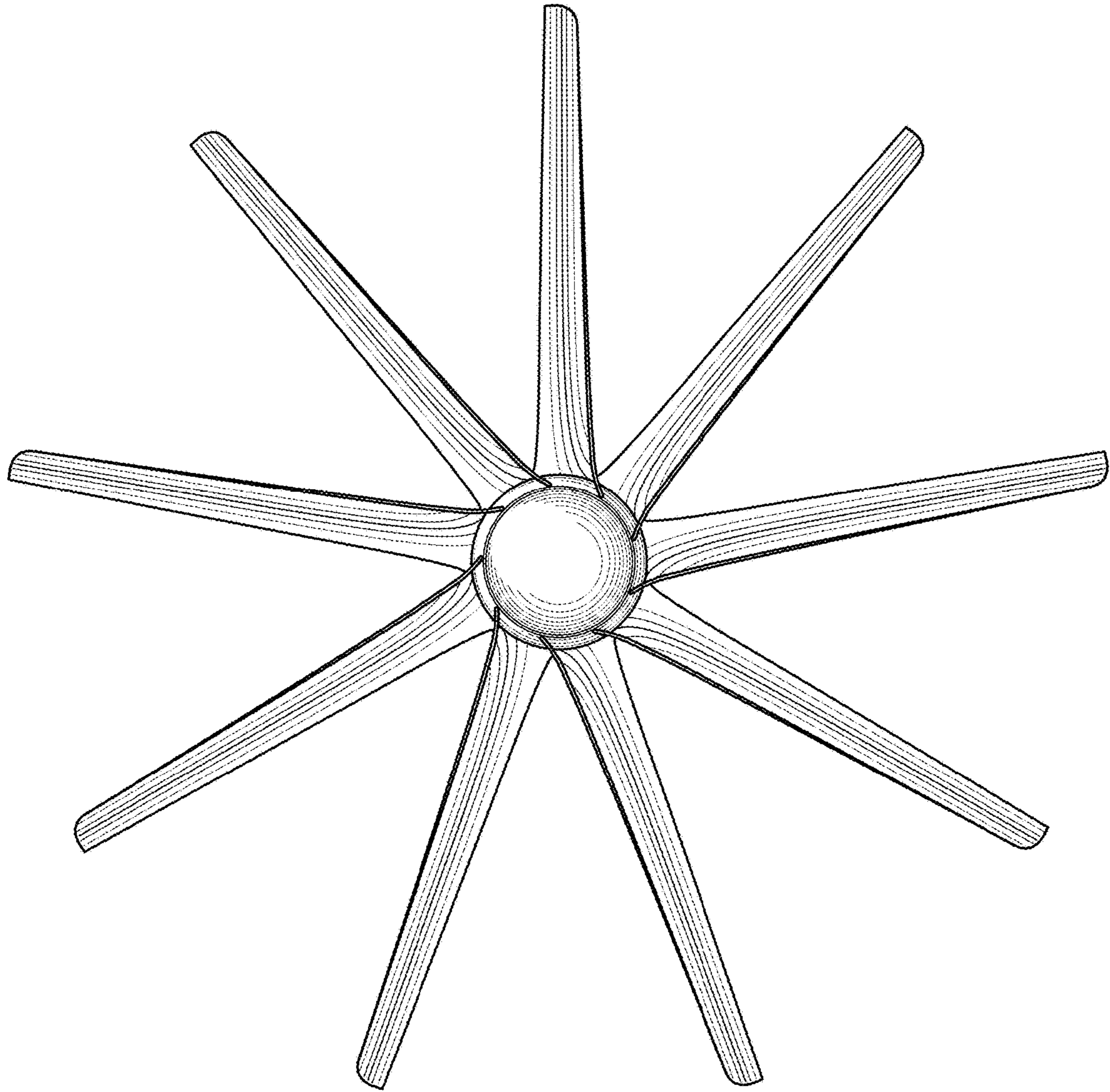


Fig.3

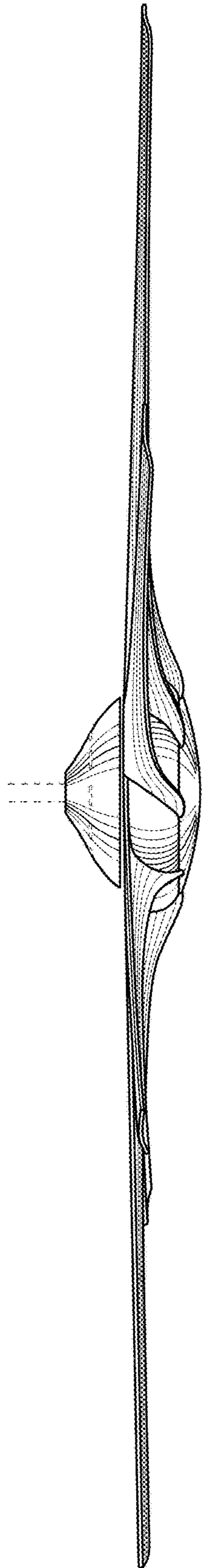


Fig. 4

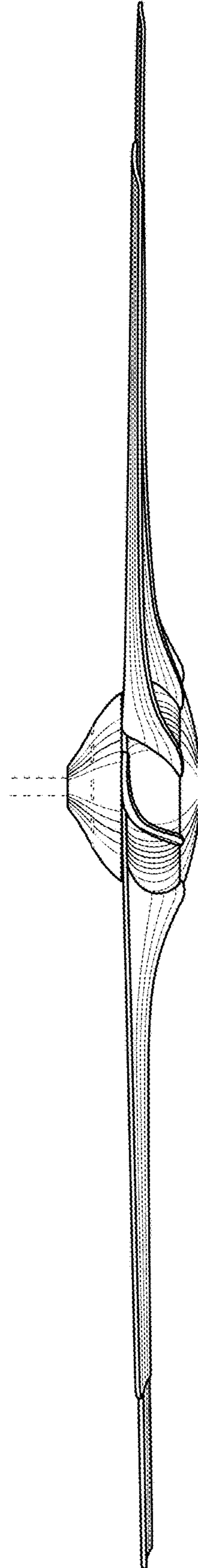


Fig. 5

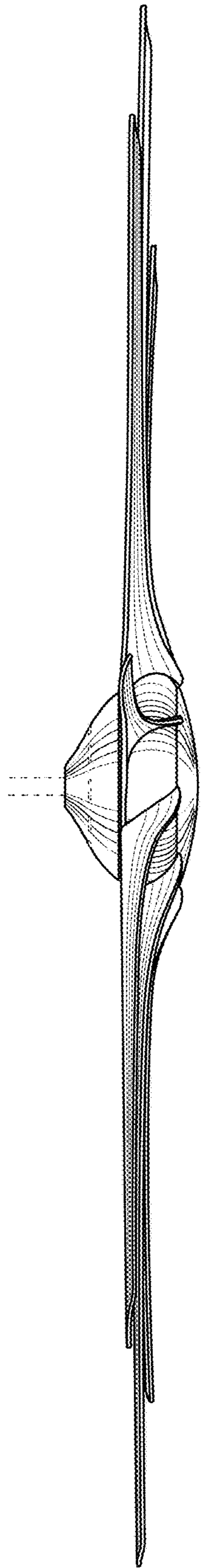


Fig. 6

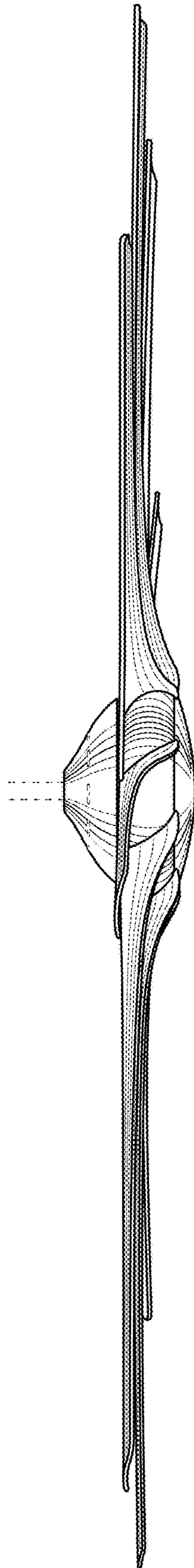


Fig. 7