



US00D817471S

(12) **United States Design Patent**
Crisa'

(10) **Patent No.:** **US D817,471 S**

(45) **Date of Patent:** **** May 8, 2018**

(54) **COOKER HOOD**

(71) Applicant: **Elica S.p.A.**, Fabriano (IT)

(72) Inventor: **Fabrizio Crisa'**, Fabriano (IT)

(73) Assignee: **ELICA S.P.A.**, Fabriano AN (IT)

(**) Term: **15 Years**

(21) Appl. No.: **29/571,350**

(22) Filed: **Jul. 18, 2016**

(30) **Foreign Application Priority Data**

Jan. 18, 2016 (EM) 002948638-0002

(51) **LOC (11) Cl.** **23-04**

(52) **U.S. Cl.**
USPC **D23/372; D7/346**

(58) **Field of Classification Search**
USPC D23/370-379, 381-385, 411-414, 360,
D23/314, 335, 332; D26/59, 106, 61-62,
D26/104, 63-65; D32/15; D7/346
CPC F04D 5/00; F04D 27/00; F24H 3/04
See application file for complete search history.

(56) **References Cited**

U.S. PATENT DOCUMENTS

D580,041 S * 11/2008 Kudo D23/372
D622,373 S * 8/2010 Grey D23/372

D671,789 S * 12/2012 Goss D7/346
D690,151 S * 9/2013 Sadtler D7/346
D694,392 S * 11/2013 Sinur D23/372
D702,479 S * 4/2014 Sadtler D7/346
D749,204 S * 2/2016 Breneman D23/372
D773,629 S * 12/2016 Crisa' D23/372

* cited by examiner

Primary Examiner — Janice Hallmark

(74) *Attorney, Agent, or Firm* — Nixon & Vanderhye, PC

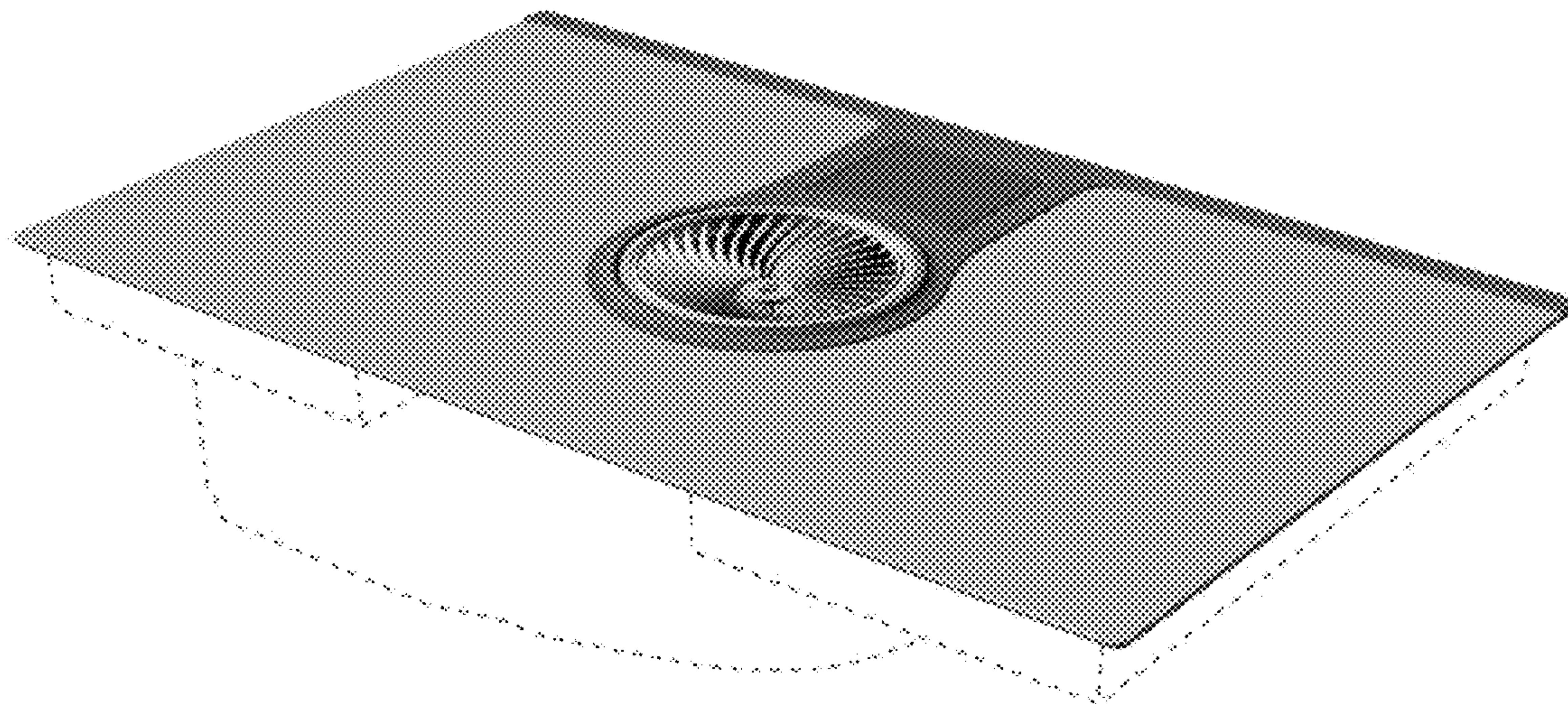
(57) **CLAIM**

The ornamental design for a cooker hood, as shown and described.

DESCRIPTION

FIG. 1 is a top plan view of the cooker hood showing my new design;
FIG. 2 is a perspective view of the top, front and one side thereof;
FIG. 3 is an elevational view of the front thereof;
FIG. 4 is a plan view of the bottom thereof;
FIG. 5 is an elevational view of the rear thereof;
FIG. 6 is an elevational view of one side thereof; and,
FIG. 7 is an elevational view of the other side thereof.
The broken lines in the drawings depict environmental subject matter only and form no part of the claimed design.

1 Claim, 7 Drawing Sheets



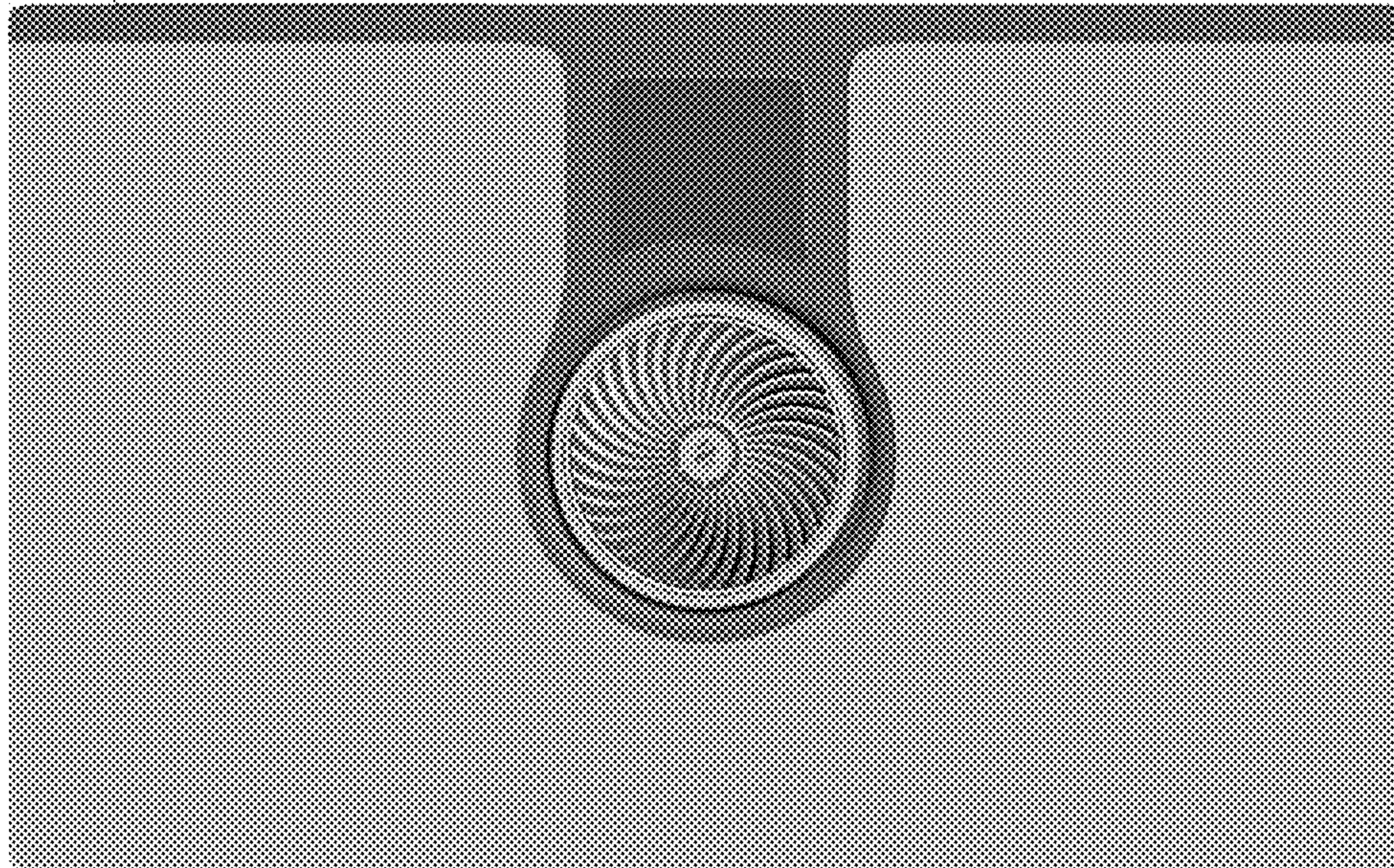


FIG. 1

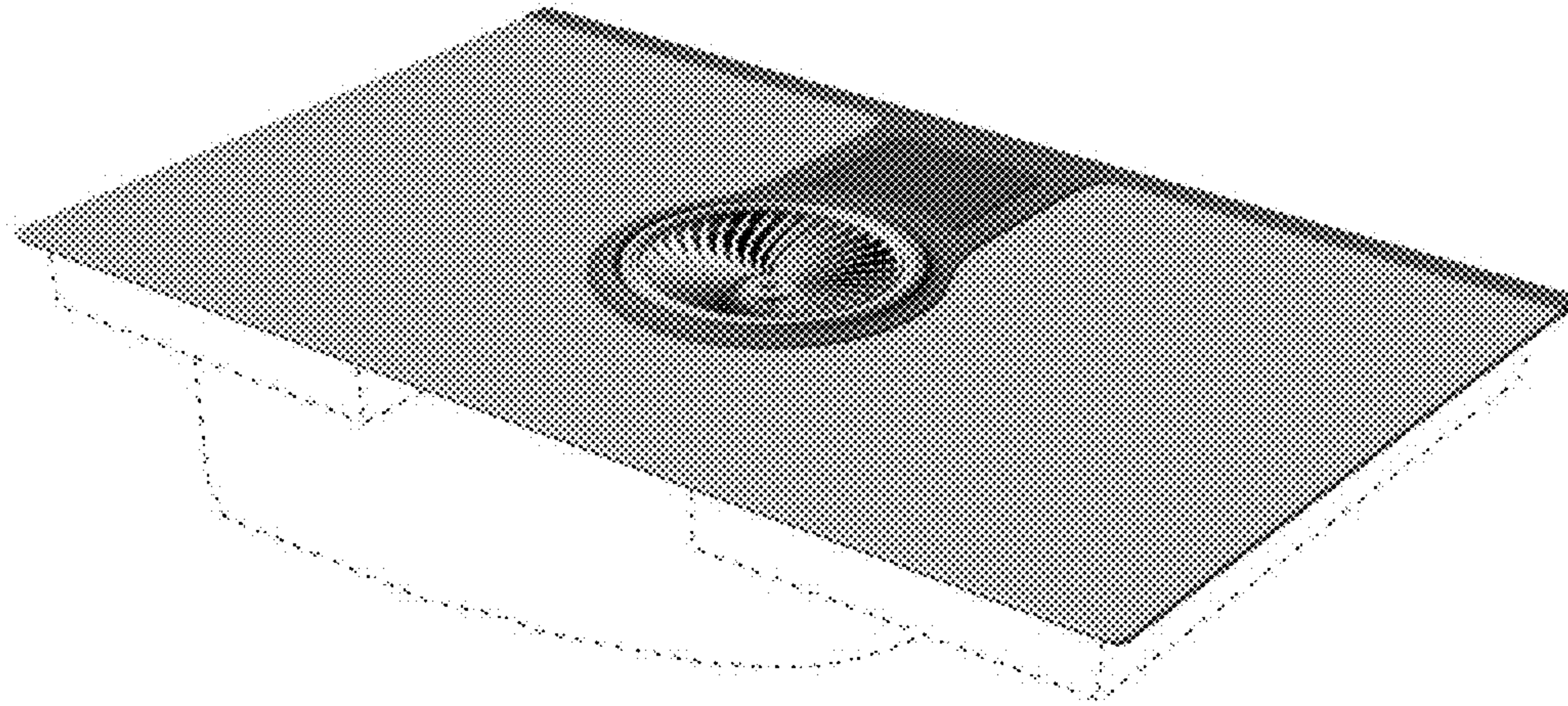


FIG. 2

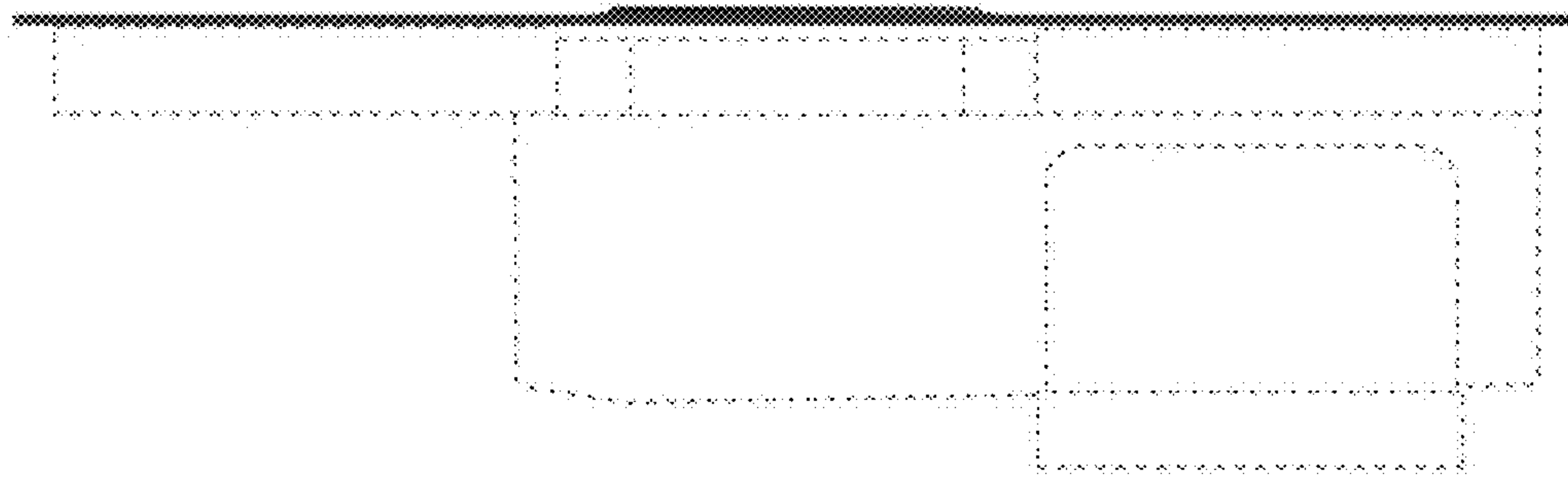


FIG. 3

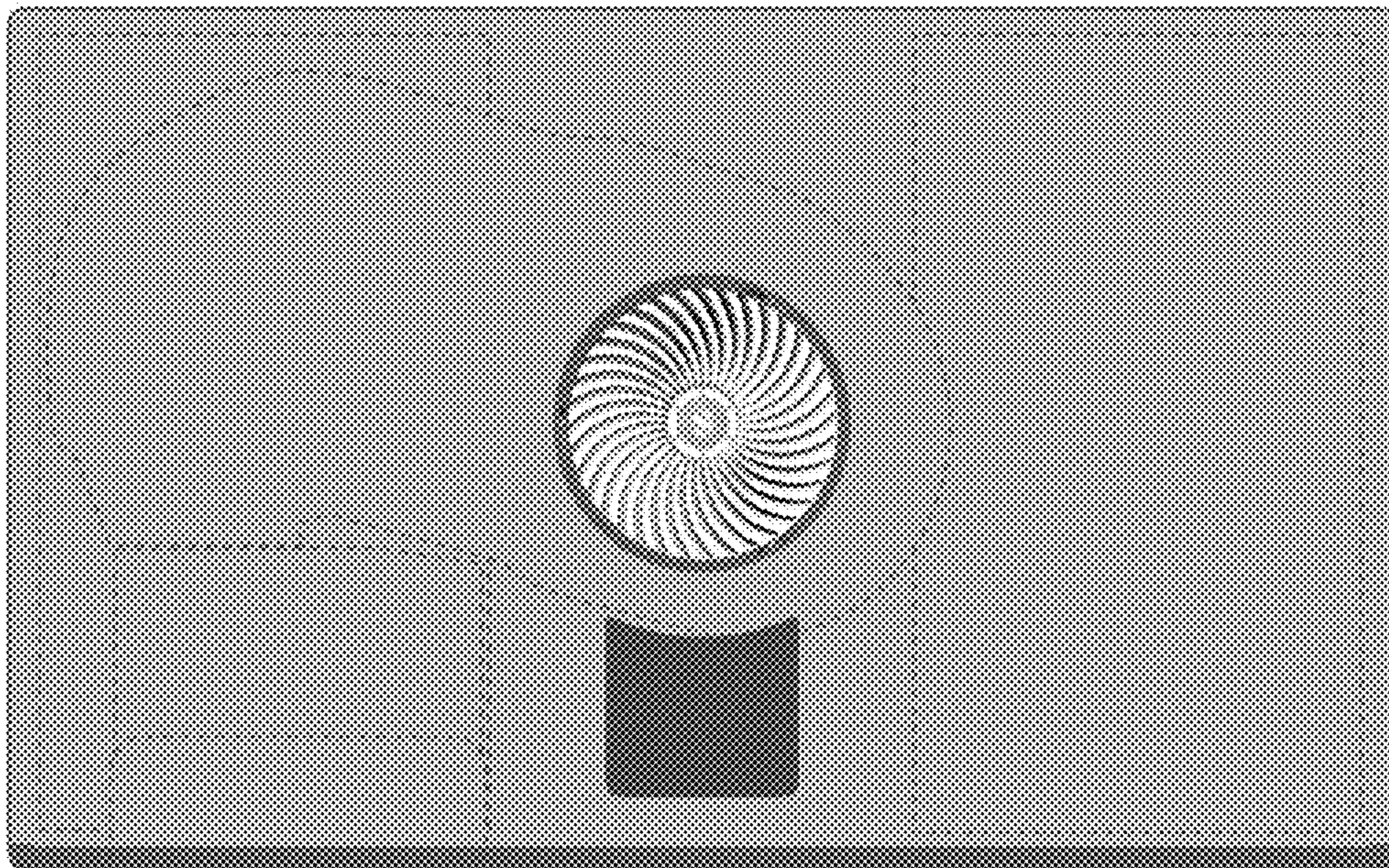


FIG. 4

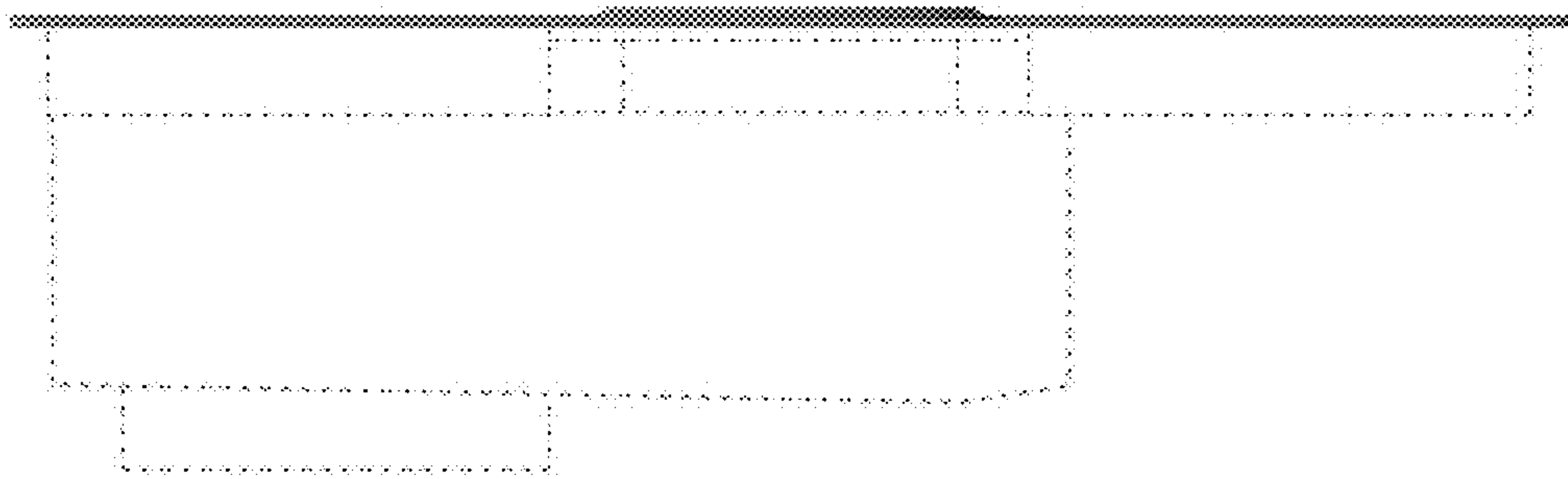


FIG. 5

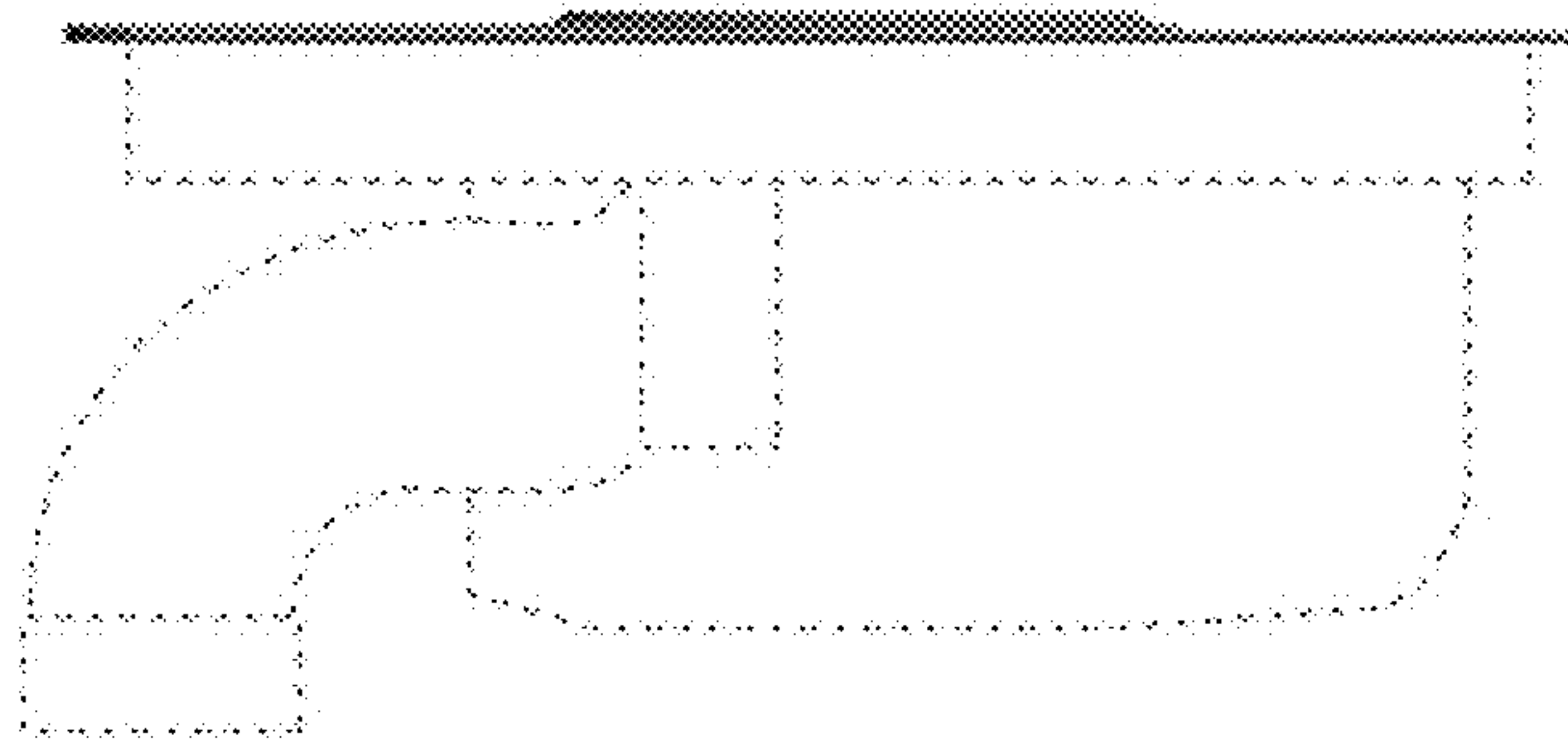


FIG. 6

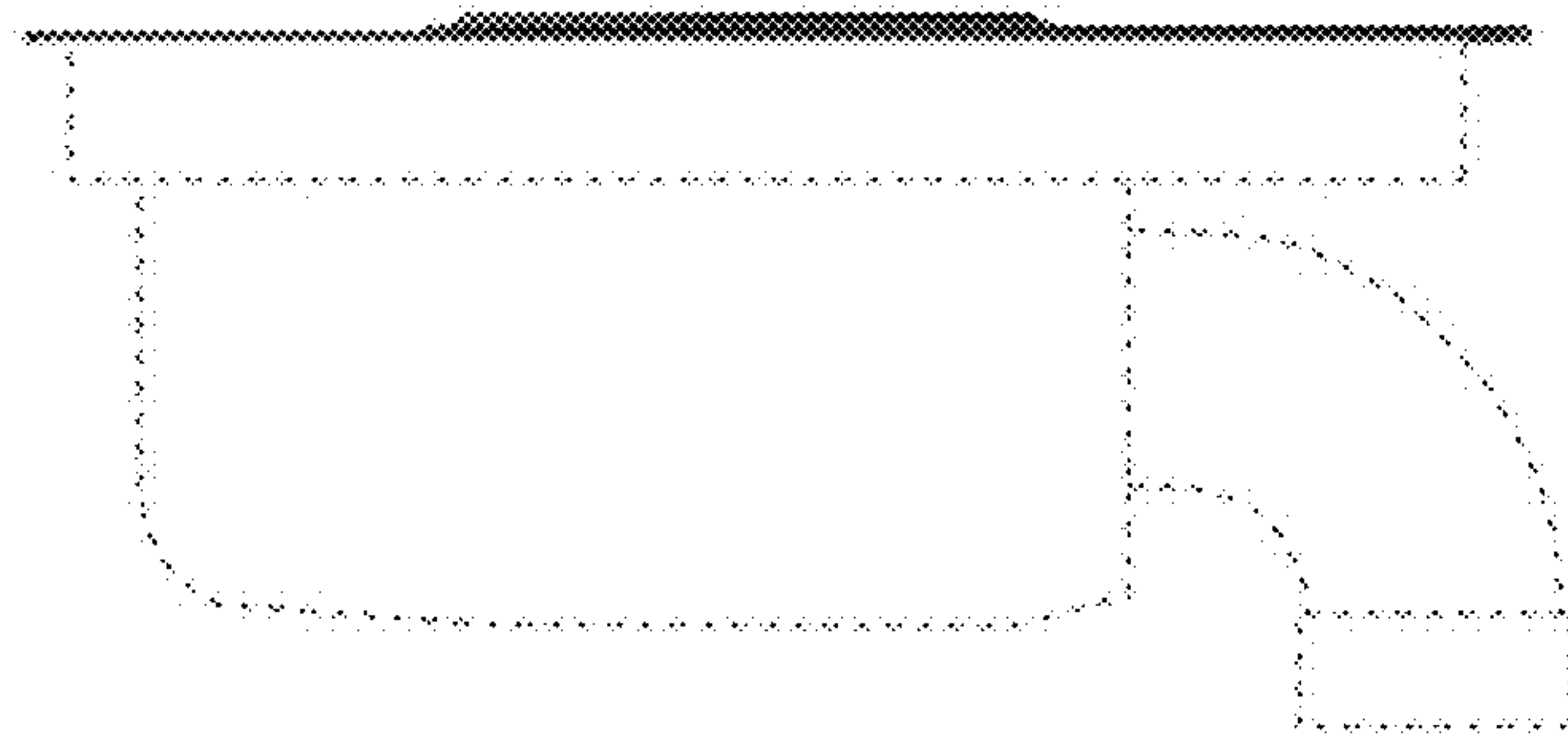


FIG. 7