



US00D817470S

(12) **United States Design Patent** (10) **Patent No.:** **US D817,470 S**
Wang (45) **Date of Patent:** **** May 8, 2018**

(54) **CEILING FAN**
(71) Applicant: **AIR COOL INDUSTRIAL CO., LTD.**, Taichung (TW)
(72) Inventor: **Cliff Wang**, Taichung (TW)
(73) Assignee: **AIR COOL INDUSTRIAL CO., LTD.**, Taichung (TW)
(**) Term: **15 Years**
(21) Appl. No.: **29/600,033**
(22) Filed: **Apr. 10, 2017**
(51) **LOC (11) Cl.** **23-04**
(52) **U.S. Cl.**
USPC **D23/370; D23/379; D23/385**
(58) **Field of Classification Search**
USPC **D23/370-397, 411-414, 499**
CPC **F04D 25/088; F04D 29/34; F04D 29/38**
See application file for complete search history.

D760,368 S * 6/2016 Chen D23/377
D783,795 S * 4/2017 Avedon D23/379
9,714,663 B1 * 7/2017 Avedon F04D 25/088
D808,510 S * 1/2018 Gajewski D23/377
2004/0175281 A1 * 9/2004 Remington F04D 25/088
417/360
2009/0238690 A1 * 9/2009 Lai F04D 25/088
416/100
2011/0058945 A1 * 3/2011 Hu F03B 17/061
416/146 R
2012/0195749 A1 * 8/2012 Avedon F04D 25/088
415/211.2
2014/0056739 A1 * 2/2014 Wang F04D 25/0606
417/423.7
2017/0234319 A1 * 8/2017 Seccareccia F04D 25/088
415/203

* cited by examiner

Primary Examiner — Cathron C Brooks
Assistant Examiner — Sharon S Oum
(74) *Attorney, Agent, or Firm* — Pai Patent & Trademark Law Firm; Chao-Chang David Pai

(57) **CLAIM**

The ornamental design for a ceiling fan, as shown and described.

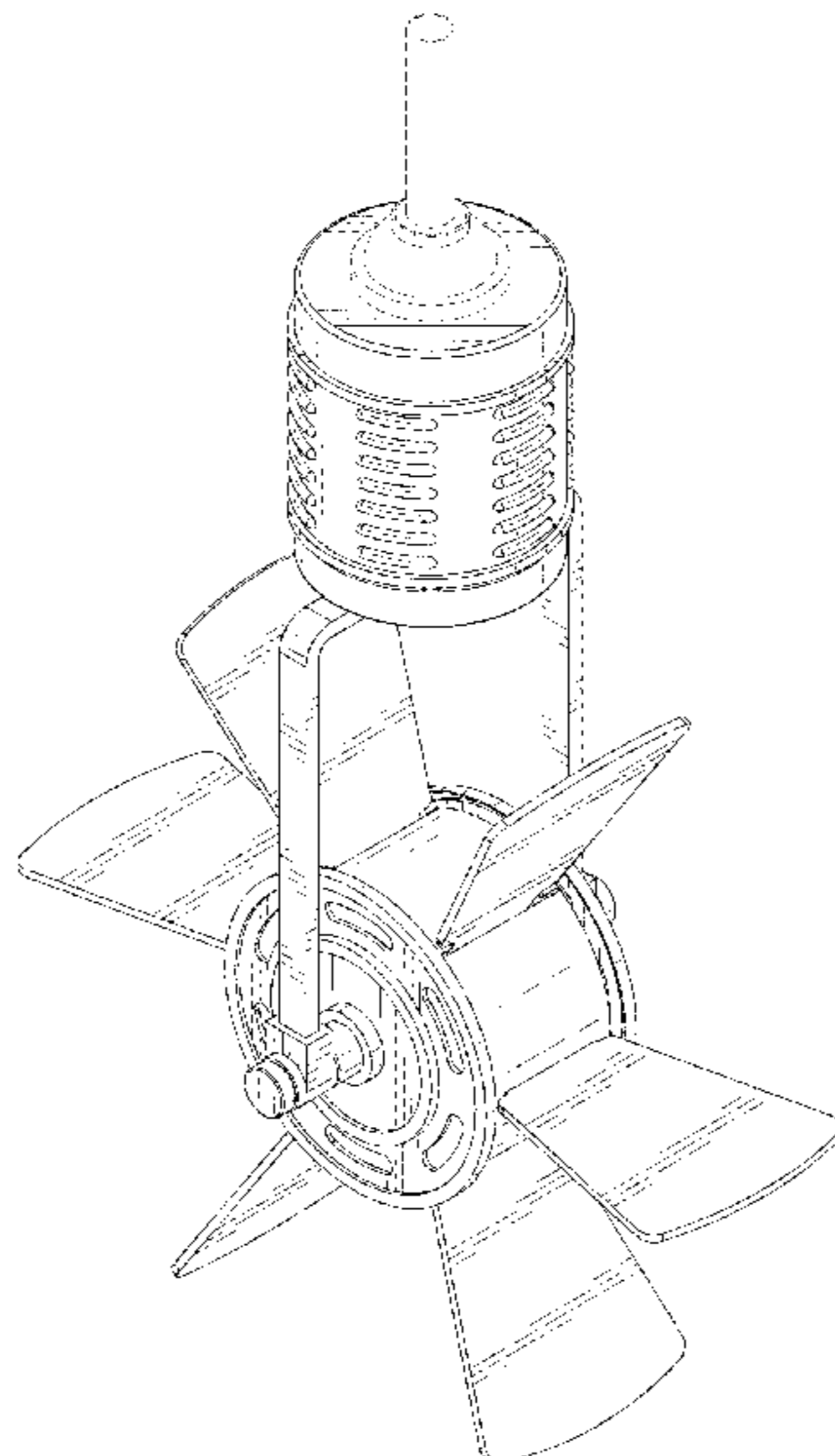
(56) **References Cited**
U.S. PATENT DOCUMENTS

D96,952 S * 9/1935 Adams et al. D23/336
D120,033 S * 4/1940 Kisling 416/181
D156,589 S * 12/1949 Wedderspoon D23/336
5,069,601 A * 12/1991 Shawcross F04D 25/088
416/204 R
D531,721 S * 11/2006 Hidalgo D23/411
D532,097 S * 11/2006 Hidalgo D23/377
D567,350 S * 4/2008 Hidalgo D23/377
D599,462 S * 9/2009 Roo D23/377
7,601,005 B1 * 10/2009 Lai F04D 25/088
439/12
D646,372 S * 10/2011 Love D23/377
8,186,941 B2 * 5/2012 Lai F04D 25/105
415/126
8,354,948 B2 * 1/2013 Priest G08C 17/02
341/176
D700,311 S * 2/2014 Wang D23/385

DESCRIPTION

FIG. 1 is a front top perspective view of a ceiling fan showing my new design;
FIG. 2 is a front elevational view thereof;
FIG. 3 is a rear elevational view thereof;
FIG. 4 is a left side elevational view thereof;
FIG. 5 is a right side elevational view thereof;
FIG. 6 is a top plan view thereof;
FIG. 7 is a bottom plan view thereof; and,
FIG. 8 is a front bottom perspective view thereof.
The broken lines are for the purpose of illustrating environmental structure and form no part of the claimed design.

1 Claim, 7 Drawing Sheets



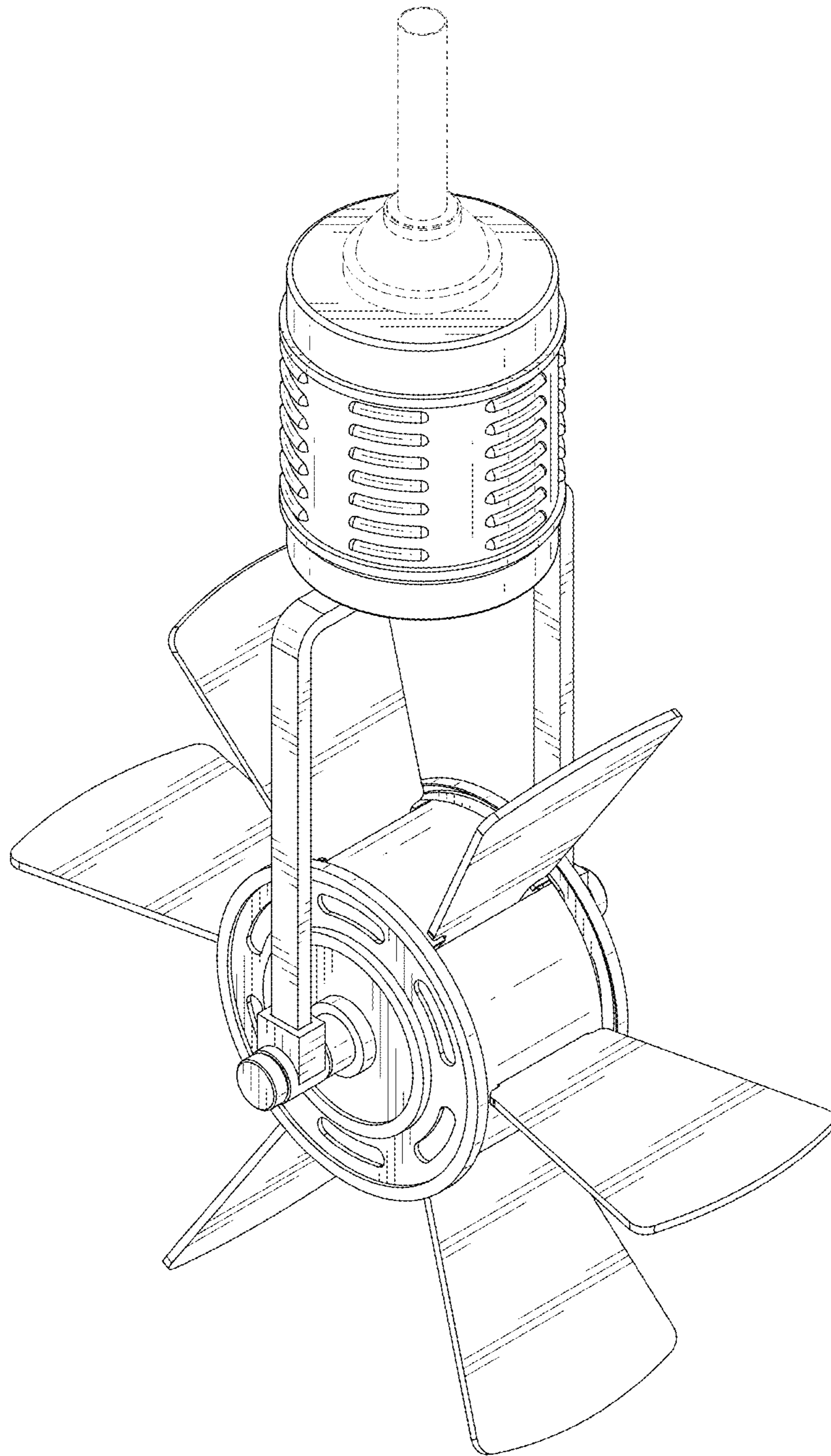


FIG. 1

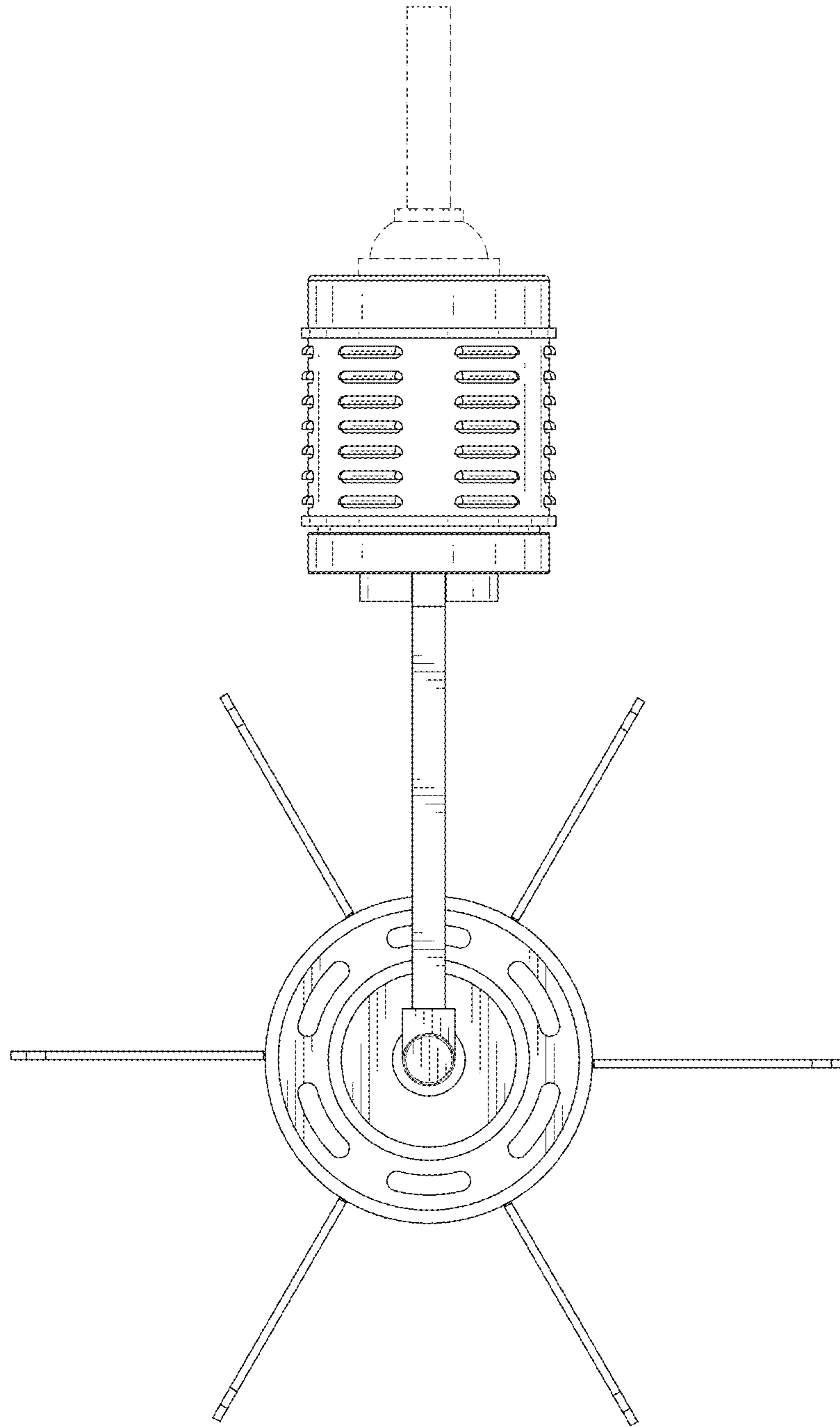


FIG. 2

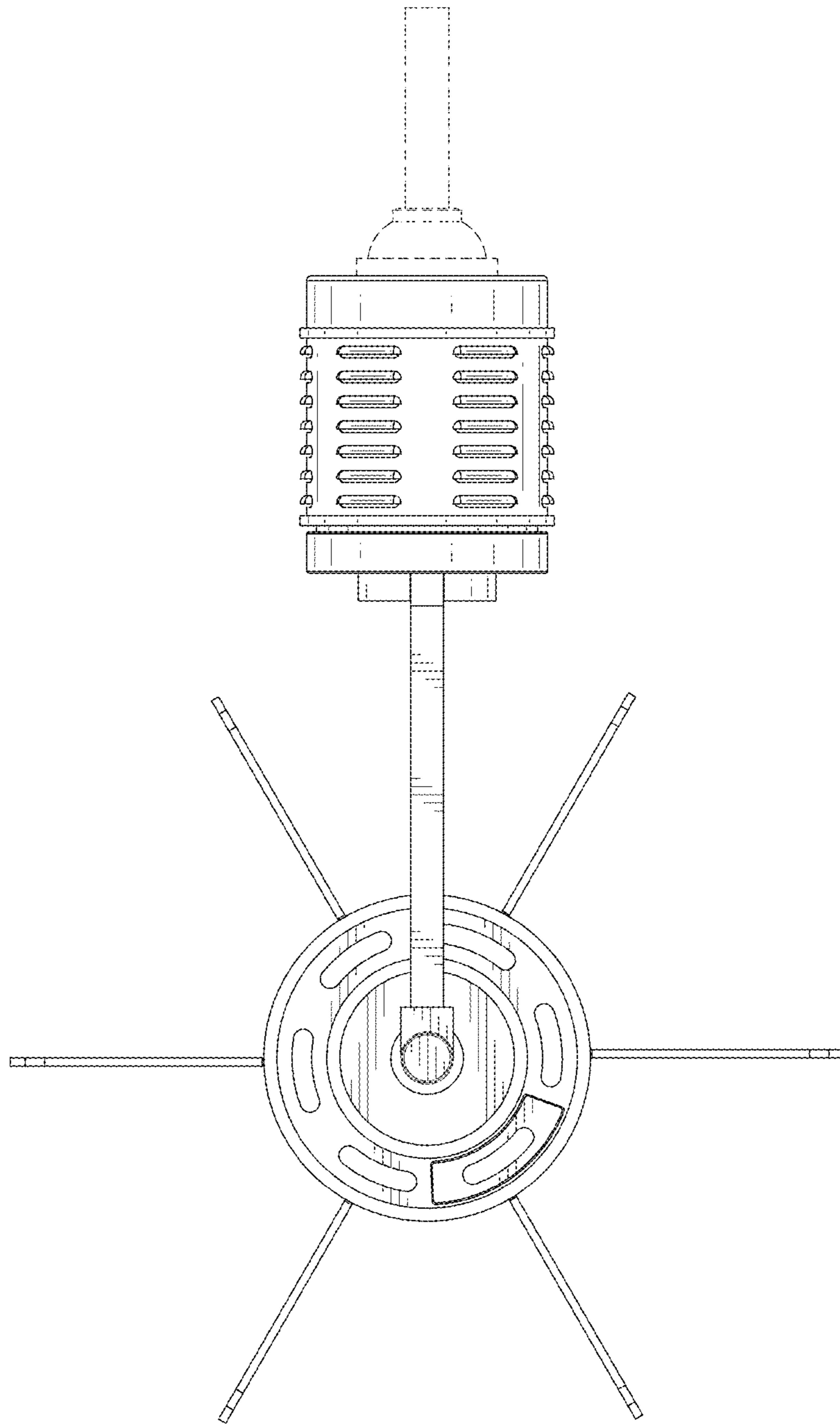


FIG. 3

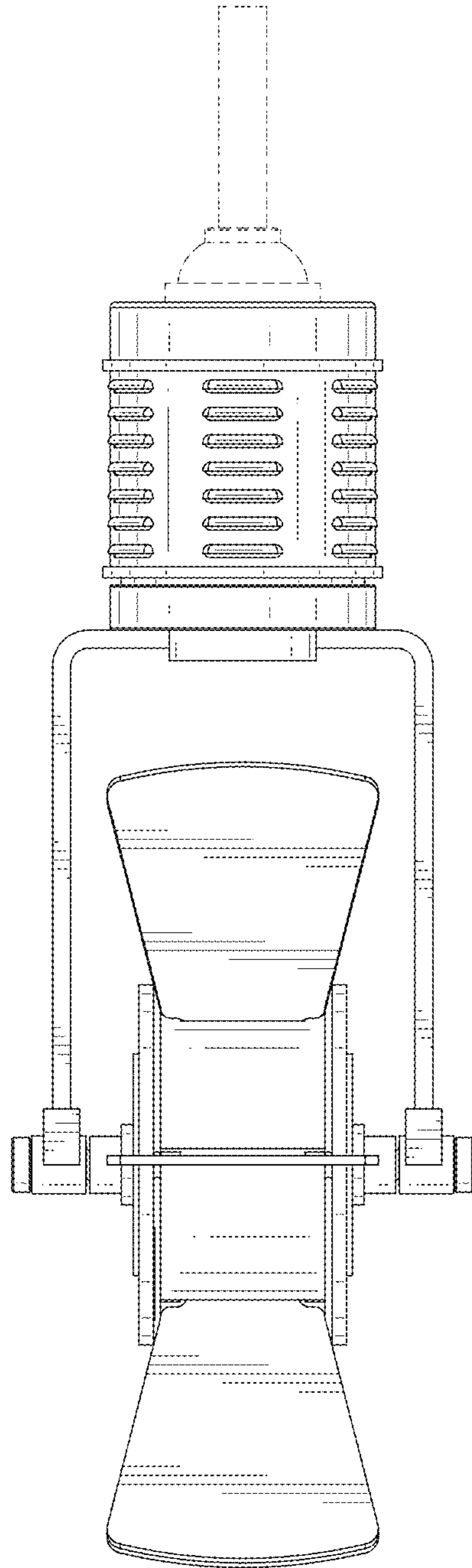


FIG. 4

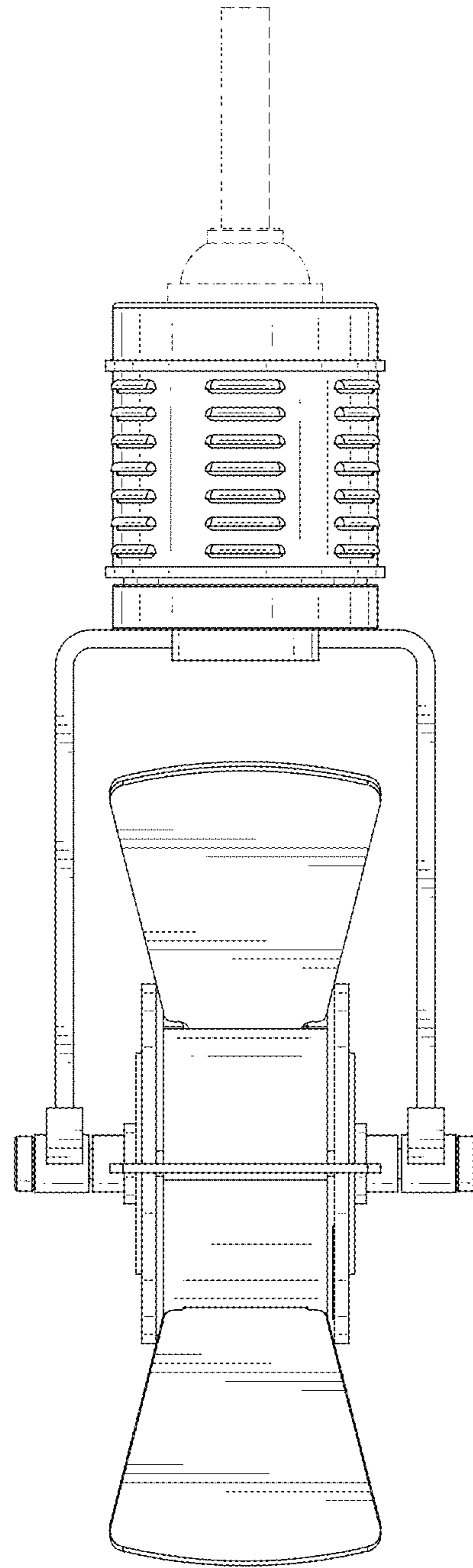


FIG. 5

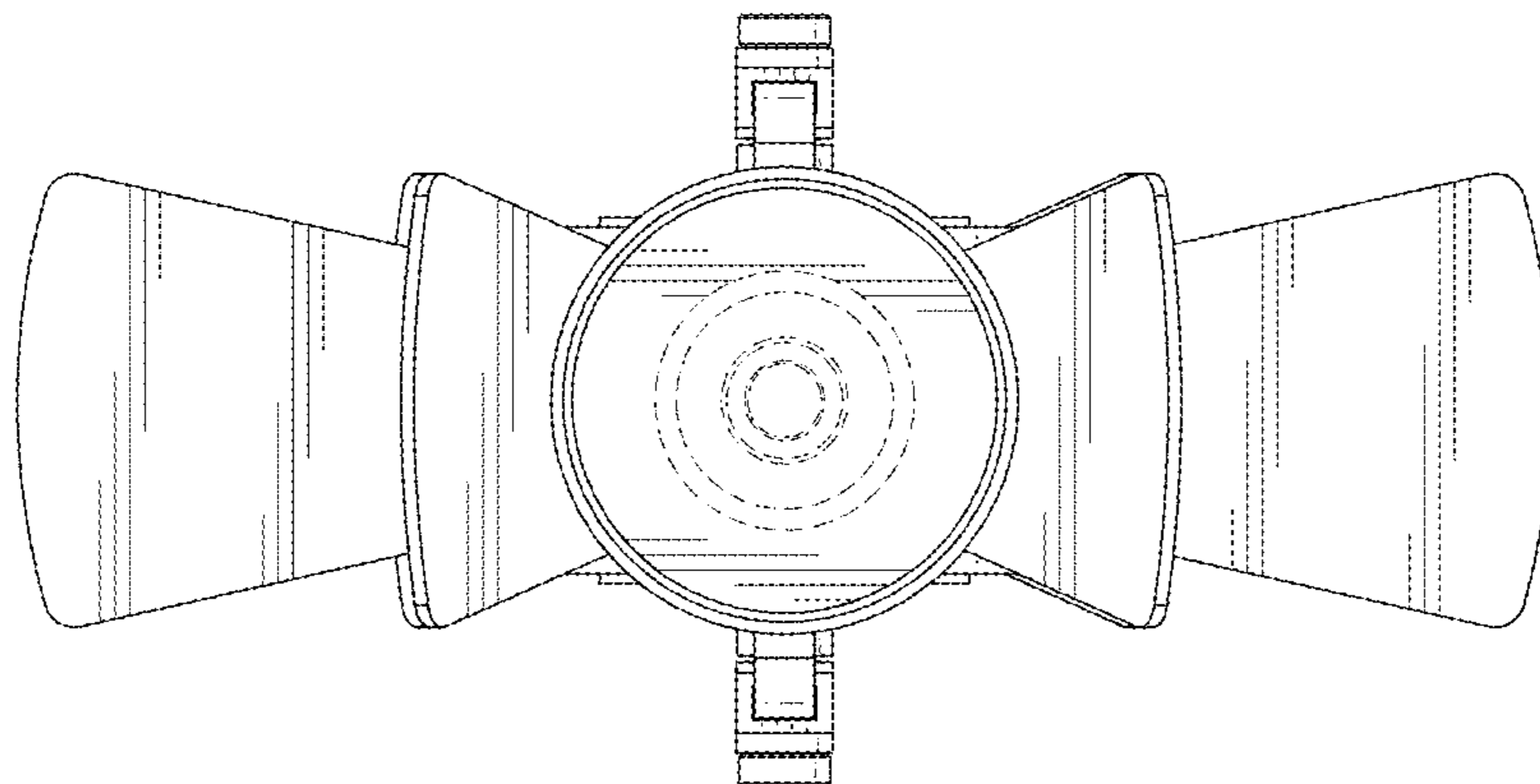


FIG. 6

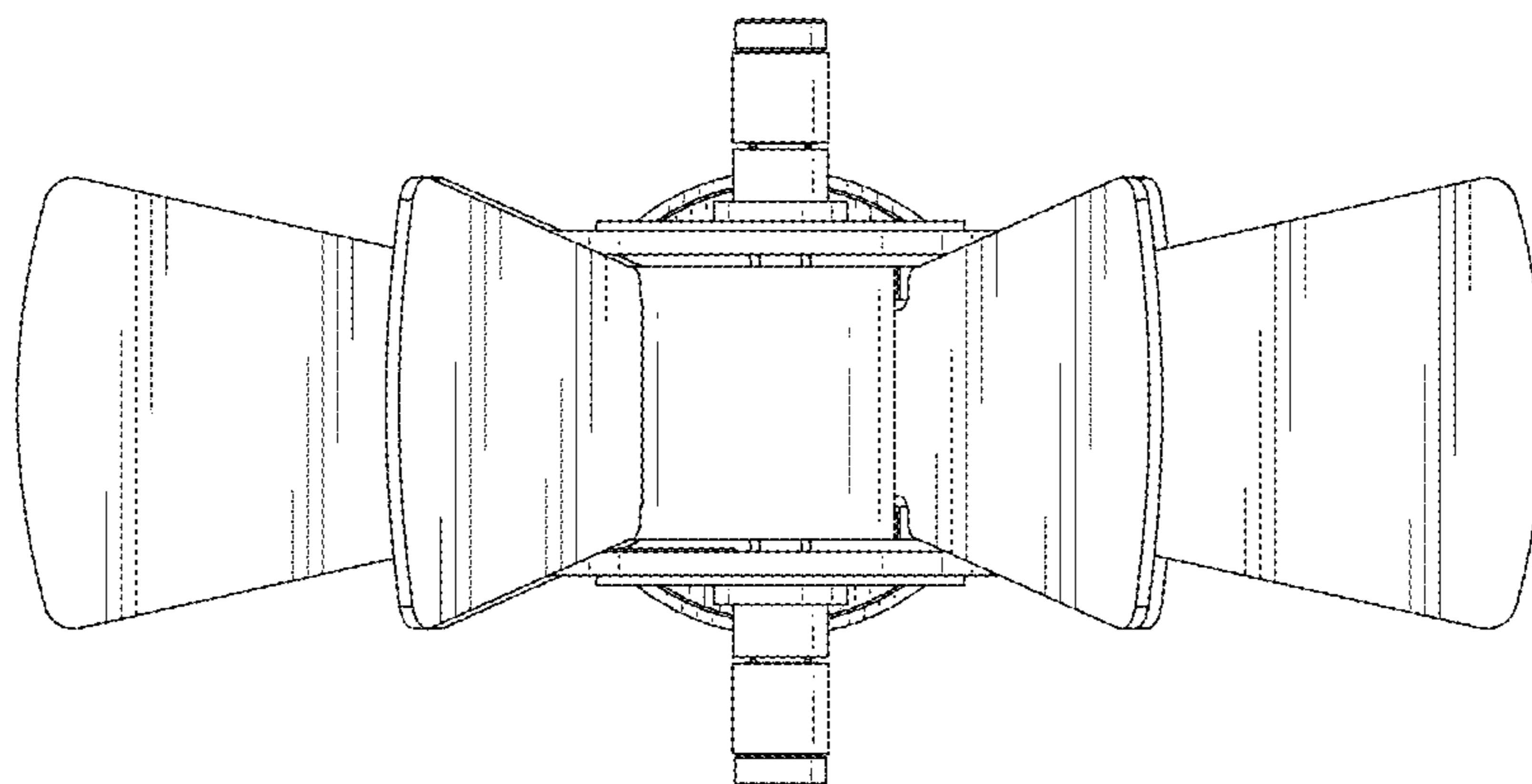


FIG. 7

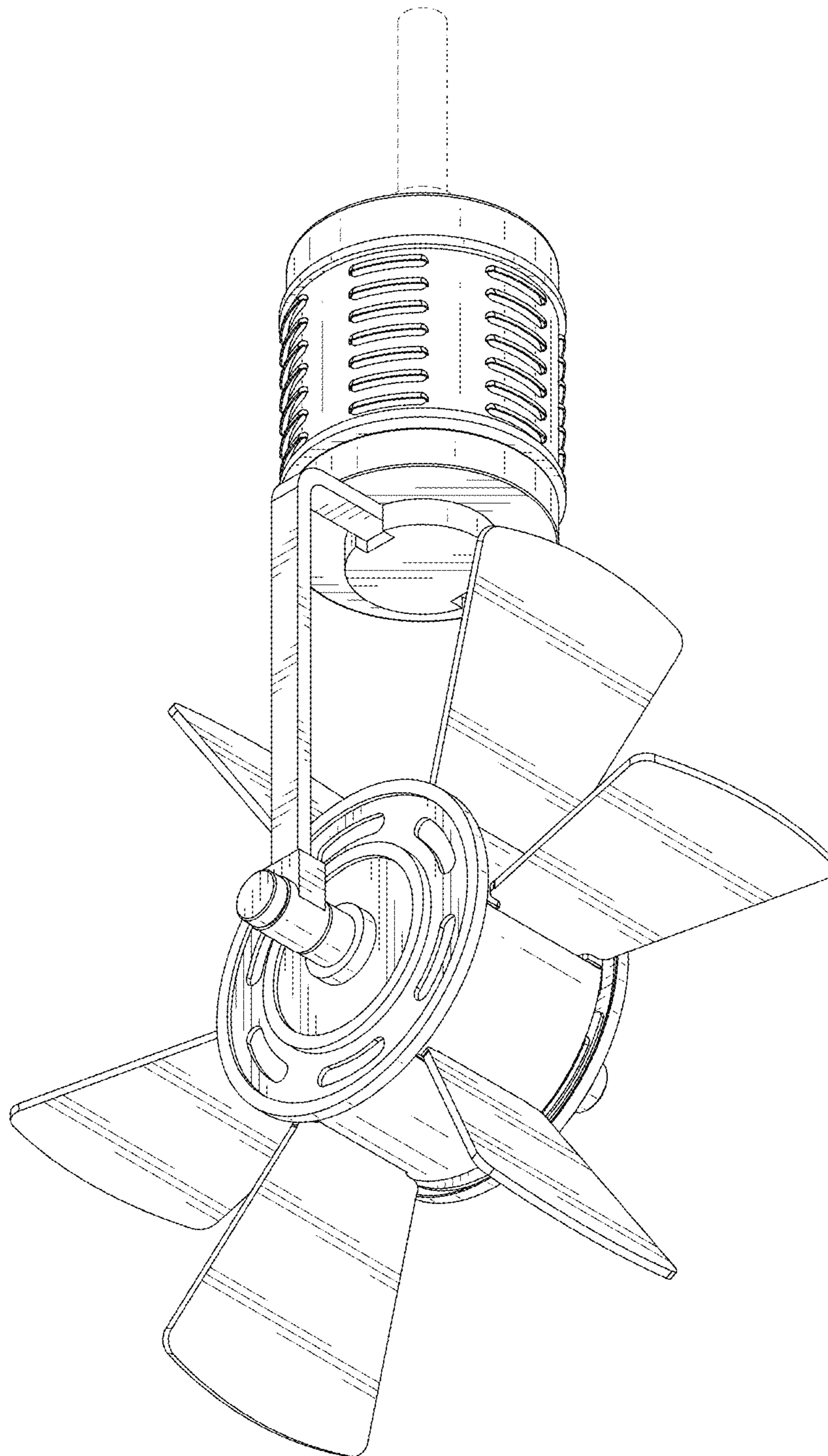


FIG. 8