



US00D817469S

(12) **United States Design Patent** (10) **Patent No.:** **US D817,469 S**
Lane et al. (45) **Date of Patent:** **** May 8, 2018**

(54) **AIR FRESHENING DEVICE**
(71) Applicant: **The Procter & Gamble Company**,
Cincinnati, OH (US)
(72) Inventors: **Richard Lee Lane**, Cincinnati, OH
(US); **William Michael Cannon**, West
Harrison, OH (US)
(73) Assignee: **The Procter & Gamble Company**,
Cincinnati, OH (US)
(**) Term: **15 Years**
(21) Appl. No.: **29/579,697**
(22) Filed: **Oct. 3, 2016**
(51) **LOC (11) Cl.** **28-99**
(52) **U.S. Cl.**
USPC **D23/366**
(58) **Field of Classification Search**
USPC D23/355-370, 386-388; D14/214-216
CPC Y10T 428/1366; B32B 2597/00; B01D
46/00; B01D 46/0004; B01D 27/04
See application file for complete search history.

D611,586 S * 3/2010 Ko D23/366
D692,411 S * 10/2013 Joseph D14/215
D692,413 S * 10/2013 Holzer D14/215
D697,054 S * 1/2014 Li D14/216
D707,805 S * 6/2014 Brewer D23/366
D770,415 S * 11/2016 Pellisari D14/216
D798,430 S * 9/2017 Nord D23/364
D803,811 S * 11/2017 Katsuno D14/216

* cited by examiner

Primary Examiner — Robert M. Spear
Assistant Examiner — John A Voytek
(74) *Attorney, Agent, or Firm* — Abbey A. Lopez

(57) **CLAIM**

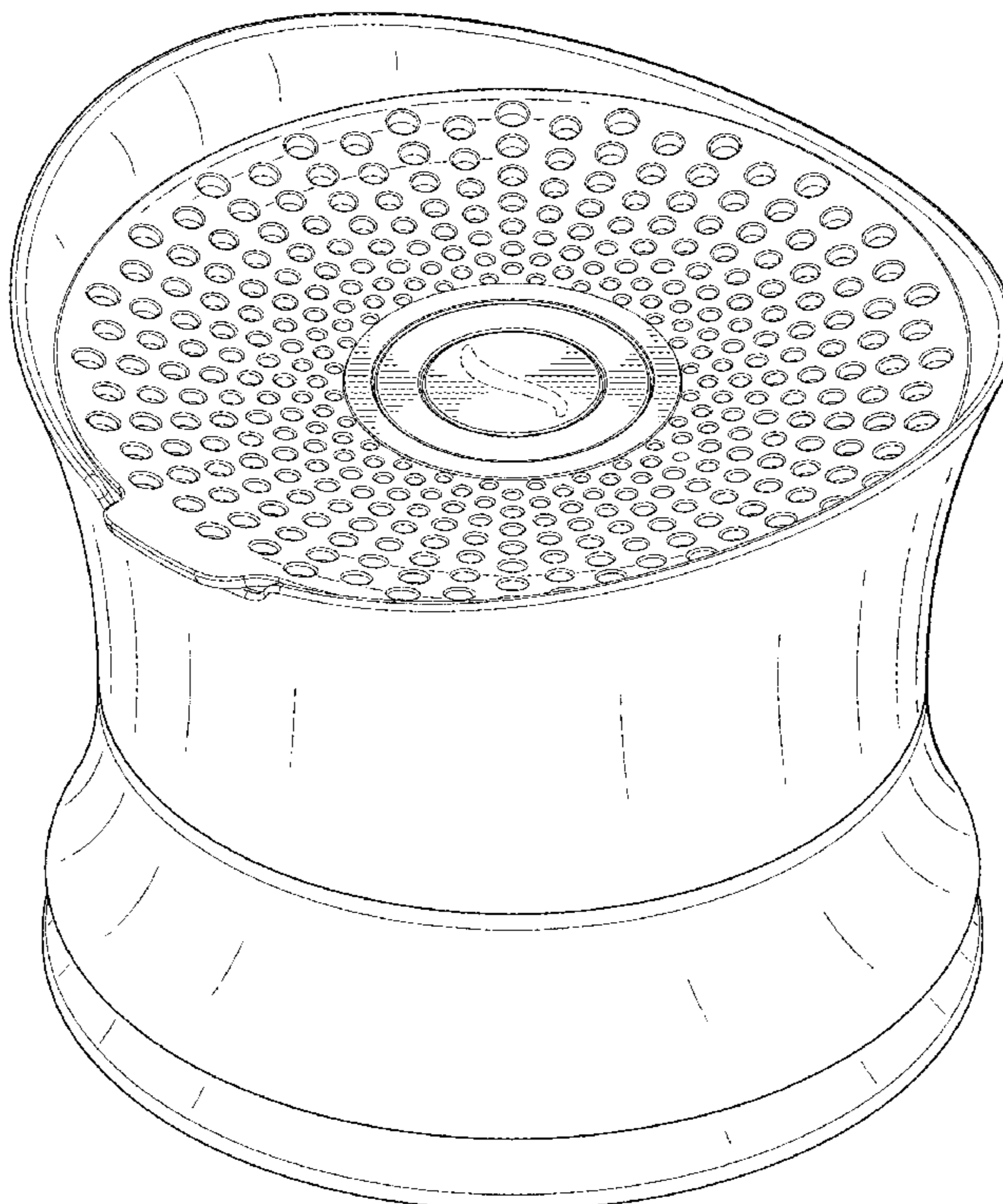
The ornamental design for an air freshening device, as shown and described.

DESCRIPTION

FIG. 1 is a perspective view of an embodiment of an air freshening device;
FIG. 2 is a side view of the air freshening device of FIG. 1;
FIG. 3 is a rear view of the air freshening device of FIG. 1;
FIG. 4 is a side view of the air freshening device of FIG. 1, opposite the side view shown in FIG. 2;
FIG. 5 is a front view of the air freshening device of FIG. 1;
FIG. 6 is a top view of the air freshening device of FIG. 1; and,
FIG. 7 is a bottom view of the air freshening device of FIG. 1.
The broken lines shown in the drawings are for illustrative purposes only and form no part of the claimed design.

1 Claim, 7 Drawing Sheets

(56) **References Cited**
U.S. PATENT DOCUMENTS
D415,159 S * 10/1999 Nakano D14/215
D451,495 S * 12/2001 McGurty D14/214
D560,788 S * 1/2008 Farrell D23/366
D591,267 S * 4/2009 Files D12/114
D606,642 S * 12/2009 Weggelaar D23/366



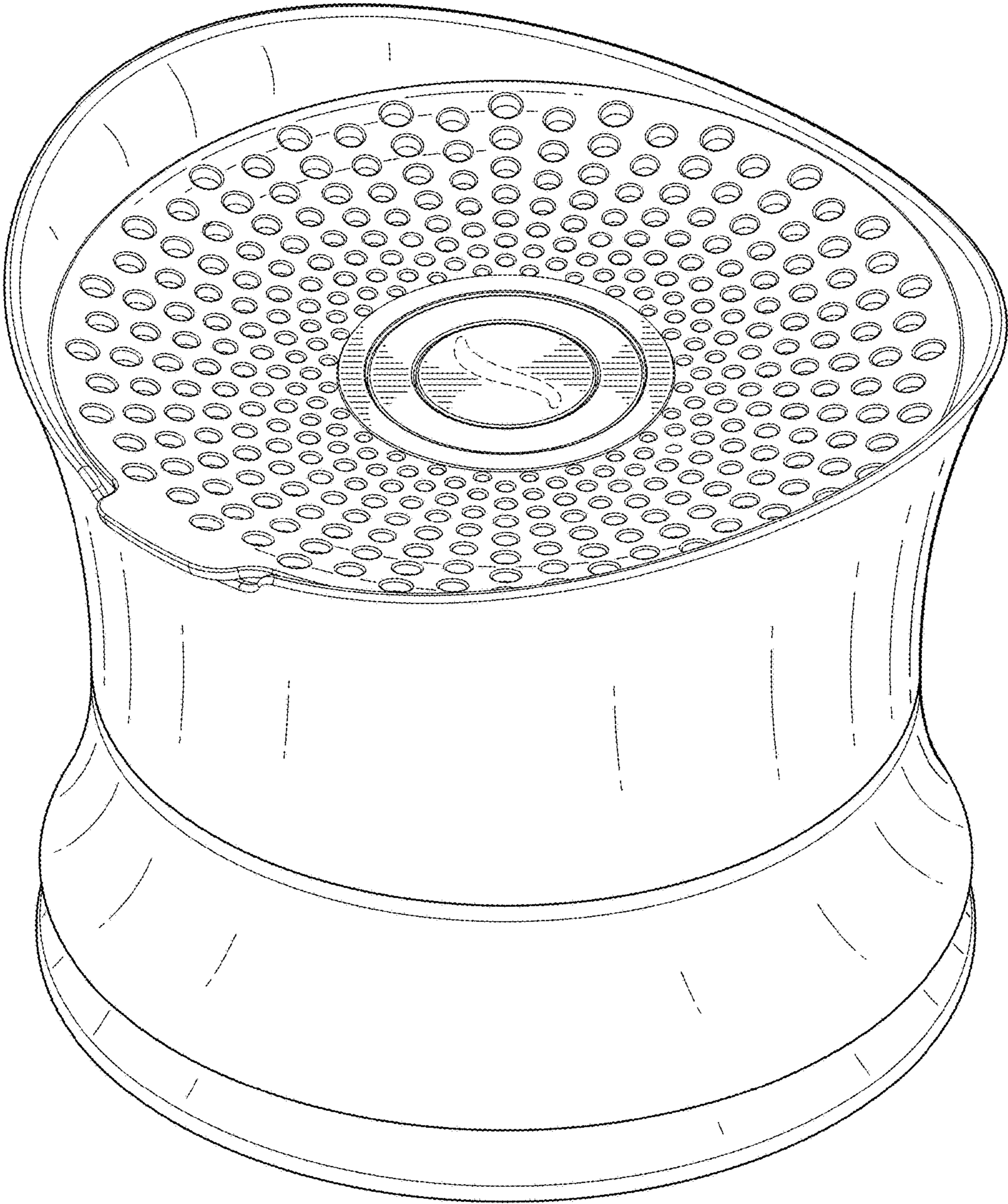


FIG. 1

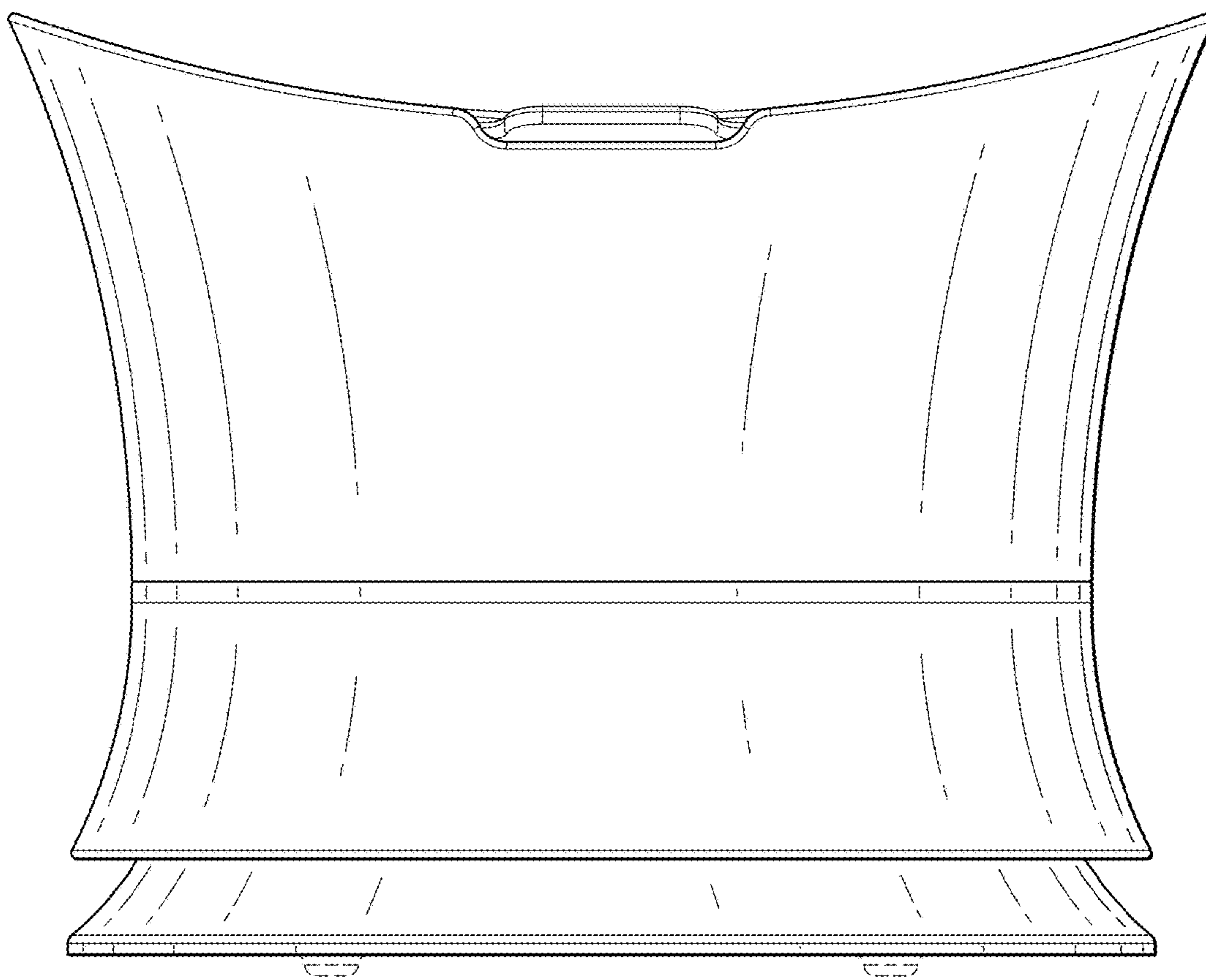


FIG. 2

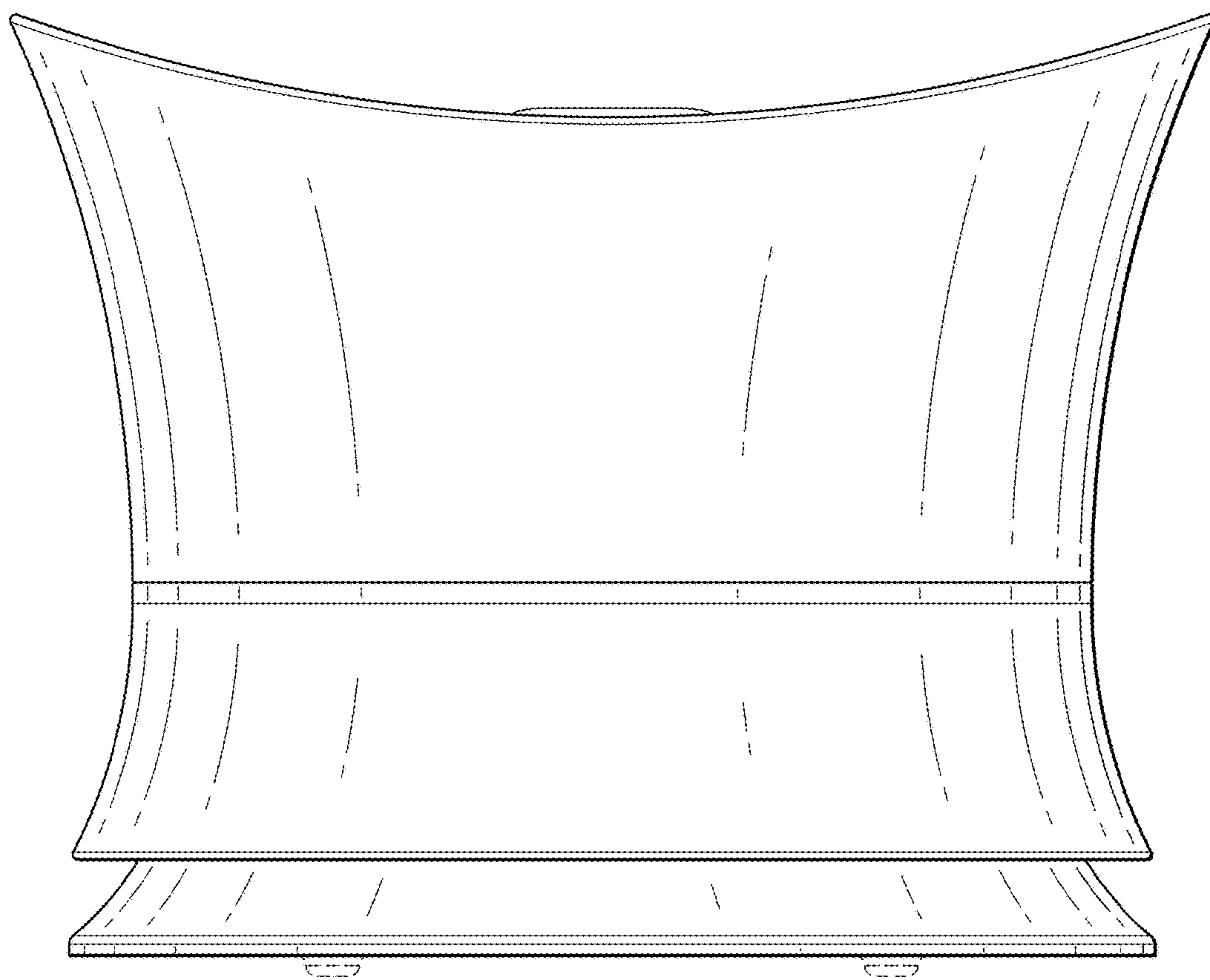


FIG. 3

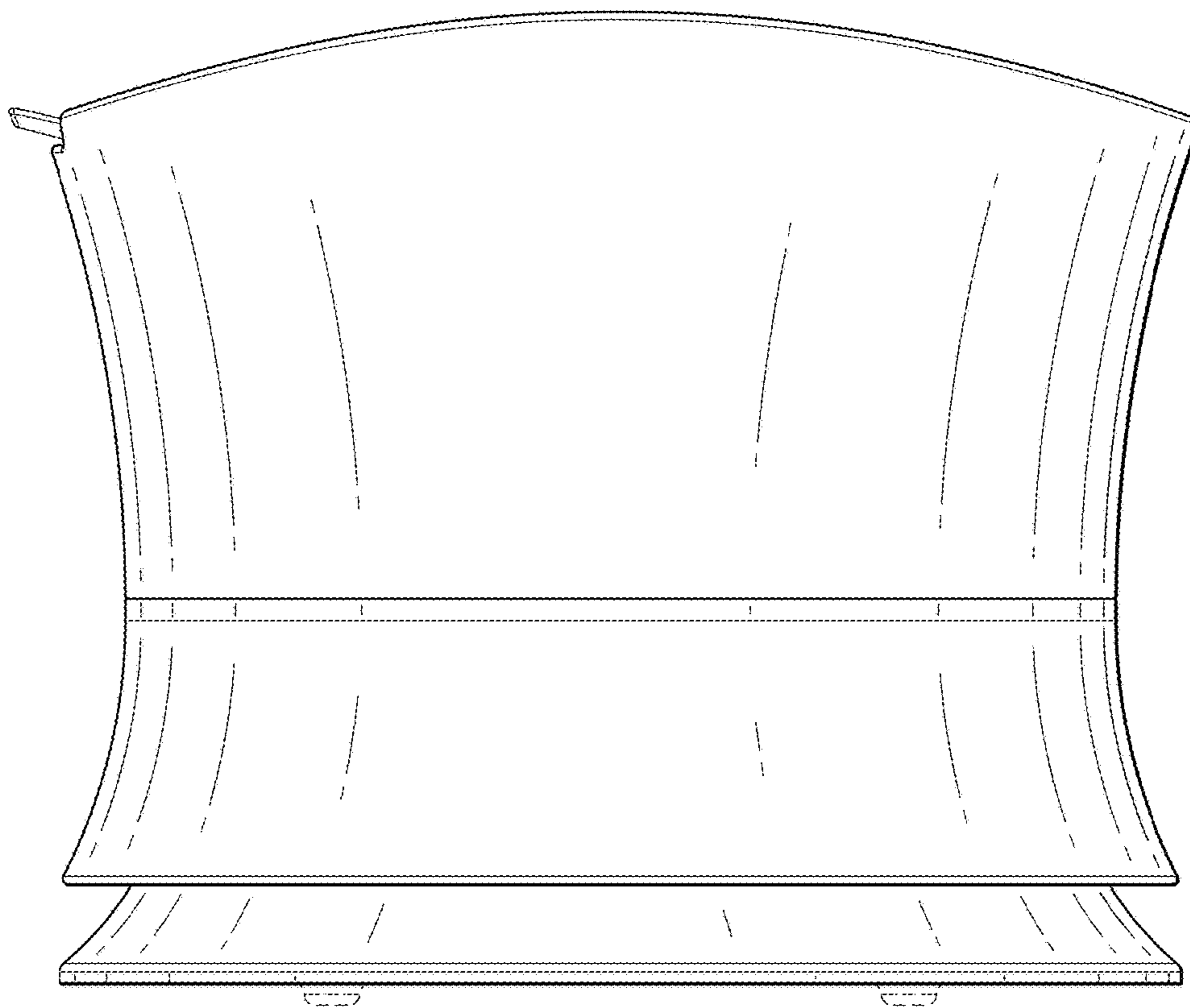


FIG. 4

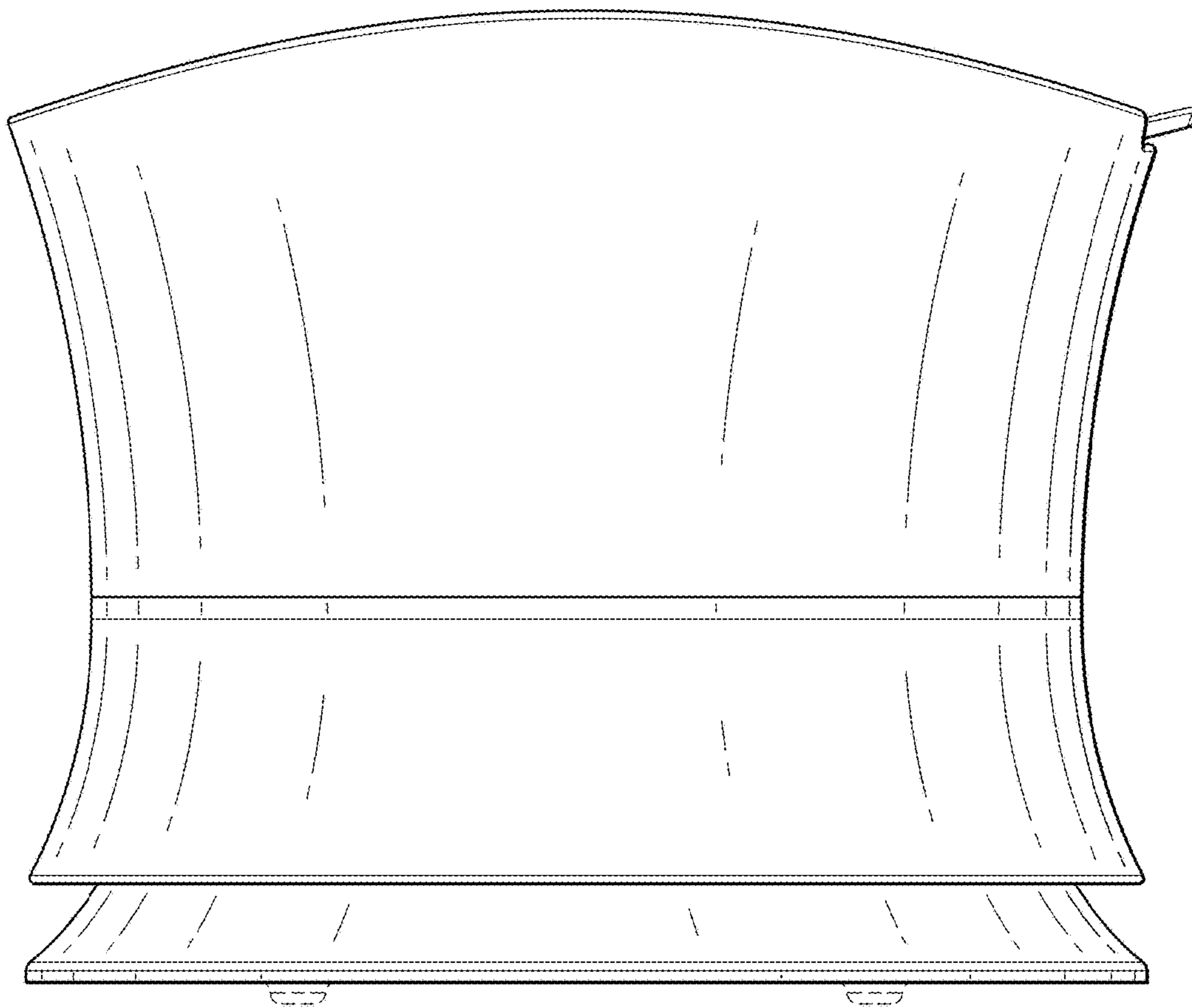


FIG. 5

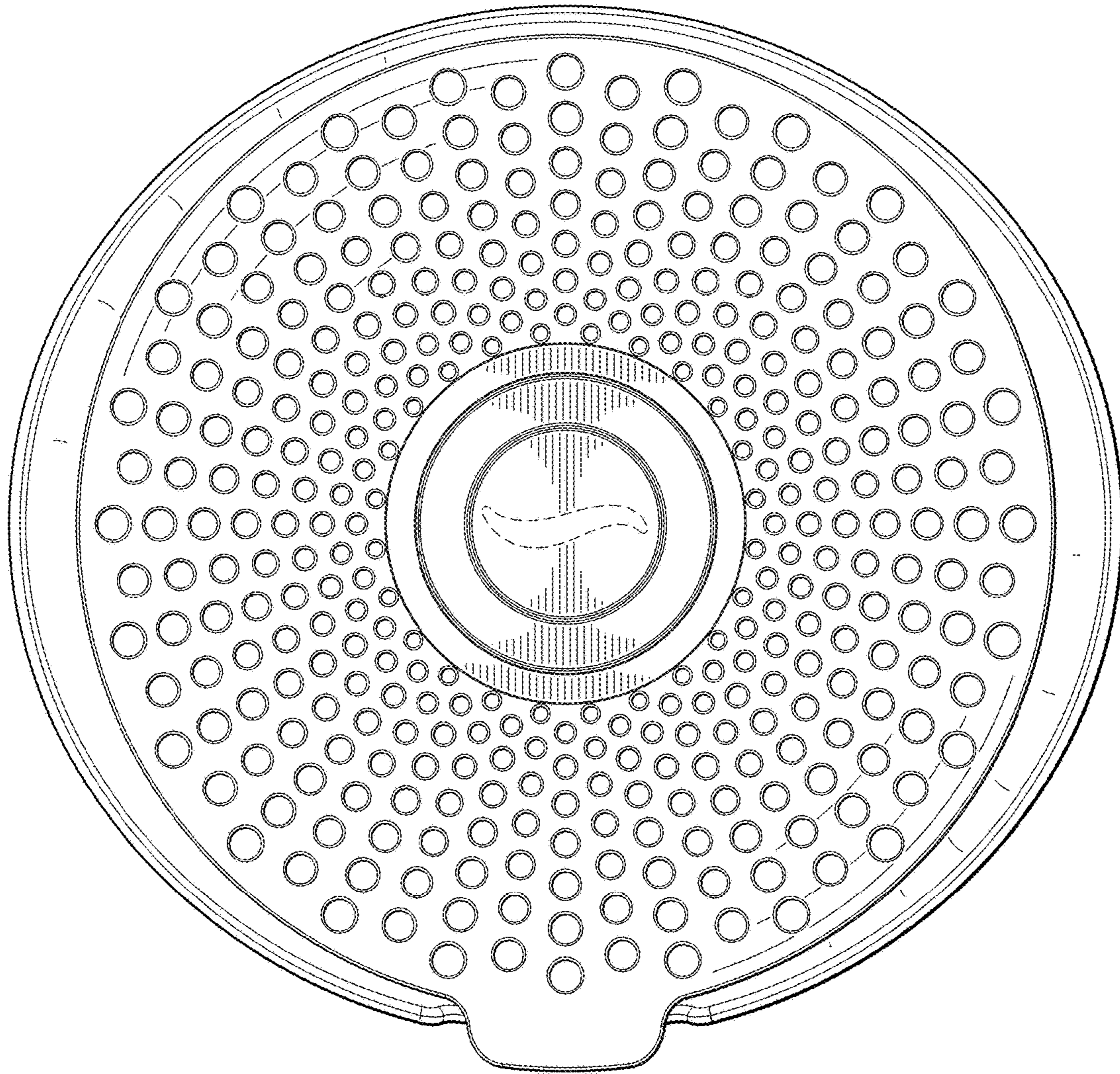


FIG. 6

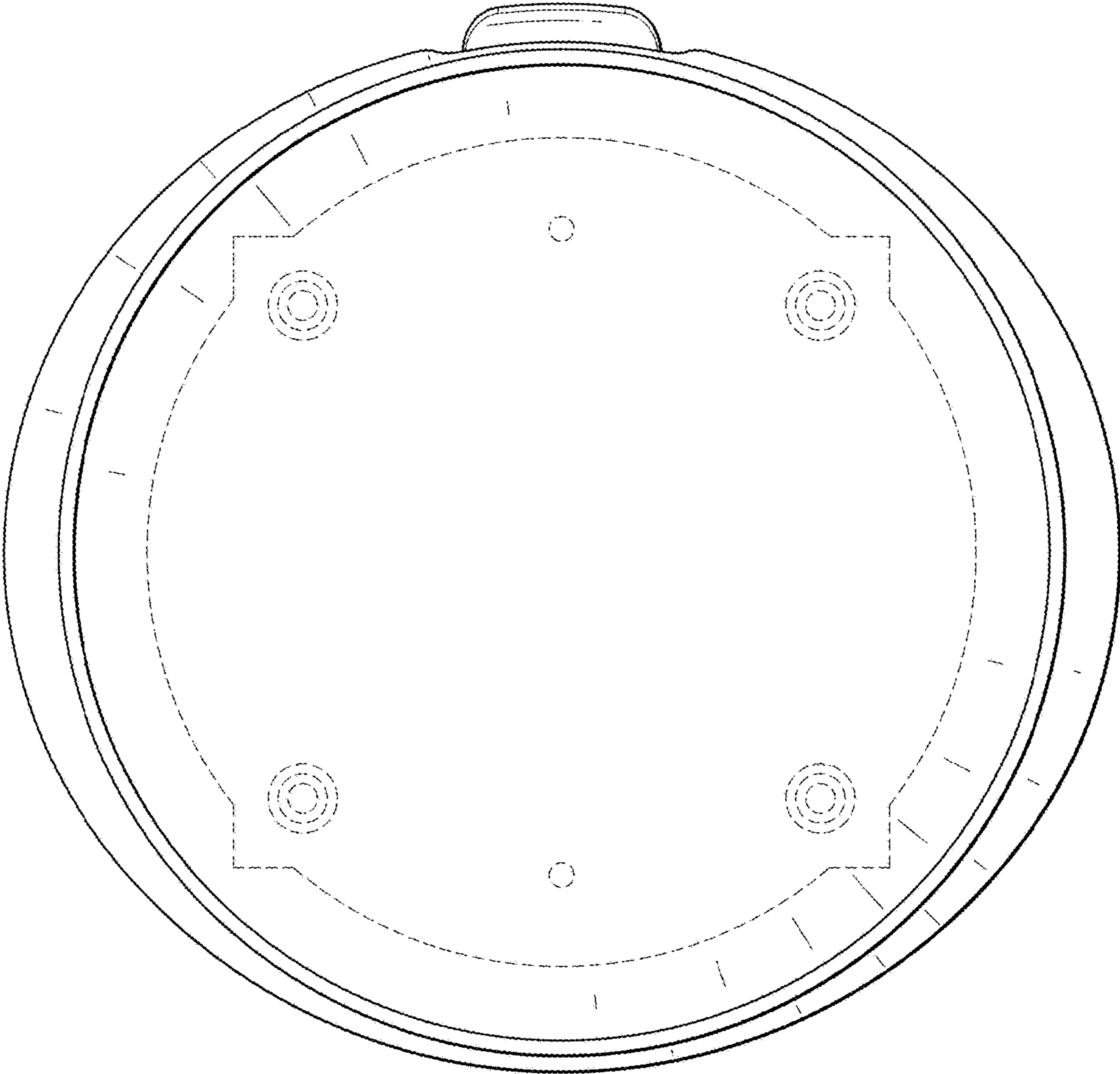


FIG. 7