



US00D817468S

(12) **United States Design Patent** (10) **Patent No.:** **US D817,468 S**
Ruhland et al. (45) **Date of Patent:** **** May 8, 2018**

(54) **FILTER HOUSING** 8,747,737 B2 * 6/2014 Lynn A61L 9/015
 250/455.11
 (71) Applicant: **MANN+HUMMEL GMBH,** D725,760 S * 3/2015 Nakagawa D23/365
 Ludwigsburg (DE) D762,834 S * 8/2016 Kaufmann D23/365
 D775,715 S * 1/2017 Kim D23/351
 (72) Inventors: **Klaus-Dieter Ruhland,** Meckenheim D777,891 S * 1/2017 Kubota D23/351
 (DE); **Michael Kaufmann,** D784,503 S * 4/2017 Eicher D23/351
 Meckenheim (DE); **Peter Theiss,** D789,502 S * 6/2017 Cartwright D23/356
 Ludwigsburg (DE) D789,503 S * 6/2017 Alvise D23/359
 D791,295 S * 7/2017 Wetzel D23/351

* cited by examiner

(73) Assignee: **MANN+HUMMEL GmbH,**
Ludwigsburg (DE)

Primary Examiner — David Muller

(**) Term: **15 Years**

(74) *Attorney, Agent, or Firm* — James Hasselbeck

(21) Appl. No.: **29/580,701**

(57) **CLAIM**

(22) Filed: **Oct. 12, 2016**

We claim the ornamental design for a filter housing, as shown and described.

(30) **Foreign Application Priority Data**

DESCRIPTION

Apr. 12, 2016 (EM) 003065150-0001
 (51) **LOC (11) Cl.** **23-04**
 (52) **U.S. Cl.**
 USPC **D23/365**
 (58) **Field of Classification Search**
 USPC D23/355–366, 352, 369, 332, 333, 335,
 D23/336, 342, 351; 422/120, 122;
 55/356, 473, 504; 96/97; 261/DIG. 17,
 261/DIG. 65, DIG. 88, DIG. 31
 CPC .. A61L 9/16; A61L 9/22; B01D 47/00; B01D
 47/027; B01D 2221/02; B01D 2259/4508;
 B03C 3/155; F24F 13/20; F24F 13/22
 See application file for complete search history.

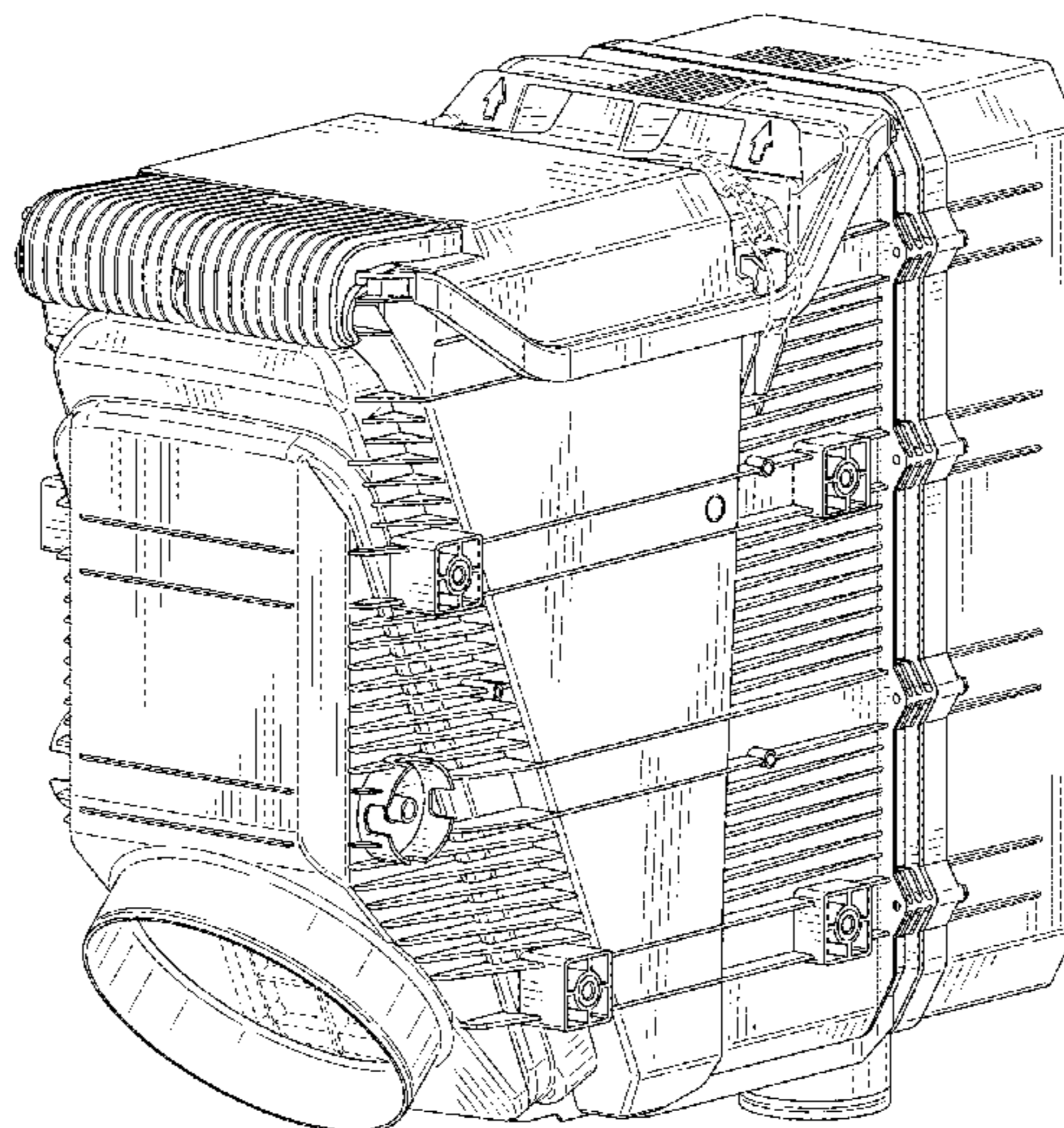
FIG. 1 shows a front elevational view of the filter housing showing our new design;
 FIG. 2 shows a top plan view thereof;
 FIG. 3 shows a bottom plan view thereof;
 FIG. 4 shows a rear elevational view thereof;
 FIG. 5 shows a right side elevational view thereof;
 FIG. 6 shows a left side elevational view thereof;
 FIG. 7 shows a perspective view of the rear, top and left sides, thereof;
 FIG. 8 shows a perspective view of the top, left and rear sides, thereof;
 FIG. 9 shows a perspective view of the left, top and front sides, thereof;
 FIG. 10 shows a partial perspective of the front from the left and top; and,
 FIG. 11 shows a rear, bottom perspective view, aligned to look directly into the large circular feature.
 The broken line showing of parts of the drawings is included for the purpose of illustrating use and environment and forms no part of the claimed design.

(56) **References Cited**

U.S. PATENT DOCUMENTS

D253,845 S * 1/1980 Morrow D23/357
 4,932,988 A * 6/1990 Lutterbach B01D 46/00
 55/356
 D311,270 S * 10/1990 Savage D23/365
 D696,760 S * 12/2013 Wolf, II D23/364

1 Claim, 11 Drawing Sheets



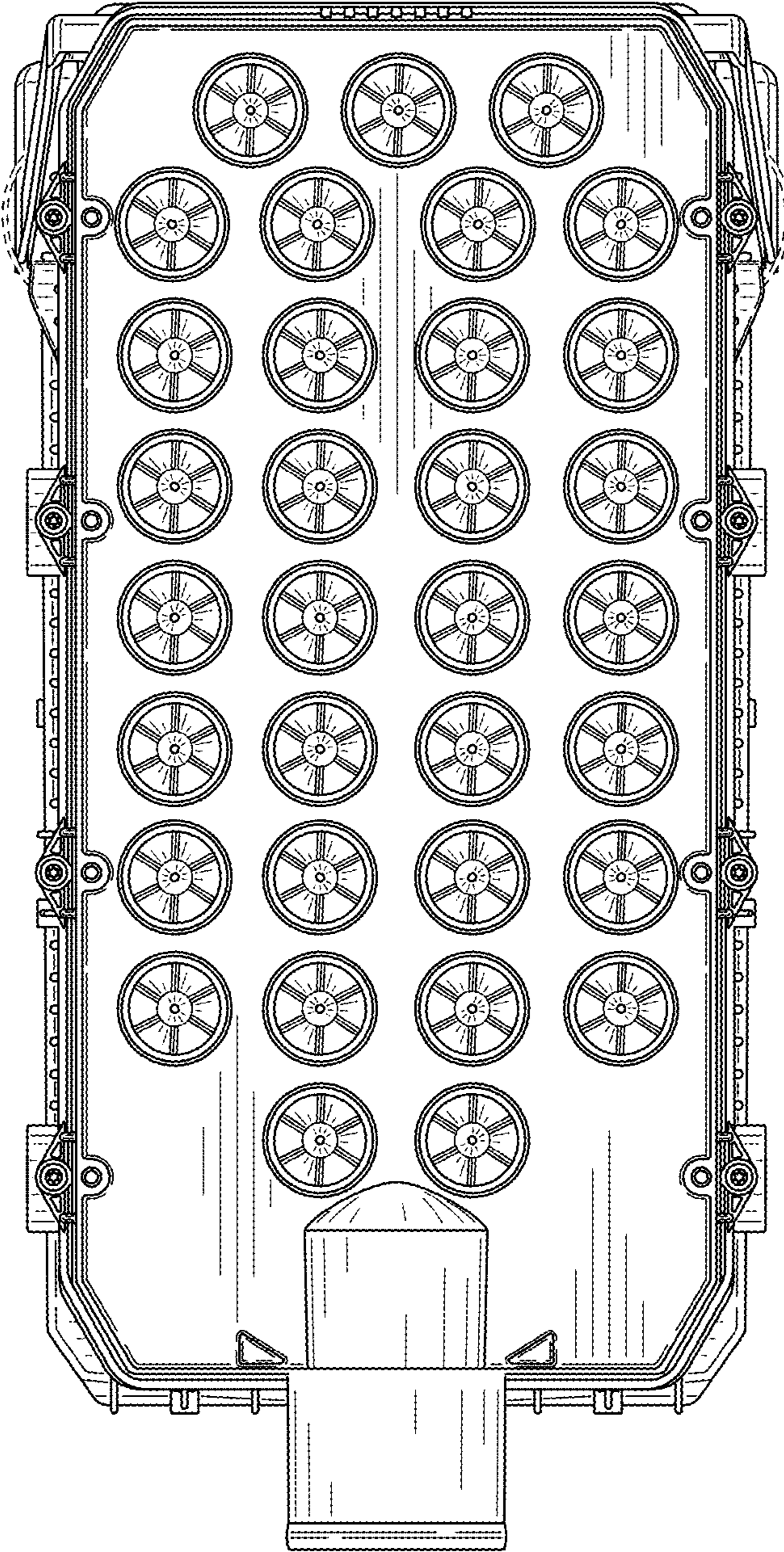


FIG. 1

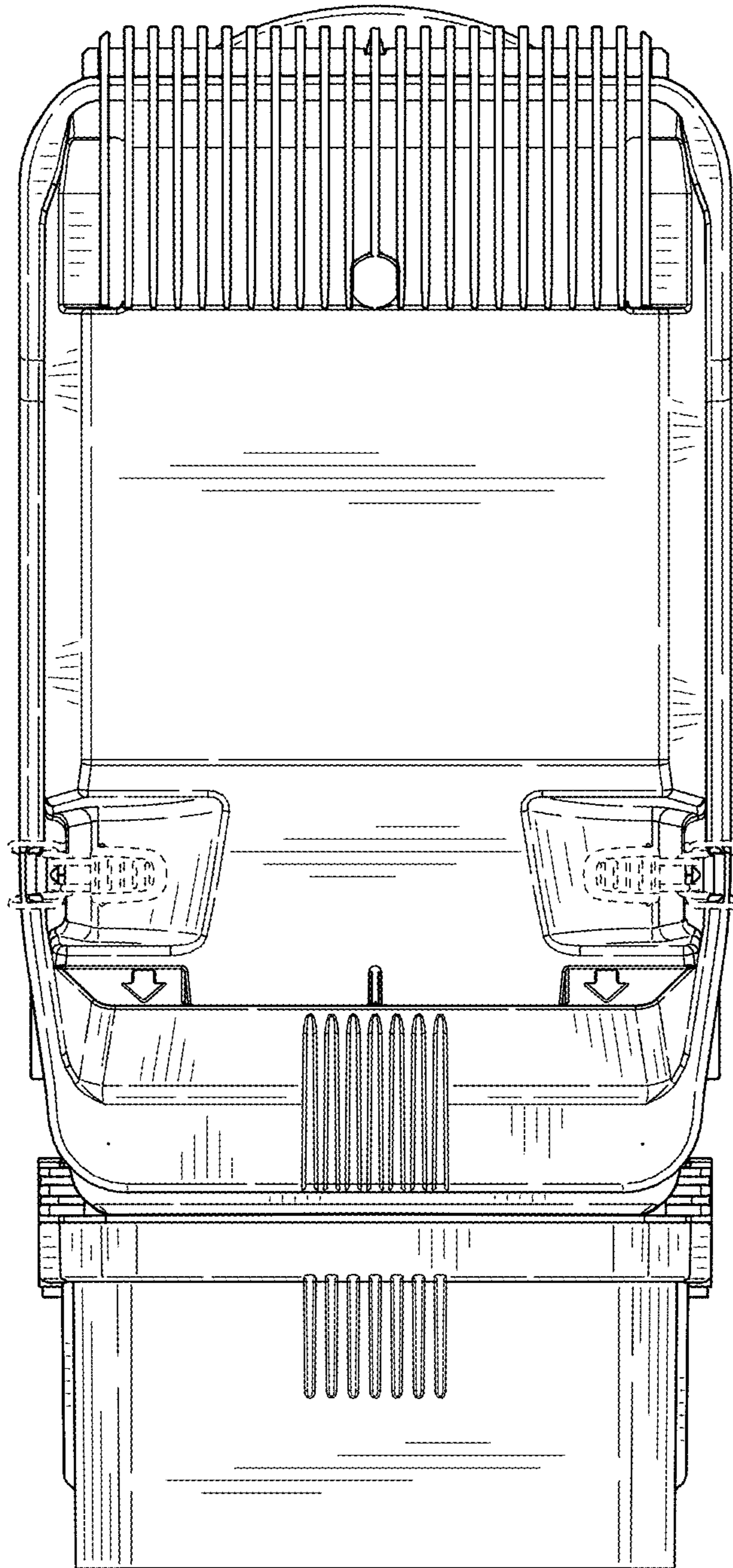


FIG. 2

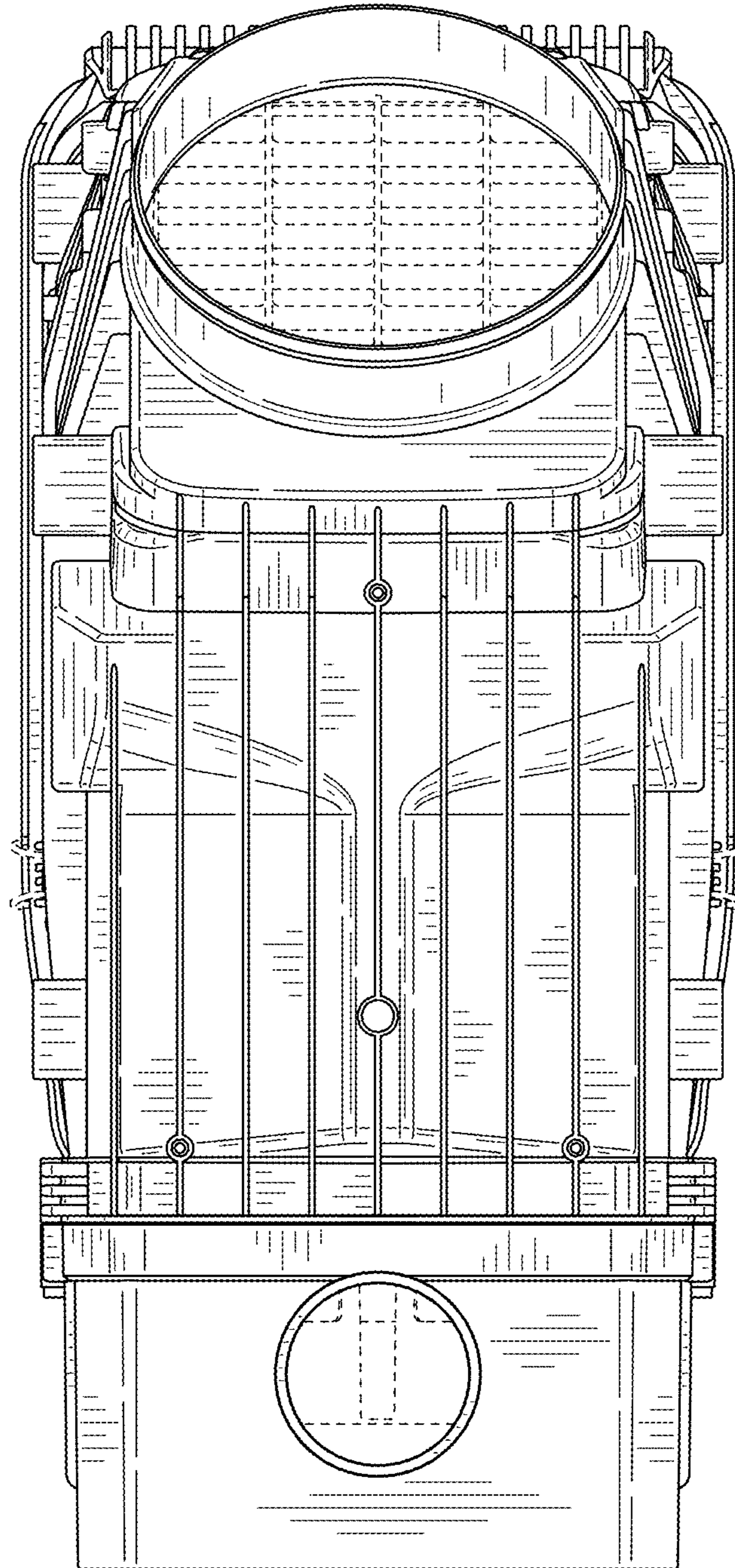


FIG. 3

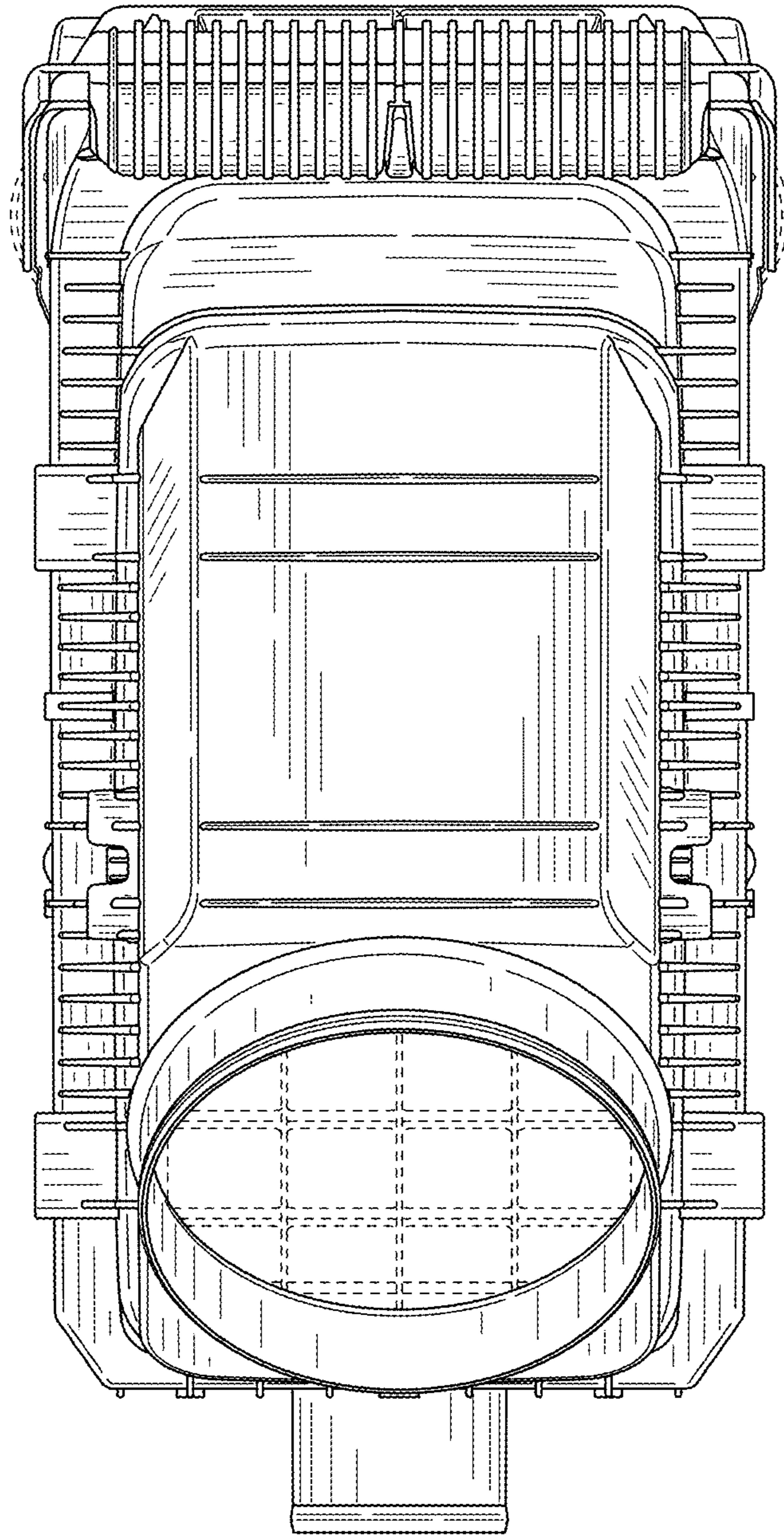


FIG. 4

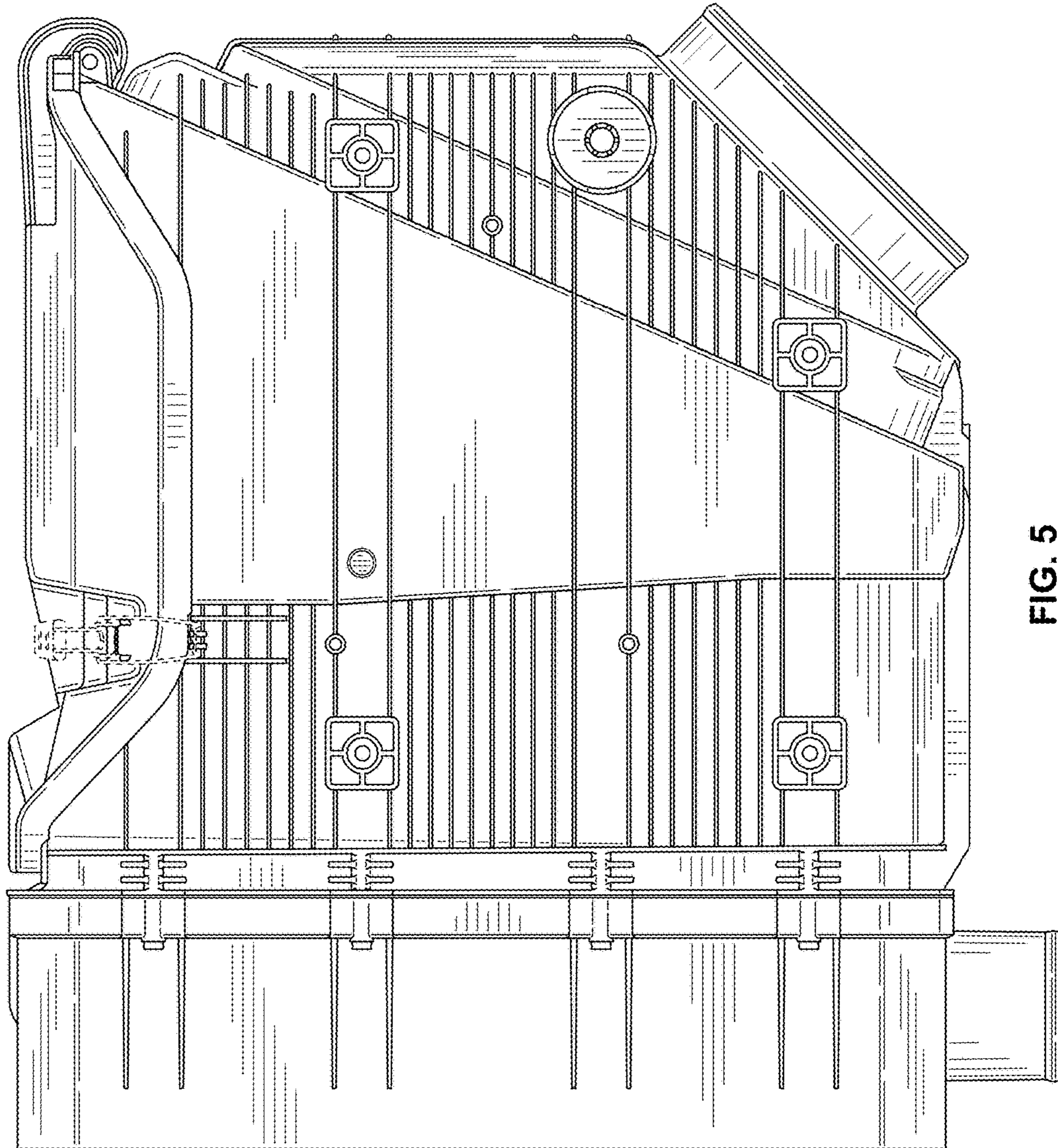


FIG. 5

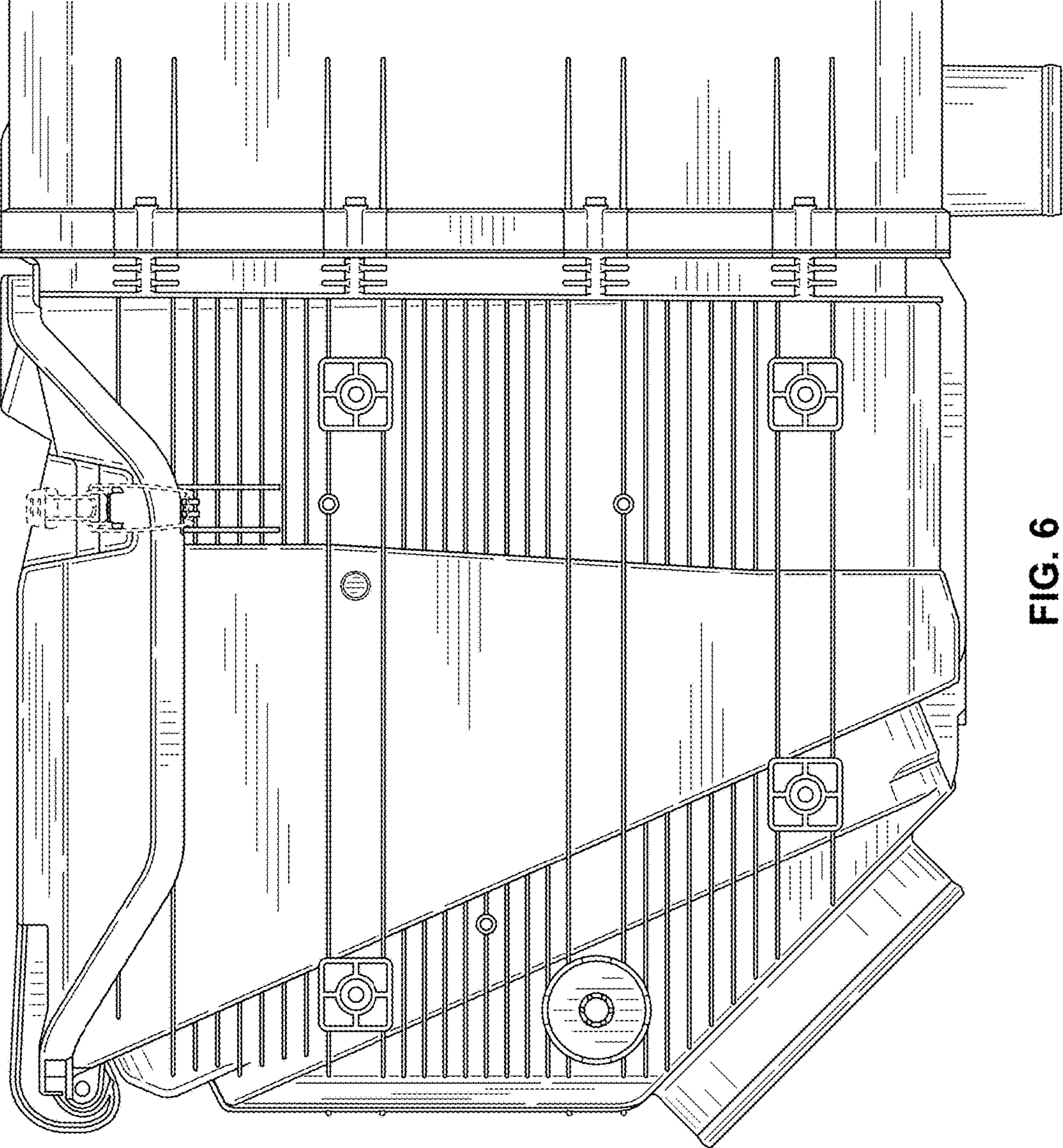


FIG. 6

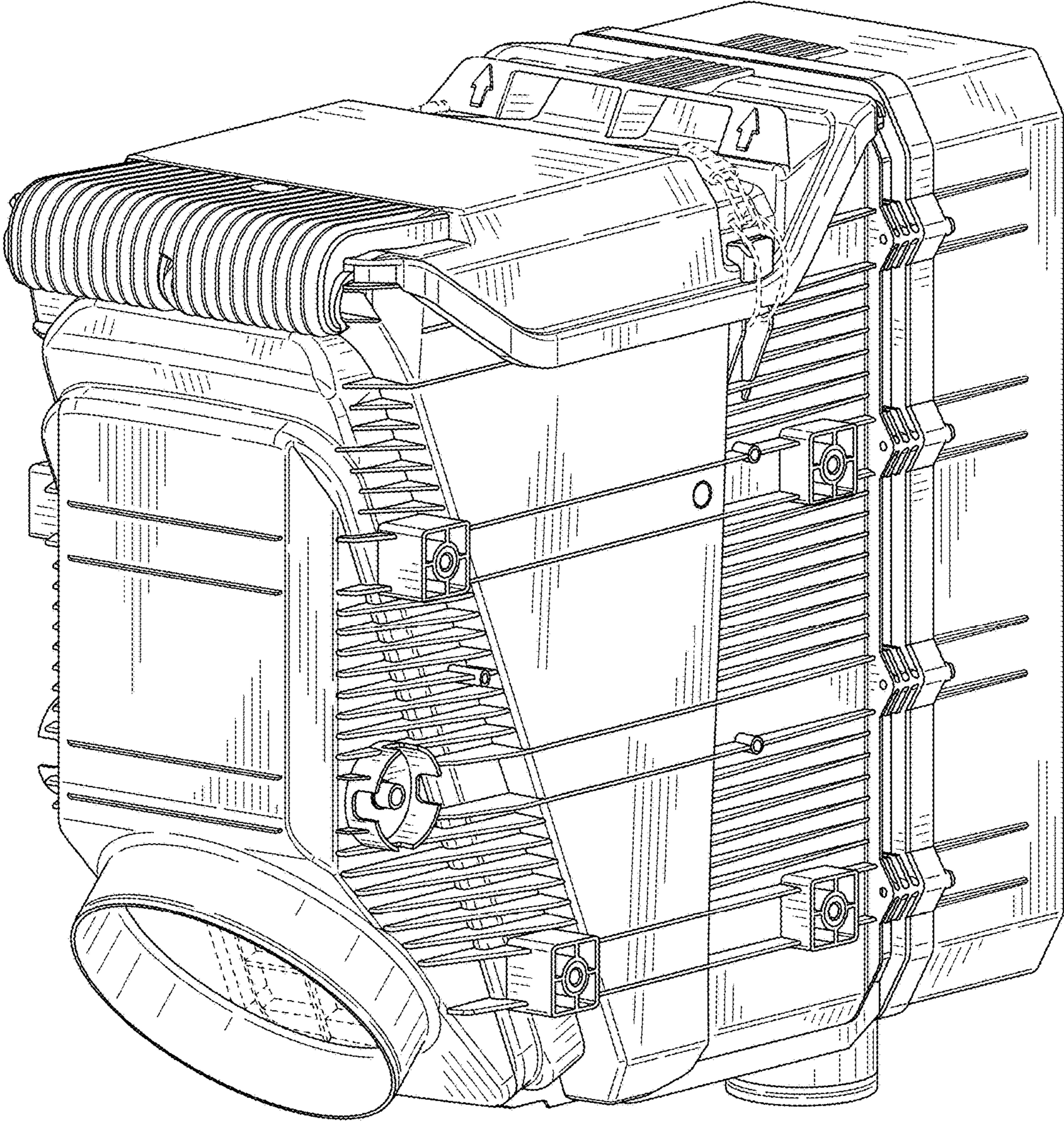


FIG. 7

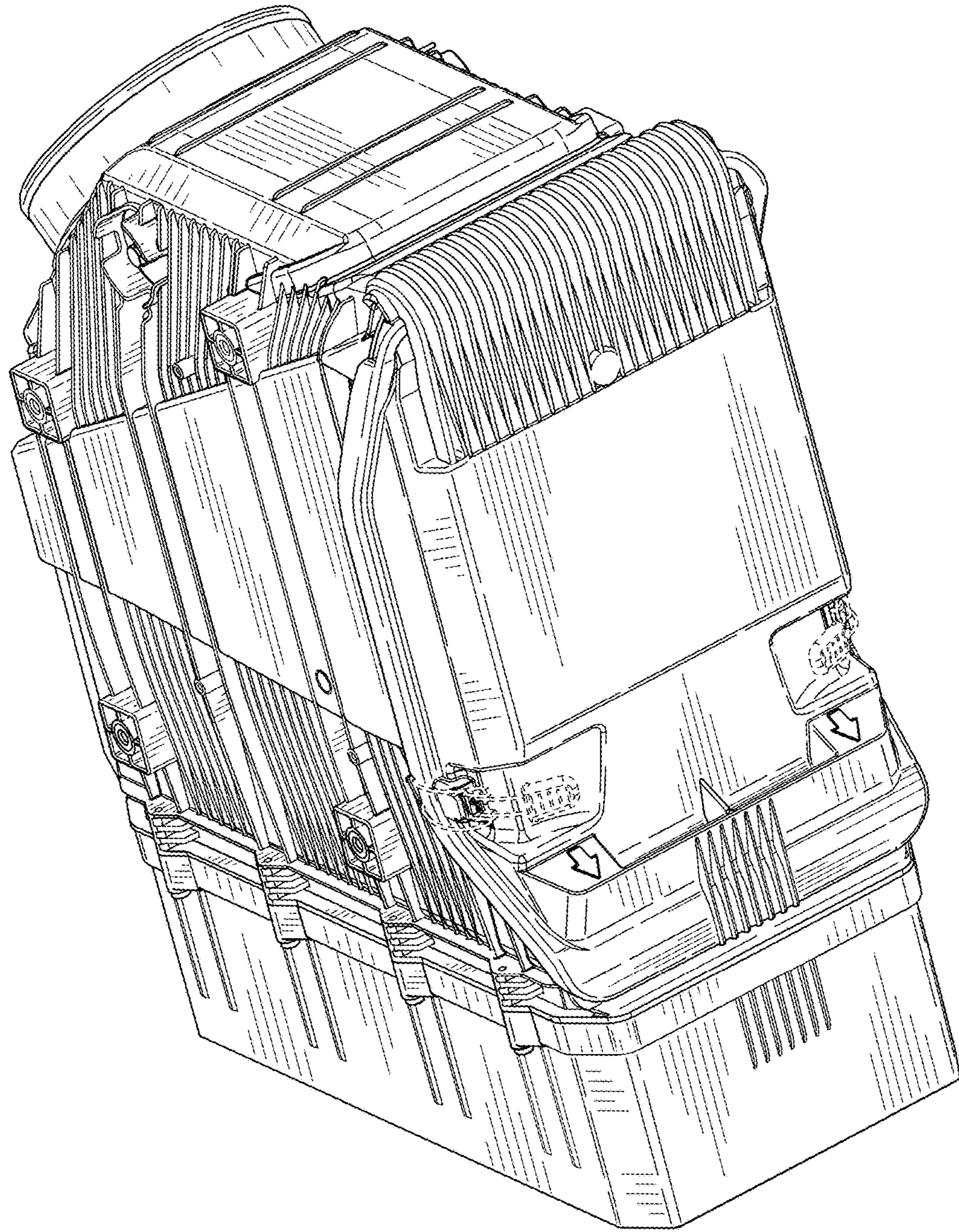


FIG. 8

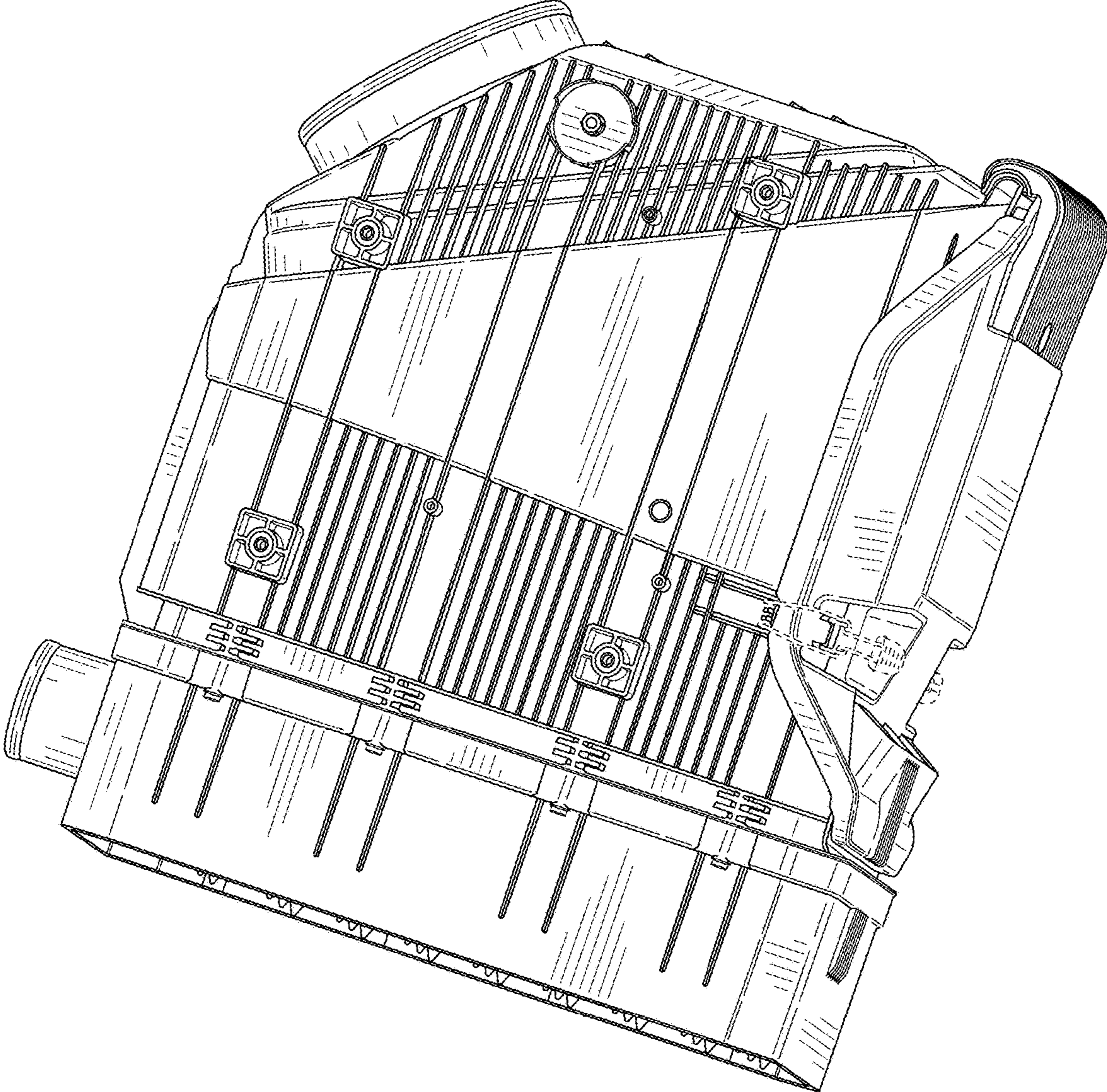


FIG. 9

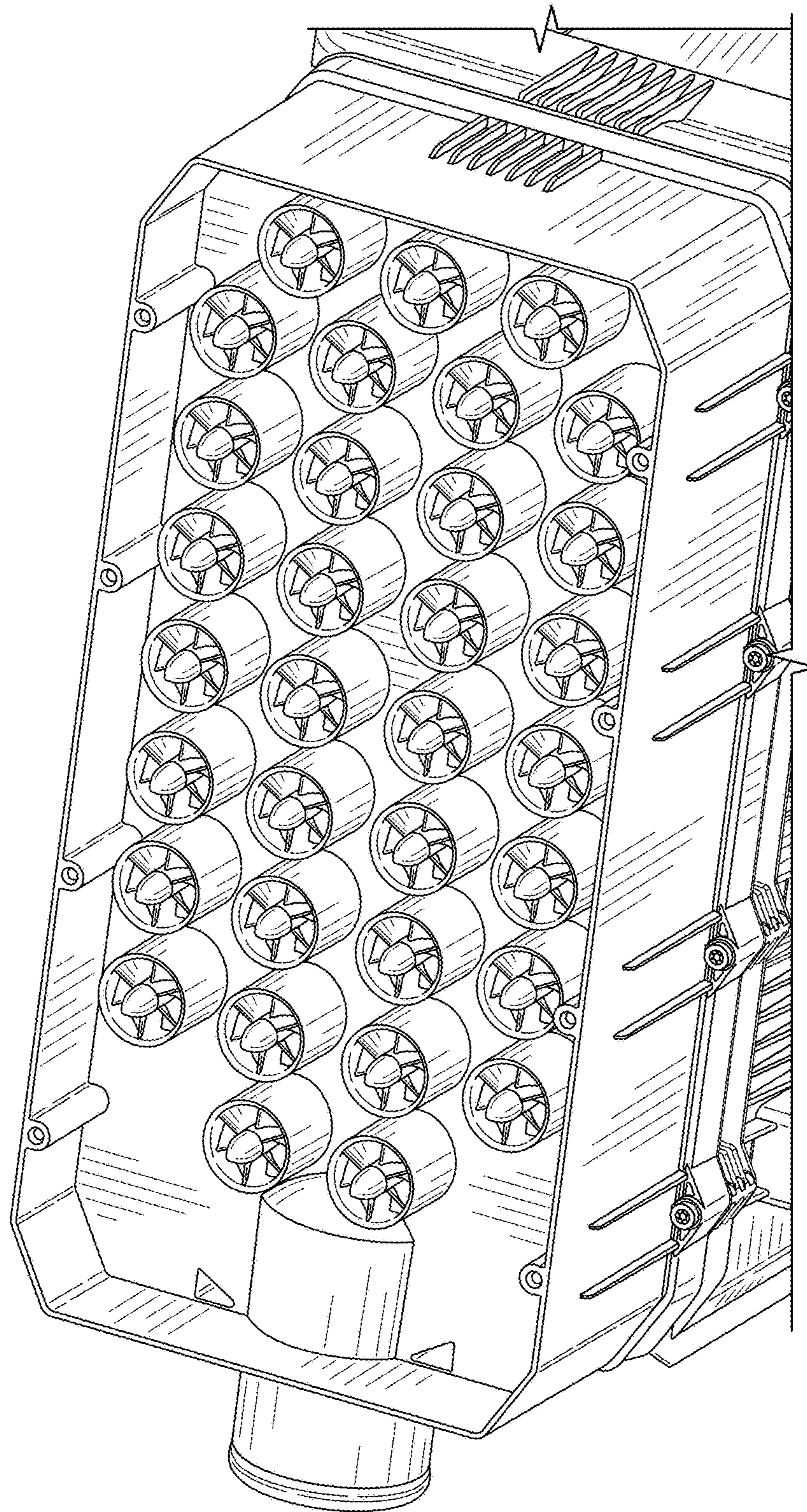


FIG. 10

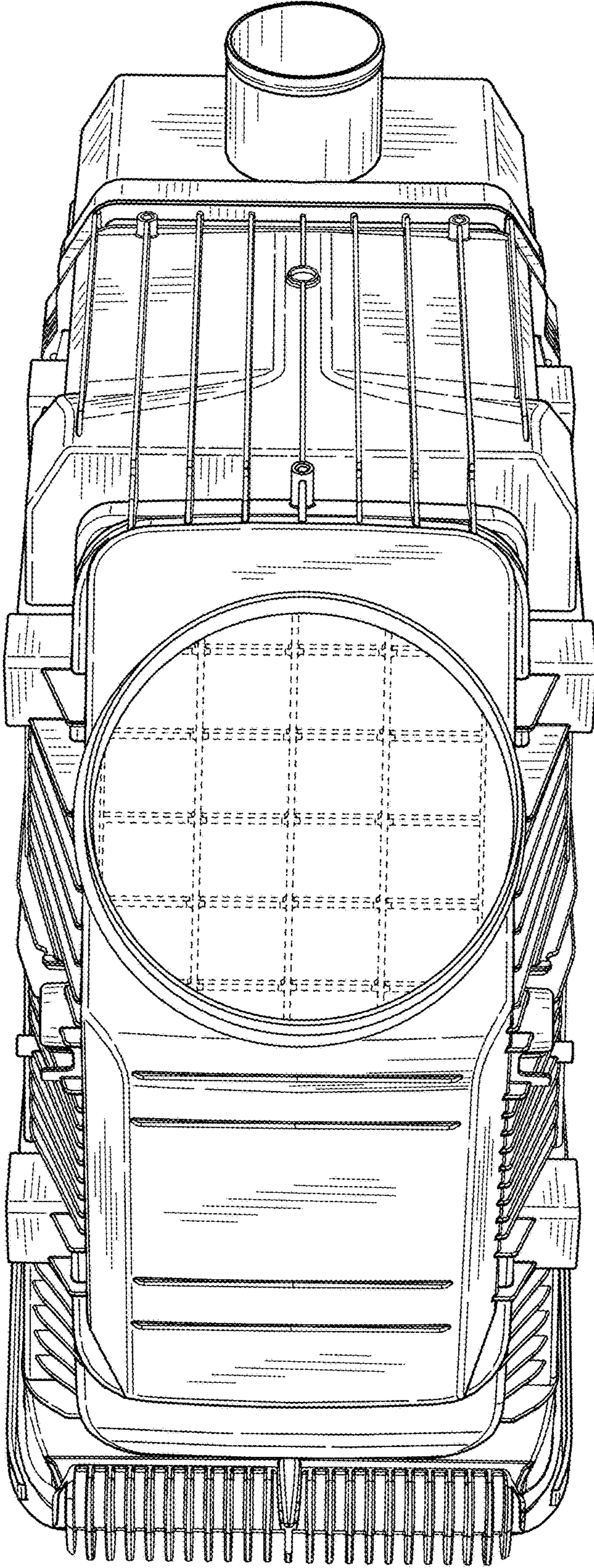


FIG. 11