



US00D817467S

(12) **United States Design Patent** (10) **Patent No.:** **US D817,467 S**  
**Shin** (45) **Date of Patent:** **\*\* May 8, 2018**

(54) **AIR PURIFIER**

(56) **References Cited**

(71) Applicant: **LG ELECTRONICS INC., Seoul (KR)**

U.S. PATENT DOCUMENTS

(72) Inventor: **Mijoo Shin, Seoul (KR)**

D315,598 S *	3/1991	Yamamoto .....	D23/378
D398,044 S *	9/1998	Gutmann .....	D23/364
D509,897 S *	9/2005	Lau .....	D23/378
D513,071 S *	12/2005	Lee .....	D23/378
D519,201 S *	4/2006	Lee .....	D23/378
D522,124 S *	5/2006	Bucher .....	D23/378
D539,410 S *	3/2007	Fok .....	D23/378
D546,932 S *	7/2007	Bucher .....	D23/378
D548,828 S *	8/2007	Wang .....	D23/378
D603,036 S *	10/2009	Boswell .....	D23/378
D639,919 S *	6/2011	Yu .....	D23/314
D648,429 S *	11/2011	Choi .....	D23/364
D685,078 S *	6/2013	Sidell .....	D23/378
D699,336 S *	2/2014	Girard .....	D23/370
D714,923 S *	10/2014	Engelhard .....	D23/364
D804,002 S *	11/2017	Huang .....	D23/364

(73) Assignee: **LG Electronics Inc., Seoul (KR)**

(\*\*) Term: **15 Years**

(21) Appl. No.: **35/502,086**

(22) Filed: **Jun. 10, 2016**

(80) **Hague Agreement Data**

Int. Filing Date: **Jun. 10, 2016**

Int. Reg. No.: **DM/091312**

Int. Reg. Date: **Jun. 10, 2016**

Int. Reg. Pub. Date: **Dec. 16, 2016**

(30) **Foreign Application Priority Data**

Dec. 14, 2015 (KR) ..... 30-2015-0063701

(51) **LOC (11) Cl.** ..... **23-04**

(52) **U.S. Cl.**  
USPC ..... **D23/364**

(58) **Field of Classification Search**

USPC ..... D23/355, 356, 359, 364, 370, 386

CPC ..... A61L 9/00; A61L 9/02; A61L 9/03; A61L

9/034; A61L 9/04; A61L 9/12; A61L

9/032; A61L 9/122; A61L 9/127; A61L

9/22; B01D 46/00; B01D 46/0002; B01D

46/20; F02M 35/04; F24F 13/20; A62B

21/00

See application file for complete search history.

\* cited by examiner

*Primary Examiner* — Keli L Hill

(74) *Attorney, Agent, or Firm* — Birch, Stewart, Kolasch & Birch, LLP

(57) **CLAIM**

The ornamental design for an air purifier, as shown and described.

**DESCRIPTION**

1. Air purifier

1.1 is a front, right perspective view.

1.2 is a front elevation view.

1.3 is a rear elevation view.

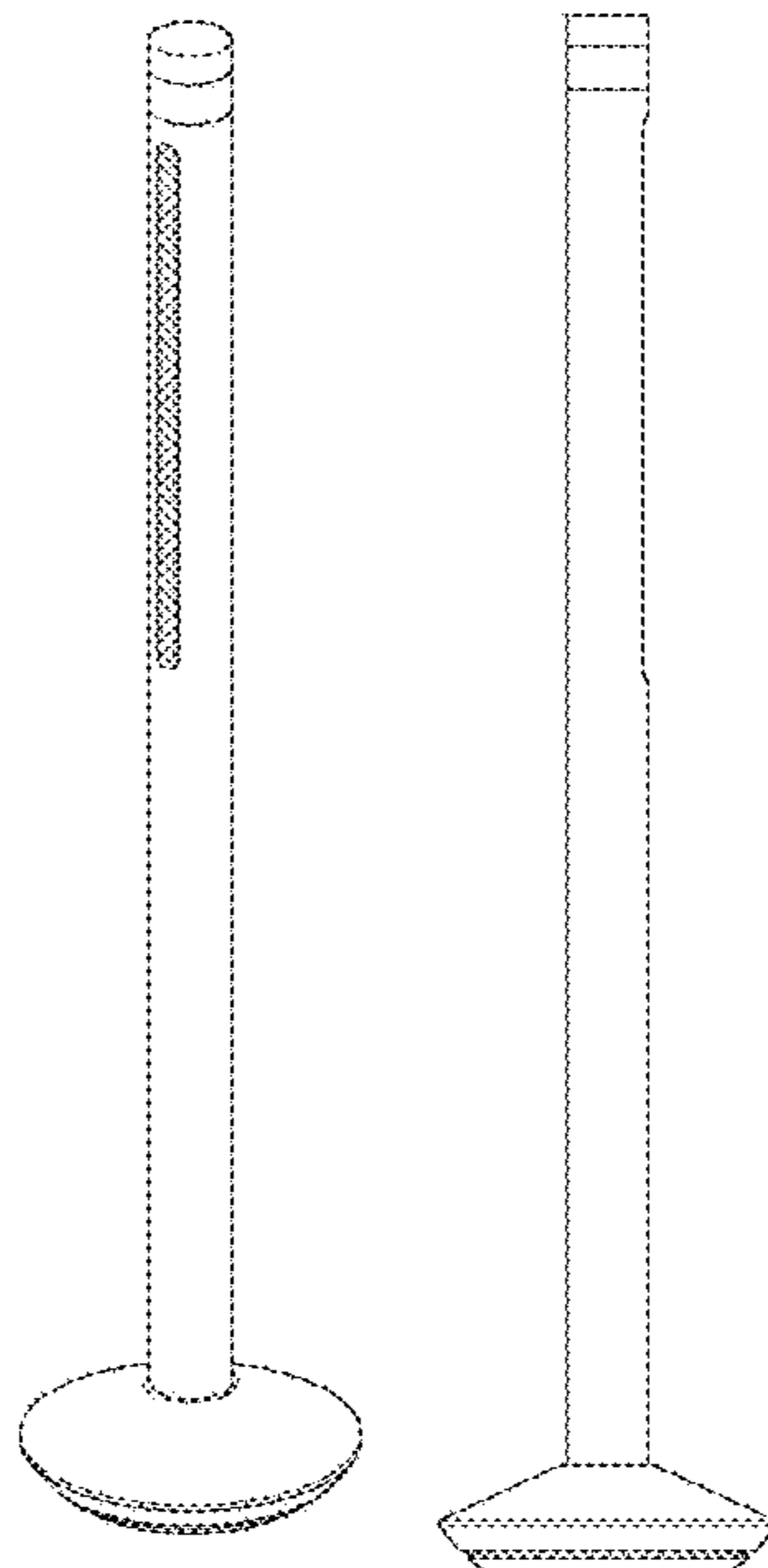
1.4 is a left side elevation view.

1.5 is a right side elevation view.

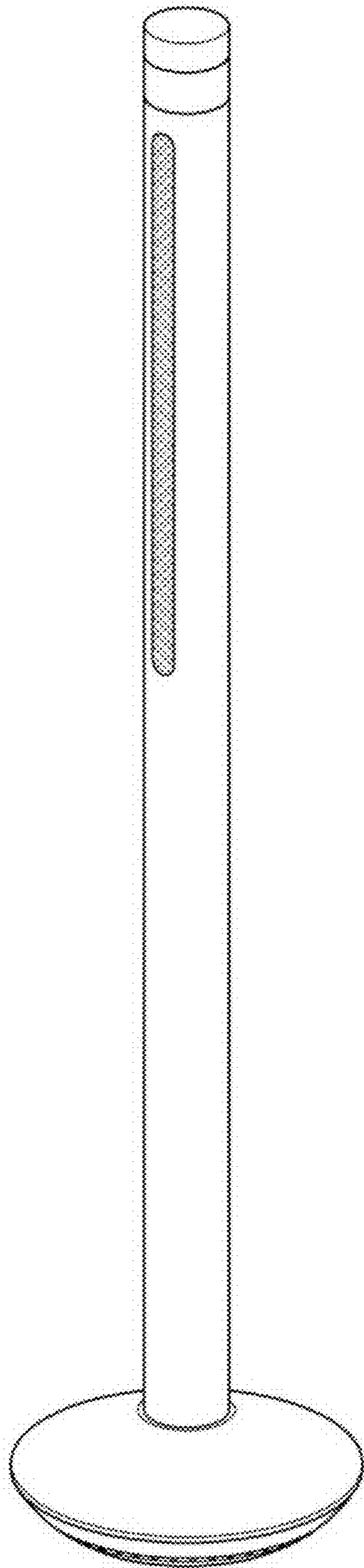
1.6 is a top plan view.

1.7 is a bottom plan view.

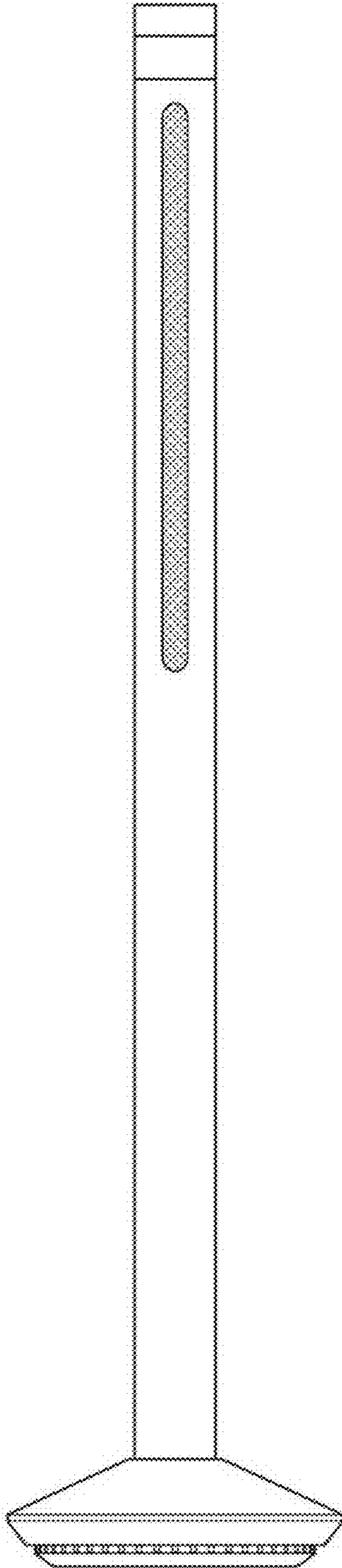
**1 Claim, 7 Drawing Sheets**



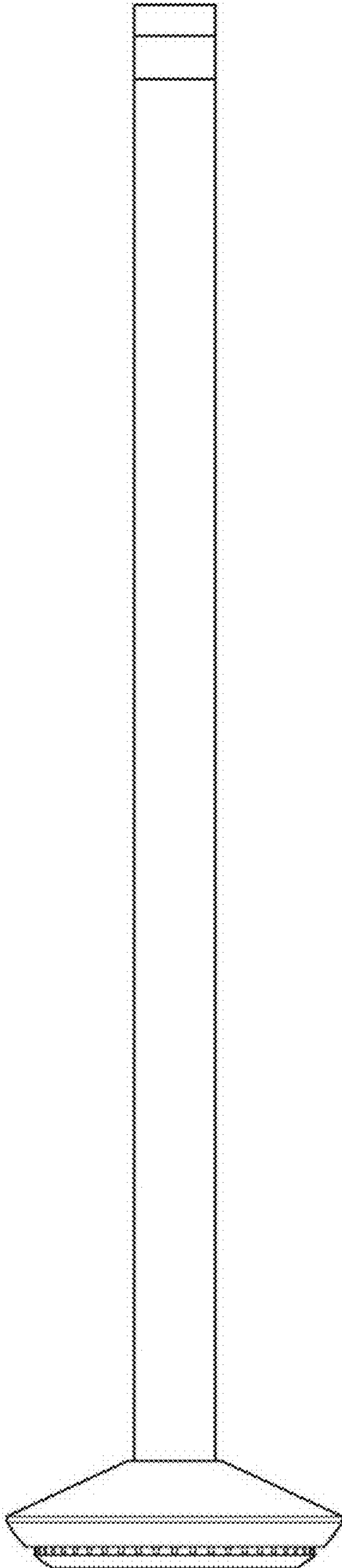
1.1



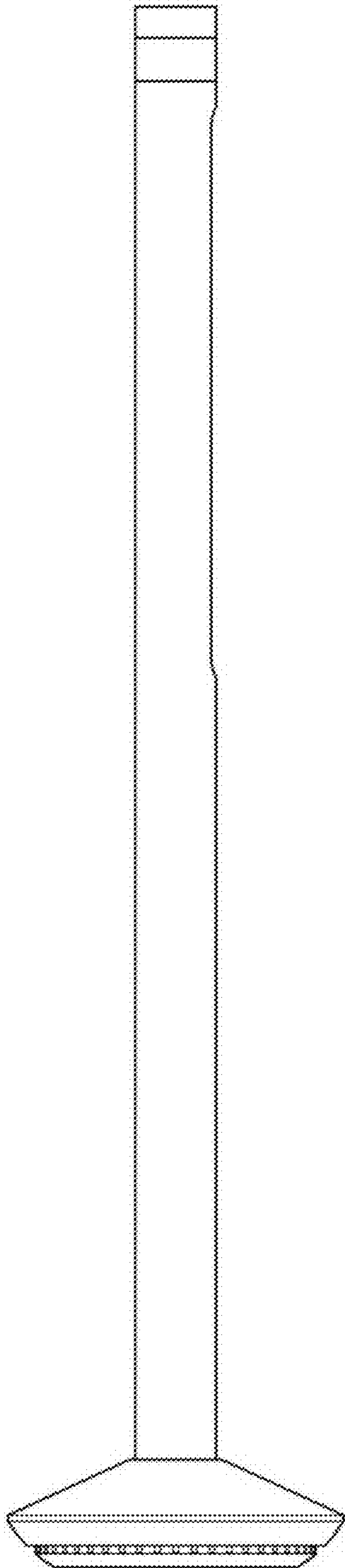
1.2



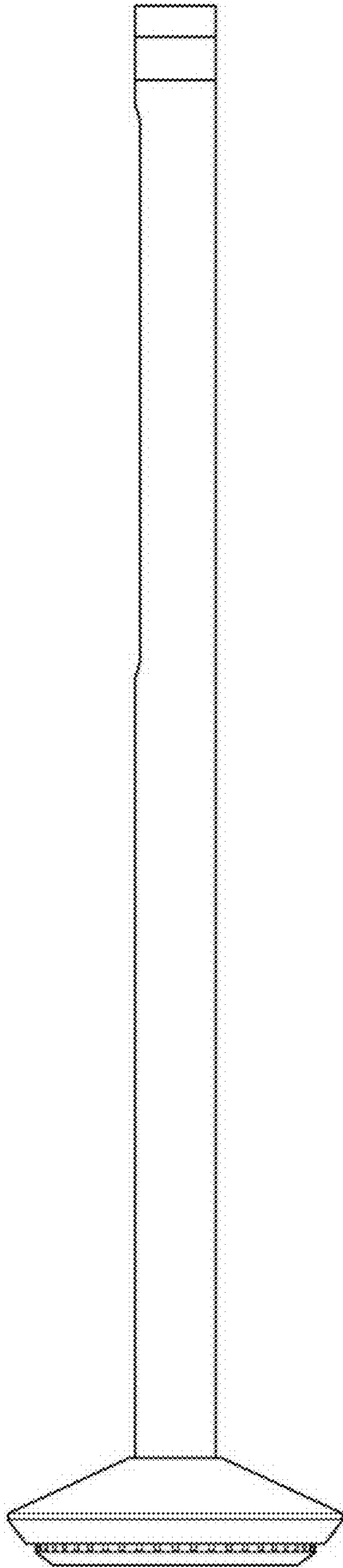
1.3



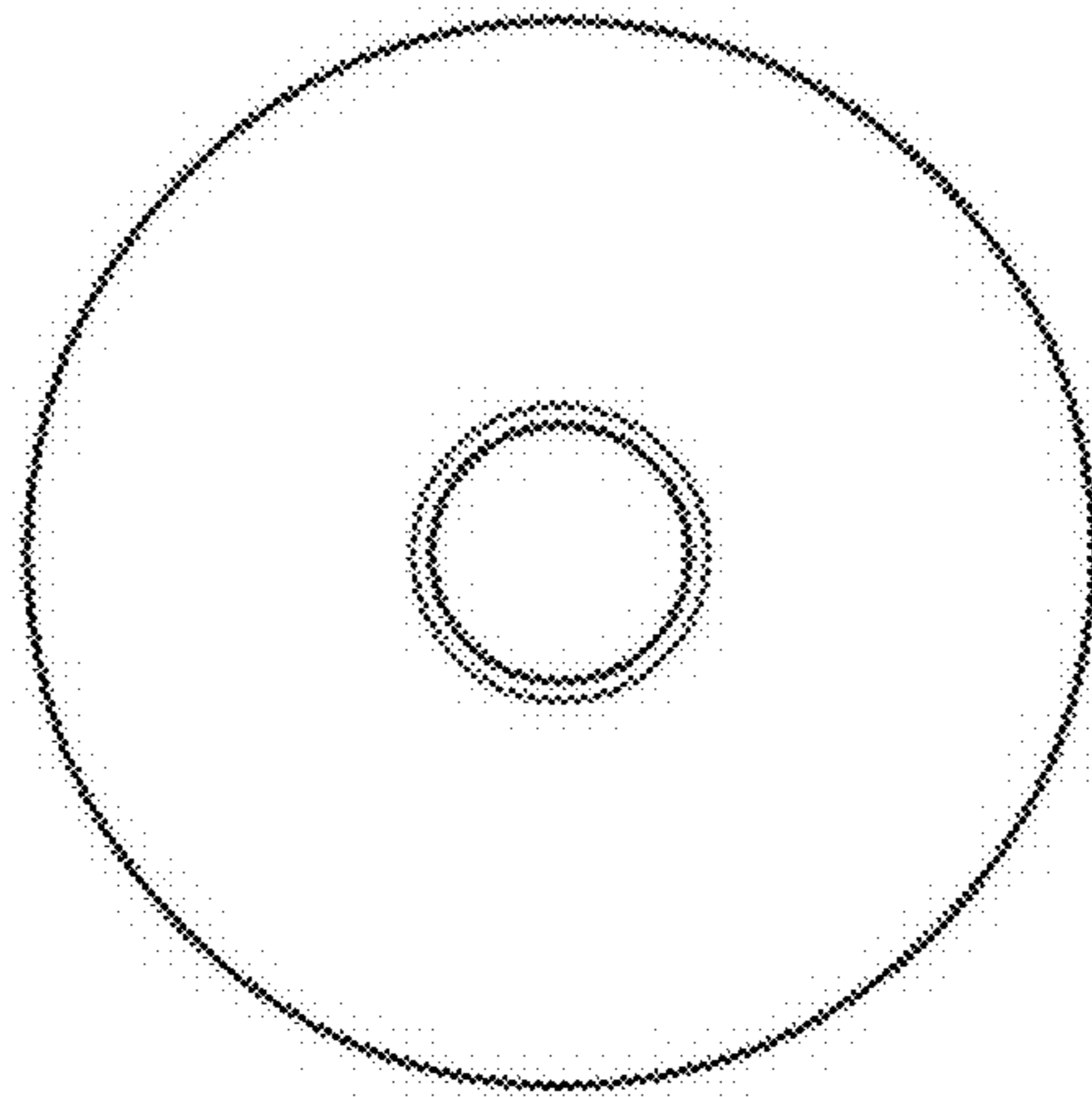
1.4



1.5



**1.6**



**1.7**

