



US00D817466S

(12) **United States Design Patent** (10) **Patent No.:** **US D817,466 S**
Moseley (45) **Date of Patent:** **** May 8, 2018**

(54) **AIR SHROUD ASSEMBLY**
(71) Applicant: **DOMETIC SWEDEN AB**, Solna (SE)
(72) Inventor: **Andrew Moseley**, Herborn (DE)
(73) Assignee: **Dometic Sweden AB**, Solna (SE)
(**) Term: **15 Years**

4,608,834 A 9/1986 Rummer
4,637,299 A 1/1987 Harding
4,641,502 A 2/1987 Aldrich et al.
4,665,804 A 5/1987 Muyasaka
4,672,818 A 6/1987 Roth
4,690,040 A 9/1987 Barnett
(Continued)

(21) Appl. No.: **29/552,019**
(22) Filed: **Jan. 19, 2016**

FOREIGN PATENT DOCUMENTS

AU 3067405 3/2016
AU 201612249 5/2016
(Continued)

(51) **LOC (11) Cl.** **12-16**
(52) **U.S. Cl.**
USPC **D23/325**
(58) **Field of Classification Search**
USPC D23/325, 342, 314, 318, 324; D6/432,
D6/472; D10/49, 50
CPC B60H 1/3232; B60H 1/262; B60H 1/246;
B60H 1/26; B60H 1/00364; B60H
1/00535; B60P 3/20; F25D 23/00
See application file for complete search history.

OTHER PUBLICATIONS

Dometic Group: "Climate Control", <http://www.dometic.com/enus/Americas/USA/RV-Products/climate>, 2 pages Dec. 14, 2011.
(Continued)

Primary Examiner — T. Chase Nelson
Assistant Examiner — Ania Aman
(74) *Attorney, Agent, or Firm* — Middleton Reutlinger

(56) **References Cited**

(57) **CLAIM**

U.S. PATENT DOCUMENTS

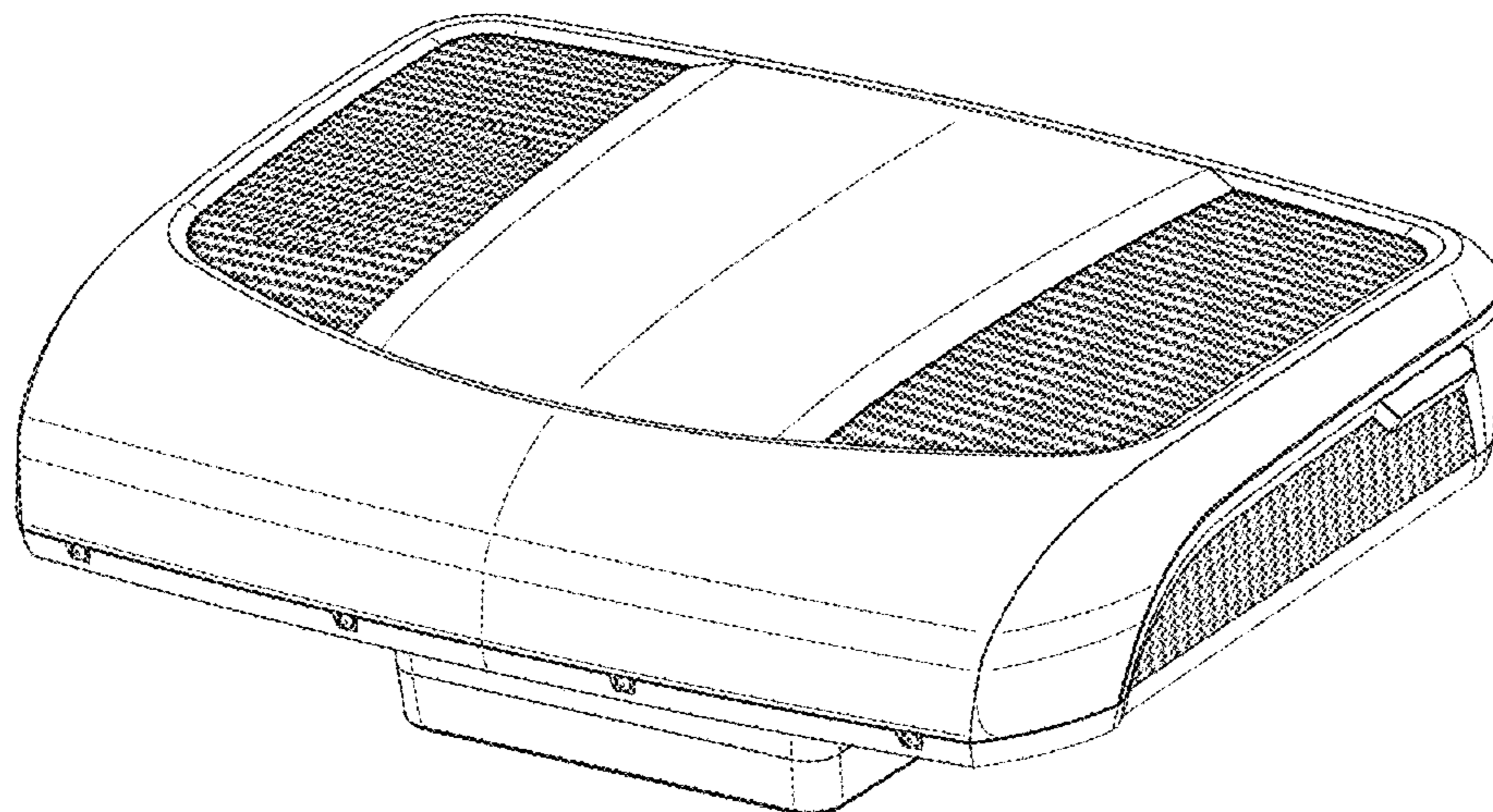
The ornamental design for an air shroud assembly, as shown and described.

964,146 A 7/1910 Clark
RE24,637 E 4/1959 Wulle
3,092,009 A 6/1963 Goettl
3,115,082 A 12/1963 Sanoff
3,528,359 A 9/1970 Sand
3,680,468 A 8/1972 Schueler
D226,381 S 2/1973 Harty
3,727,537 A 4/1973 Harty
3,867,486 A 2/1975 Nagele
3,974,755 A 8/1976 Honmann
4,189,987 A 2/1980 Amberg et al.
D257,637 S * 12/1980 Armbruster D23/325
4,502,368 A 3/1985 Hempel
4,502,467 A 3/1985 Smith
4,550,648 A 11/1985 Eagle
D284,025 S 5/1986 Armstrong

DESCRIPTION

FIG. 1 is a front perspective view of an air shroud assembly showing my new design;
FIG. 2 is a front elevation view of the design of FIG. 1;
FIG. 3 is a rear elevation view of the design of FIG. 1;
FIG. 4 is a first side elevation view of the design of FIG. 1;
FIG. 5 is a second side elevation view of the design of FIG. 1;
FIG. 6 is a top plan view of the design of FIG. 1; and,
FIG. 7 is a bottom plan view of the design of FIG. 1.

1 Claim, 7 Drawing Sheets



(56)

References Cited

U.S. PATENT DOCUMENTS

2015/0352924	A1	12/2015	Allard
2016/0076271	A1	3/2016	Reinking
2016/0207372	A1	7/2016	Parry

FOREIGN PATENT DOCUMENTS

AU	201613590	7/2016
AU	201613591	7/2016
AU	201613592	7/2016
AU	201613593	7/2016
AU	201712794	5/2017
AU	201712798	5/2017
CA	1011592	6/1977
CA	167431	3/2016
CA	172872	3/2016
CA	172873	3/2016
CA	172874	3/2016
CA	165232	5/2016
CA	165233	5/2016
CN	201630322524.2	4/2017
EM	003323740	7/2016
EM	003421643	10/2016
EM	003479179	11/2016
EP	0180053	10/1985
EP	0064769	8/1986
EP	1681517	7/2006
EP	1832452	9/2007
FR	2087220	12/1971
GB	2297157	7/1996
JP	52137854	11/1977
JP	2004125338	4/2004
KR	2005119747	A 12/2005
WO	2004099681	11/2004
WO	2014143181	9/2014
WO	15134185	9/2015

OTHER PUBLICATIONS

American RV Company, Dometic 459530 Duo Therm 13,500 BTU Brisk Air Conditioner High Efficiency Upper Unit Trailer Camper RV, American RV Company, Dometic 459530 Duo Therm 13,500 BTU Brisk Air Conditioner High Efficiency Upper Unit Trailer Camper RV Mar. 23, 2014.

American RV Company, Dometic 541815 High Performance 13,500 BTU Air Conditioner Upper Unit CCC2 Required Electronics Pre-Installed Camper Trailer RV, <http://www.americanrvcompany.com/Dometic-541815-High-Performance-13500-BTU-Air-Conditioner-Upper-Unit-CCC2-Required-Electronics-Pre-Installed-Camper-Trailer-RV> Mar. 23, 2014.

American RV Company, Dometic 541816 High Performance 15,000 BTU Air Conditioner Upper Unit CCC2 Required Electronics Pre-Installed Camper Trailer RV, <http://www.americanrvcompany.com/Dometic-541816-High-Performance-15000-BTU-Air-Conditioner-Upper-Unit-CCC2-Required-Electronics-Pre-Installed-Camper-Trailer-RV> Mar. 23, 2014.

American RV Company, Dometic 541916 High Performance 15,000 BTU Air Conditioner Upper Unit Single Zone LCD Thermostat Required Electronics Pre-Installed Camper Trailer RV, <http://www.americanrvcompany.com/Dometic-541916-High-Perfor->

mance-15000-BTU-Air-Conditioner-Upper-Unit-Single-Zone-LCD-Thermostat-Required-Electronics-Pre-Installed-Camper-Trailer-RV Mar. 23, 2014.

American RV Company, Dometic 551816 High Performance 15,000 BTU Heat Pump for Comfort Control Center II camper Trailer RV, <http://www.americanrvcompany.com/Dometic-551816-High-Performance-15000-BTU-Heat-Pump-for-Comfort-Control-Center-II-Camper-Trailer-RV> Mar. 23, 2014.

Dometic Corporation, Dometic High Performance Air Conditioners, 2 pages, Jan. 1, 2011.

Webasto: Rooftop air conditing systems: Rooftop 3.5-9.9 kw; <http://www.eberspacher.com/products/air-conditioning/cooltronic-truck-parking-coolers.html> May 14, 2014.

Eberspacher Cooltronic Parking Coolers with High Efficiency with the Engine Off; <http://www.eberspacher.com/products/air-conditioning/cooltronic-truck-parking-coolers.html> Jun. 23, 2015.

Indelb; WO Oblo'; Sleeping Well Oblo; http://www.indelb.com/products/parking_air_cooler/sleeping_well/sw_oblo Apr. 1, 2016.

Dirna Bergstrom: Slim Cool; <http://www.dima.com/files/dirna-manuals/220RE00183.pdf> May 21, 2014.

Webasto; Truck parking cooler: Cool Top Vario 10 E; <http://www.webasto.com/gb/markets-products/truck/air-conditioning/products/cool-top-vario/> Apr. 25, 2016.

Dometic Waeco Coolair RT 880; <http://www.dometic.co.uk/product/waeco-coolair-rt-880-2/> May 14, 2015.

Transmittal Letter of Related Cases.

10-Minute Tech, Trailer Life, Jul. 1996, pp. 69-70 dated Jul. 1, 1996.

Australian Patent Application 2017220186 entitled "Parking Cooler" filed Jan. 11, 2017.

European Patent Application 17152275.8 entitled "Parking Cooler" filed Jan. 19, 2017.

Canadian Patent Application 2,906,348 entitled "Modular Air Grill Assembly" as filed Sep. 14, 2016 (national stage entry date).

Canadian Intellectual Property Office, Office Action for App. No. 167431 dated Oct. 8, 2016.

Dirna Bergstrom: Parking Coolers—No-Idle Electrical A/C—MiniCool Compact 1.4; <http://www.dirna.com/parking-coolers-no-idle-electrical-ac-compact/> Mar. 17, 2015.

Dometic Duo-Therm, p. 140.

European Design Patent Application No. 003300219 entitled "Air Shroud Assembly" filed Jul. 8, 2016.

International Search Report and Written Opinion for PCT/US2013/065458 dated Jan. 29, 2014.

Design U.S. Appl. No. 29/542,555 entitled "Modular Air Grill Design" filed Oct. 15, 2015.

Design U.S. Appl. No. 29/581,176 entitled "Air-Conditioning Unit" dated Oct. 17, 2016.

Design U.S. Appl. No. 29/573,473 entitled "Recreational Vehicle Air-Conditioning Unit" filed Aug. 5, 2016.

Design U.S. Appl. No. 29/594,476 entitled "Shroud Assembly" filed Feb. 17, 2017.

Design U.S. Appl. No. 29/604,433 entitled "Air Conditioning Apparatus" filed May 17, 2017.

Utility U.S. Appl. No. 15/407,709 entitled "Parking Cooler" filed Jan. 17, 2017.

Youtube; Viesa Kompressor; <https://www.youtube.com/watch?v=SPK17XEVL0> May 22, 2012 (https://www.google.com/?gws_rd=ssl#q=https://www.youtube.com/watch?v%3DSPK17XEVL0&spf=1495819902591).

Chinese Patent Application 201710040123.1 entitled "Parking Cooler" filed Jan. 18, 2017.

* cited by examiner

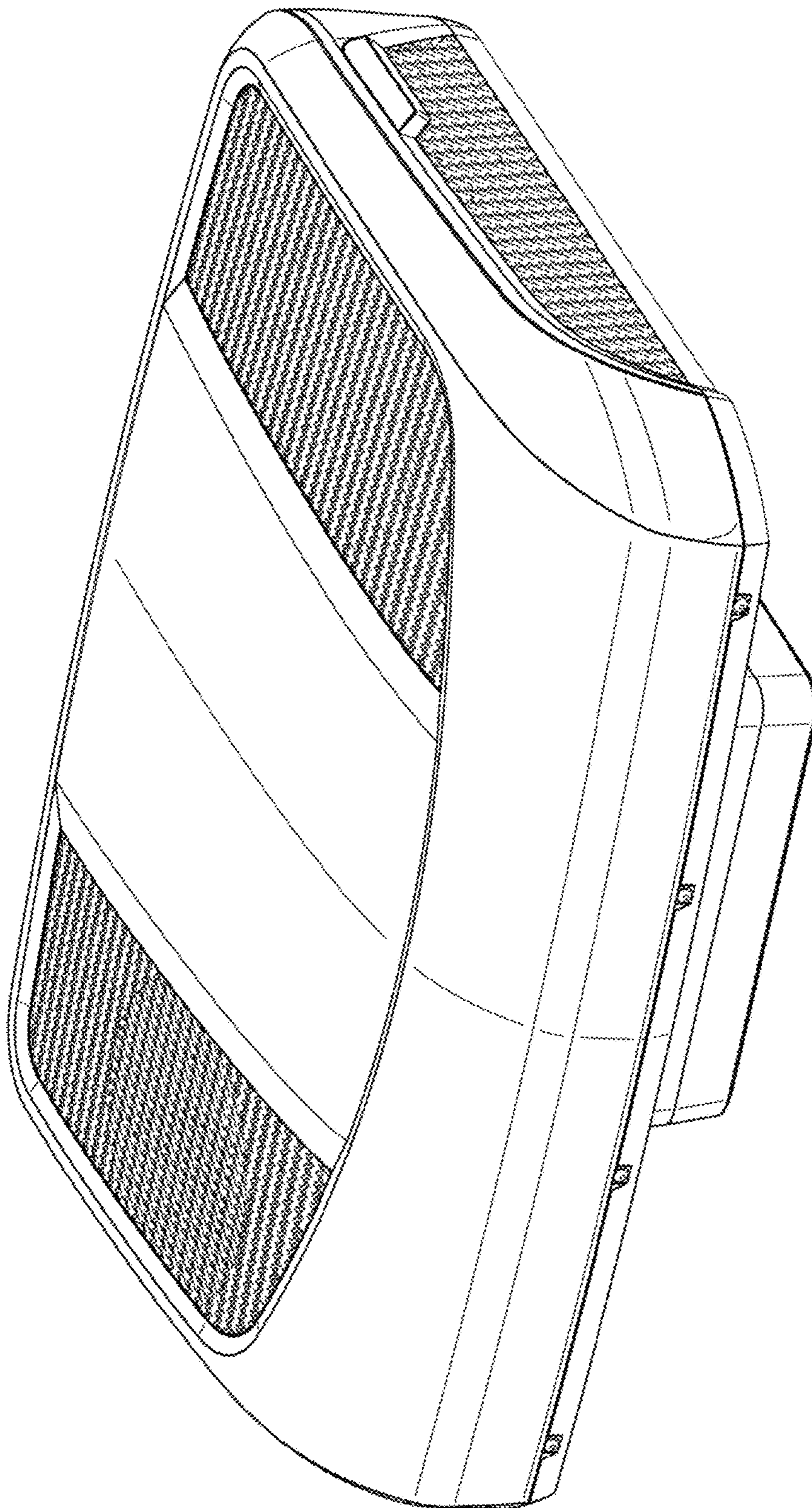


FIG. 1

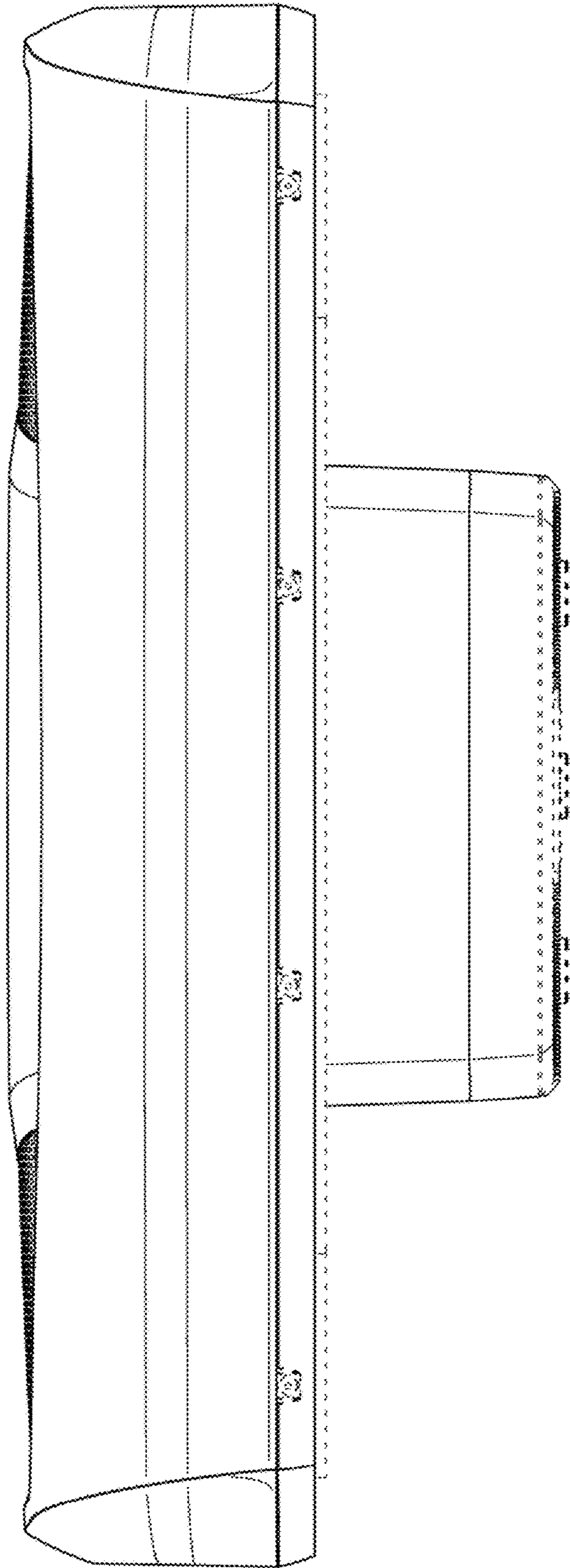


FIG. 2

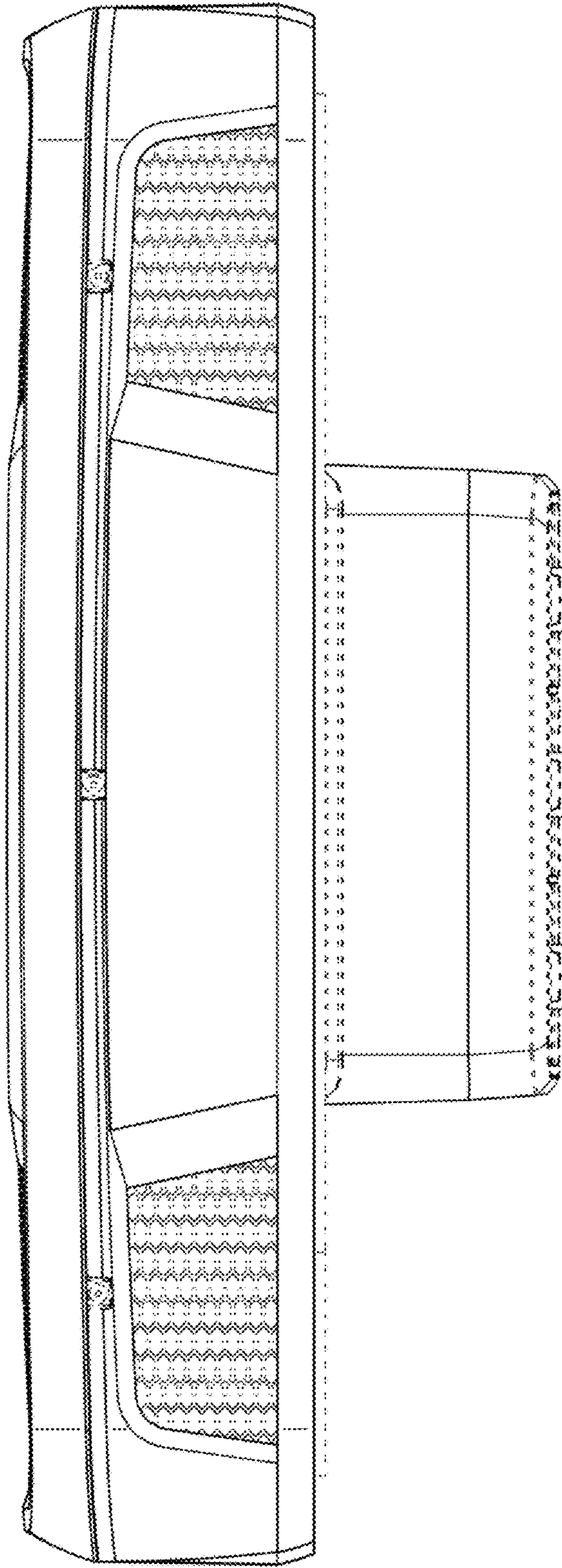


FIG. 3

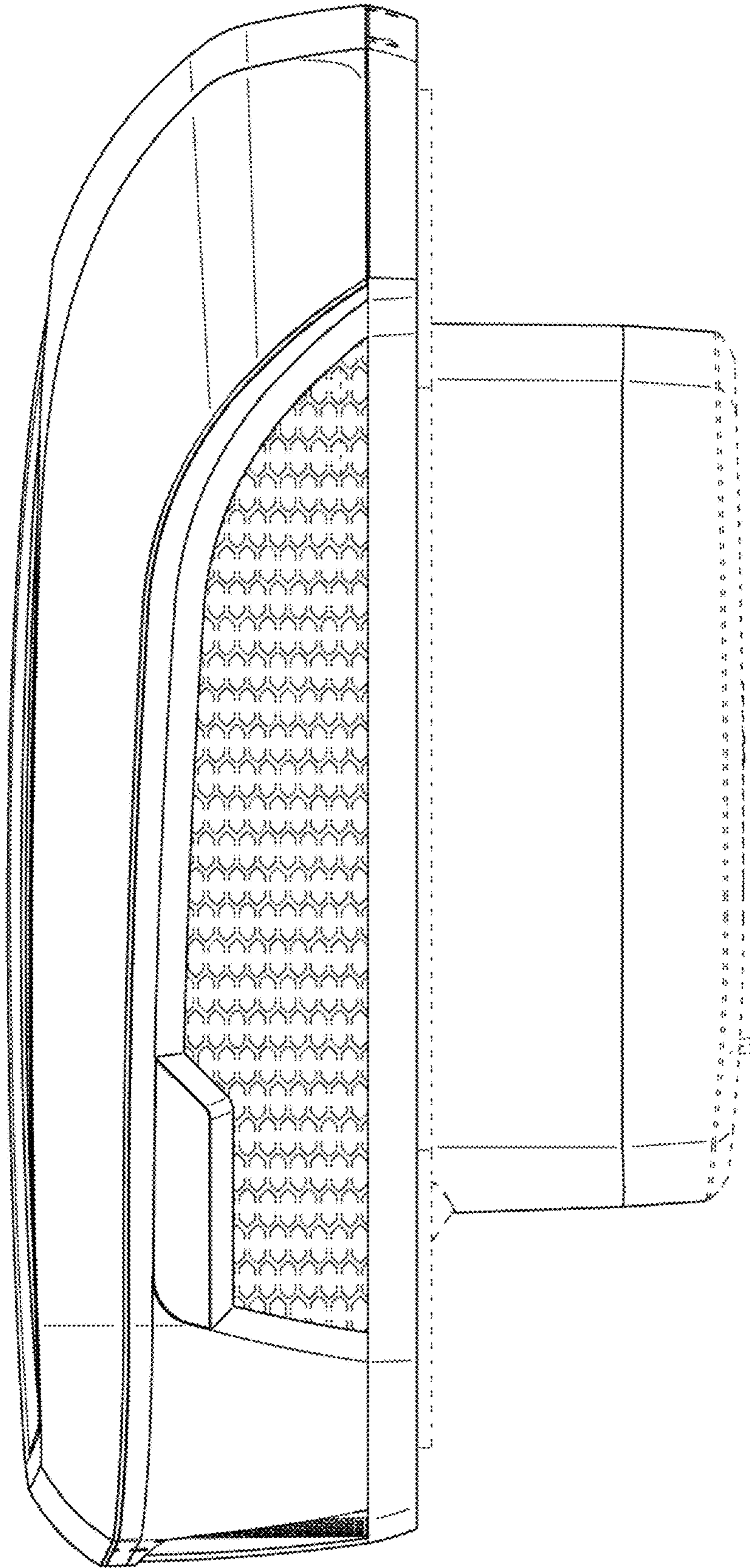


FIG. 4

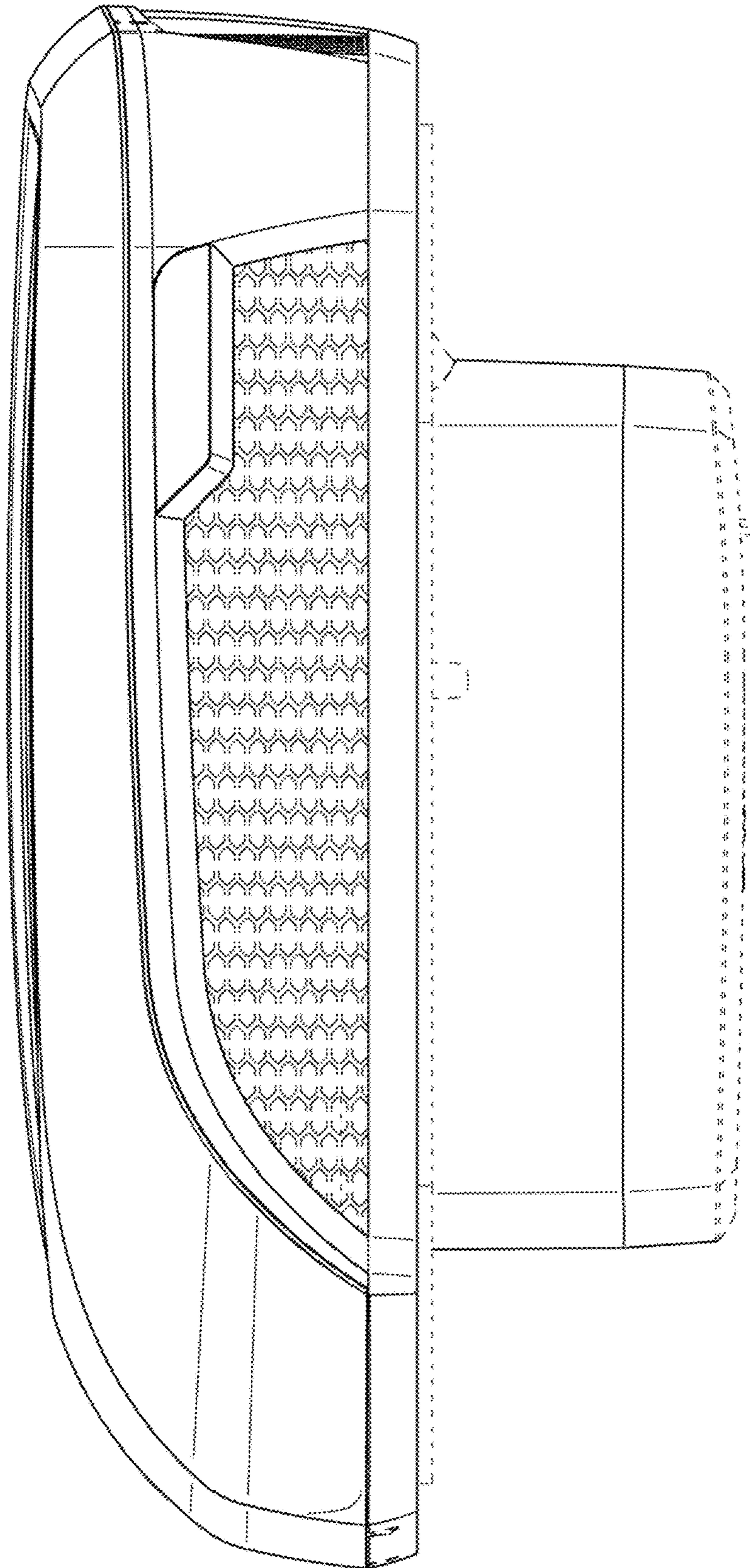


FIG. 5

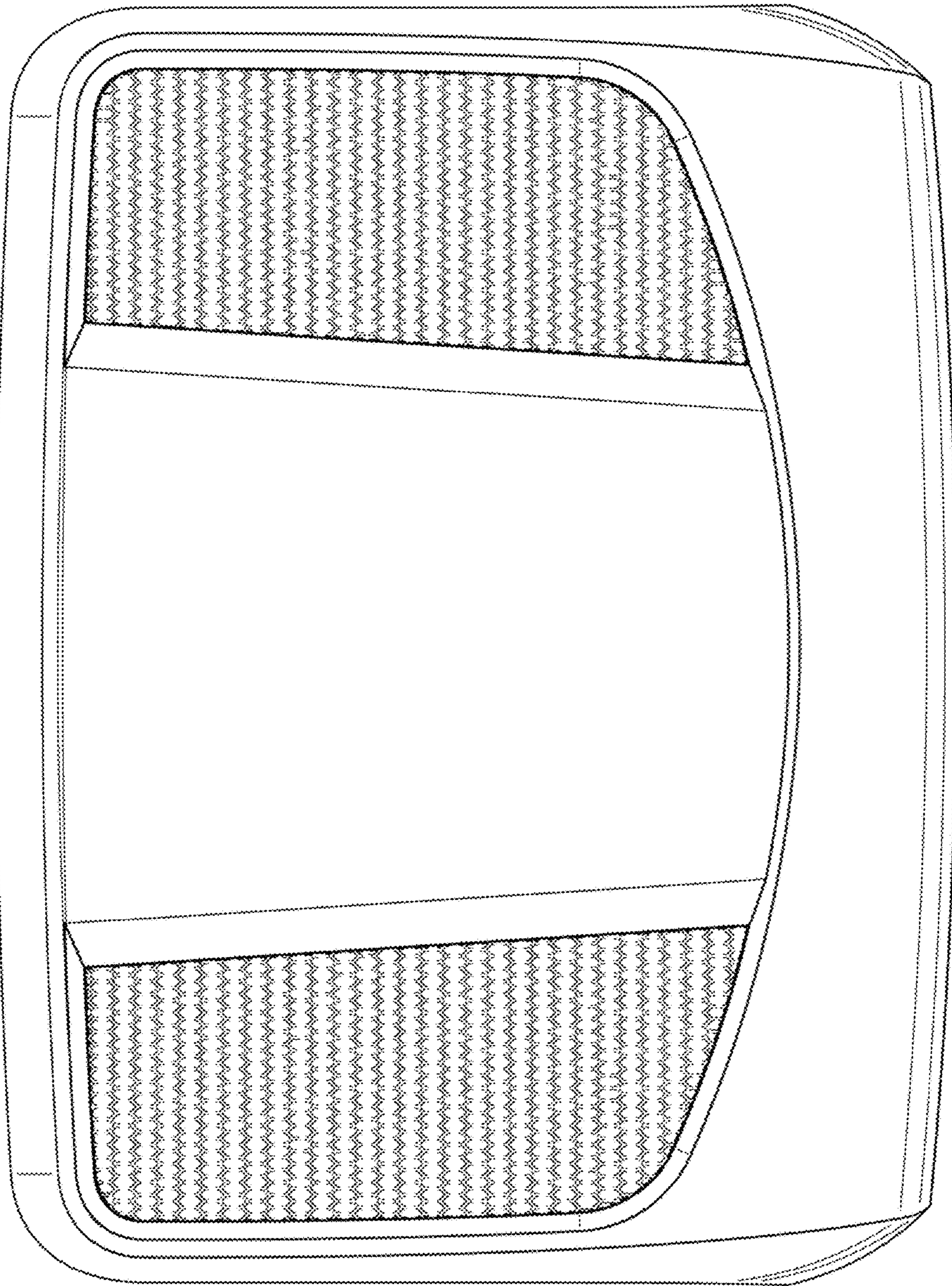


FIG. 6

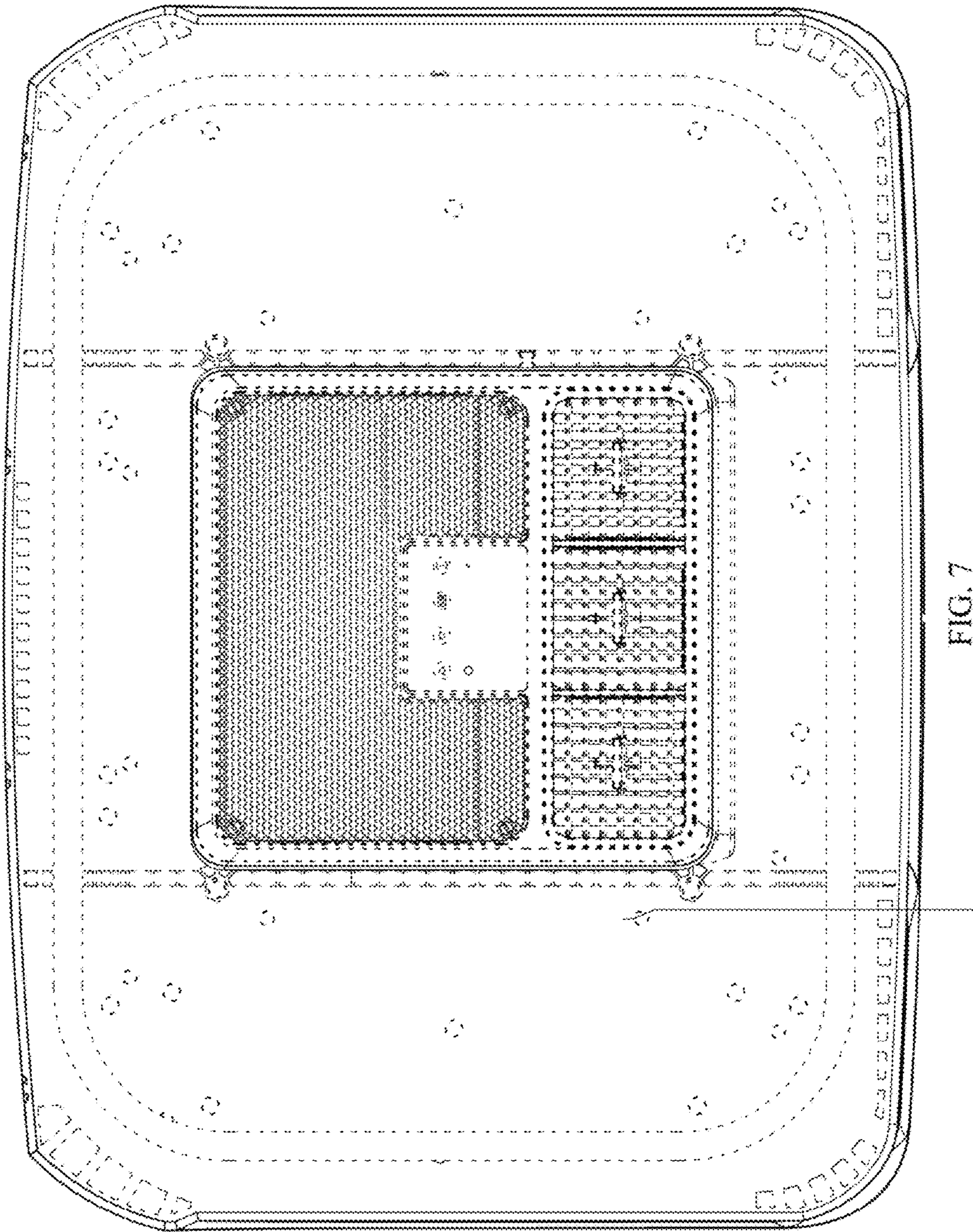


FIG. 7