



US00D817465S

(12) **United States Design Patent**
Schoenherr et al.

(10) **Patent No.:** **US D817,465 S**

(45) **Date of Patent:** **** May 8, 2018**

(54) **SHOWER SET**

(71) Applicant: **Hansgrohe SE**, Schiltach (DE)

(72) Inventors: **Tom Schoenherr**, Stuttgart (DE);
Matthias Oesterle, Winterbach (DE);
Marco Flaig, Stuttgart (DE)

(73) Assignee: **Hansgrohe SE**, Schiltach (DE)

(**) Term: **15 Years**

(21) Appl. No.: **29/609,874**

(22) Filed: **Jul. 6, 2017**

(30) **Foreign Application Priority Data**

Jan. 13, 2017 (EM) 003622000-0012

(51) **LOC (11) Cl.** **23-02**

(52) **U.S. Cl.**
USPC **D23/304**

(58) **Field of Classification Search**
USPC D23/228, 303-305, 283, 249-250, 252,
D23/254
See application file for complete search history.

(56) **References Cited**

U.S. PATENT DOCUMENTS

3,806,963 A * 4/1974 Flynn E03C 1/06
4/615
6,802,089 B2 * 10/2004 Cropelli E03C 1/066
248/297.31

7,093,309 B2 * 8/2006 Kollmann E03C 1/06
4/570
D606,627 S * 12/2009 Urquiola D23/228
D751,177 S * 3/2016 Ryu D23/228
9,677,257 B2 * 6/2017 Andersen E03C 1/066

FOREIGN PATENT DOCUMENTS

EM 000680046-0019 3/2007
EM 000725841-0005 5/2007
EM 001344378-0011 9/2012
EM 003537588-0013 12/2016

* cited by examiner

Primary Examiner — Robert A Delehanty

(74) *Attorney, Agent, or Firm* — Lora J. Graentzdoerffer

(57) **CLAIM**

The ornamental design for a shower set, as shown and described.

DESCRIPTION

FIG. 1 is a perspective view;
FIG. 2 is a front elevation view;
FIG. 3 is a rear elevation view;
FIG. 4 is a right side elevation view;
FIG. 5 is a left side elevation view;
FIG. 6 is a top plan view; and,
FIG. 7 is a bottom plan view.

The broken lines indicate portions of the shower set that form no part of the claimed design.

1 Claim, 7 Drawing Sheets

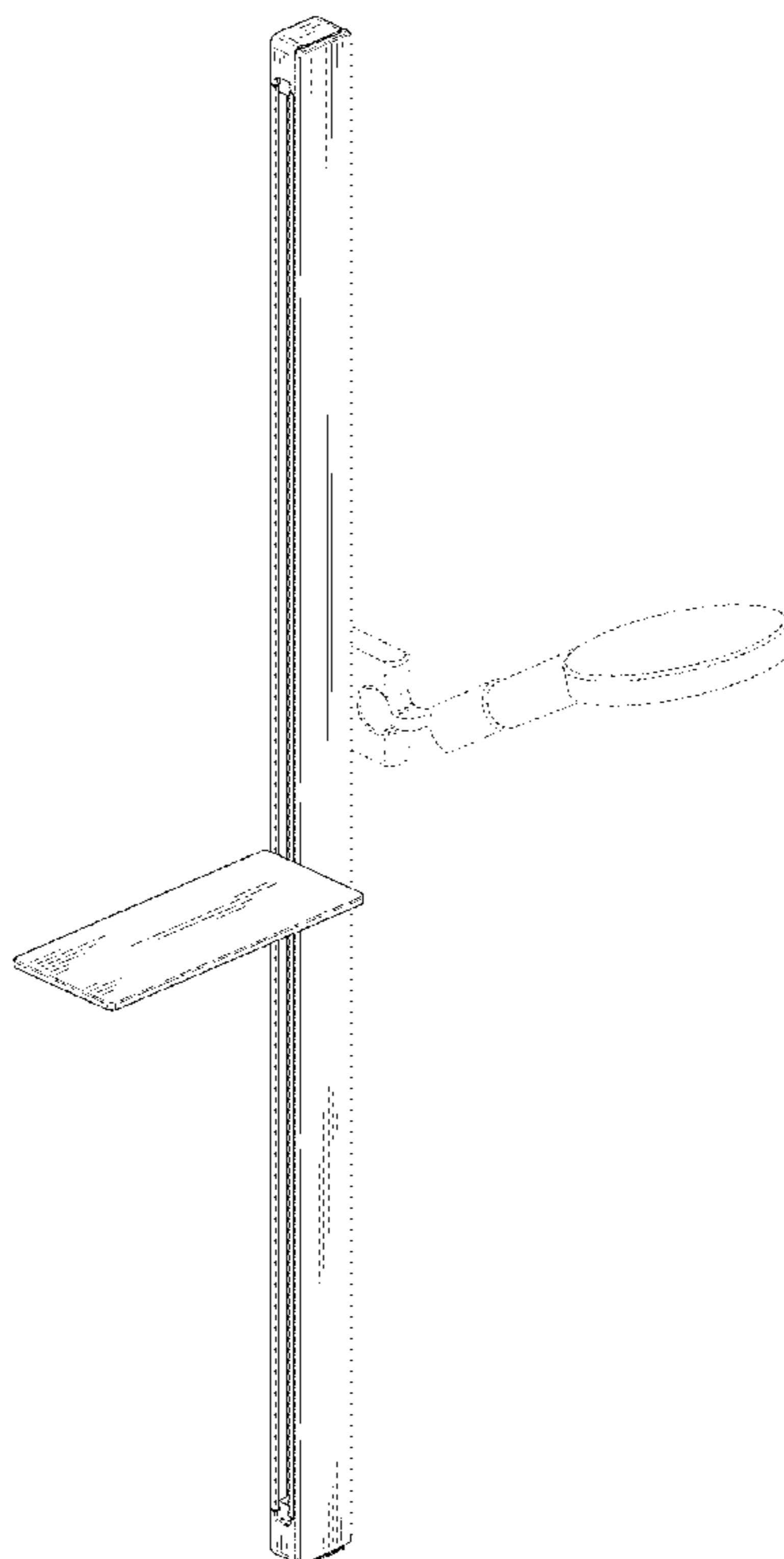


FIG. 1

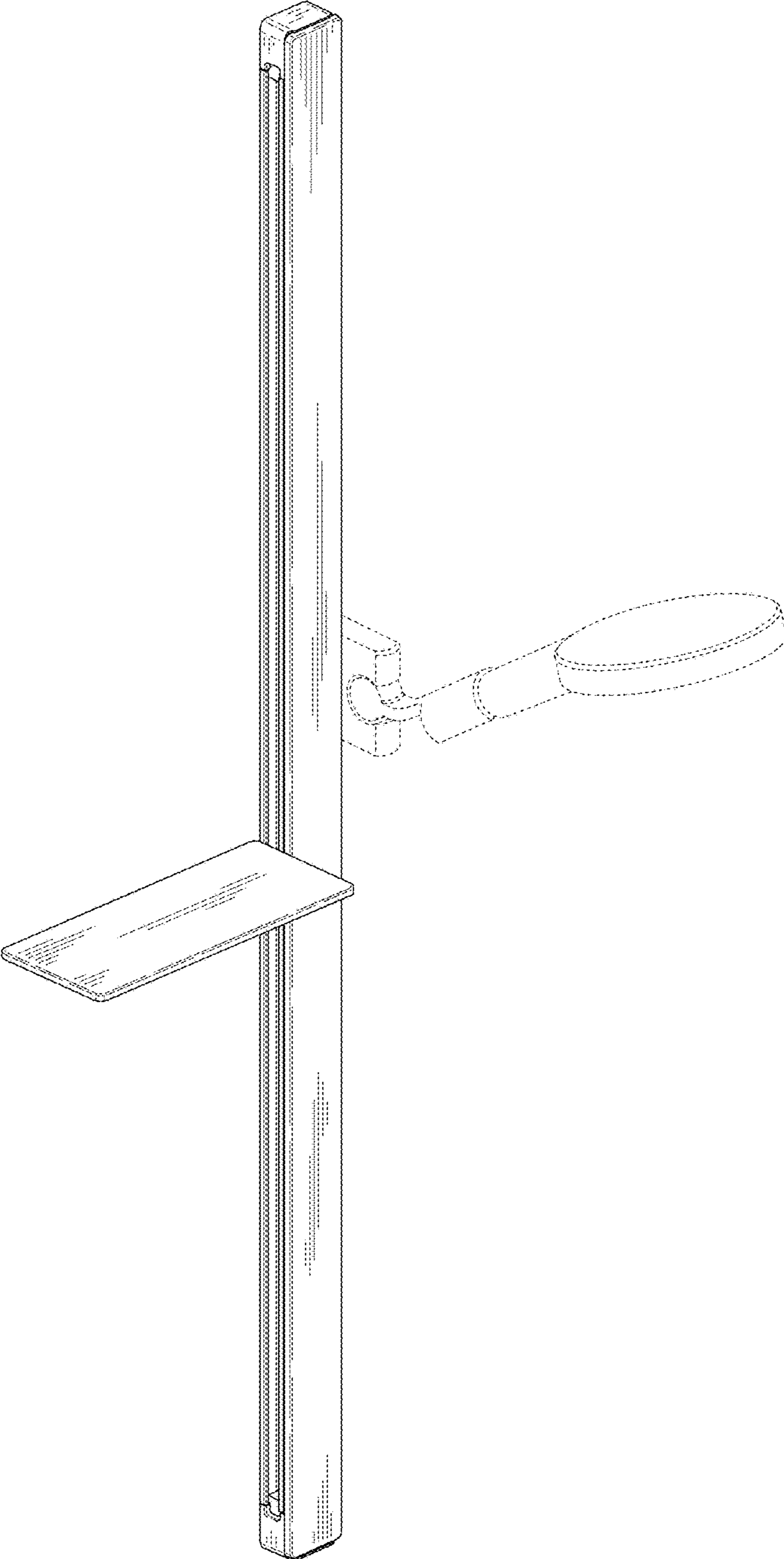


FIG. 2

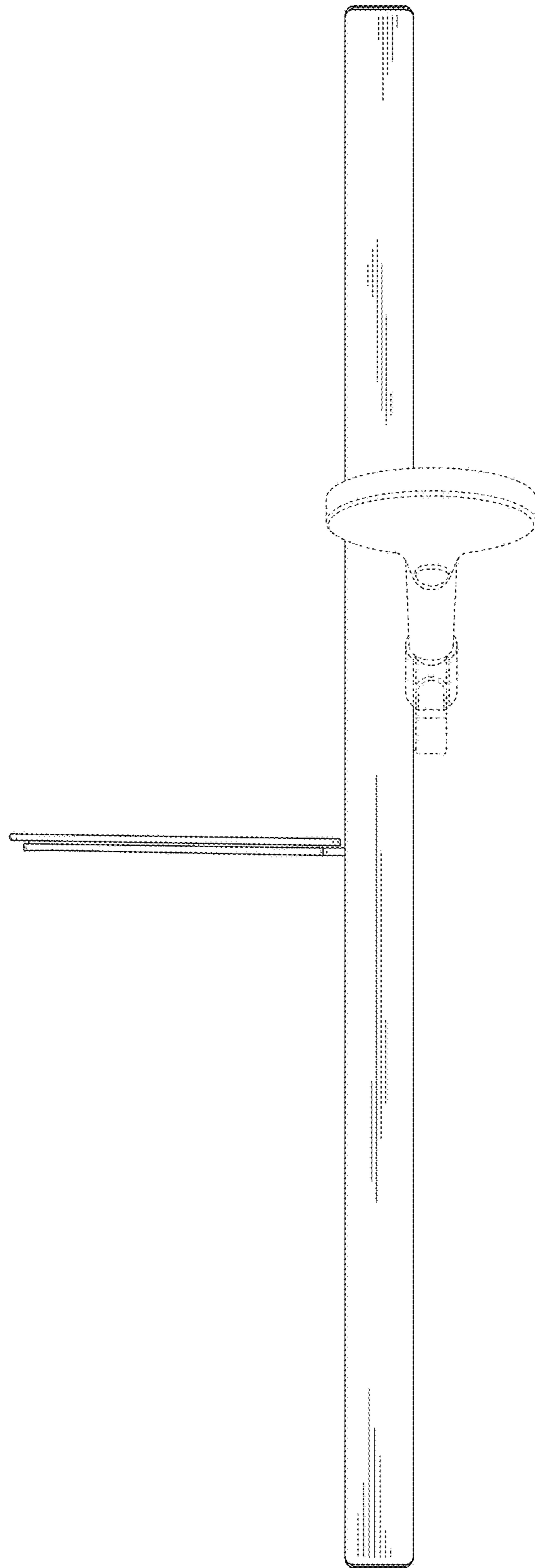


FIG. 3

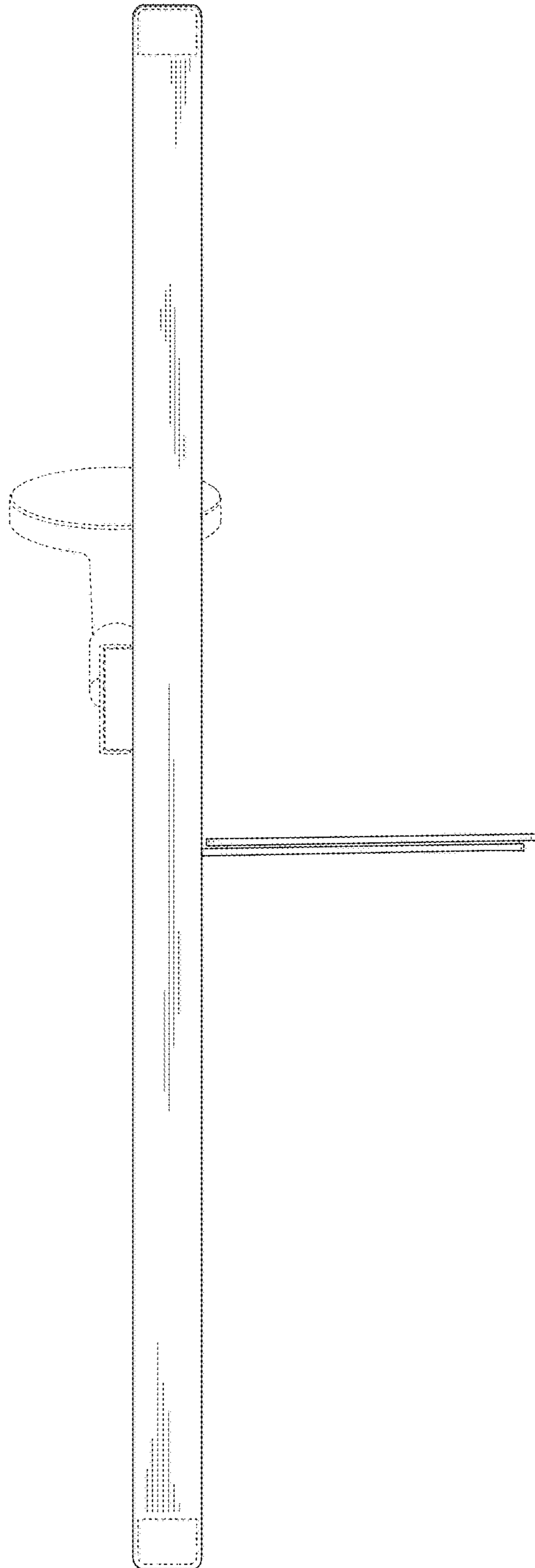


FIG. 4

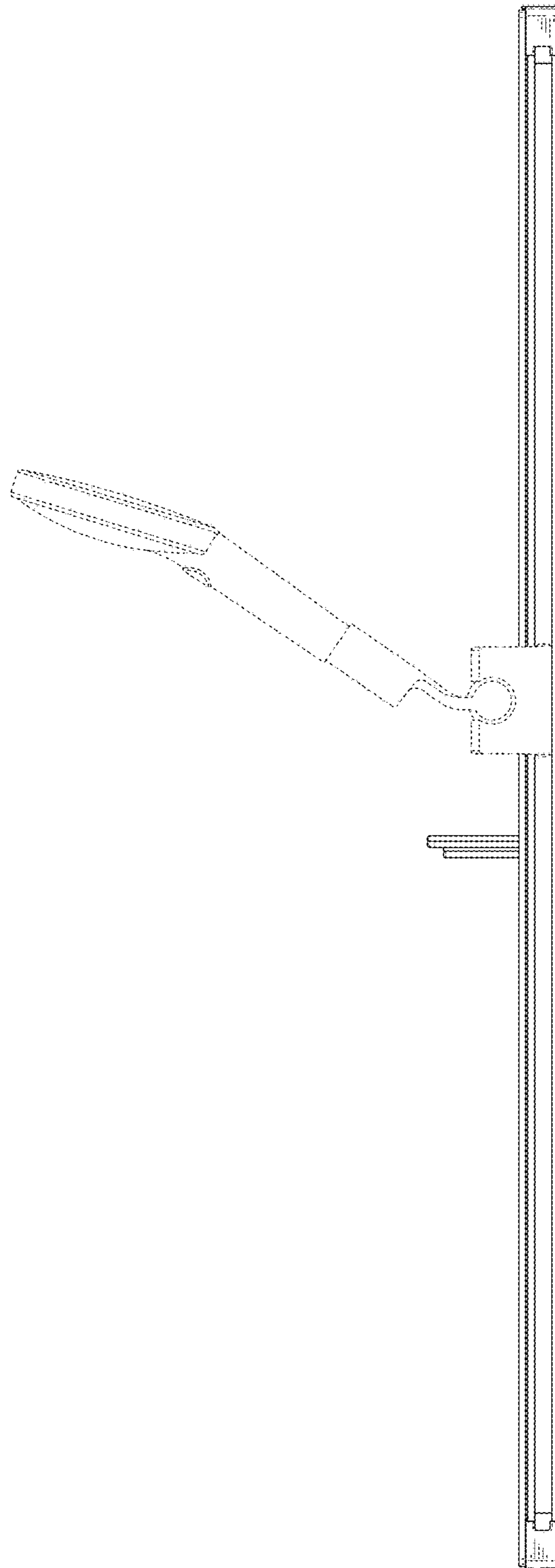


FIG. 5

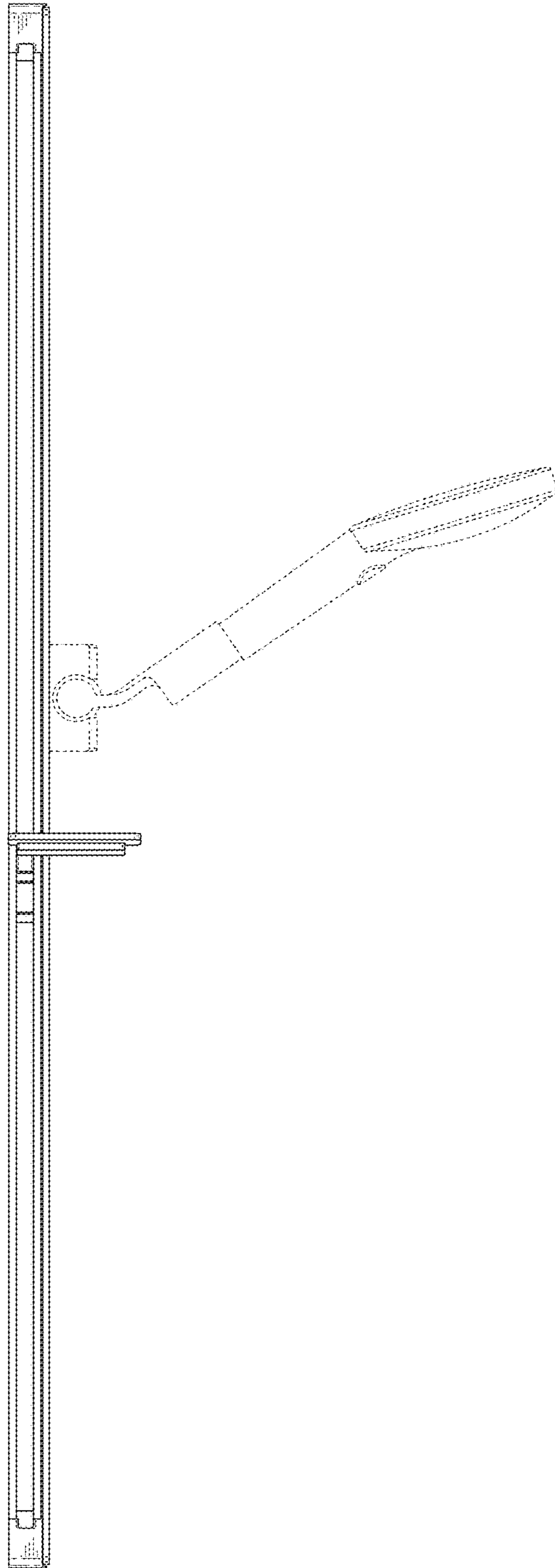


FIG. 6

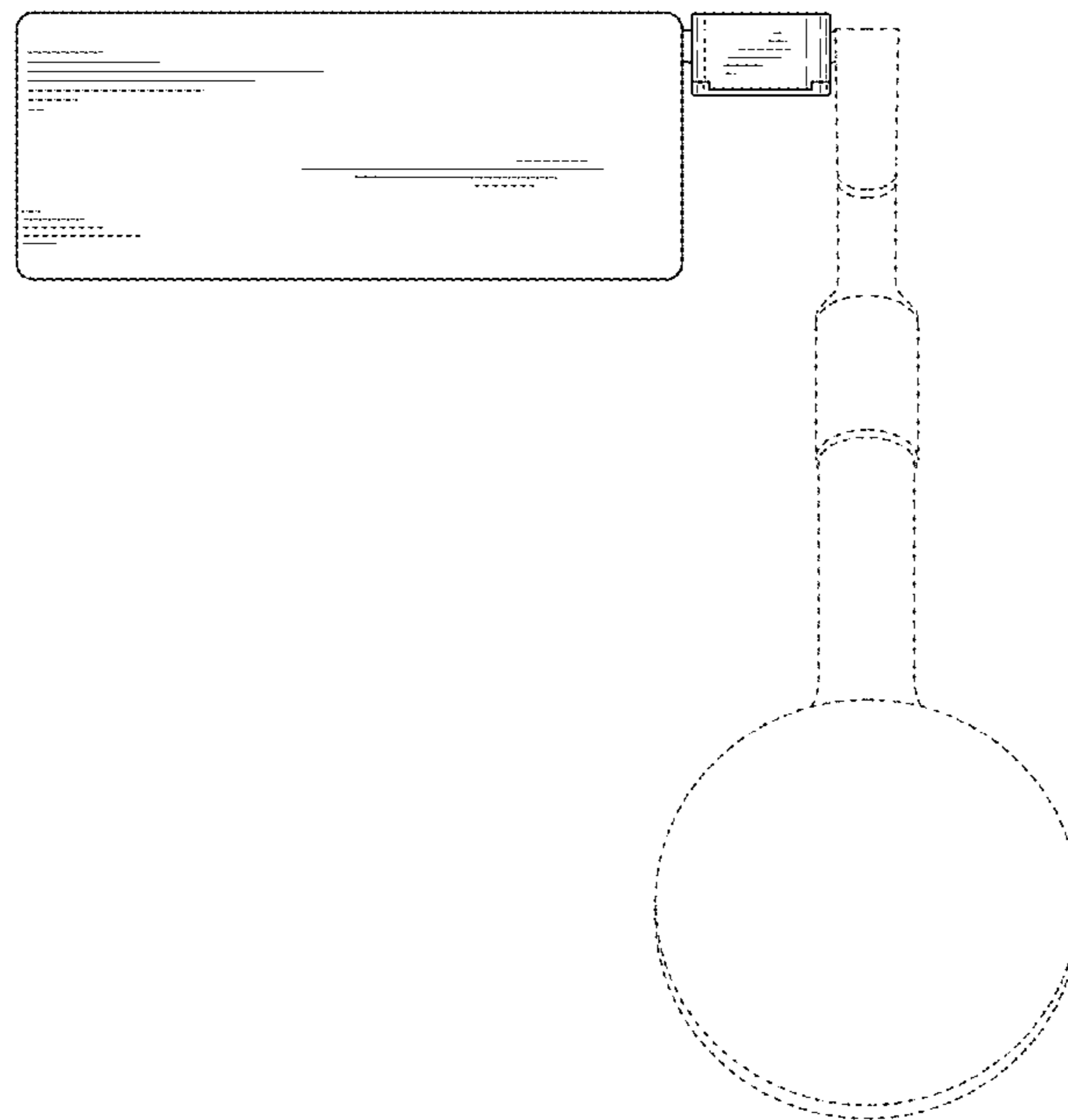


FIG. 7

