



US00D817464S

(12) **United States Design Patent** (10) **Patent No.:** **US D817,464 S**
Lacava (45) **Date of Patent:** **** May 8, 2018**

(54) **SINK**
(71) Applicant: **Lacava, LLC**, Chicago, IL (US)
(72) Inventor: **Carmine Lacava**, Chicago, IL (US)
(73) Assignee: **Lacava, LLC**, Chicago, IL (US)
(**) Term: **15 Years**
(21) Appl. No.: **29/577,719**
(22) Filed: **Sep. 15, 2016**
(51) **LOC (11) Cl.** **23-02**
(52) **U.S. Cl.**
USPC **D23/284**
(58) **Field of Classification Search**
USPC D23/284–293.1, 303, 308; D6/329, 573,
D6/657, 663–666, 671, 671.1, 671.4
CPC A47K 1/04; A47B 77/06; A47J 47/20
See application file for complete search history.

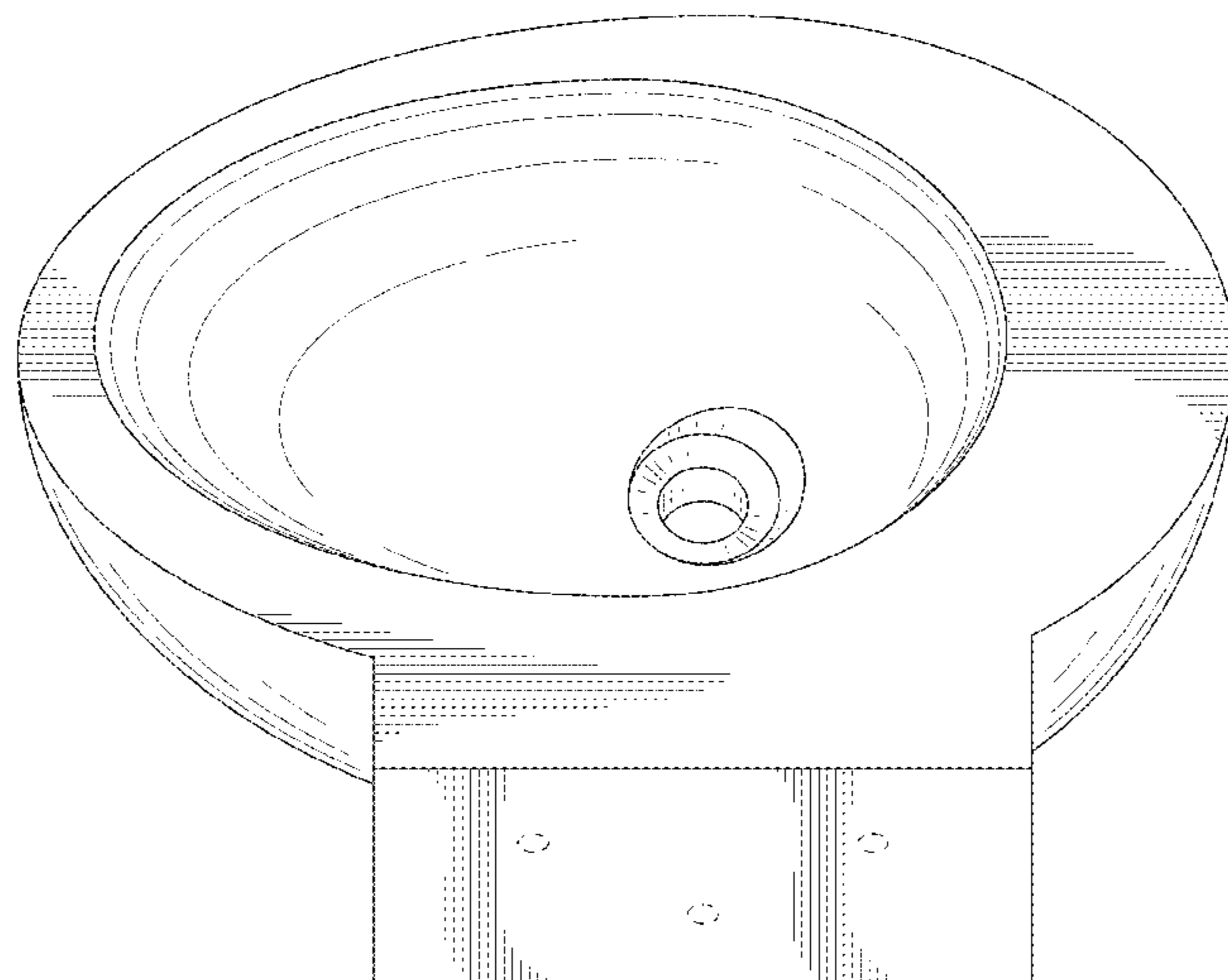
(56) **References Cited**
U.S. PATENT DOCUMENTS
D202,410 S * 9/1965 Sundberg D23/293.1
D205,653 S * 9/1966 Niemann D23/284
D232,638 S * 9/1974 Mather D23/284
D325,247 S * 4/1992 Stainton D23/293.1
D412,562 S * 8/1999 Soulier D23/292
D463,539 S * 9/2002 Piano D23/293.1
(Continued)

OTHER PUBLICATIONS
LaCava Suave Wall-mount Lavatory found online [Sep. 13, 2017]—
<https://www.lacava.com/product/1318>.
Primary Examiner — Robert M. Spear
(74) *Attorney, Agent, or Firm* — Bishop Diehl & Lee,
Ltd.

(57) **CLAIM**
The ornamental design for a sink, as shown and described.

DESCRIPTION
FIG. 1 is a top isometric view of an embodiment of a sink showing the new design;
FIG. 2 is a bottom isometric view of the sink shown in FIG. 1;
FIG. 3 is an elevated front view of the sink shown in FIG. 1;
FIG. 4 is an elevated rear view of the sink shown in FIG. 1;
FIG. 5 is an elevated right side view of the sink shown in FIG. 1;
FIG. 6 is an elevated left side view of the sink shown in FIG. 1;
FIG. 7 is a top plan view of the sink shown in FIG. 1;
FIG. 8 is a bottom plan view of the sink shown in FIG. 1;
FIG. 9 is an elevated front view of a cross-section taken through the line 9-9 as shown in FIG. 7;
FIG. 10 is an elevated right side view of a cross section taken through the line 10-10 as shown in FIG. 7;
FIG. 11 is a top isometric view of a second embodiment of a sink showing the new design;
FIG. 12 is a bottom isometric view of the sink shown in FIG. 11;
FIG. 13 is an elevated front view of the sink shown in FIG. 11;
FIG. 14 is an elevated rear view of the sink shown in FIG. 11;
FIG. 15 is an elevated right side view of the sink shown in FIG. 11;
FIG. 16 is an elevated left side view of the sink shown in FIG. 11;
FIG. 17 is a top plan view of the sink shown in FIG. 11;
FIG. 18 is a bottom plan view of the sink shown in FIG. 11;
FIG. 19 is an elevated front view of a cross-section taken through the line 19-19 as shown in FIG. 17; and,
FIG. 20 is an elevated right side view of a cross section taken through the line 20-20 as shown in FIG. 17.

1 Claim, 20 Drawing Sheets



(56)

References Cited

U.S. PATENT DOCUMENTS

D506,814 S *	6/2005	Alger	D23/293.1
D545,411 S *	6/2007	Lin	D23/293.1
D545,607 S *	7/2007	Clark	D7/304
D560,774 S *	1/2008	Lin	D23/293.1
D697,595 S *	1/2014	Spangler	D23/284
D777,305 S *	1/2017	Lao	D23/293.1
D780,300 S *	2/2017	Flowers	D23/293.1

* cited by examiner

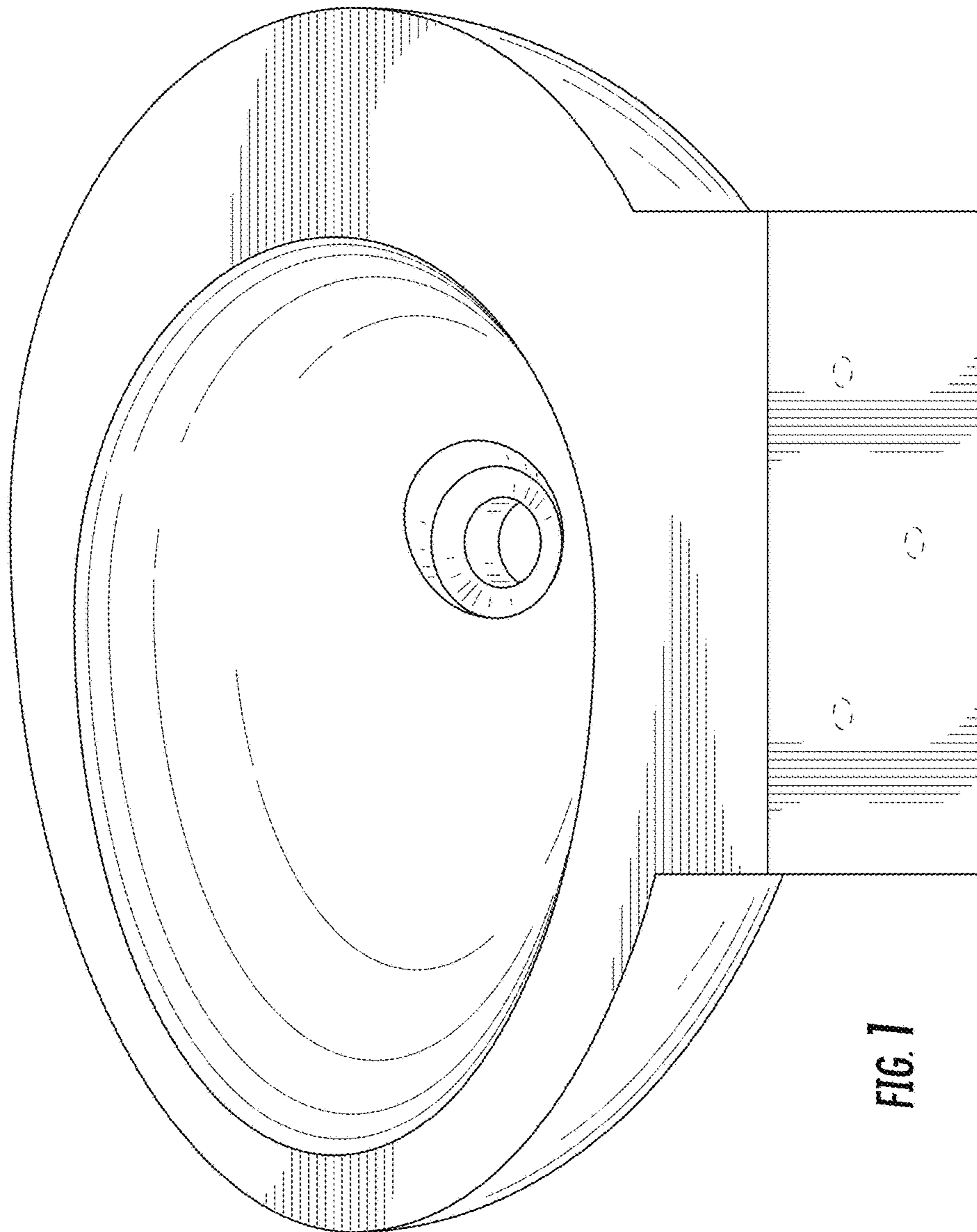


FIG. 1

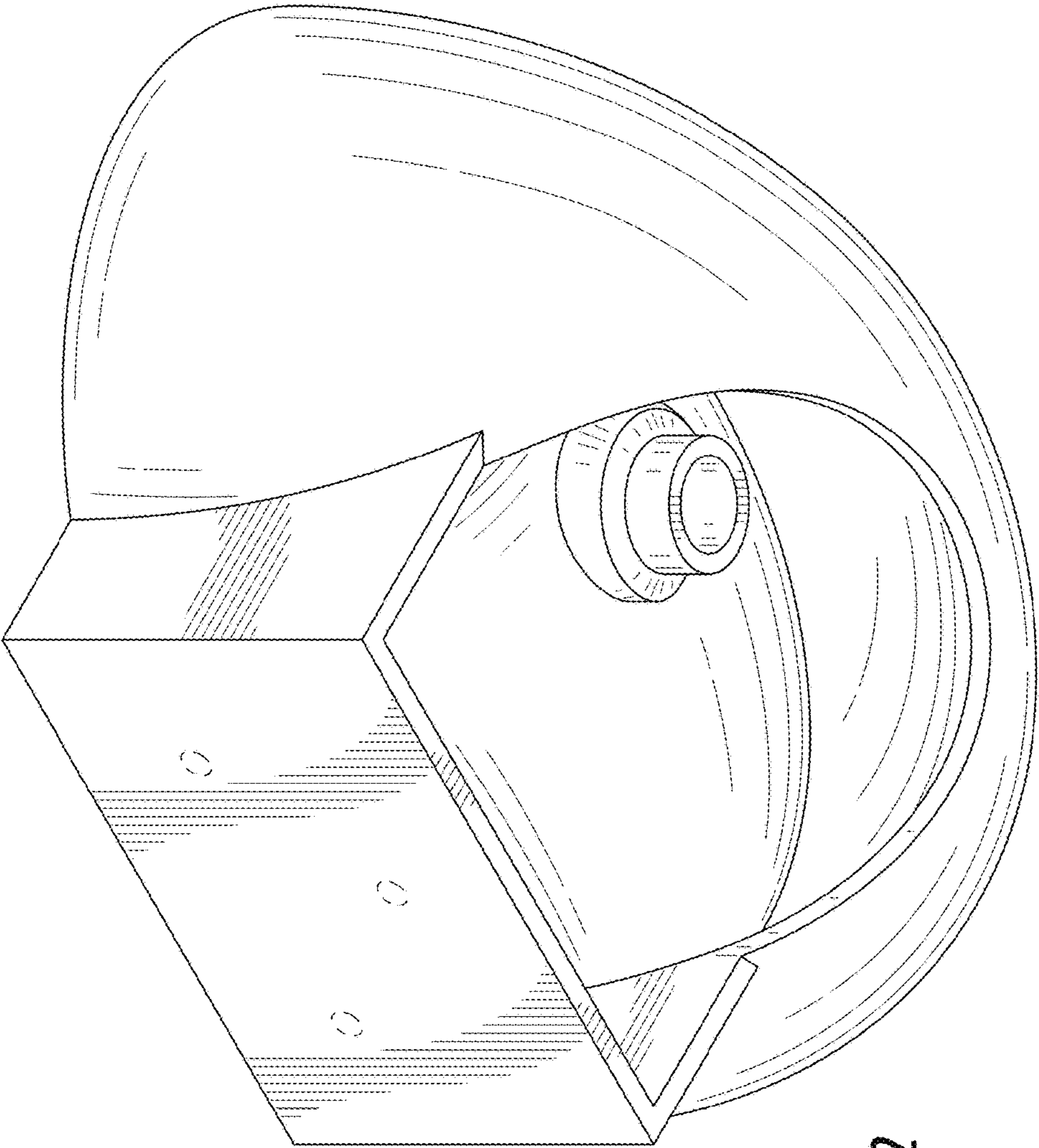


FIG. 2

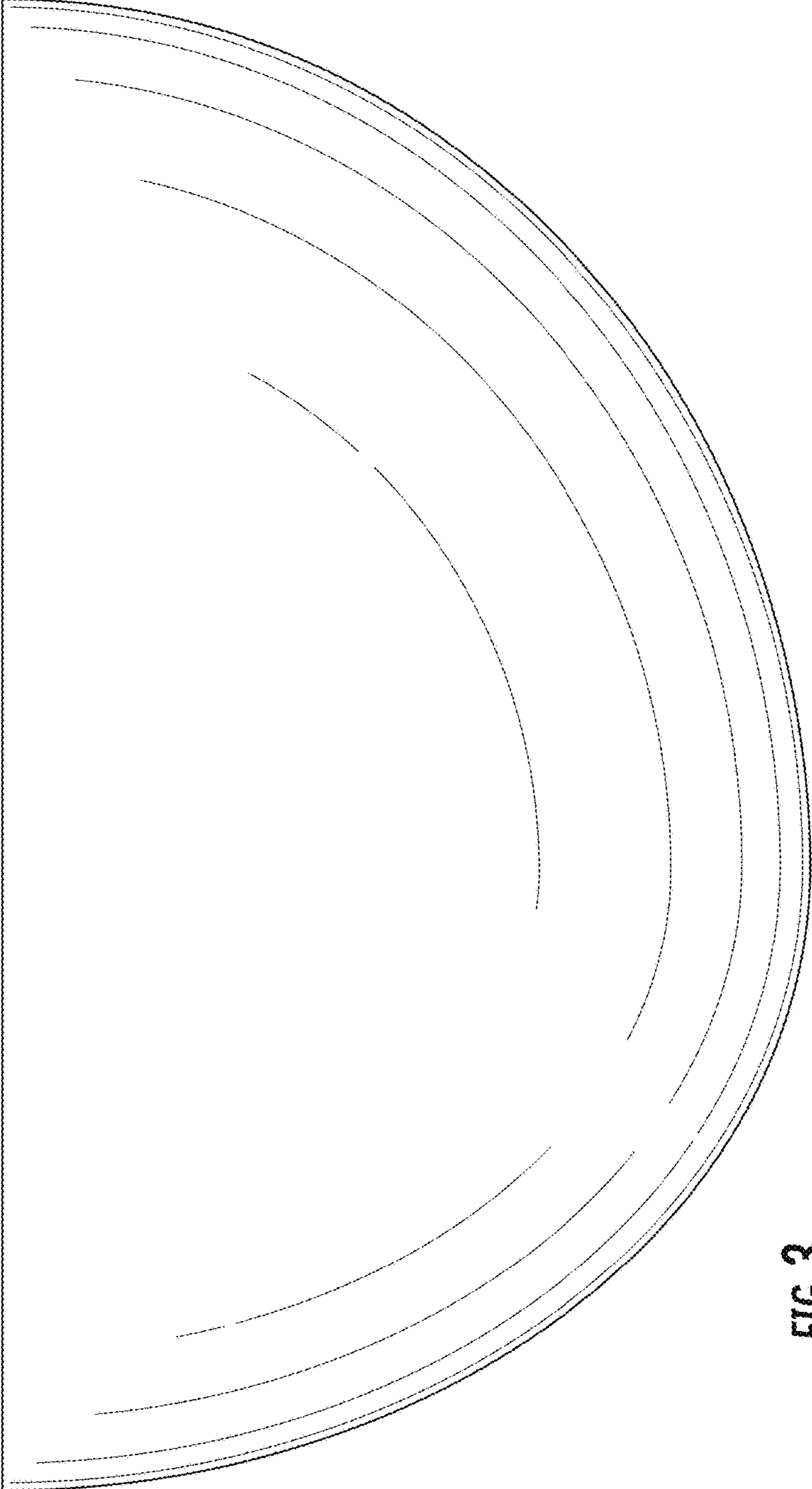


FIG. 3

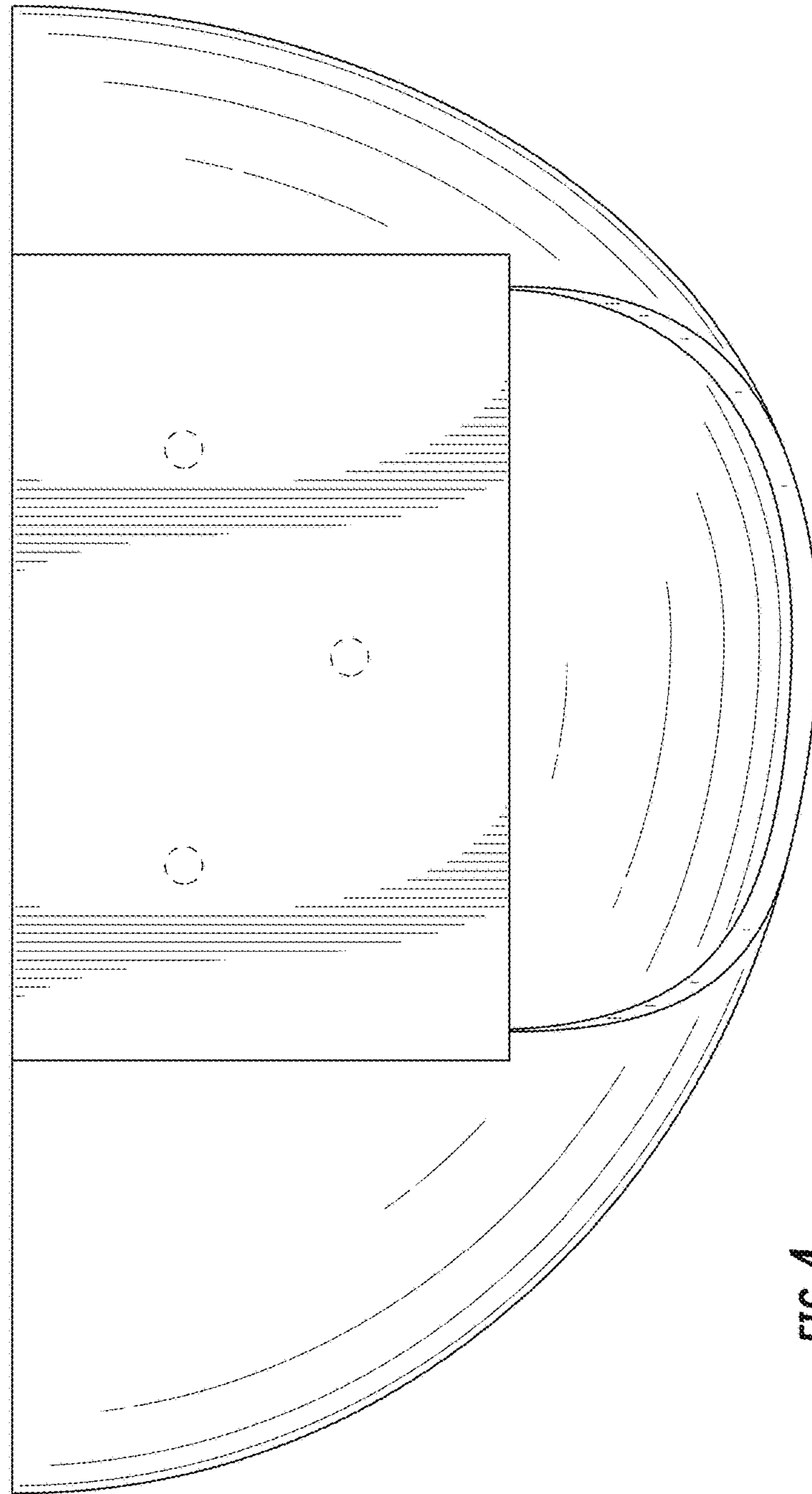


FIG. 4

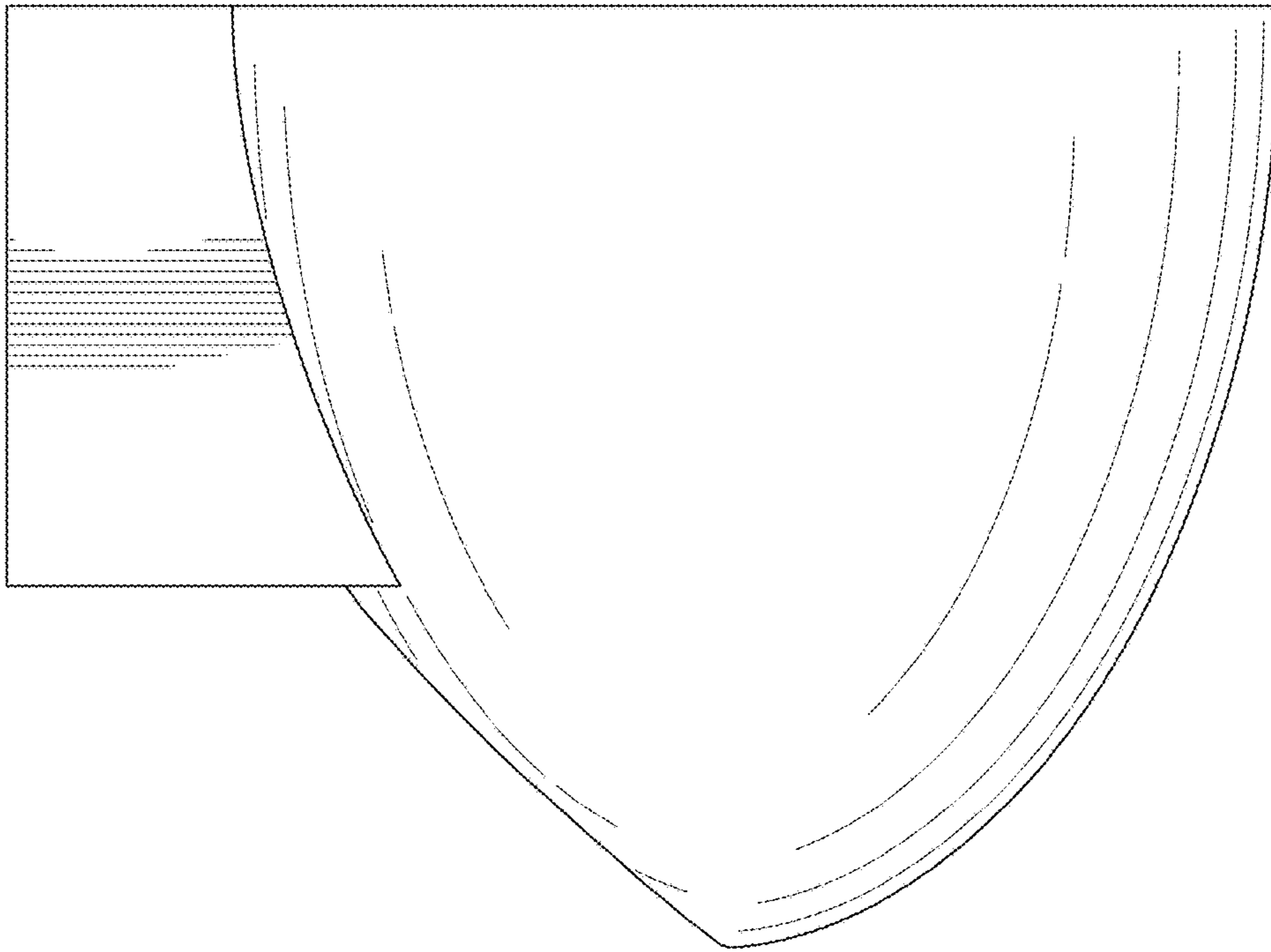


FIG. 5

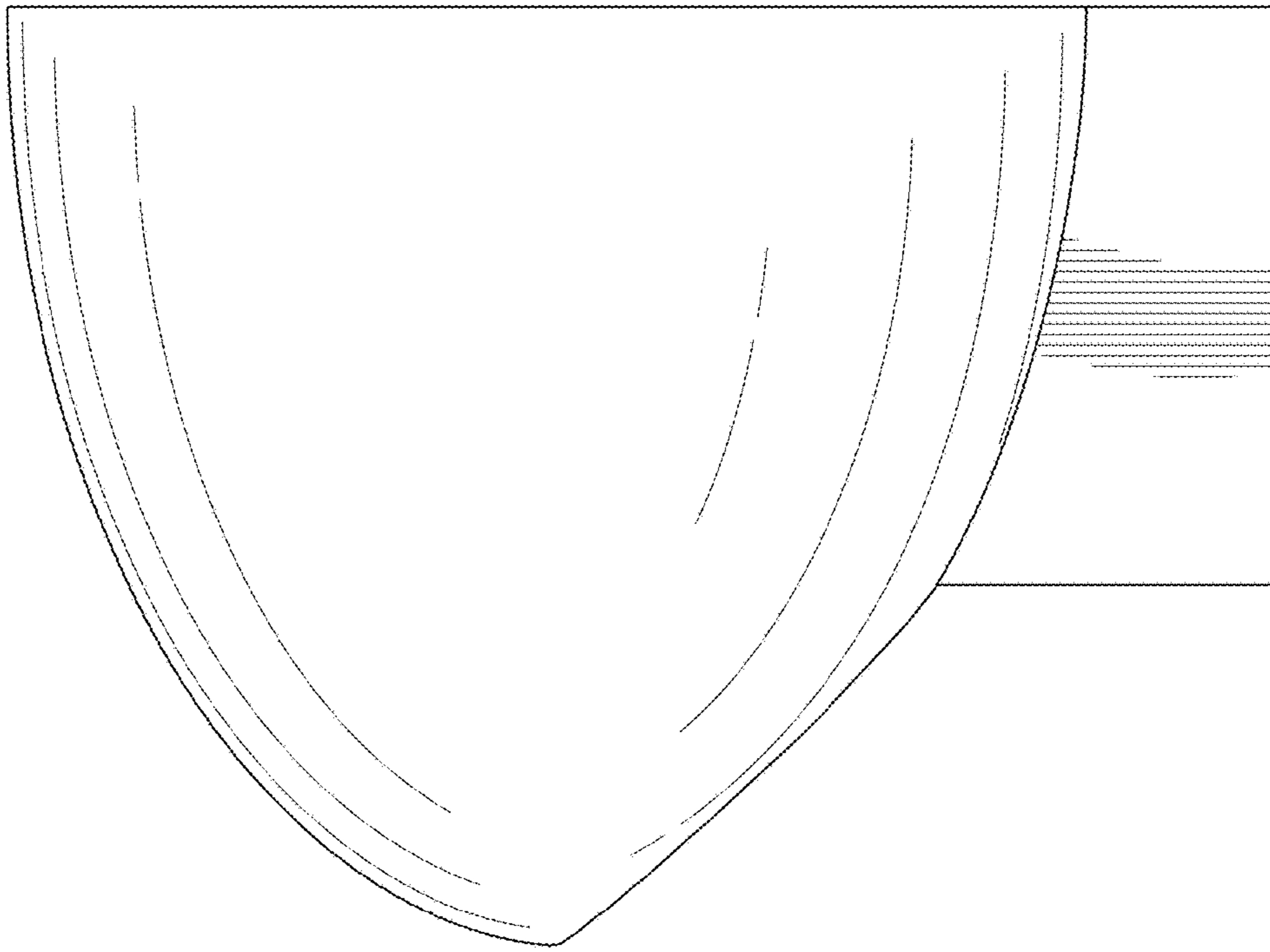
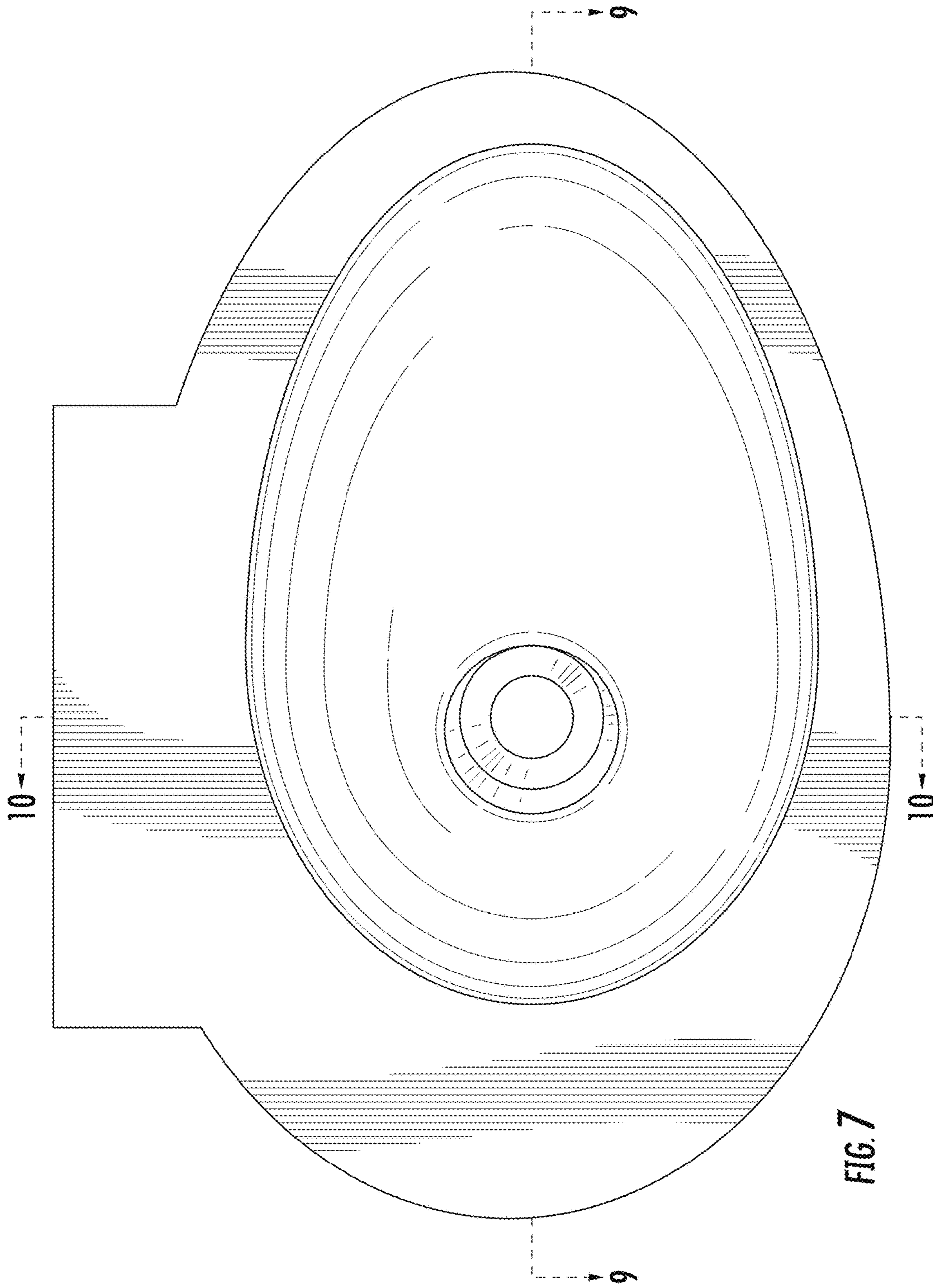


FIG. 6



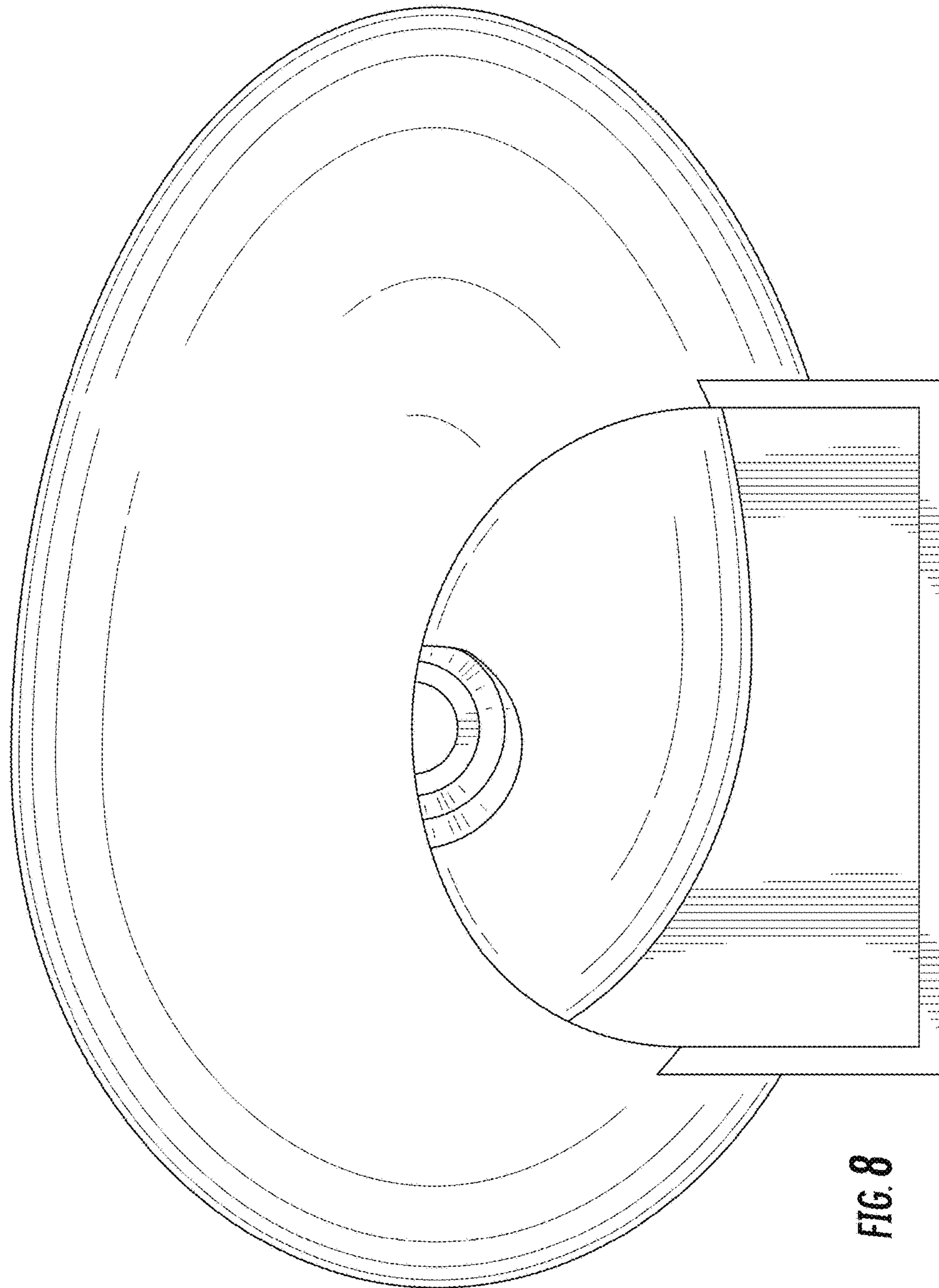


FIG. 8

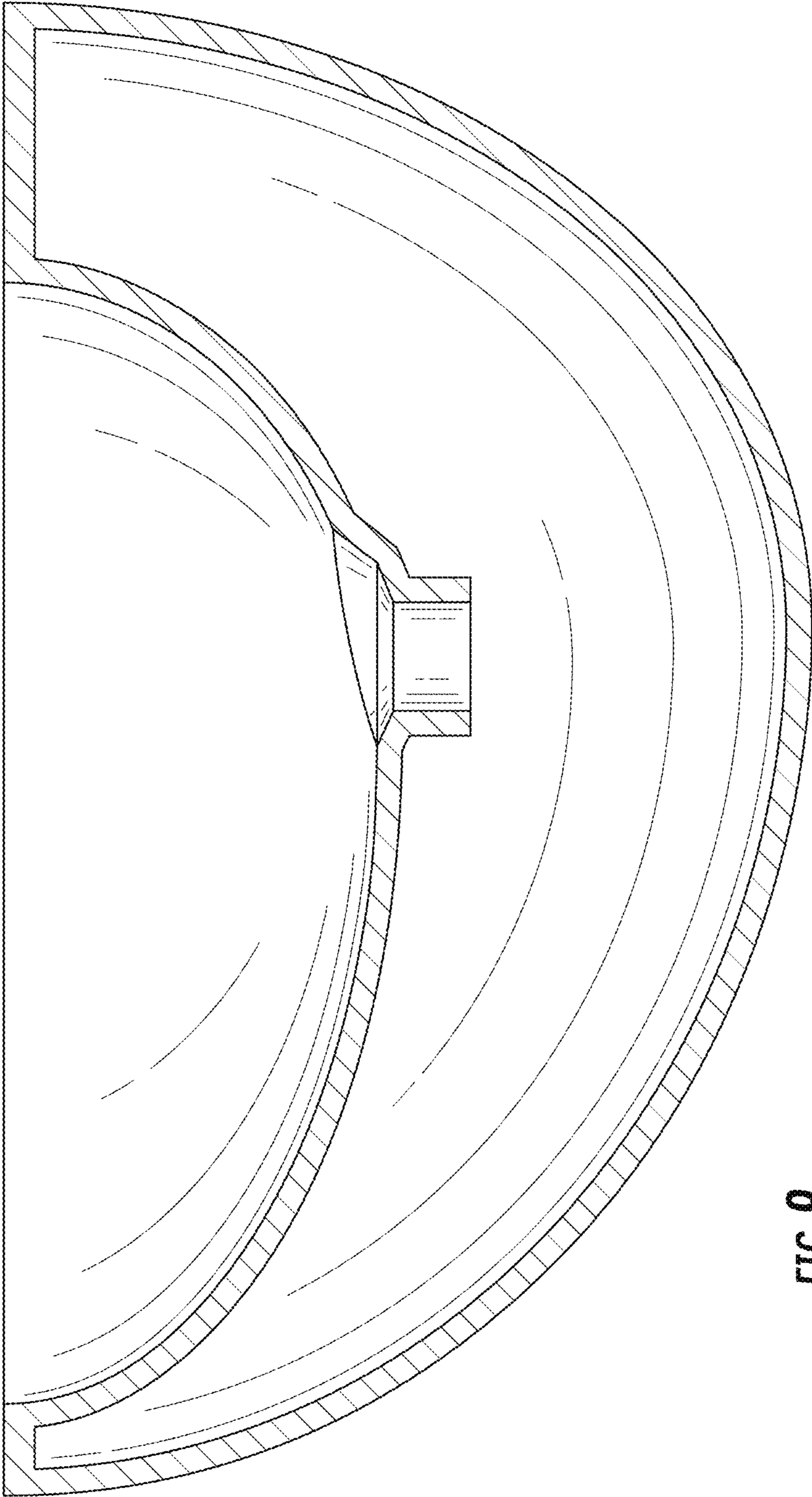


FIG. 9

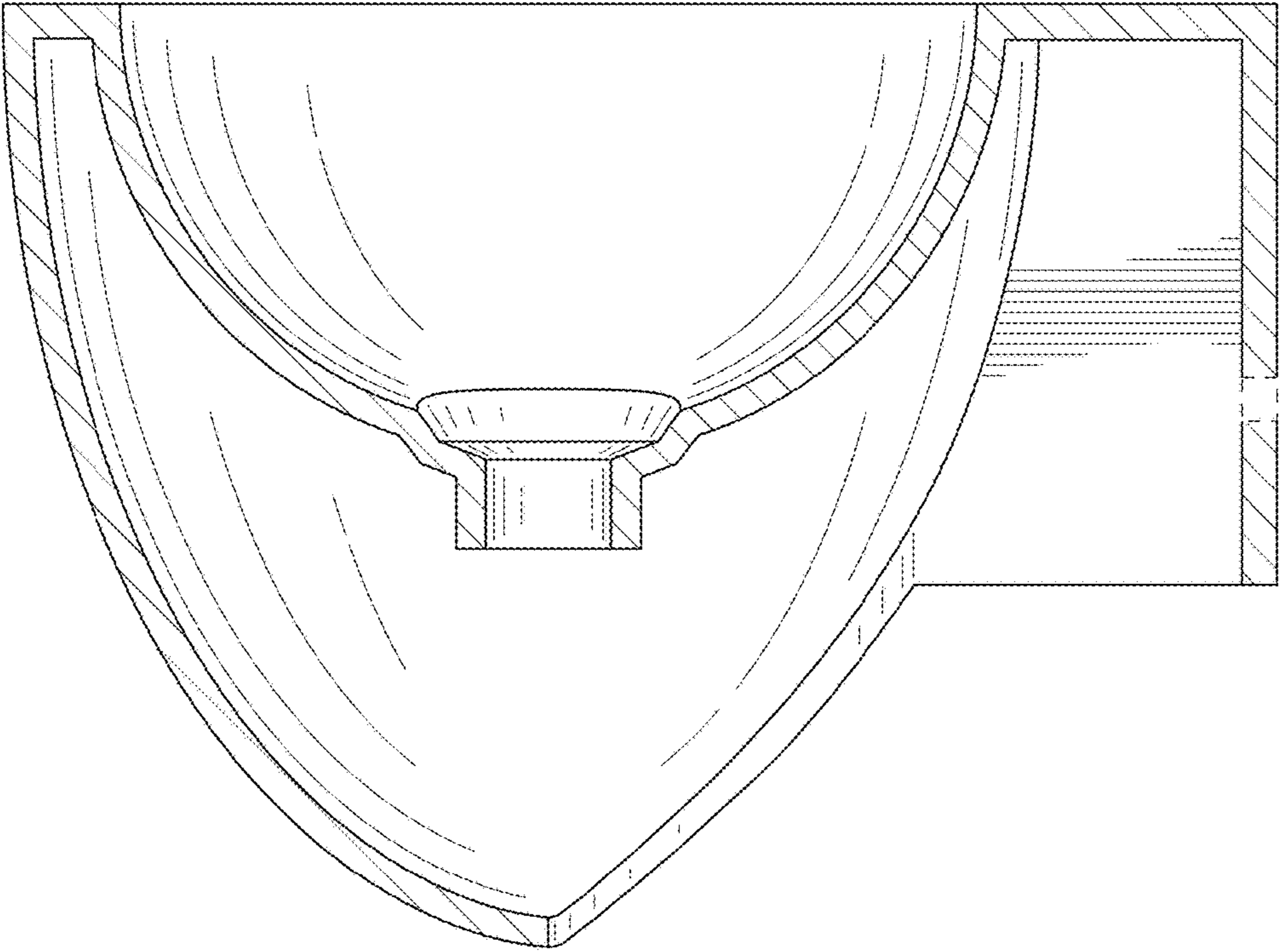


FIG. 10

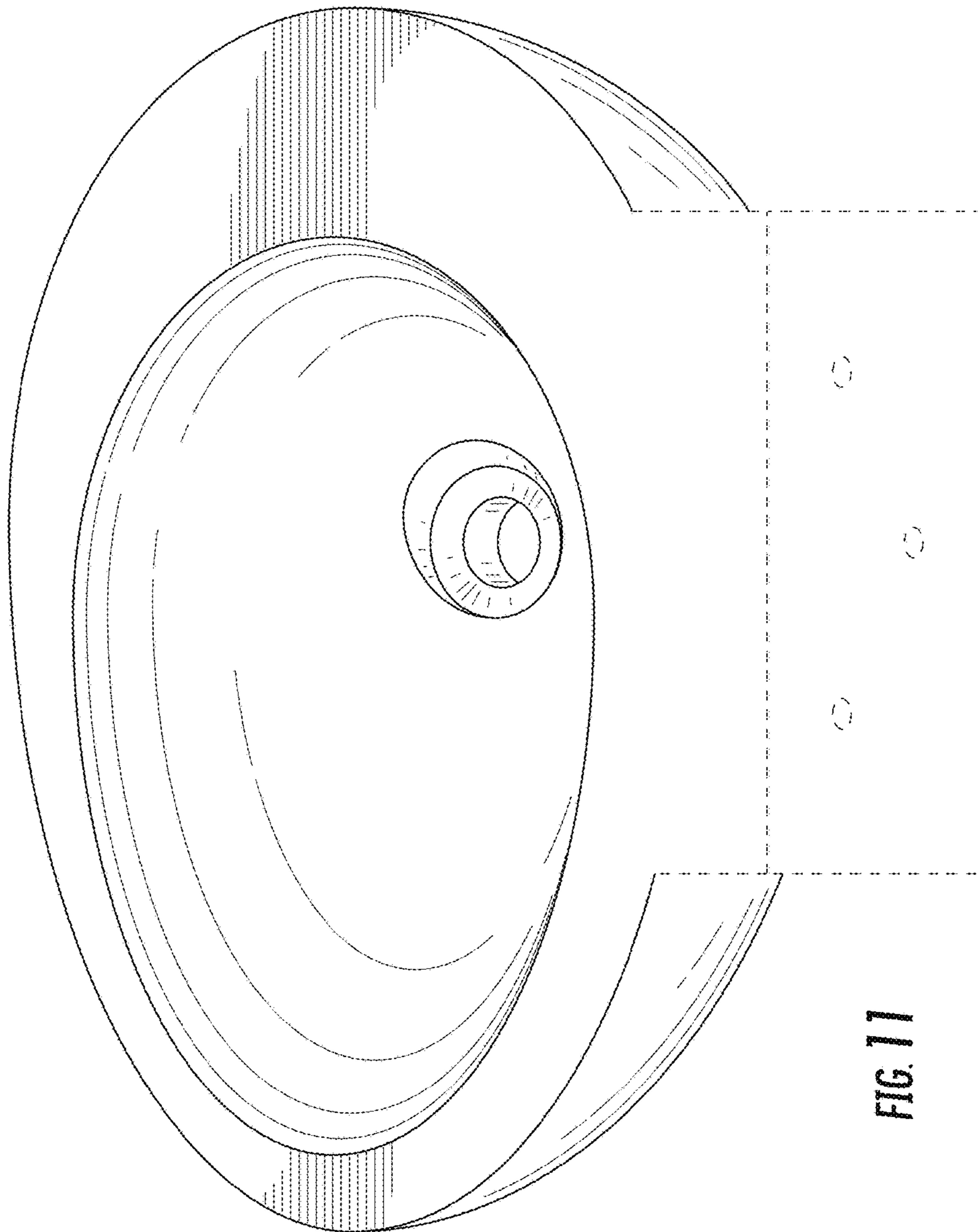


FIG. 11

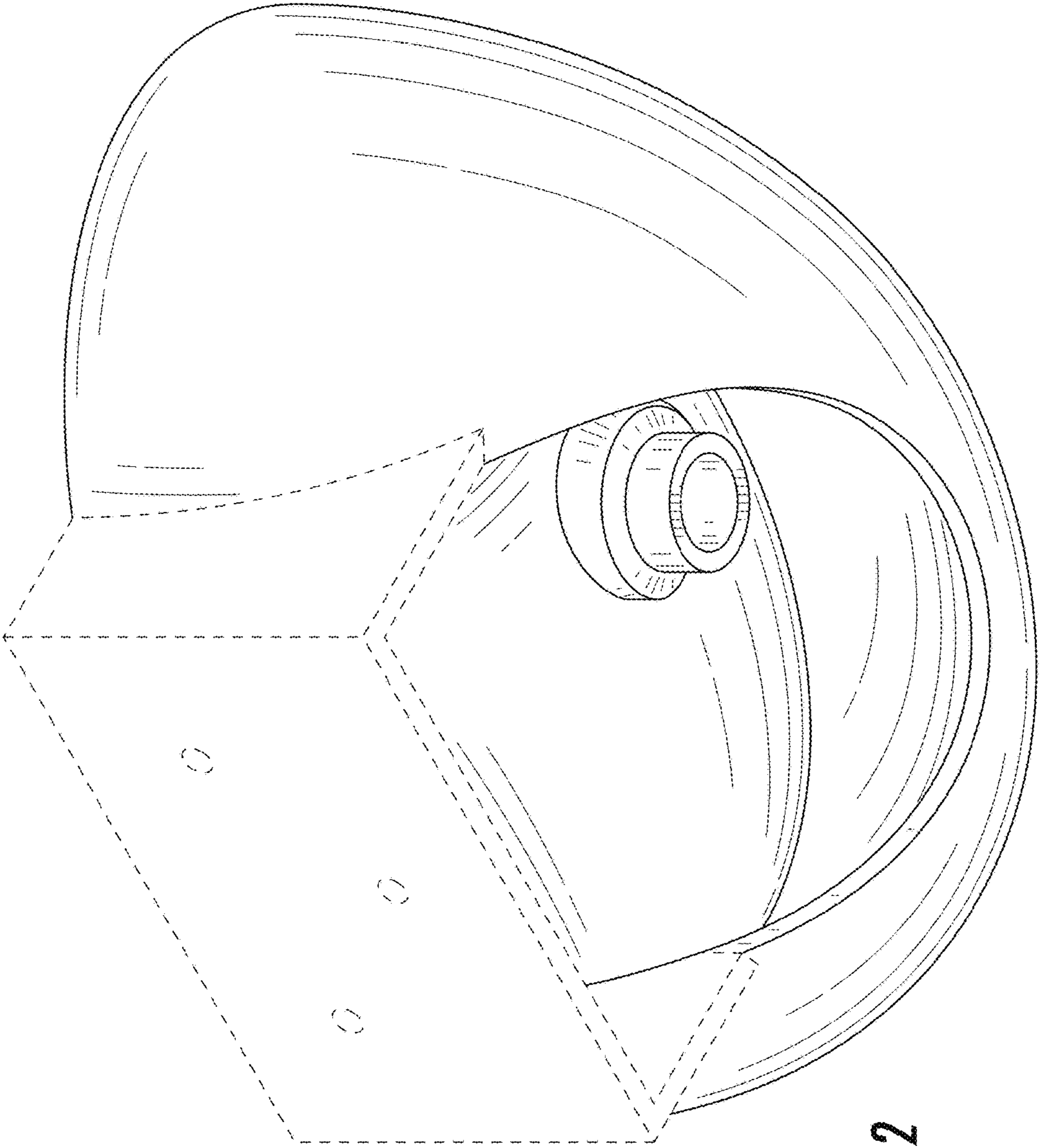


FIG. 12

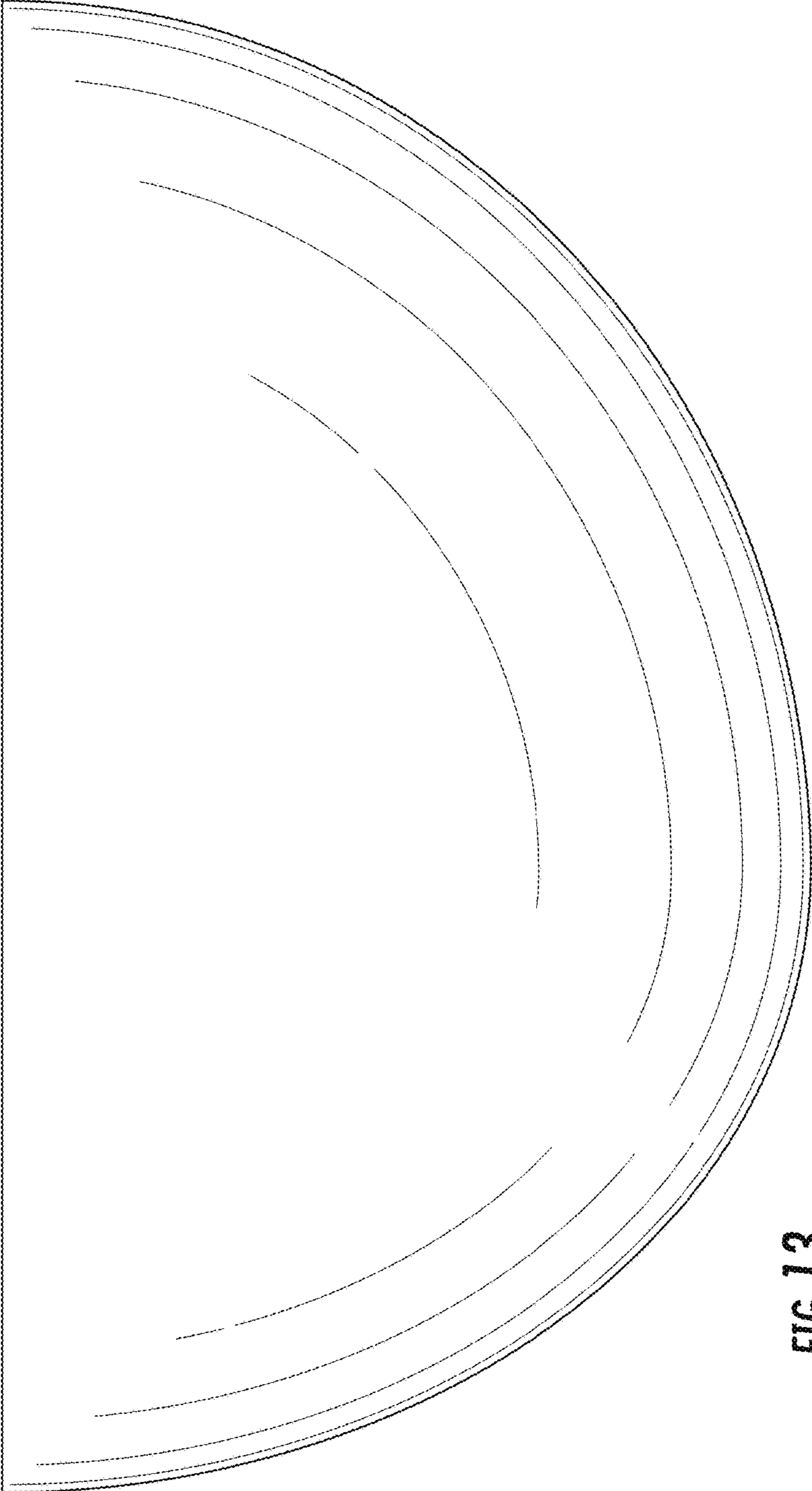


FIG. 13

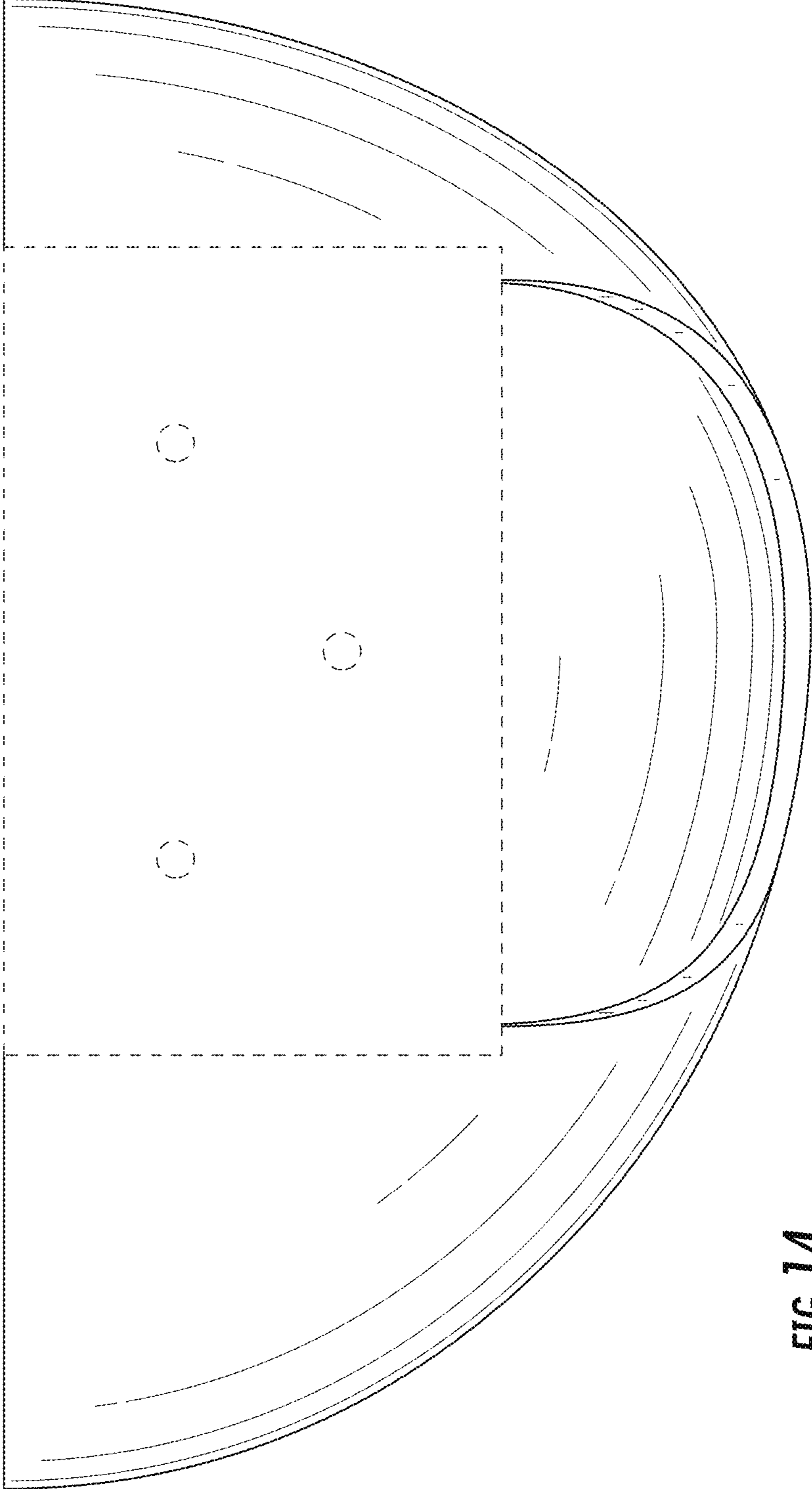


FIG. 14

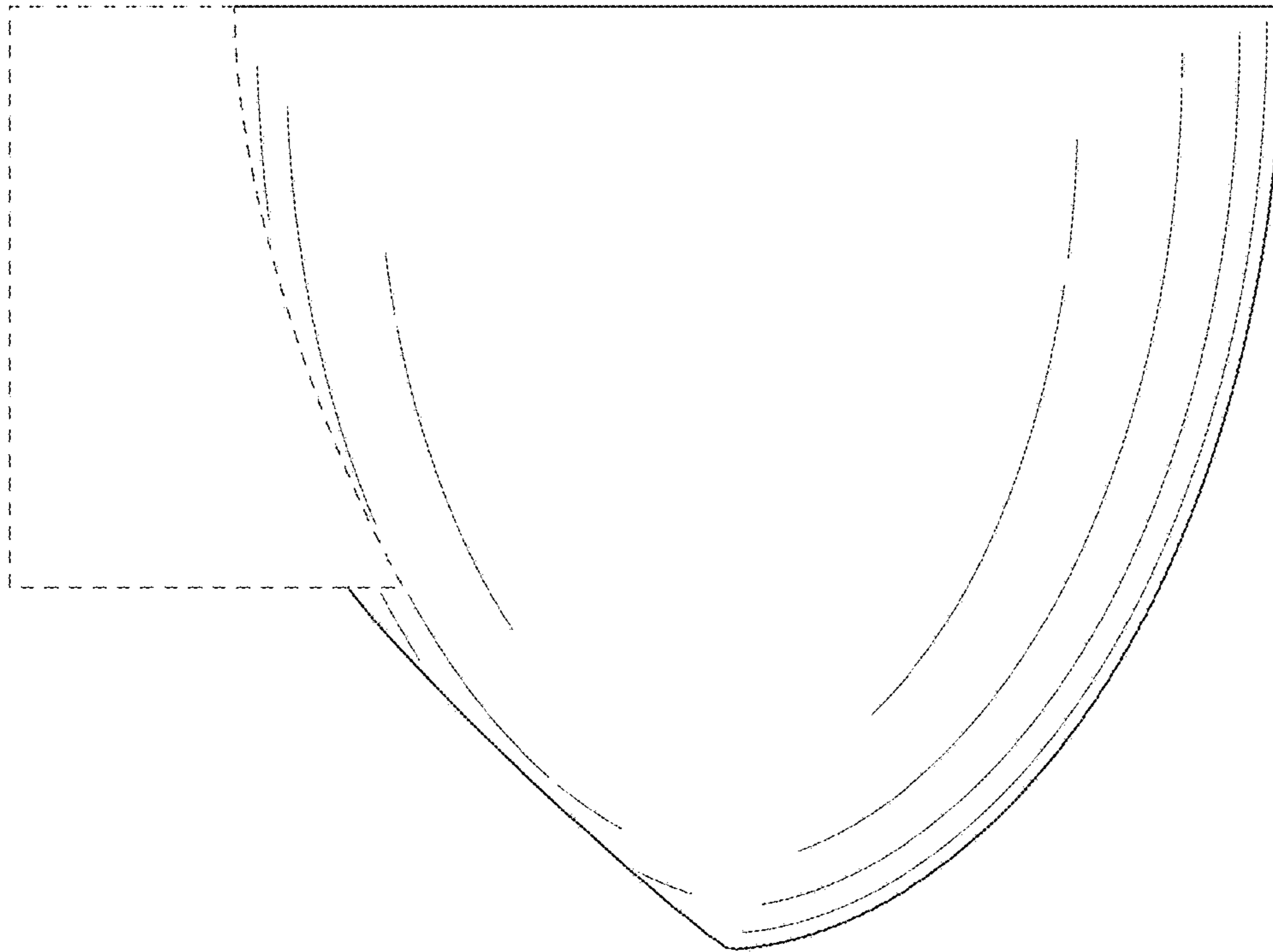


FIG. 15

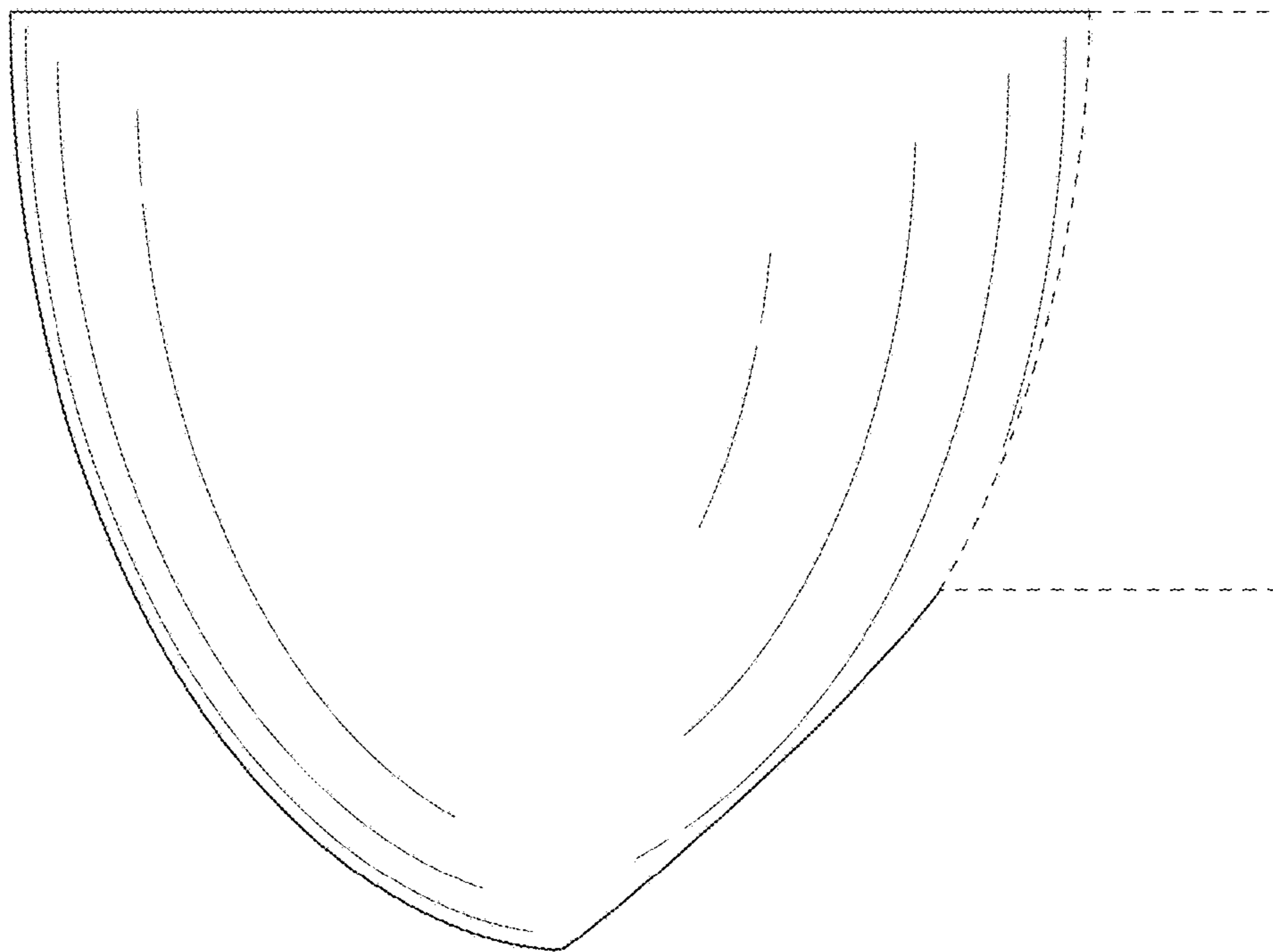
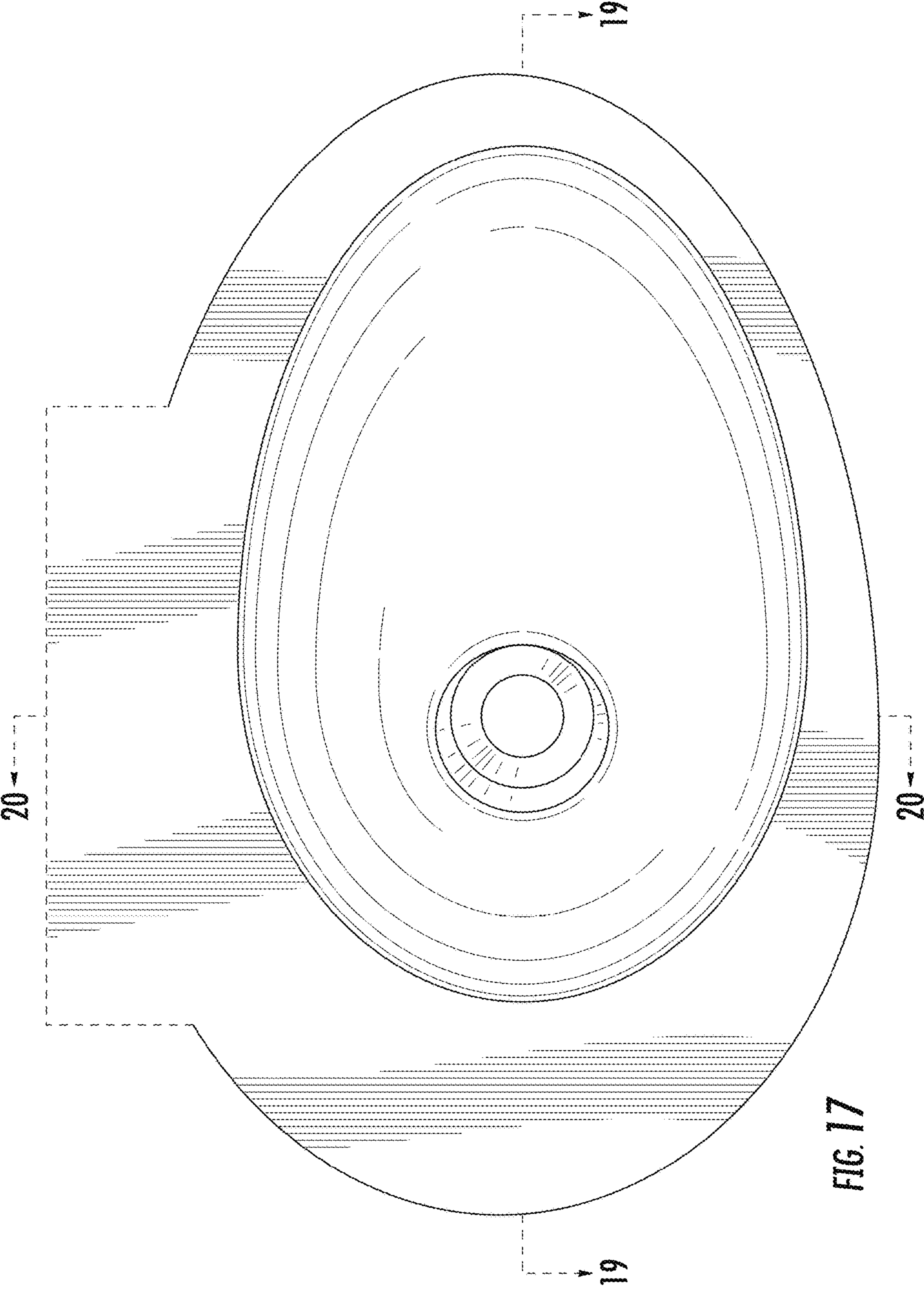


FIG. 16



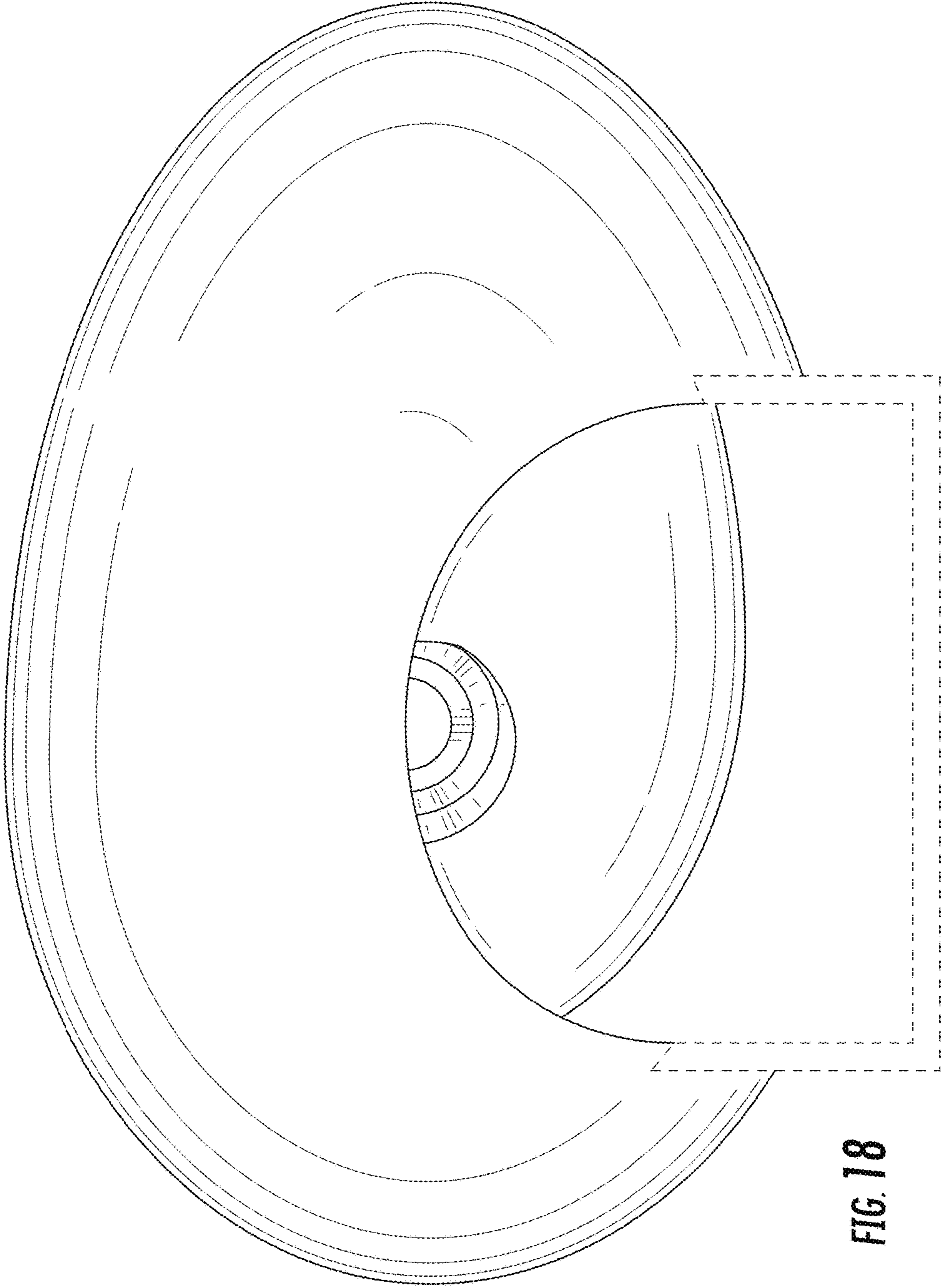


FIG. 18

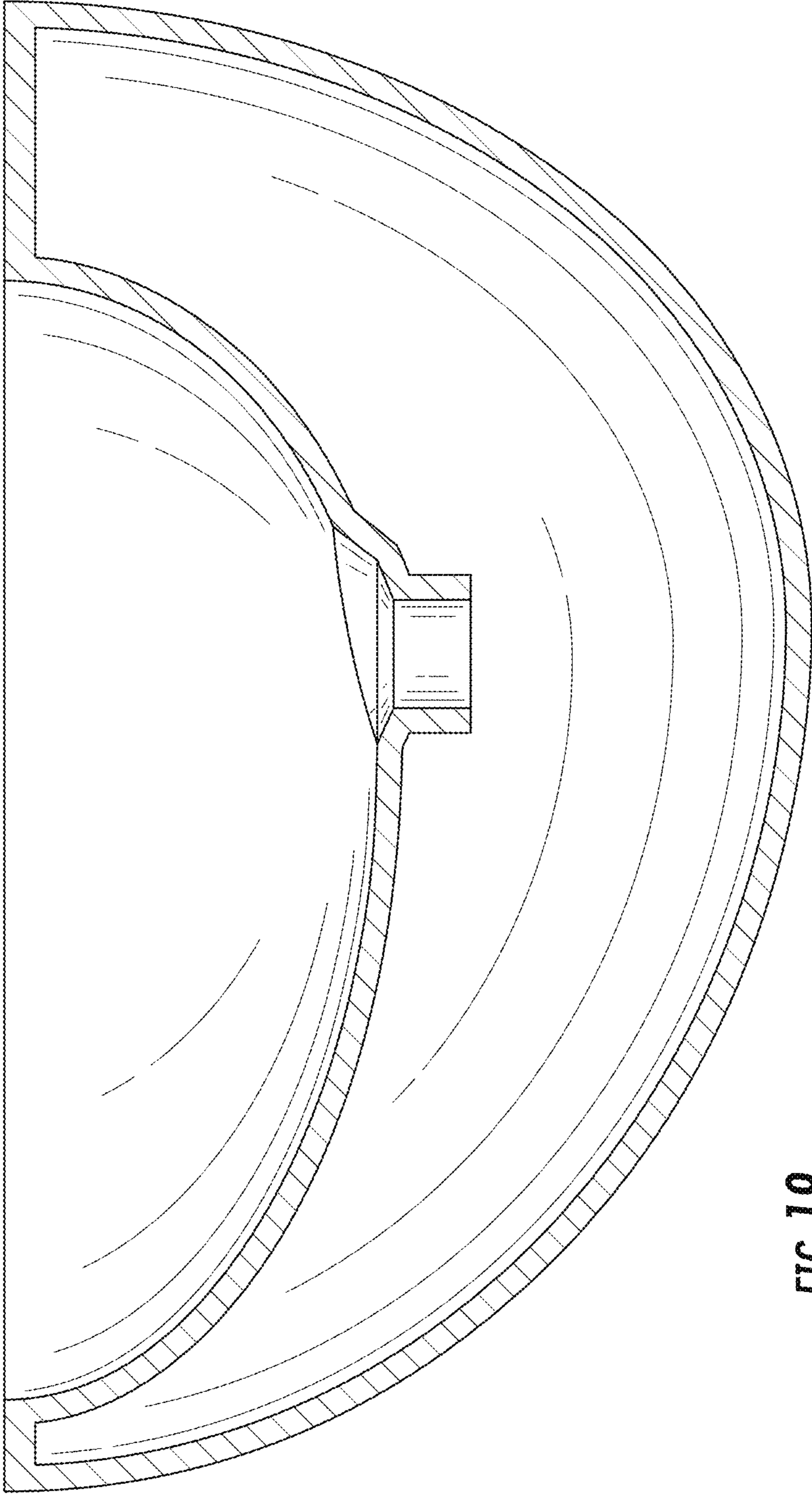


FIG. 19

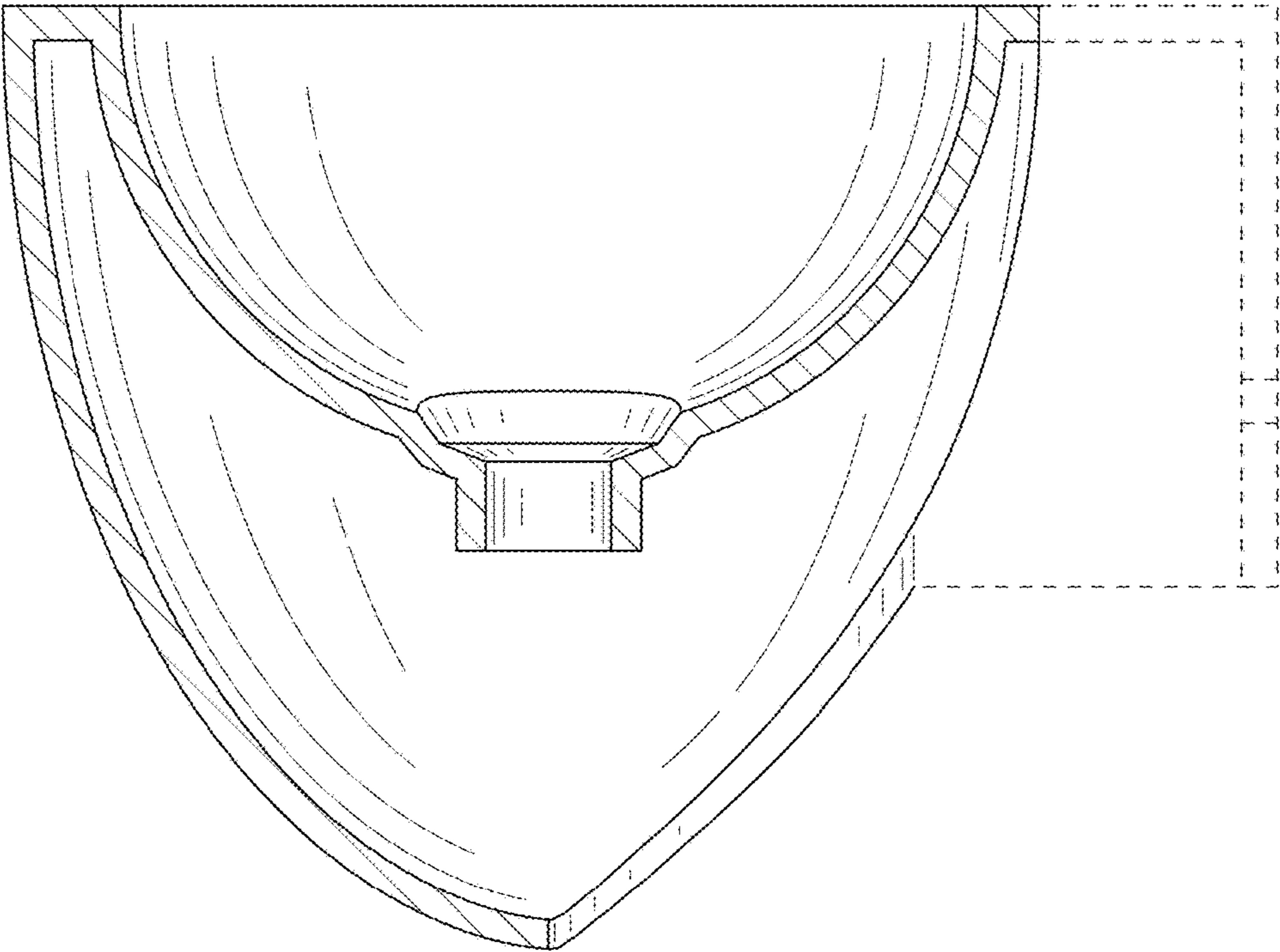


FIG. 20