



US00D817463S

(12) **United States Design Patent**
Curley et al.

(10) **Patent No.:** **US D817,463 S**

(45) **Date of Patent:** **** *May 8, 2018**

(54) **POP DOWN DRAIN**

D307,046 S * 4/1990 Burgess 4/651
5,144,699 A * 9/1992 Graham E03C 1/12
137/584
5,265,281 A * 11/1993 McAlpine E03C 1/262
4/287

(71) Applicants: **Kent Charles Curley**, Salinas, CA
(US); **Timothy George Lucas**,
Melbourne (AU)

(Continued)

(72) Inventors: **Kent Charles Curley**, Salinas, CA
(US); **Timothy George Lucas**,
Melbourne (AU)

Primary Examiner — Sandra Snapp

(57) **CLAIM**

The ornamental design for a pop down drain, as shown and described.

(*) Notice: This patent is subject to a terminal disclaimer.

DESCRIPTION

(**) Term: **14 Years**

FIG. 1 is an exploded perspective view of the pop down drain comprised of a cartridge element and a flange/throat element.

(21) Appl. No.: **29/474,543**

FIG. 2 is a top-down perspective view of the pop down drain in the up/open position.

(22) Filed: **Oct. 21, 2014**

FIG. 3 is a top-down perspective view of the pop down drain in the down/closed position.

(51) **LOC (11) Cl.** **23-01**

(52) **U.S. Cl.**
USPC **D23/260**

(58) **Field of Classification Search**
USPC D23/259–263, 266–269, 233; 251/215,
251/216; 285/369, 372, 373, 417, 133.11,
285/133.3, 133.21, 133.4, 133.5, 133.6;
137/247, 247.41, 247.51

CPC F16L 11/00; F16L 37/252; F16L 41/007;
E03C 1/26; E03C 1/262; E03C 1/28;
E03F 5/04; A61B 5/00; A61M 25/09016

See application file for complete search history.

FIG. 4 is a top-down plan view of the pop down drain.

FIG. 5 is a side elevation view of the pop down drain.

FIG. 6 is a bottom-up plan view of the cartridge element of the pop down drain, the flange/throat element has been removed for ease of illustration.

FIG. 7 is a bottom-up plan view of the flange/throat element of the pop down drain, the cartridge element has been removed for ease of illustration.

FIG. 8 is a bottom-up perspective view of the pop down drain with the cartridge element inserted within the flange/throat element.

FIG. 9 is a cross-section view of the pop down drain in the up/open position taken along line 9-9 in FIG. 2; and, FIG. 10 is a cross-section view of the pop down drain in the down/closed position taken along line 10-10 in FIG. 3.

The top of the cartridge element in my pop down drain is in the same horizontal plane as the bottom surface as the basin, tube, and shower stall in which it is installed when the device is in the up/open position.

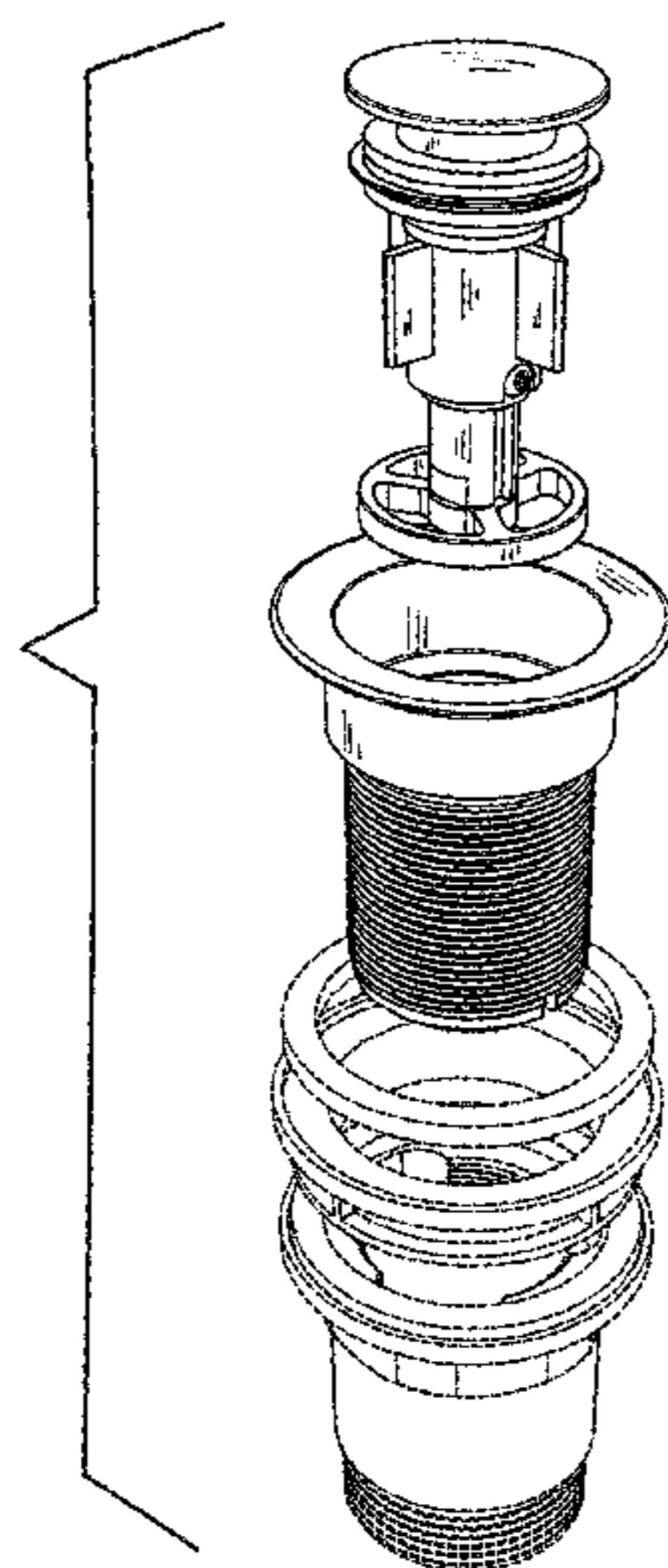
The broken lines shown in the drawings are for illustrative purposes only and form no part of the claimed design.

(56) **References Cited**

U.S. PATENT DOCUMENTS

1,938,064 A * 12/1933 Carmine E03C 1/304
137/112
4,067,072 A * 1/1978 Izzi E03F 5/0407
285/12
4,760,614 A * 8/1988 Harrison B08B 9/0321
4/255.06

1 Claim, 10 Drawing Sheets



(56)

References Cited

U.S. PATENT DOCUMENTS

5,318,230 A * 6/1994 Ferguson E03C 1/2665
241/46.13
5,418,983 A * 5/1995 Garguillo E03C 1/26
4/286
5,535,455 A * 7/1996 Liu E03C 1/26
4/286
6,249,920 B1 * 6/2001 McRoberts E03C 1/232
4/286
2006/0015997 A1 * 1/2006 Barnes E03C 1/26
4/507
2009/0133188 A1 * 5/2009 Peng A61H 33/6063
4/541.6

* cited by examiner

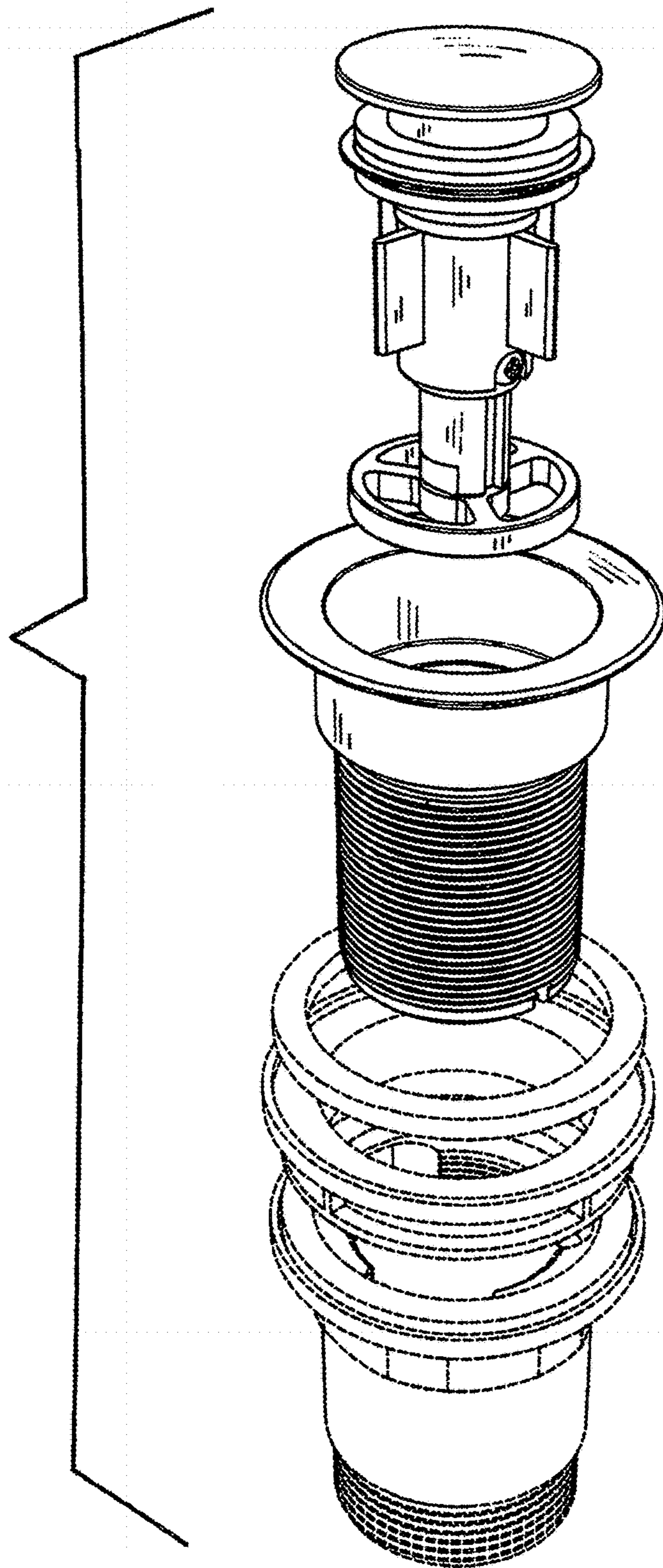


FIG. 1

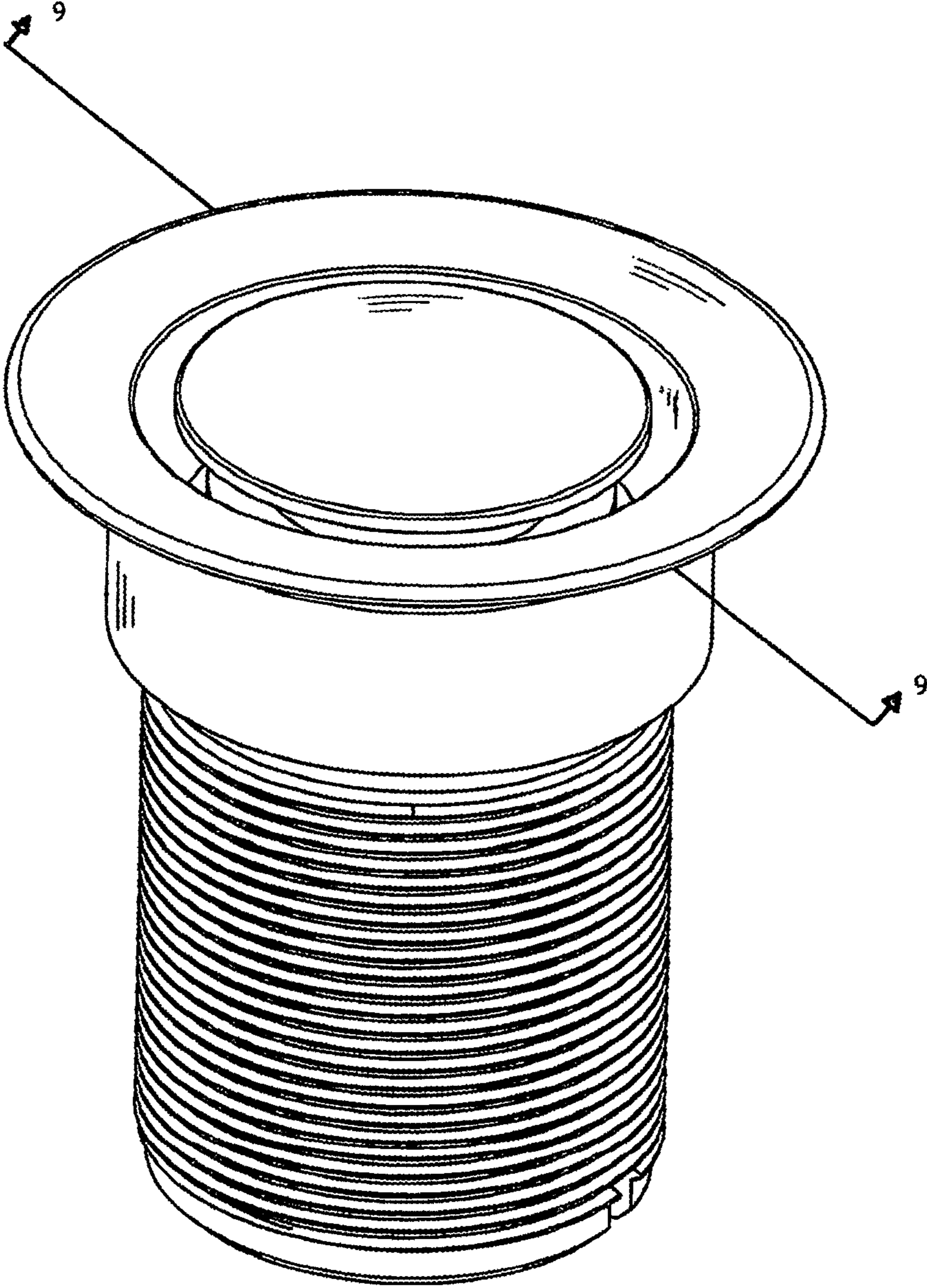


FIG. 2

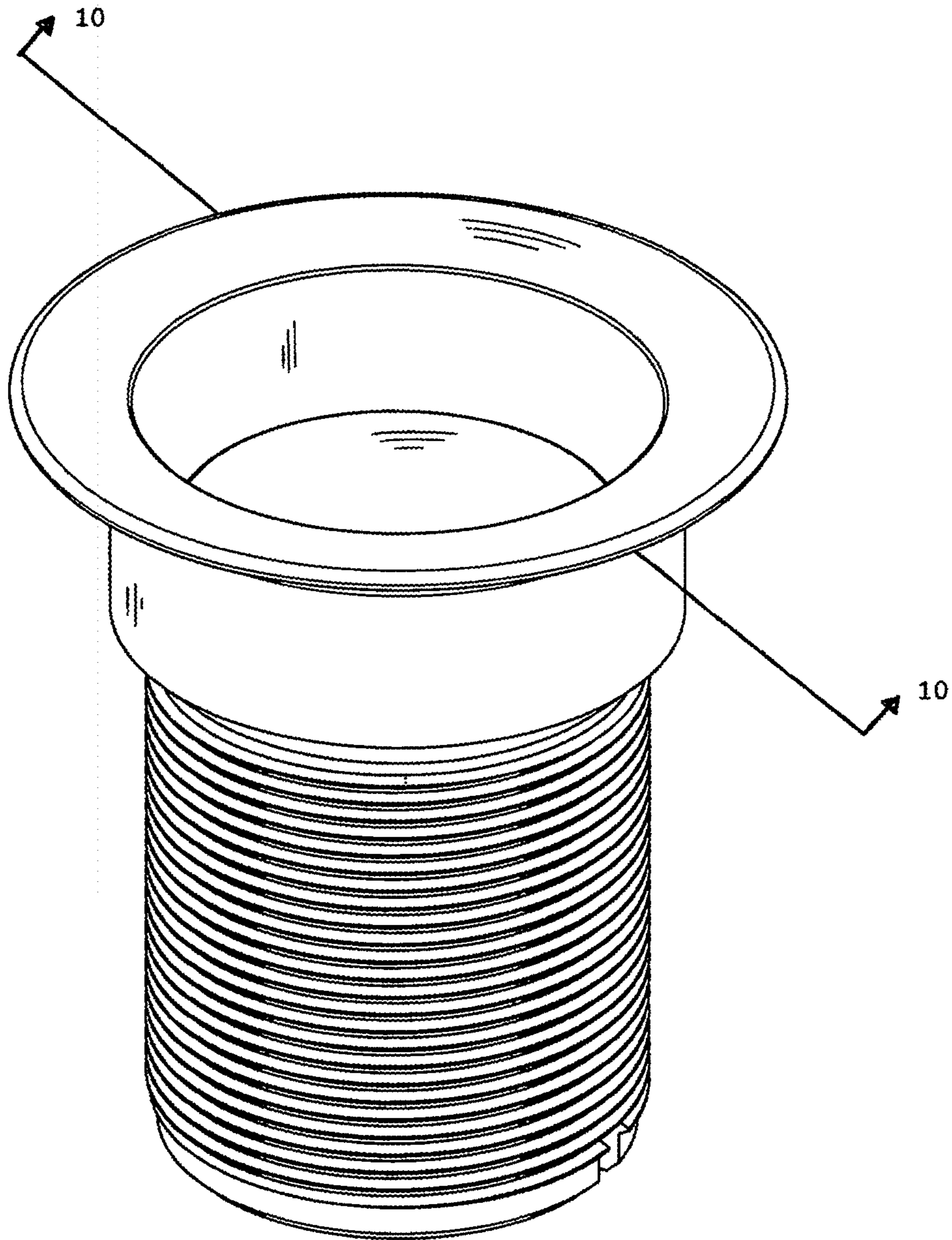


FIG. 3

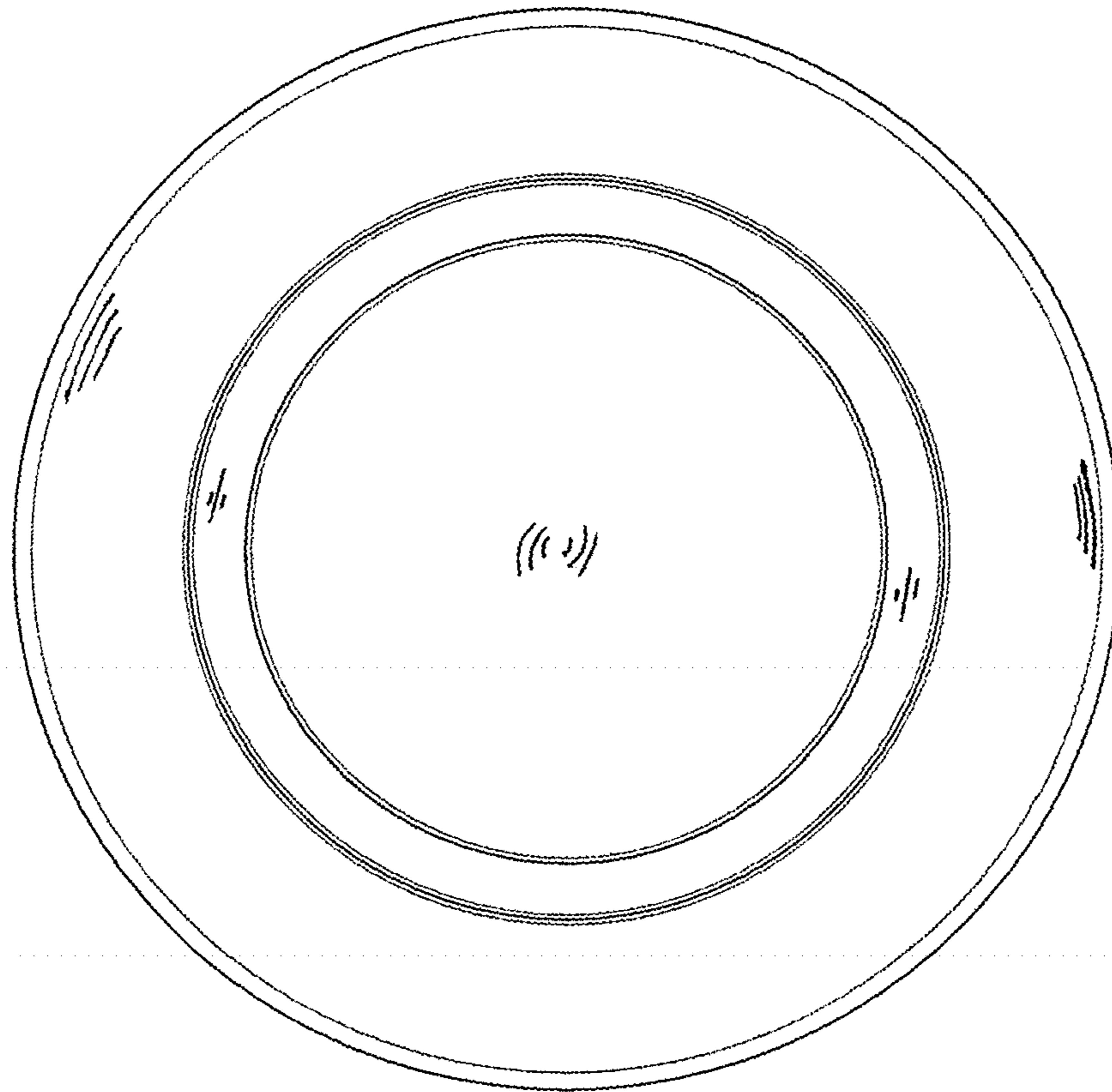


FIG. 4

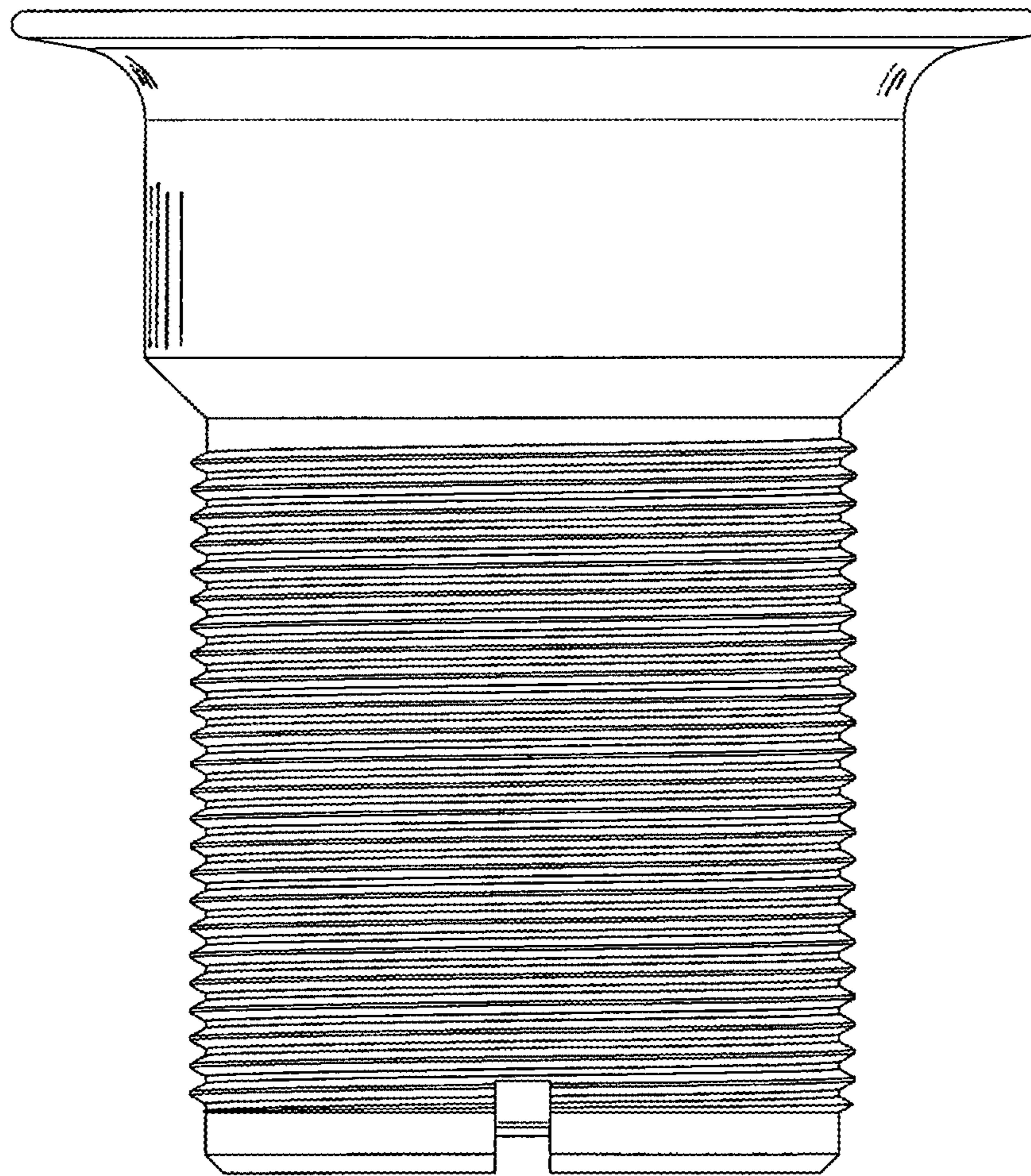


FIG. 5

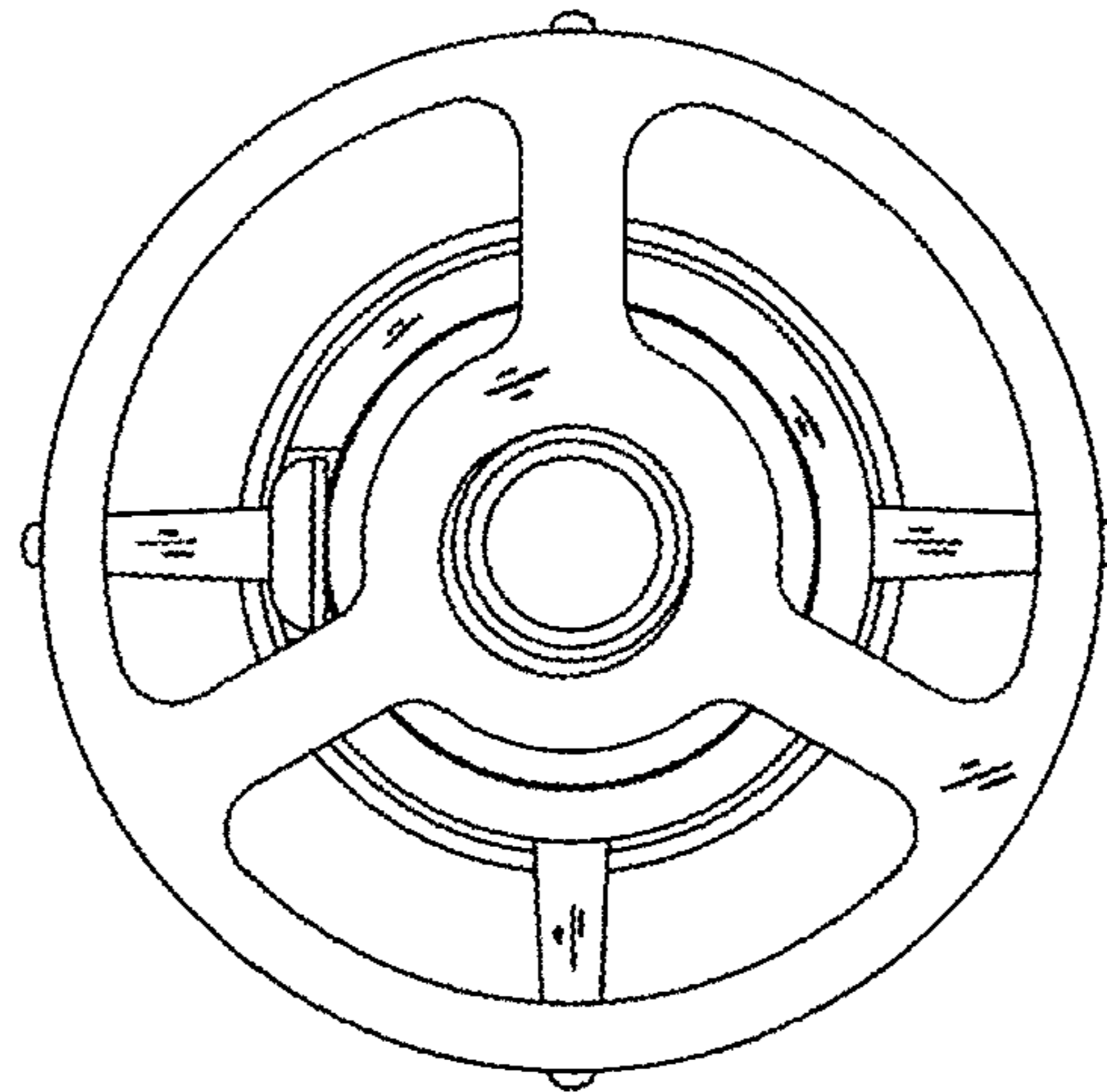


FIG. 6

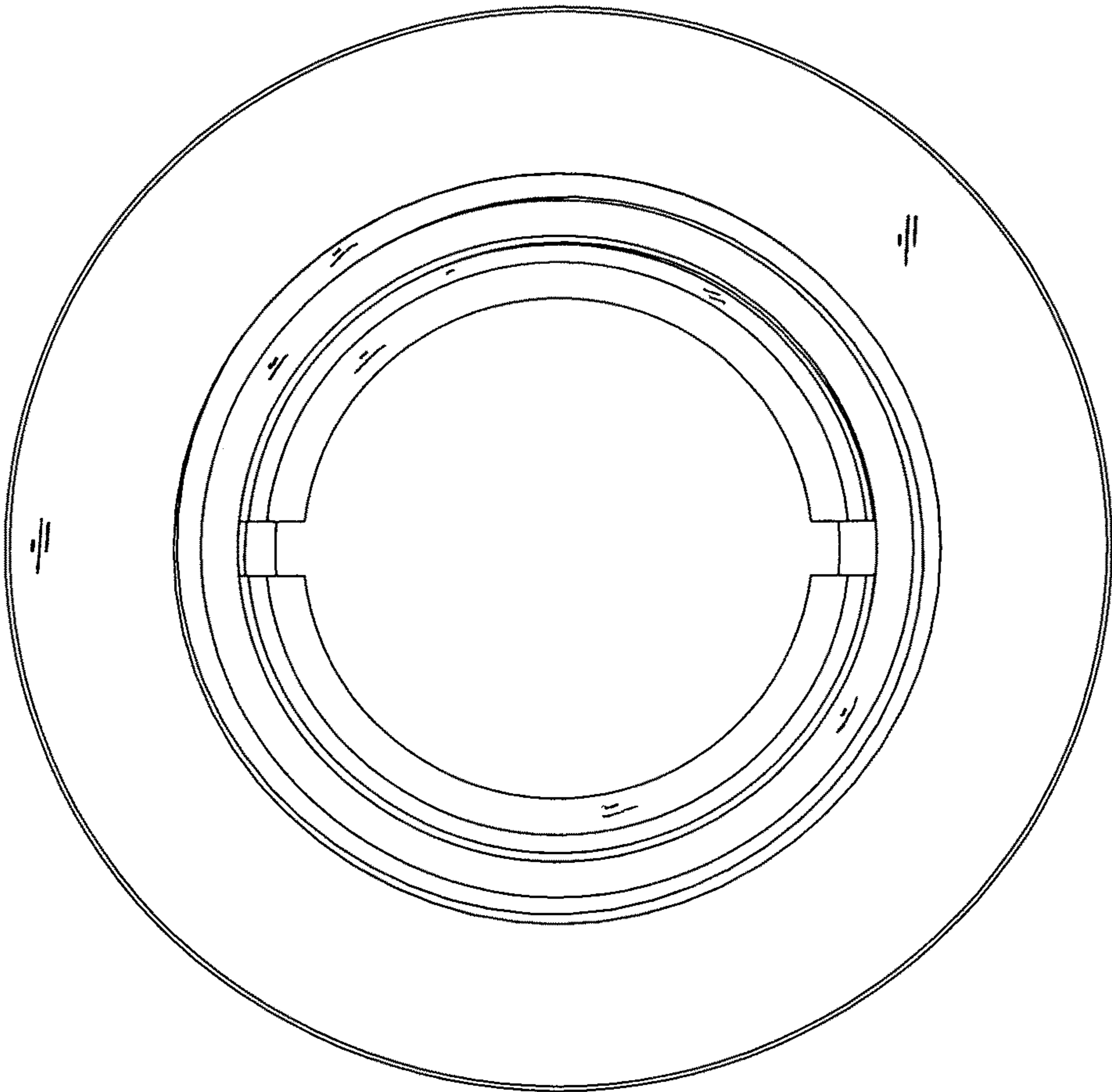


FIG. 7

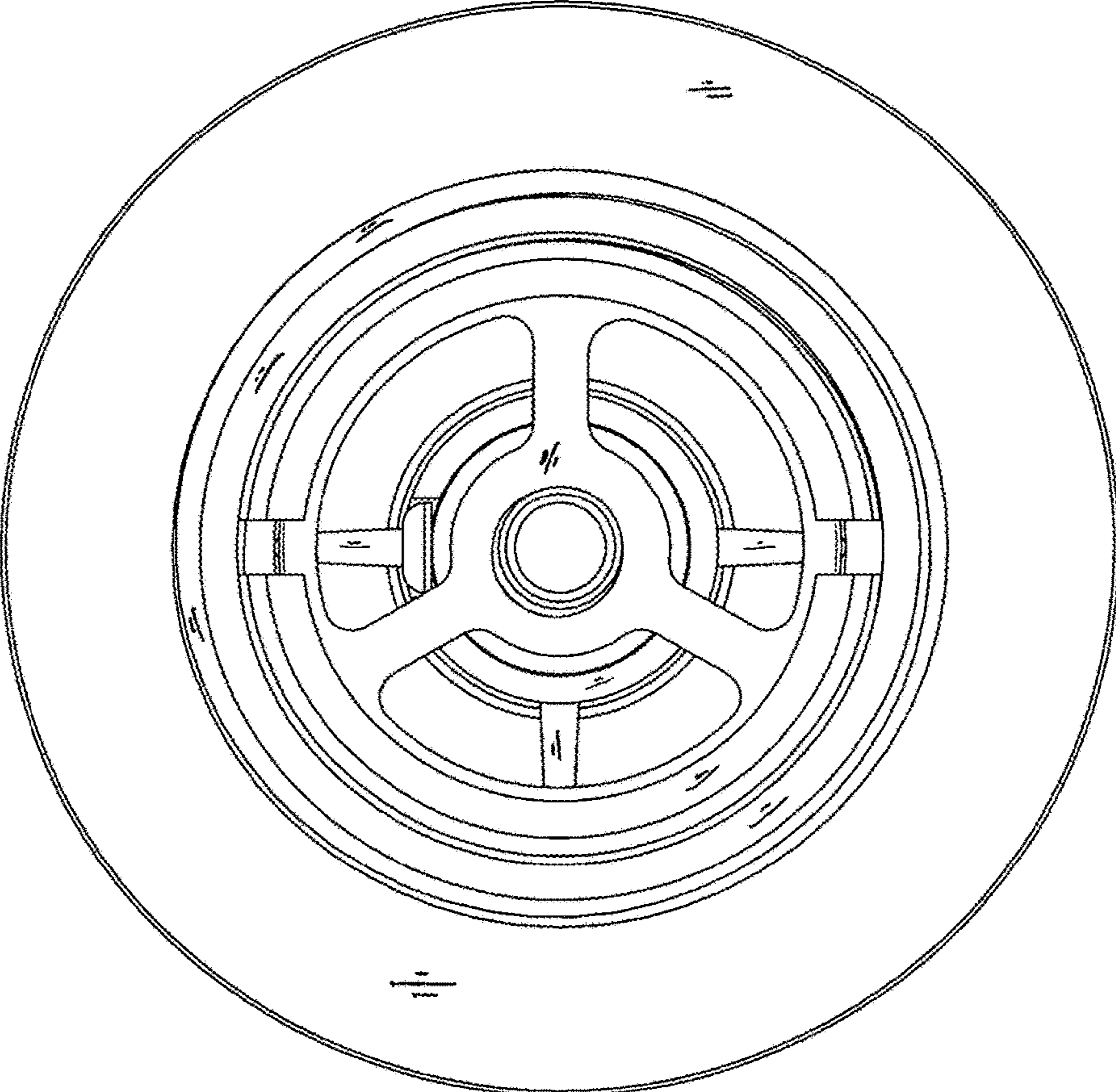


FIG. 8

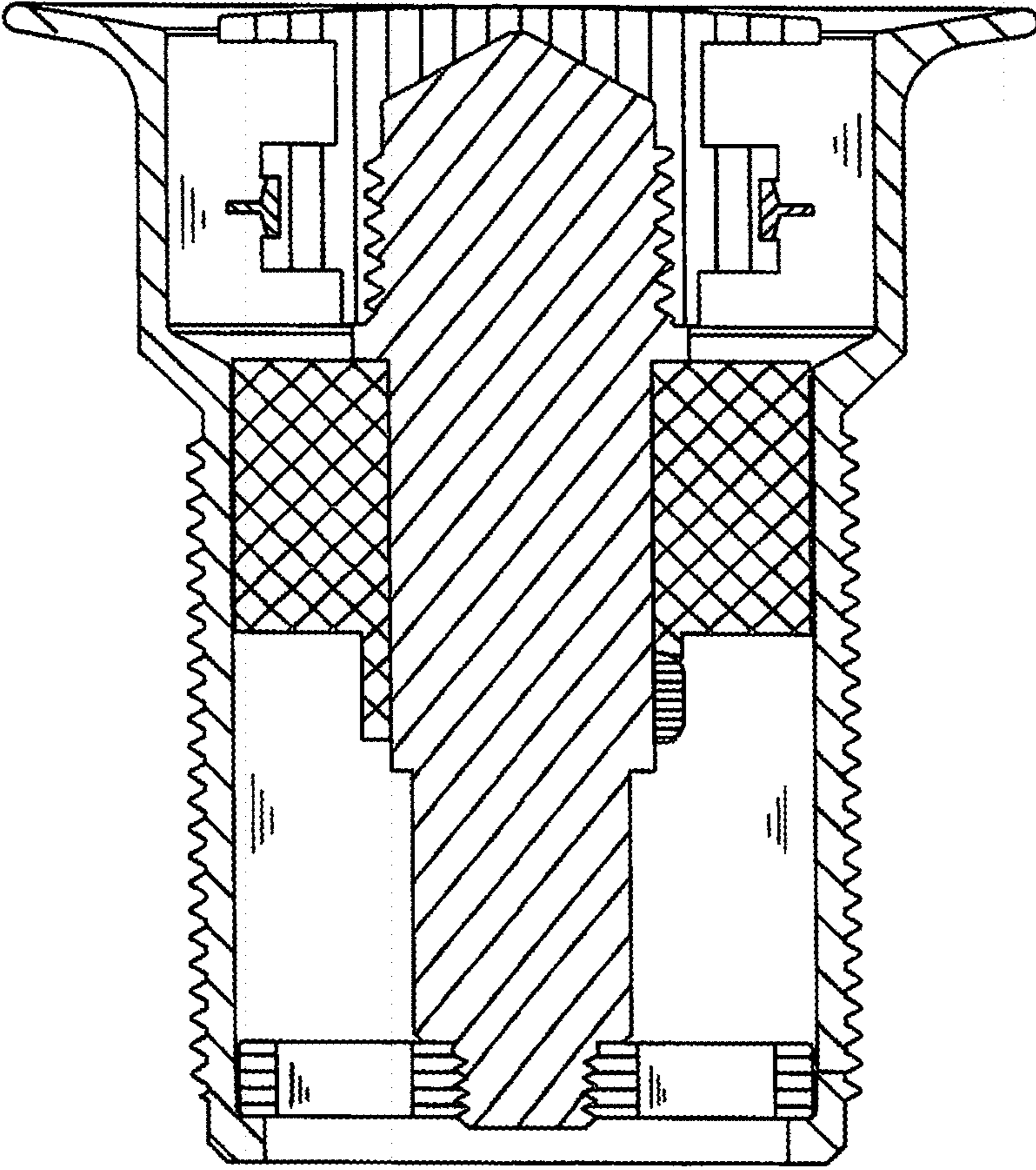


FIG. 9

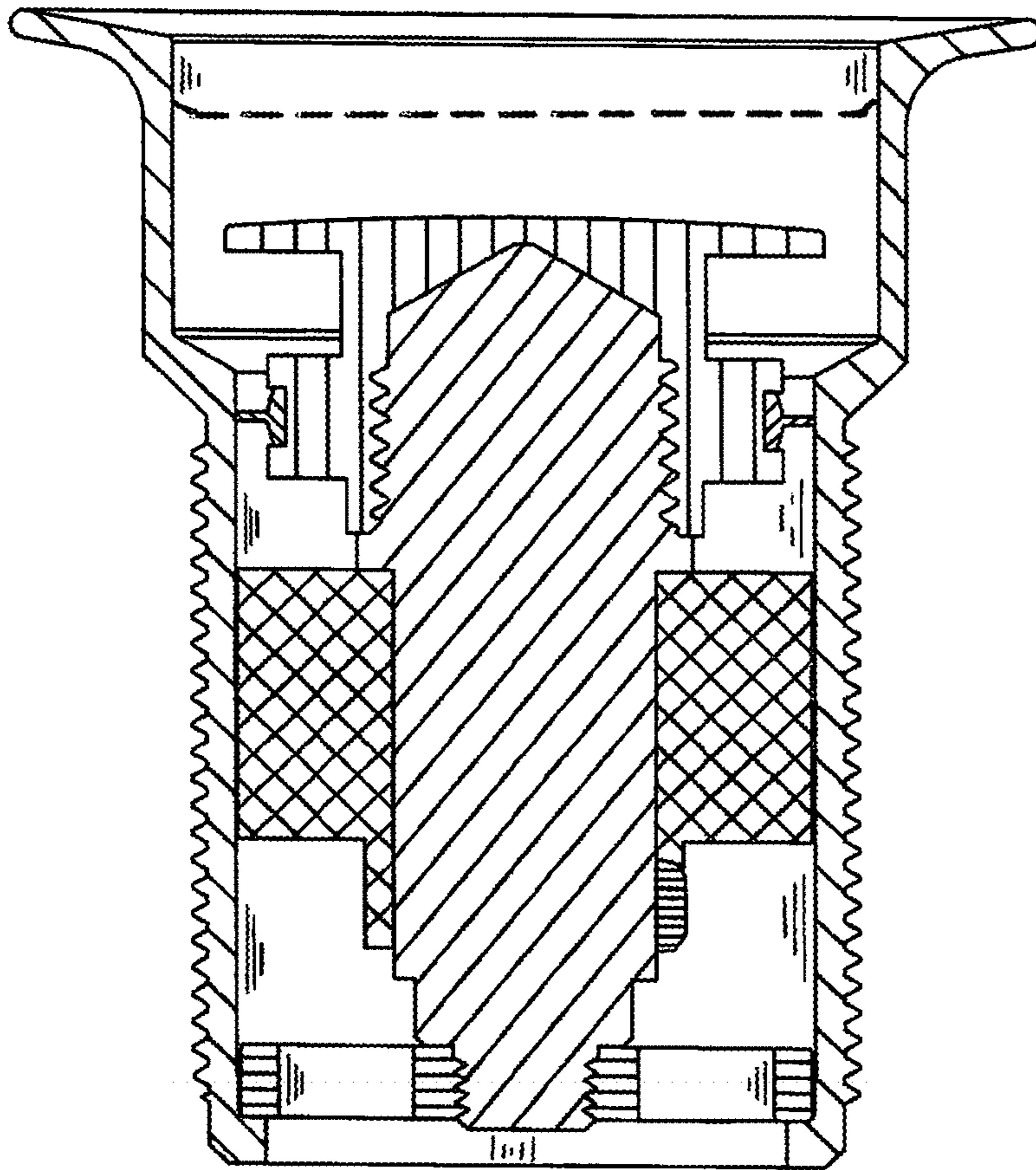


FIG. 10