



US00D817459S

(12) **United States Design Patent**  
**Schoenherr et al.**

(10) **Patent No.:** **US D817,459 S**  
(45) **Date of Patent:** **\*\* May 8, 2018**

(54) **SHOWER CONTROL PANEL**  
(71) Applicant: **HANSGROHE SE**, Schiltach (DE)  
(72) Inventors: **Tom Schoenherr**, Stuttgart (DE);  
**Matthias Oesterle**, Winterbach (DE)  
(73) Assignee: **Hansgrohe SE**, Schiltach (DE)  
(\*\*) Term: **15 Years**

D700,287 S \* 2/2014 Schoenherr ..... D23/239  
D705,401 S \* 5/2014 Schoenherr ..... D23/254  
D746,422 S \* 12/2015 Schoenherr ..... D23/304  
D764,028 S \* 8/2016 Schoenherr ..... D23/254

(21) Appl. No.: **29/588,107**  
(22) Filed: **Dec. 19, 2016**

**FOREIGN PATENT DOCUMENTS**

EM 001759432-0015 9/2010  
EM 001759432-0018 9/2010  
EM 001759432-0020 9/2010  
EM 001976416-0007 1/2012  
EM 002334011-0005 10/2013  
EM 002334011-0014 10/2013

(30) **Foreign Application Priority Data**  
Jun. 21, 2016 (EM) ..... 003231604-0011  
(51) **LOC (11) Cl.** ..... **23-01**  
(52) **U.S. Cl.**  
USPC ..... **D23/254**  
(58) **Field of Classification Search**  
USPC ..... D23/238-243, 249-250, 252, 254, 304;  
D8/353  
CPC ..... Y10T 137/9464  
See application file for complete search history.

\* cited by examiner

*Primary Examiner* — Robert A Delehanty  
(74) *Attorney, Agent, or Firm* — Lora J. Graentzdoerffer

(57) **CLAIM**  
The ornamental design for a shower control panel, as shown and described.

(56) **References Cited**  
**U.S. PATENT DOCUMENTS**  
D509,564 S \* 9/2005 Jorgensen ..... D23/238  
D618,082 S \* 6/2010 Lambrou ..... D8/353

**DESCRIPTION**

FIG. 1 is a perspective view;  
FIG. 2 is a front elevation view;  
FIG. 3 is a rear elevation view;  
FIG. 4 is a right side elevation view;  
FIG. 5 is a left side elevation view;  
FIG. 6 is a top plan view; and,  
FIG. 7 is a bottom plan view.  
The broken lines indicate portions of the shower control panel that form no part of the claimed design.

**1 Claim, 7 Drawing Sheets**

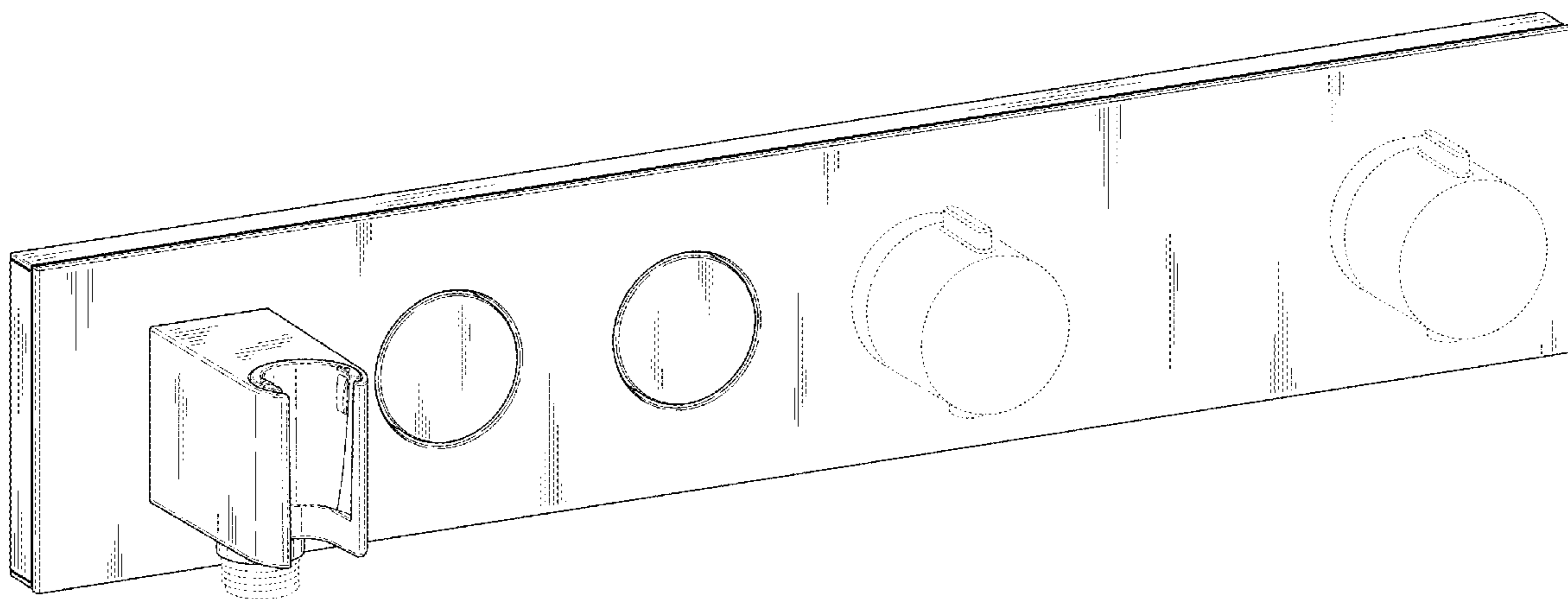


FIG. 1

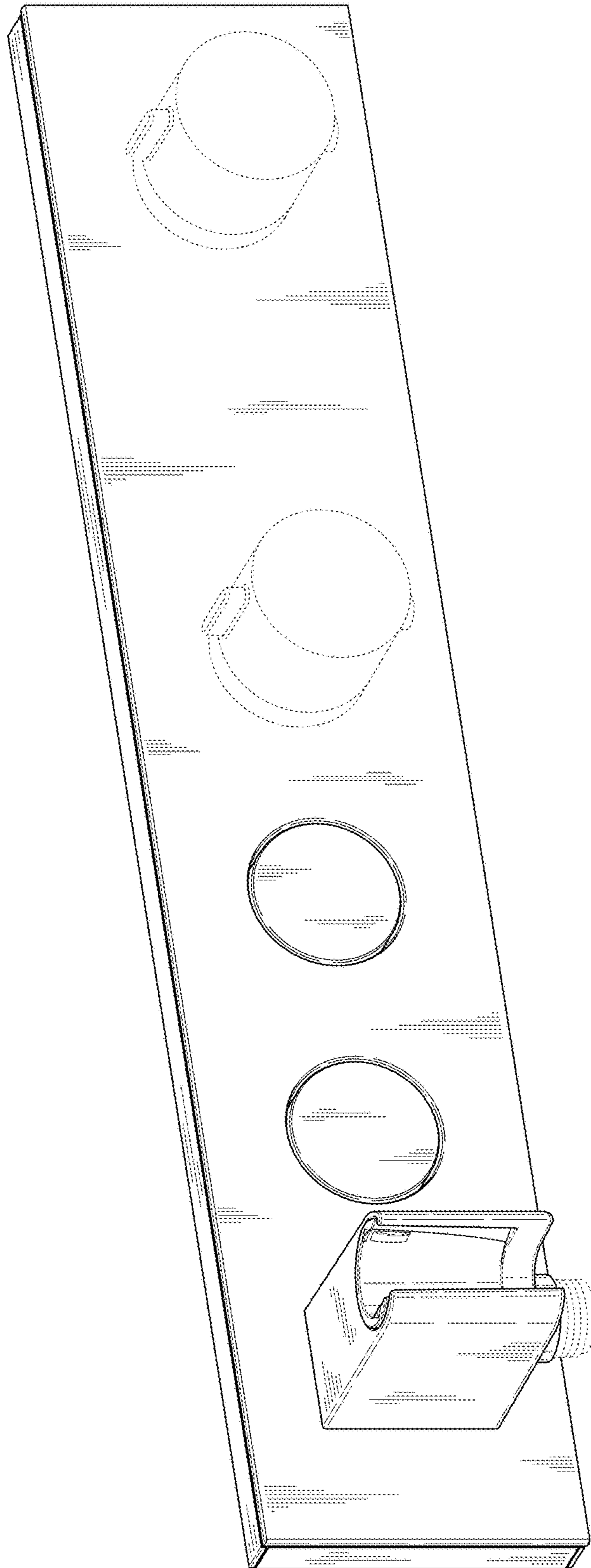


FIG. 2

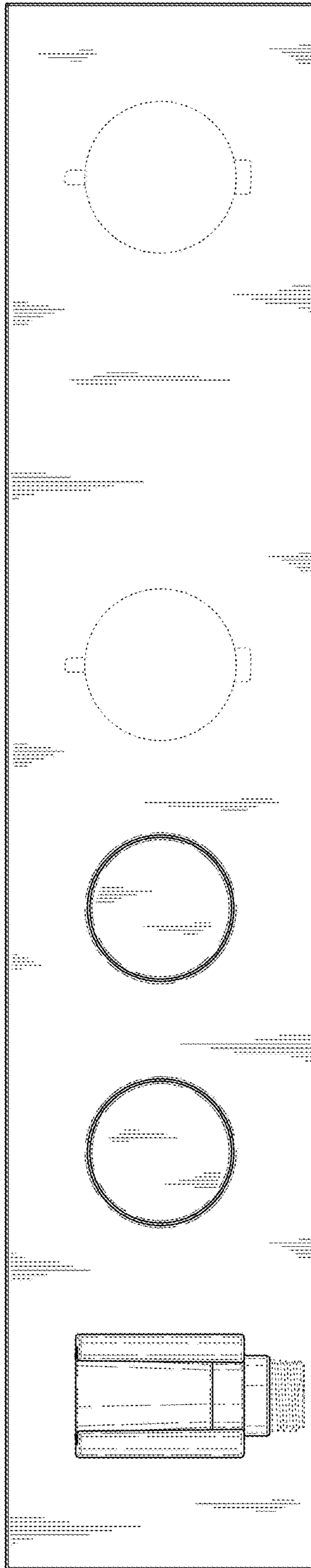


FIG. 3

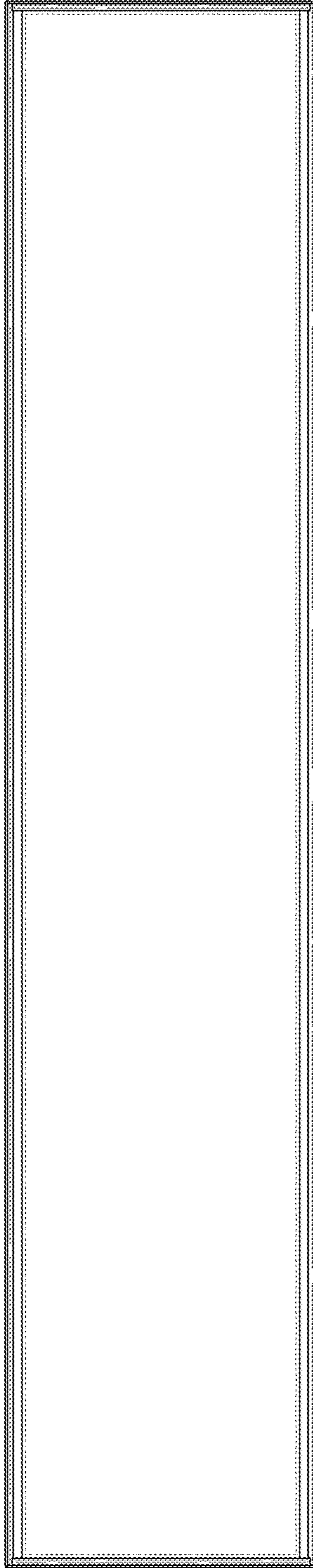


FIG. 4

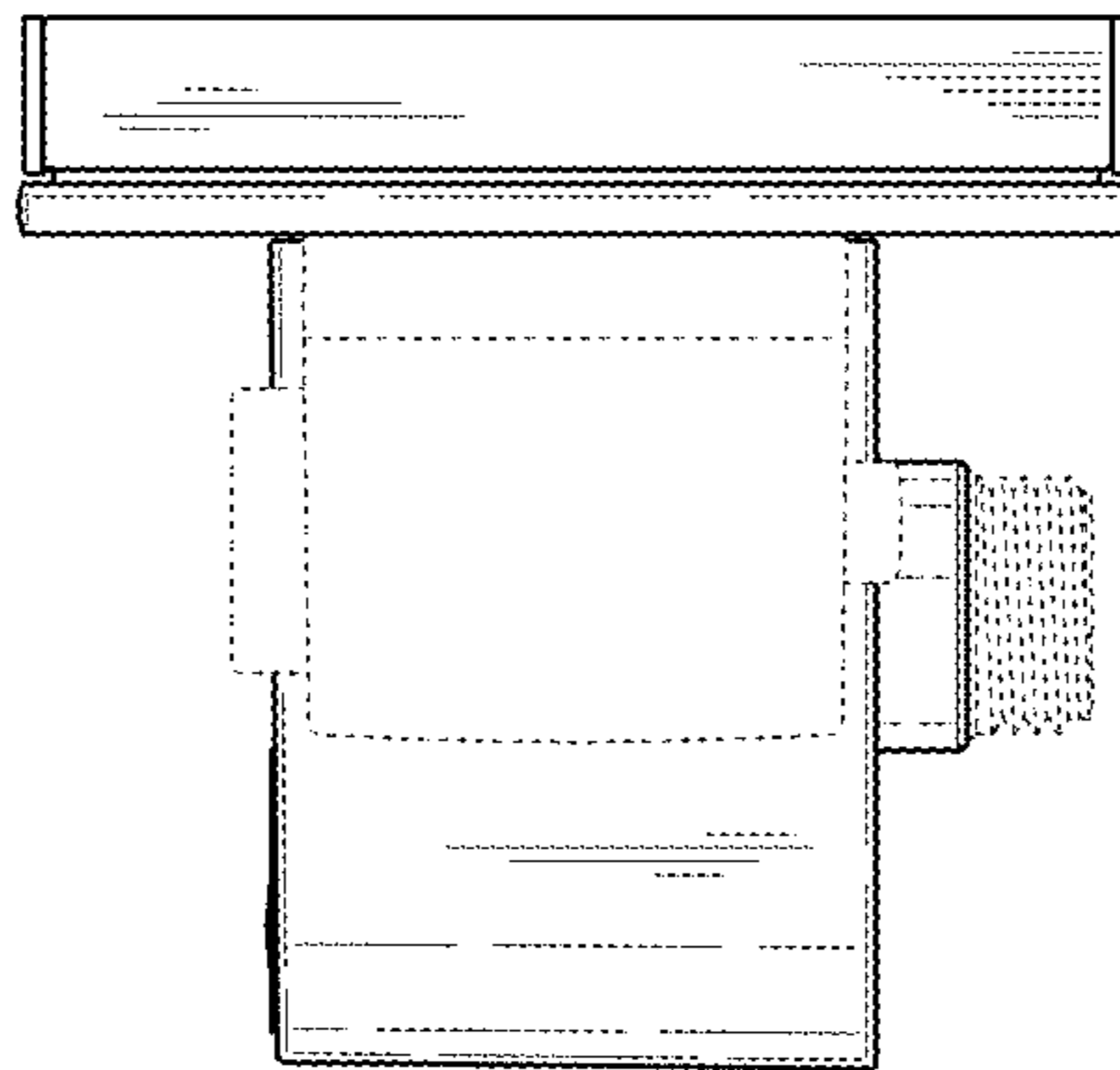


FIG. 5

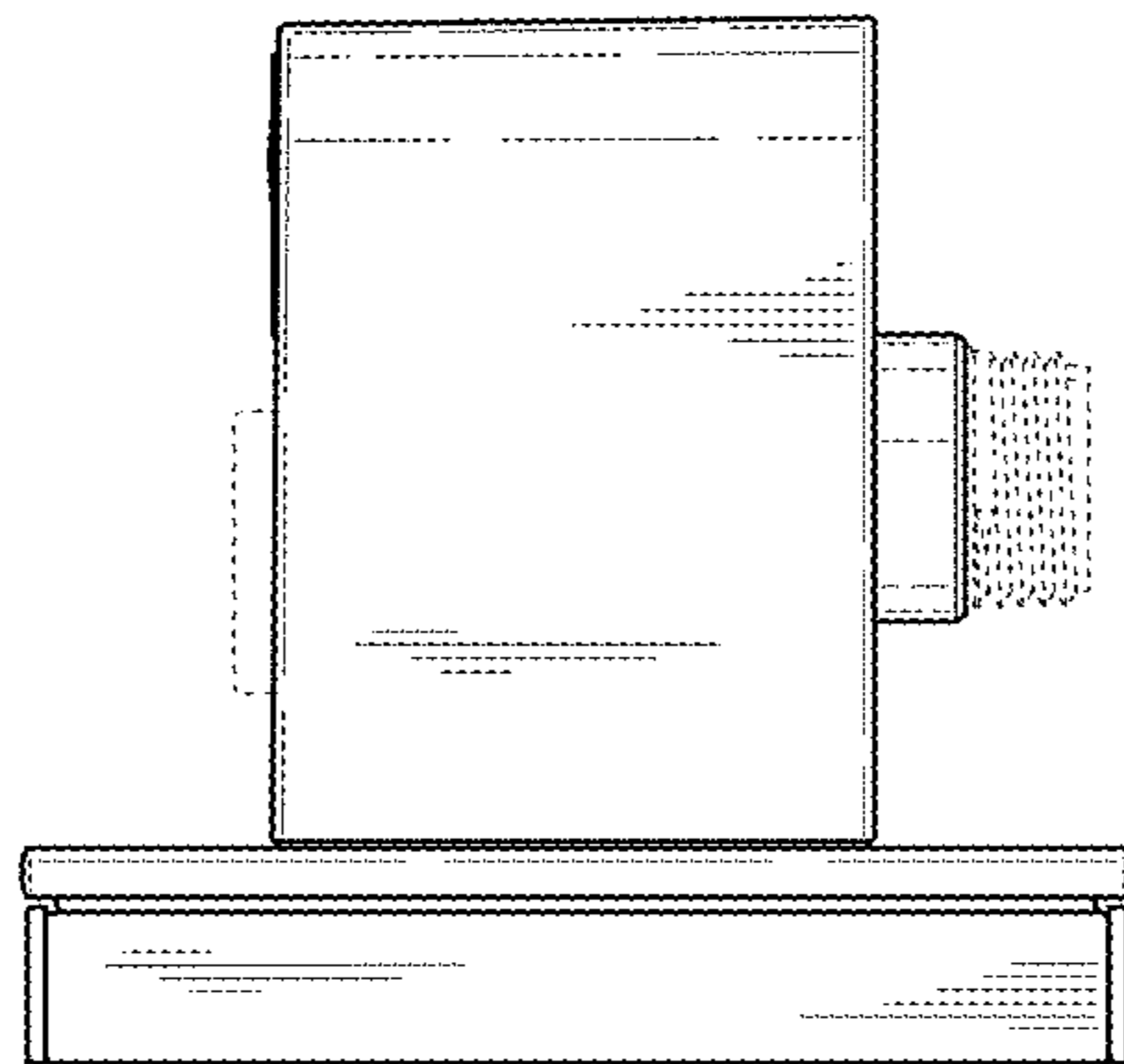


FIG. 6

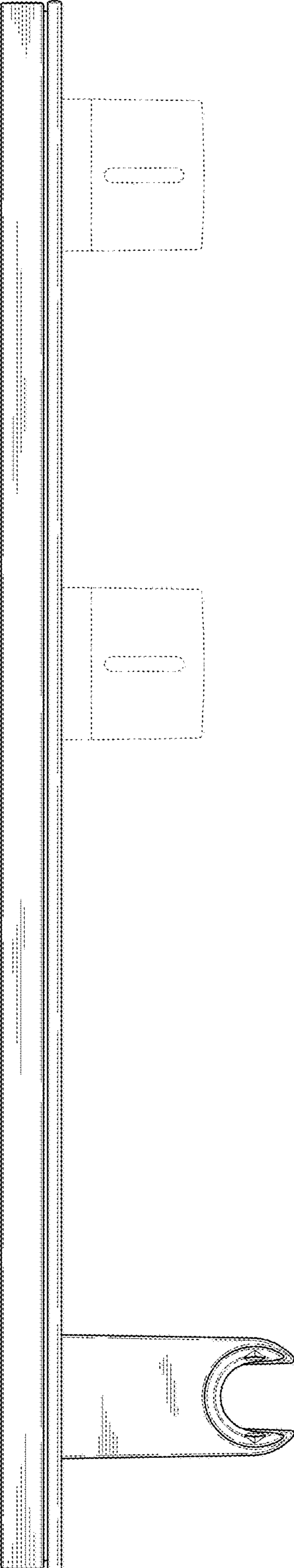


FIG. 7

