



US00D817455S

(12) **United States Design Patent**
Bergum

(10) **Patent No.:** **US D817,455 S**

(45) **Date of Patent:** **** May 8, 2018**

(54) **FLOAT FOR A LIQUID LEVEL SWITCH**

(71) Applicant: **S.J. Electro Systems, Inc.**, Detroit Lakes, MN (US)

(72) Inventor: **Alan J. Bergum**, Detroit Lakes, MN (US)

(73) Assignee: **S. J. Electro Systems, Inc.**, Detroit Lakes, MN (US)

(**) Term: **15 Years**

(21) Appl. No.: **29/584,371**

(22) Filed: **Nov. 14, 2016**

(51) **LOC (11) Cl.** **23-01**

(52) **U.S. Cl.**
USPC **D23/249**

(58) **Field of Classification Search**
USPC 417/40, 41, 423.3; 137/409, 398, 558,
137/131, 135, 202, 15.26; D15/7;
D23/233, 236, 249; 441/1, 6; D22/146;
200/84 R, 84 A, 84 B, 84 C; 4/400;
D13/158, 173, 199
CPC F16K 31/20; F16K 24/044; F16K 24/046;
F16K 31/12; F16K 31/22; F16K 33/00;
B63B 22/00

See application file for complete search history.

(56) **References Cited**

U.S. PATENT DOCUMENTS

2,787,793 A * 4/1957 Crockett E03D 1/34
4/400
7,802,587 B1 * 9/2010 Ball E03F 5/22
137/15.26

D627,438 S * 11/2010 Cox D23/236
D791,629 S * 7/2017 Haworth D23/249
2004/0229530 A1 * 11/2004 Gotell A01K 75/04
441/1
2013/0327625 A1 * 12/2013 Davis H01H 35/186
200/84 C
2015/0332882 A1 * 11/2015 Bergum H01H 35/186
200/84 R

* cited by examiner

Primary Examiner — Cynthia Ramirez

Assistant Examiner — Gino Colan

(74) *Attorney, Agent, or Firm* — Dicke, Billig & Czaja, PLLC

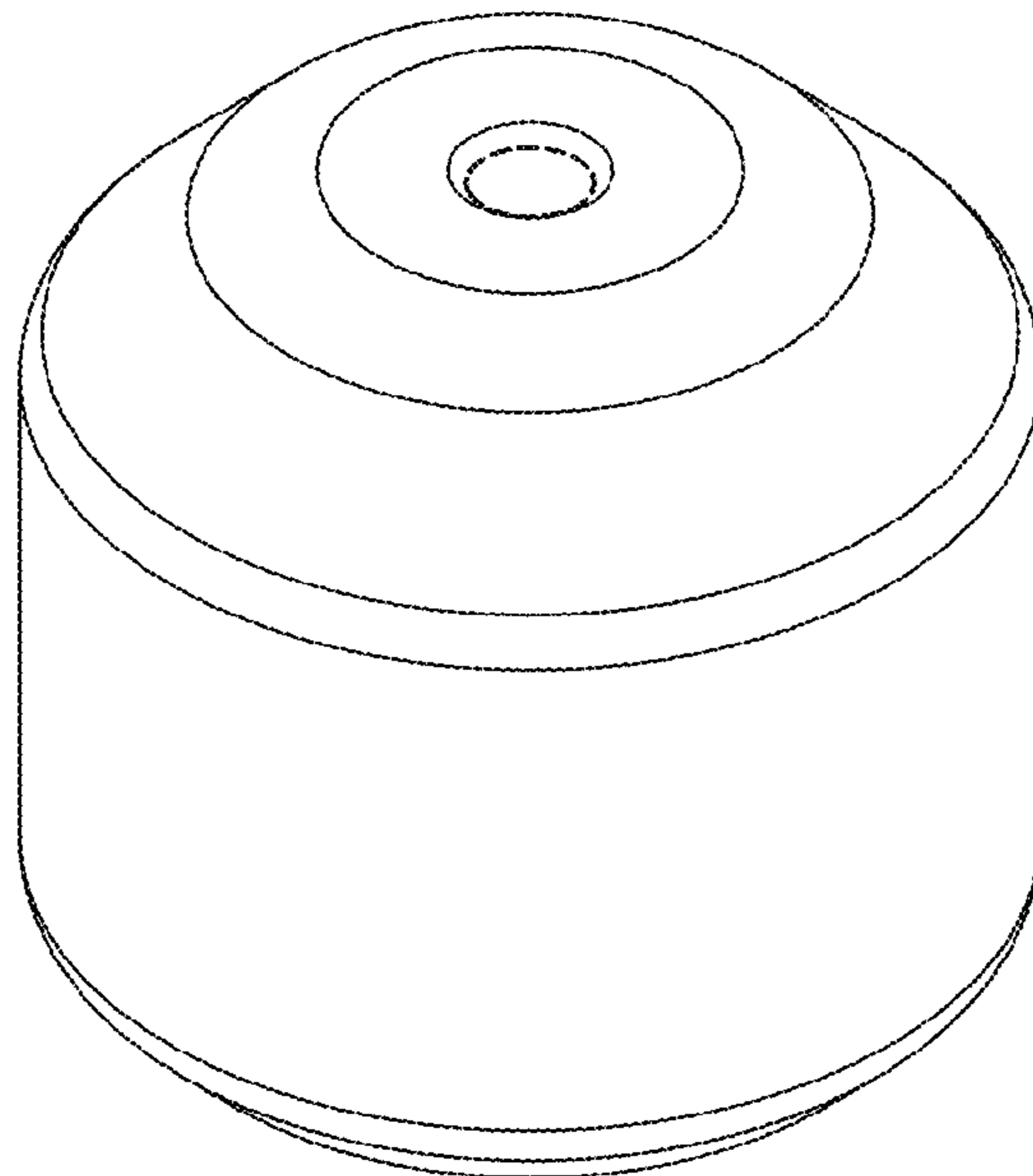
(57) **CLAIM**

The ornamental design for a float for a liquid level switch, as shown and described.

DESCRIPTION

FIG. 1 is a top perspective view of a float for a liquid level switch showing my new design;
FIG. 2 is a bottom perspective view thereof;
FIG. 3 is a side elevation view thereof;
FIG. 4 is a top plan view thereof; and,
FIG. 5 is a bottom plan view thereof.
The broken lines in the drawings are included for the purpose of illustrating environment and form no part of the claimed design.

1 Claim, 5 Drawing Sheets



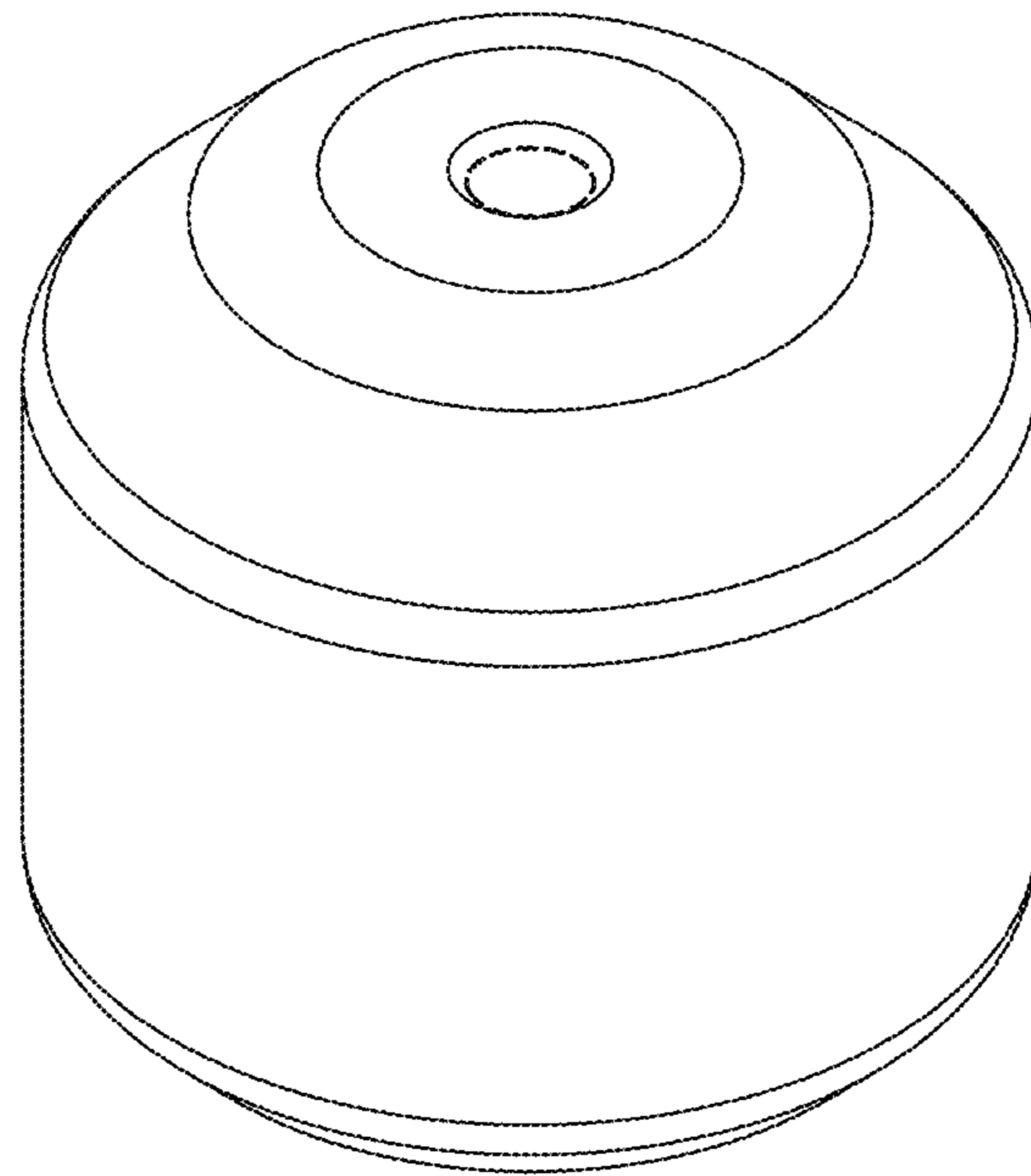


FIG. 1

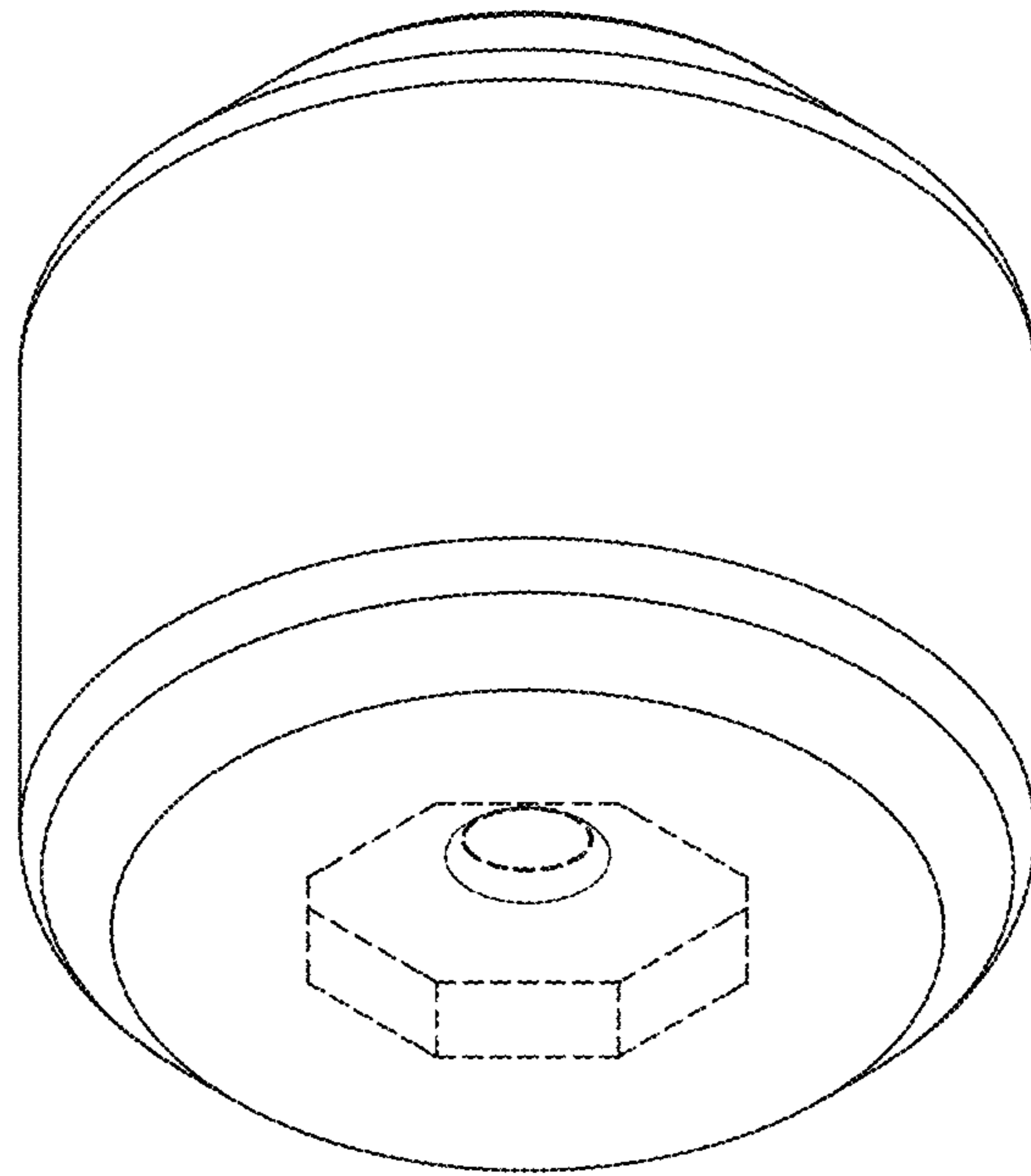


FIG. 2

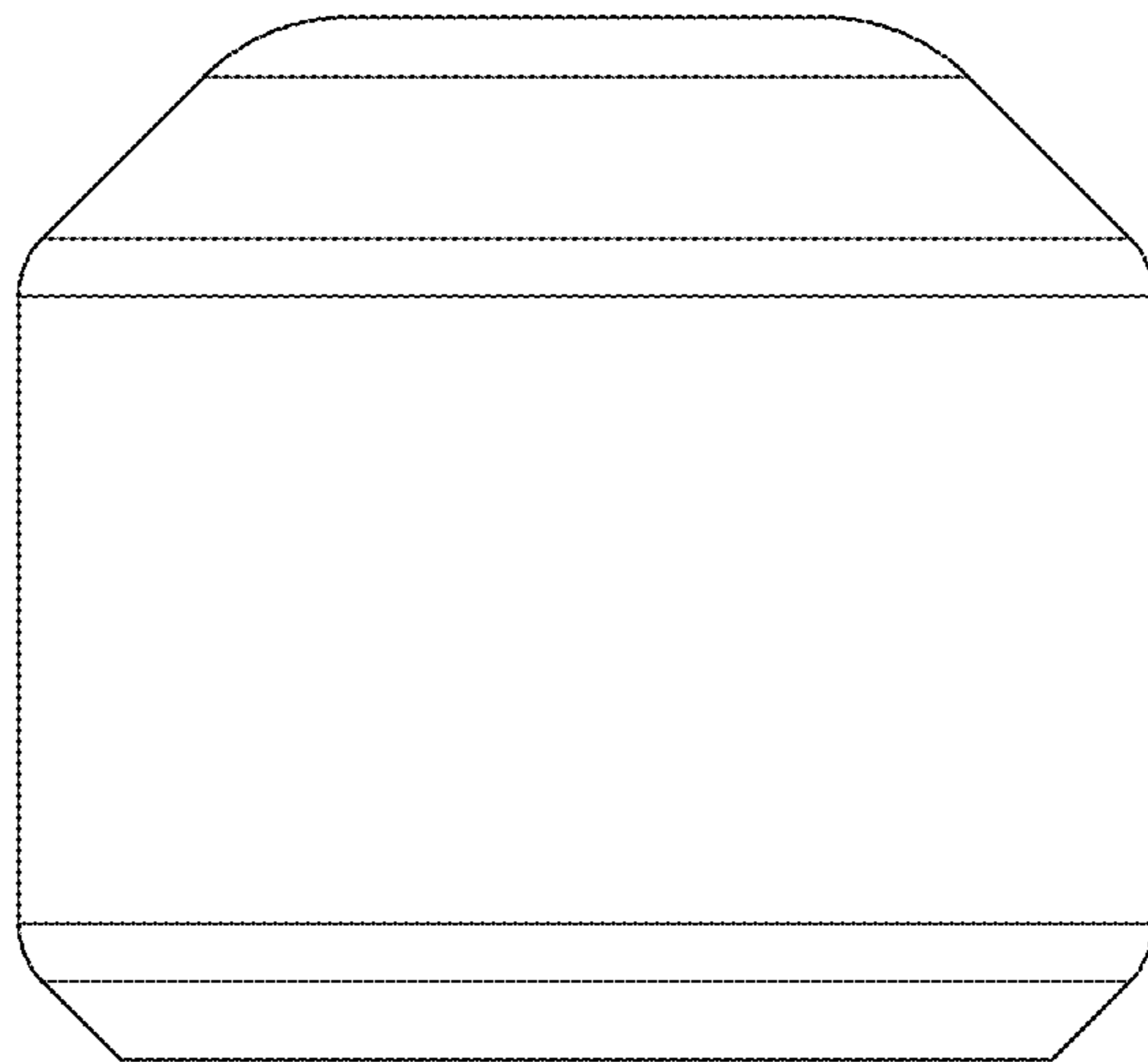


FIG 3

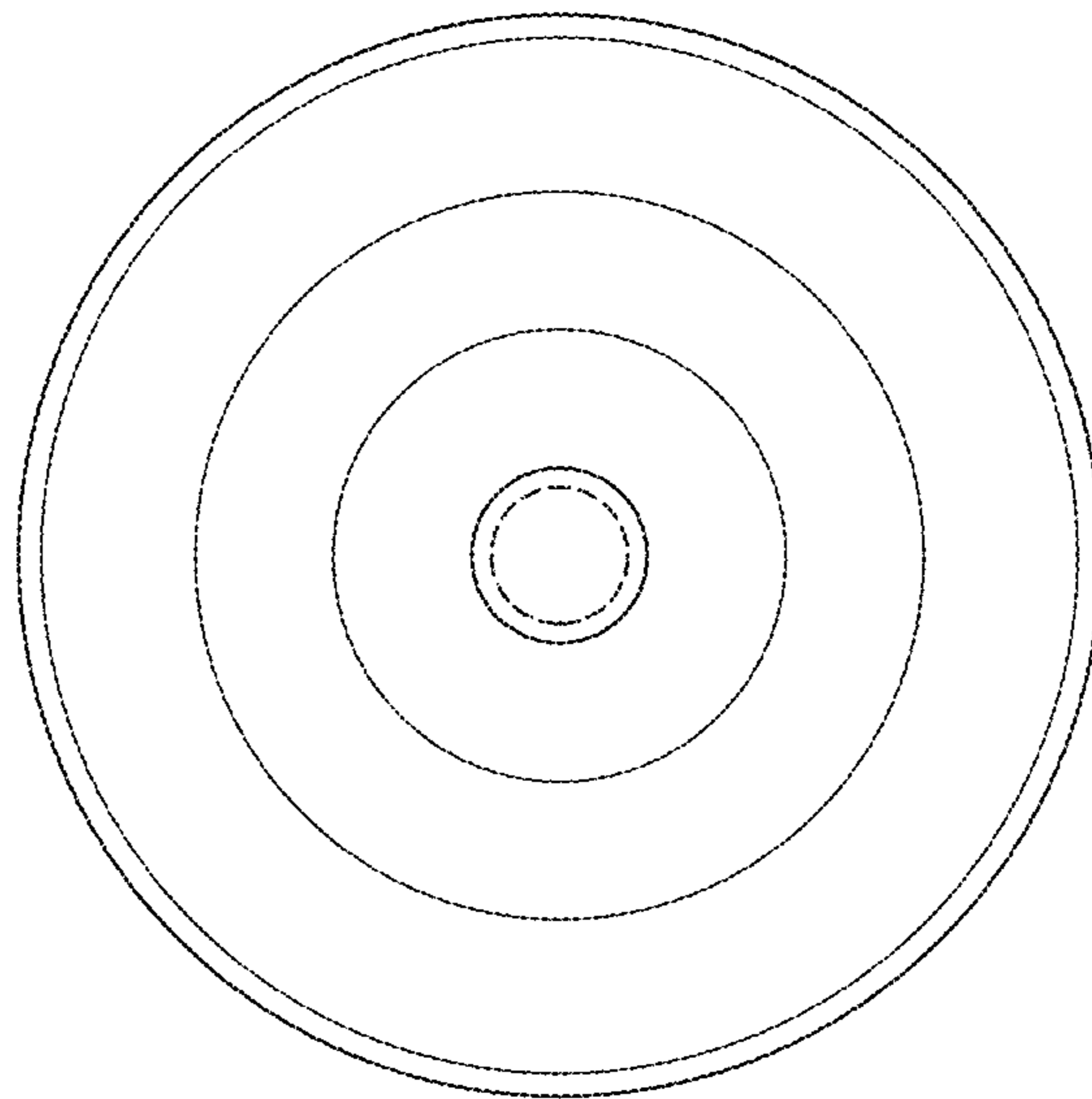


FIG. 4

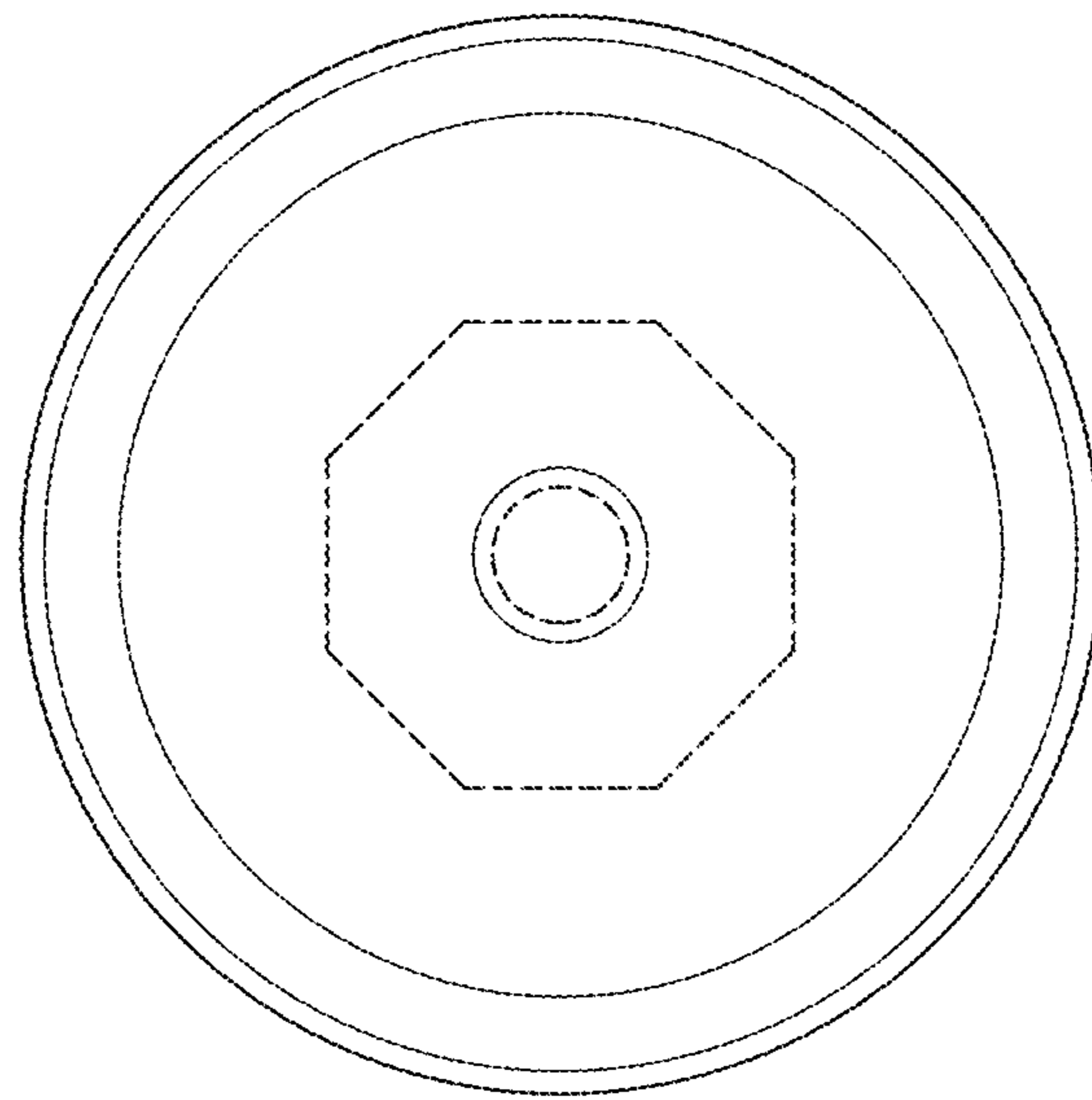


FIG. 5