



US00D817454S

(12) **United States Design Patent**
Sato

(10) **Patent No.:** **US D817,454 S**
(45) **Date of Patent:** **** May 8, 2018**

(54) **BALL VALVE**

(71) Applicant: **ASAHI YUKIZAI CORPORATION,**
Nobeoka-shi, Miyazaki (JP)

(72) Inventor: **Yukinobu Sato,** Nobeoka (JP)

(73) Assignee: **ASAHI YUKIZAI CORPORATION,**
Miyazaki (JP)

(**) Term: **15 Years**

(21) Appl. No.: **29/571,191**

(22) Filed: **Jul. 15, 2016**

(30) **Foreign Application Priority Data**

Jan. 28, 2016 (JP) 2016-001757

(51) **LOC (11) Cl.** **23-02**

(52) **U.S. Cl.**
USPC **D23/245**

(58) **Field of Classification Search**
USPC D23/387, 354, 386, 393, 245, 233, 252
CPC .. F24F 7/00; F24F 7/02; F16K 27/067; F16K
5/0605; E21B 2034/002; E21B 34/14
See application file for complete search history.

(56) **References Cited**

U.S. PATENT DOCUMENTS

D291,230 S * 8/1987 Kunz D23/245
D366,693 S * 1/1996 Gregor D23/245

D372,073 S * 7/1996 Ozaki D23/245
D455,474 S * 4/2002 Knobel D23/245
D522,618 S * 6/2006 Matsushita D23/233
D526,387 S * 8/2006 Bonomi D23/236
D603,480 S * 11/2009 Ibanez Sapina D23/233
D627,439 S * 11/2010 Mazzacano D23/252
D687,927 S * 8/2013 Ma D23/233
D721,786 S * 1/2015 Bisio D23/233
D723,660 S * 3/2015 Hatta D23/233

* cited by examiner

Primary Examiner — Charles Hanson

(74) *Attorney, Agent, or Firm* — Buchanan Ingersoll & Rooney PC

(57) **CLAIM**

The ornamental design for a ball valve, as shown and described.

DESCRIPTION

FIG. 1 is a perspective view of a ball valve showing my new design;
FIG. 2 is a front view thereof;
FIG. 3 is a rear view thereof;
FIG. 4 is a left side view thereof;
FIG. 5 is a right side view thereof;
FIG. 6 is a top plan view thereof; and,
FIG. 7 is a bottom plan view thereof.

1 Claim, 5 Drawing Sheets

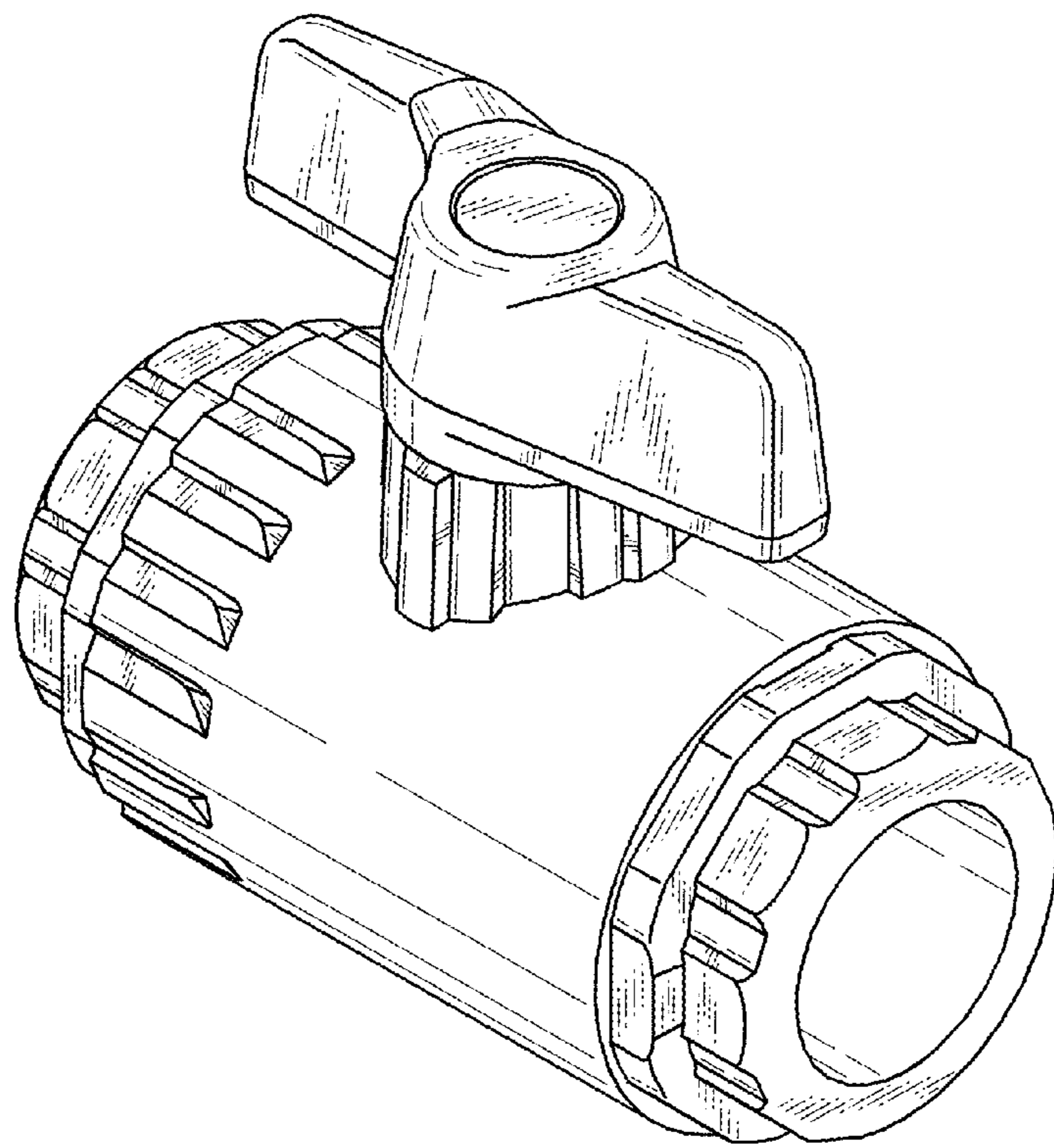


FIG. 1

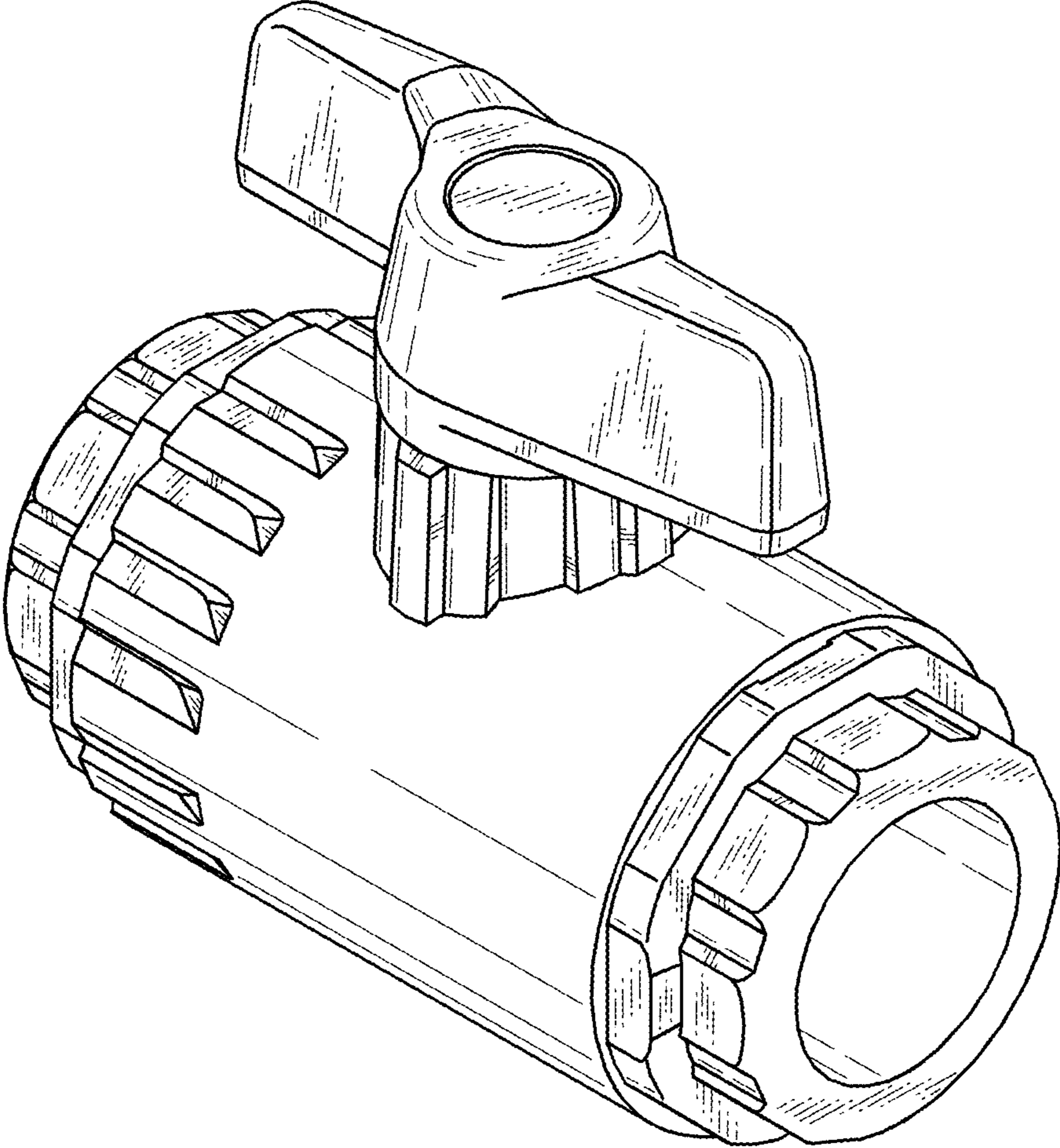


FIG. 2

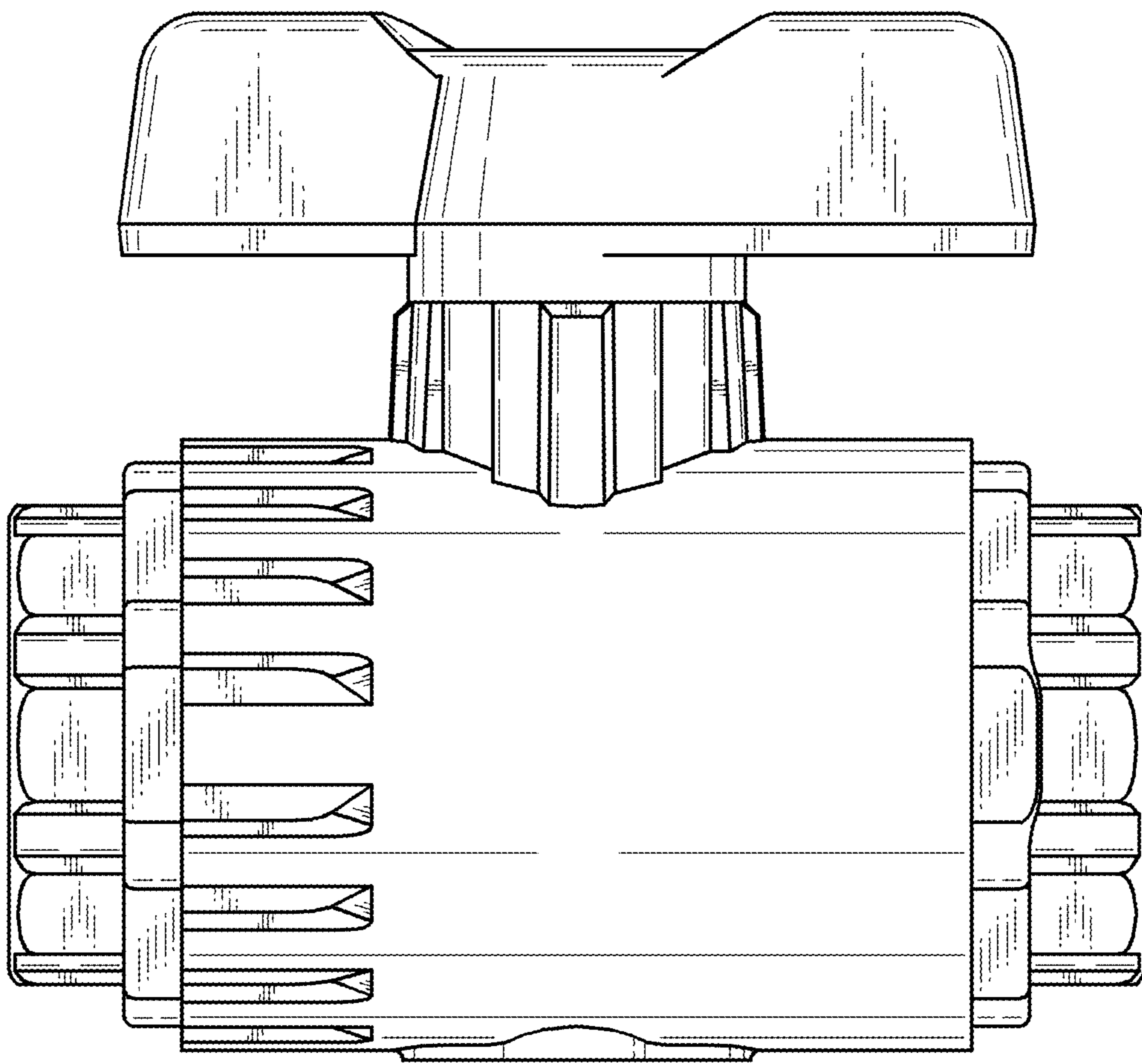


FIG. 3

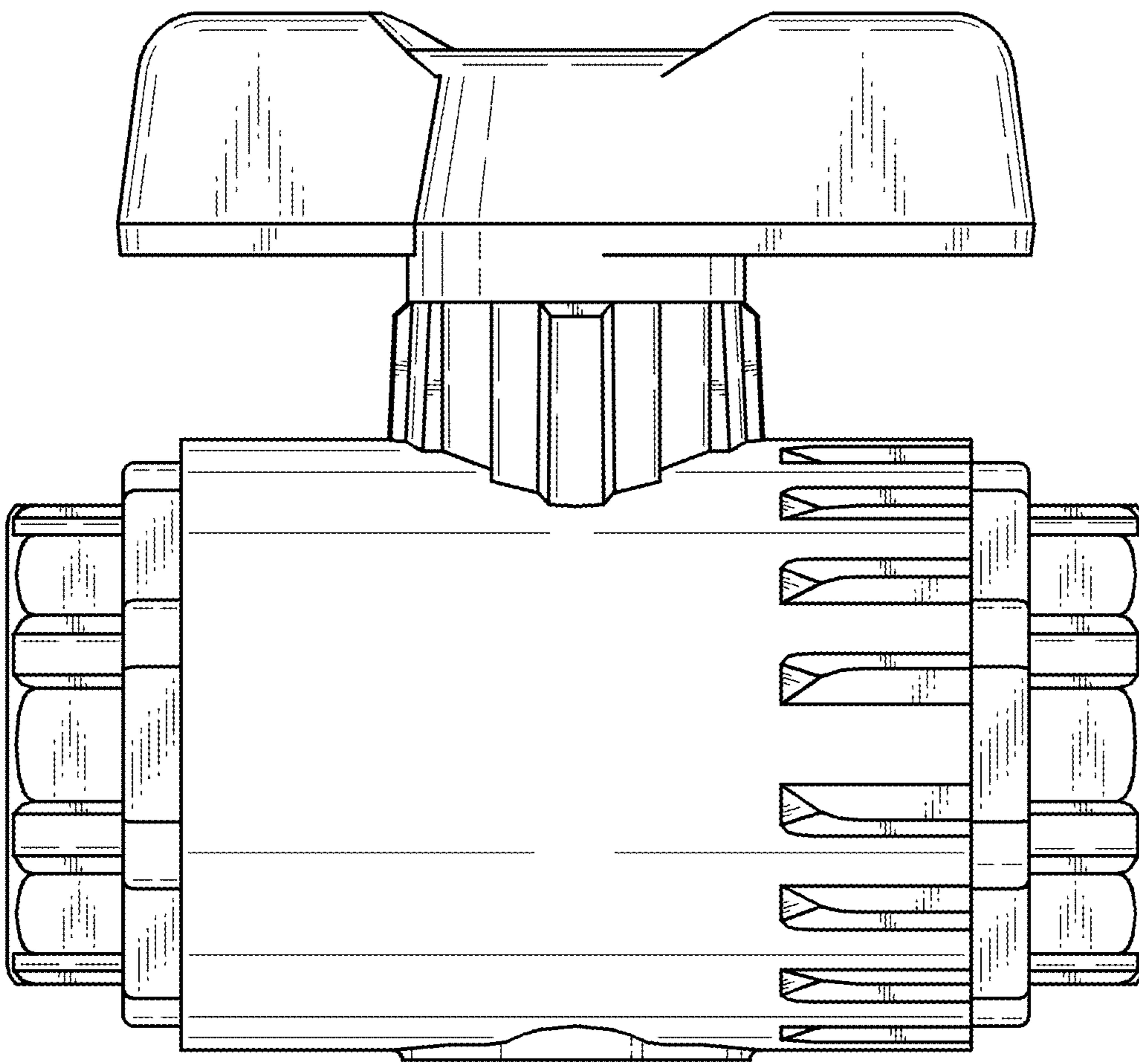


FIG. 4

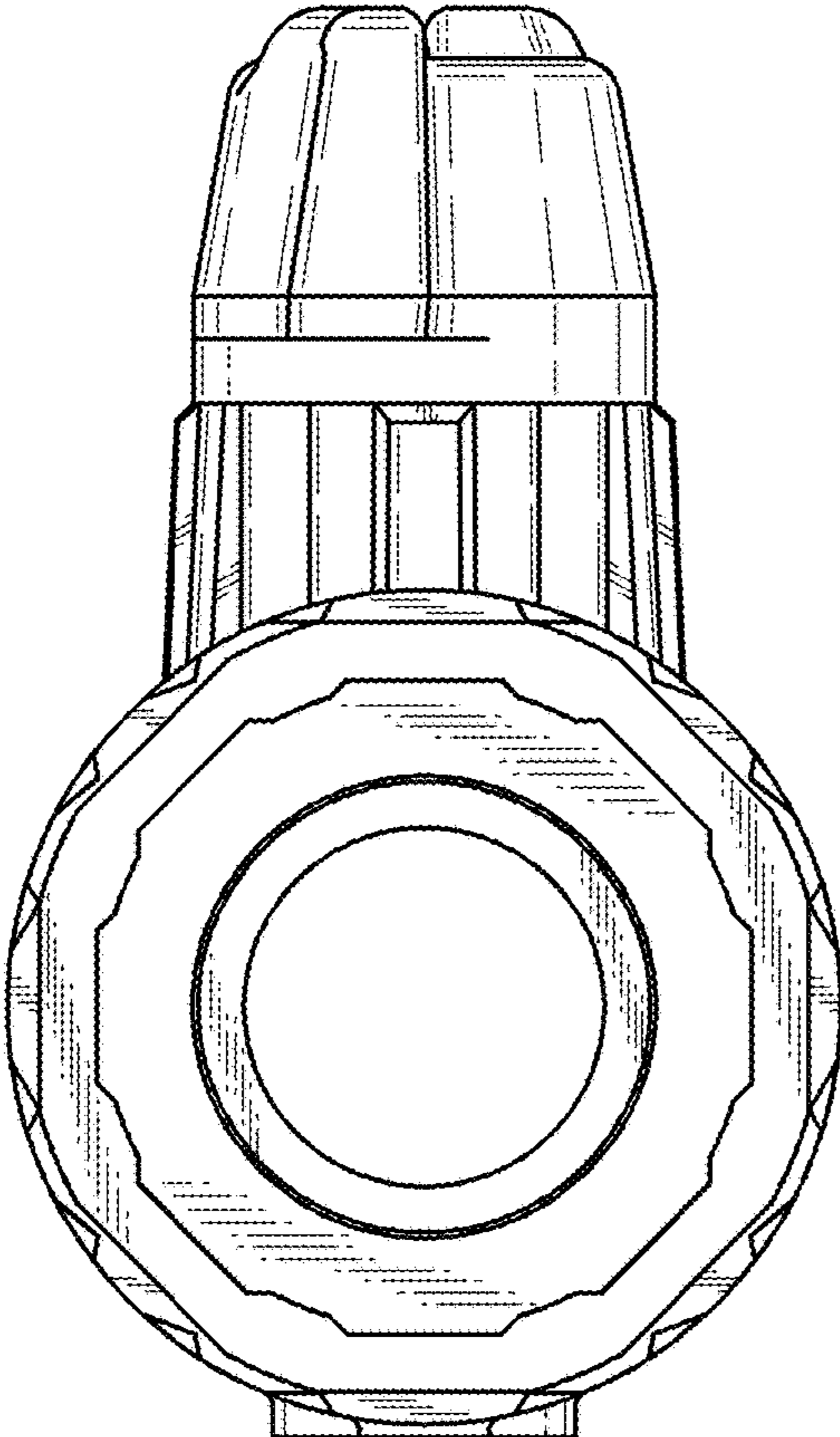


FIG. 5

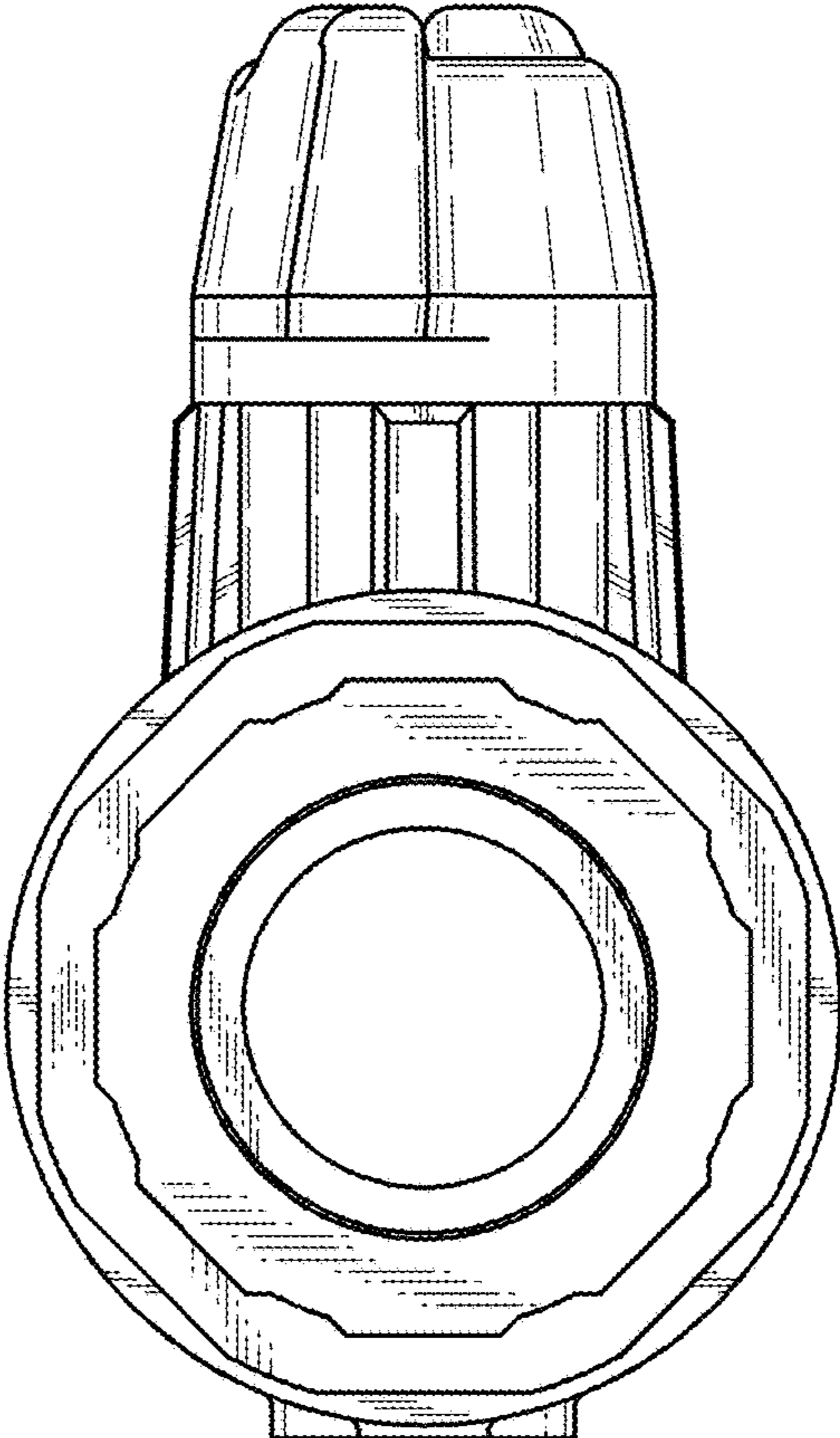


FIG. 6

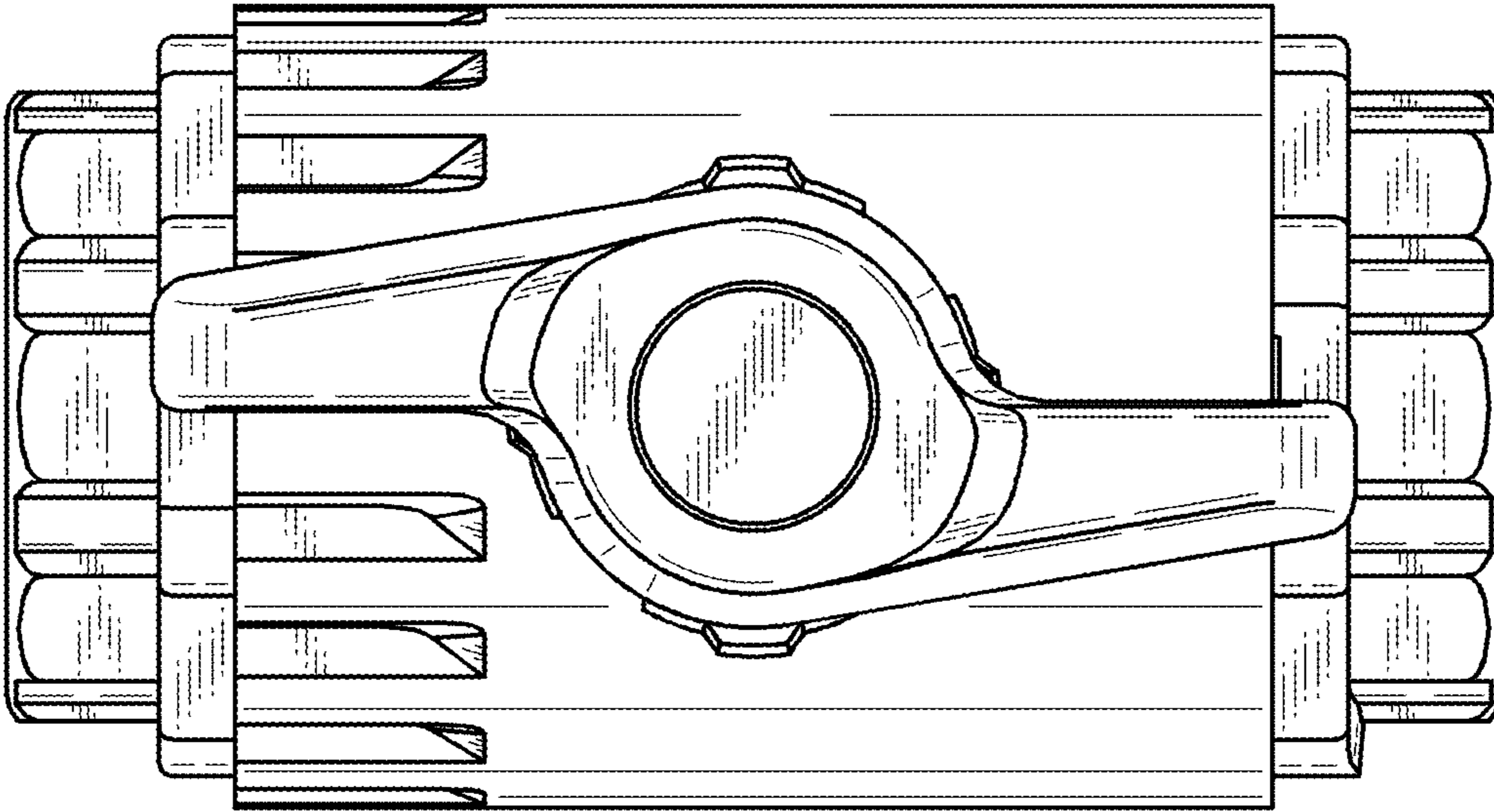


FIG. 7

