



US00D817452S

(12) **United States Design Patent**
Ravassa et al.

(10) **Patent No.:** **US D817,452 S**

(45) **Date of Patent:** **** May 8, 2018**

(54) **FAUCET**

(71) Applicant: **AS IP Holdco, LLC**, Piscataway, NJ
(US)

(72) Inventors: **Gabriela Ravassa**, Brooklyn, NY (US);
Jean-Jacques L'Henaff, New Canaan,
CT (US)

(73) Assignee: **AS IP Holdco, LLC**, Piscataway, NJ
(US)

(**) Term: **15 Years**

(21) Appl. No.: **29/590,298**

(22) Filed: **Jan. 9, 2017**

(51) **LOC (11) Cl.** **23-01**

(52) **U.S. Cl.**

USPC **D23/238**

(58) **Field of Classification Search**

USPC D23/238-243, 249-250, 252, 254-255,
D23/257; D8/307-308, 310

CPC Y10T 137/9464

See application file for complete search history.

(56) **References Cited**

U.S. PATENT DOCUMENTS

D662,181 S * 6/2012 Thun D23/238
D666,695 S * 9/2012 Kulig D23/238

D685,064 S * 6/2013 Yang D23/252
D692,536 S * 10/2013 Newson D23/238
D700,956 S * 3/2014 Schoenherr D23/238
D723,662 S * 3/2015 Downey D23/238
D723,901 S * 3/2015 Holtman D8/307

* cited by examiner

Primary Examiner — Robert A Delehanty

(74) *Attorney, Agent, or Firm* — Morrison & Foerster
LLP

(57) **CLAIM**

The ornamental design for a faucet, as shown and described.

DESCRIPTION

FIG. 1 is a front and right side perspective view of a faucet showing the new design;

FIG. 2 is a front elevational view thereof;

FIG. 3 is a rear elevational view thereof;

FIG. 4 is a right side elevational view thereof;

FIG. 5 is a left side elevational view thereof;

FIG. 6 is a top plan view thereof; and,

FIG. 7 is a bottom plan view thereof.

The features shown in broken lines form no part of the claimed design.

1 Claim, 5 Drawing Sheets

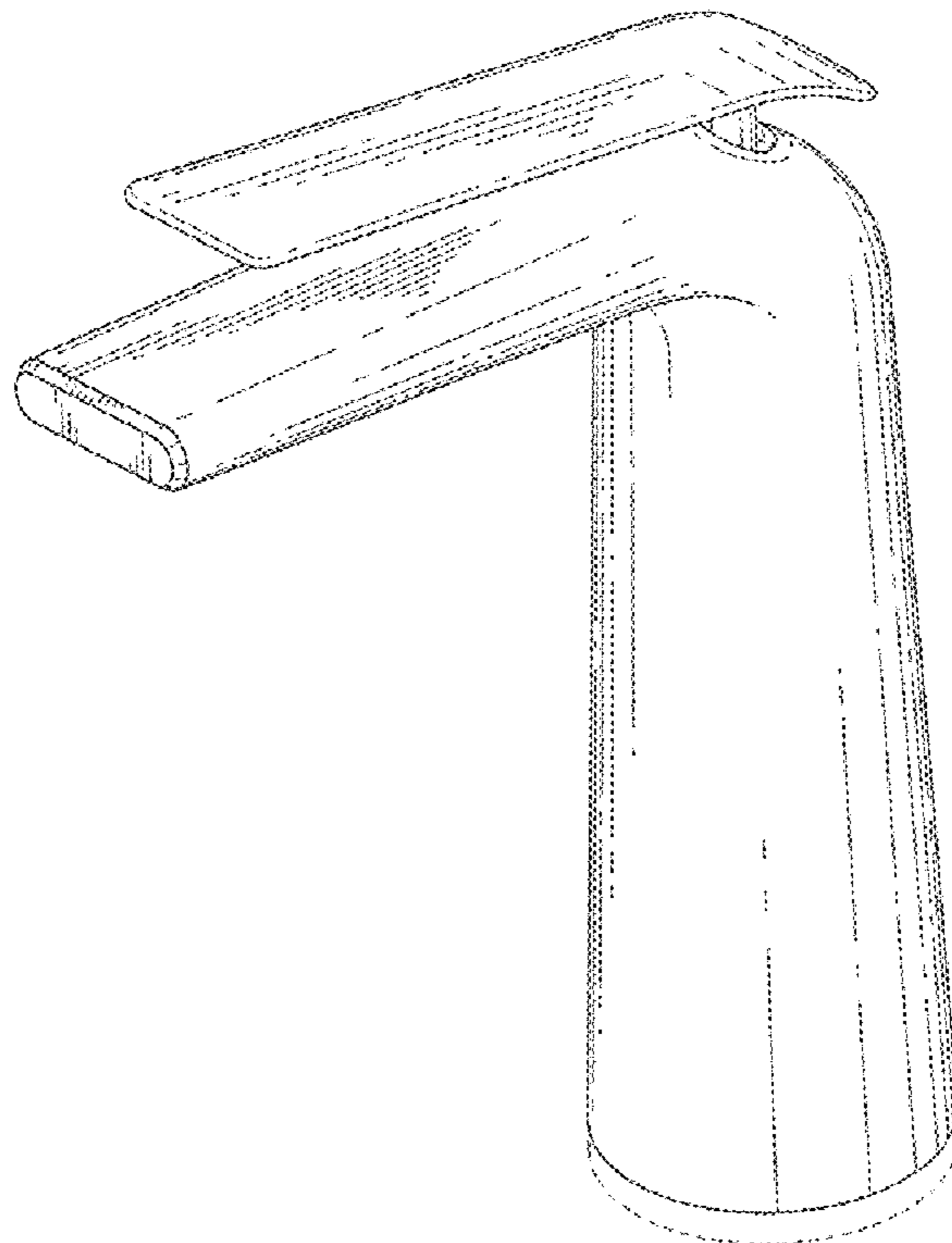


FIG. 1

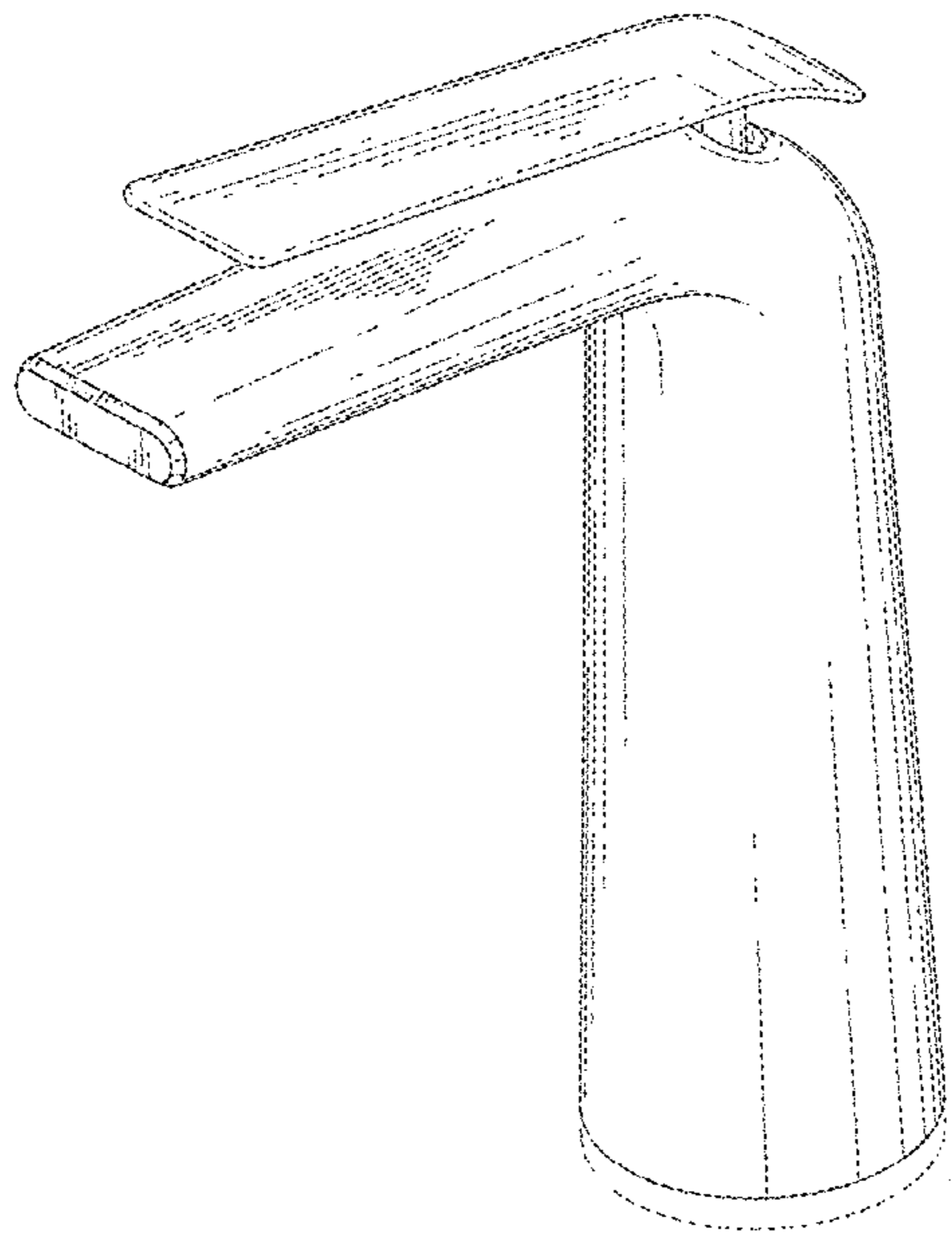


FIG. 2

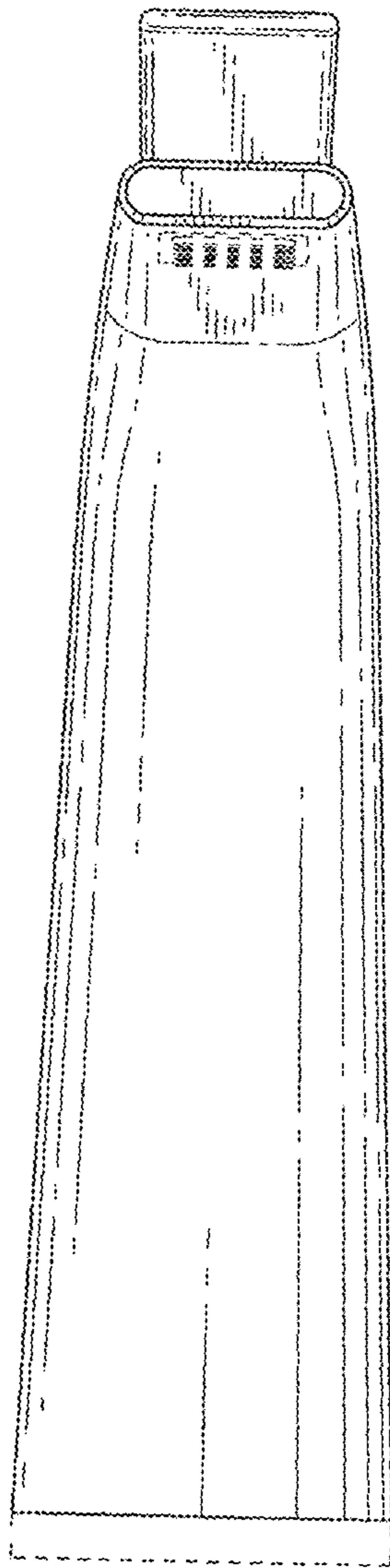


FIG. 3

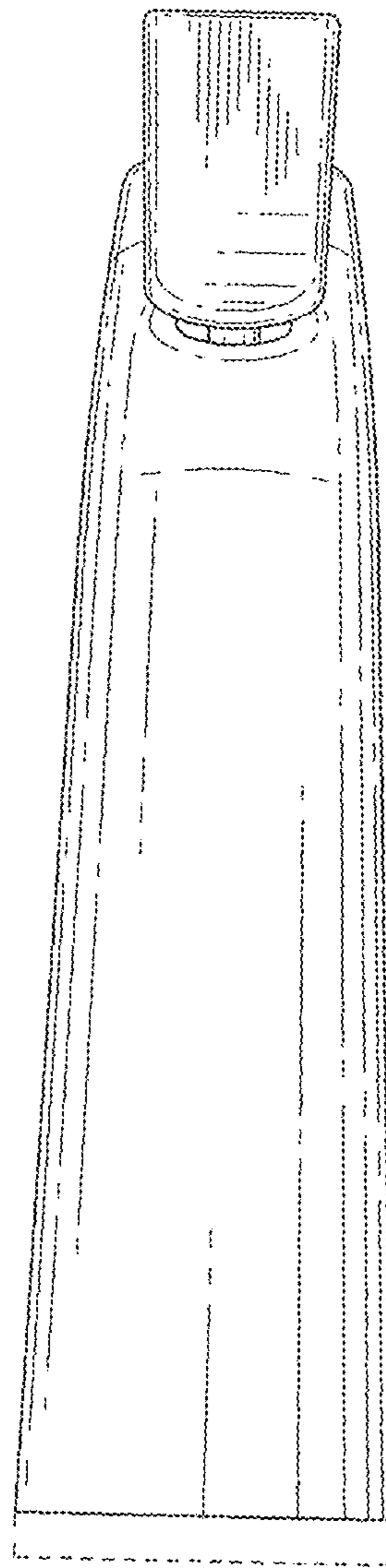


FIG. 4

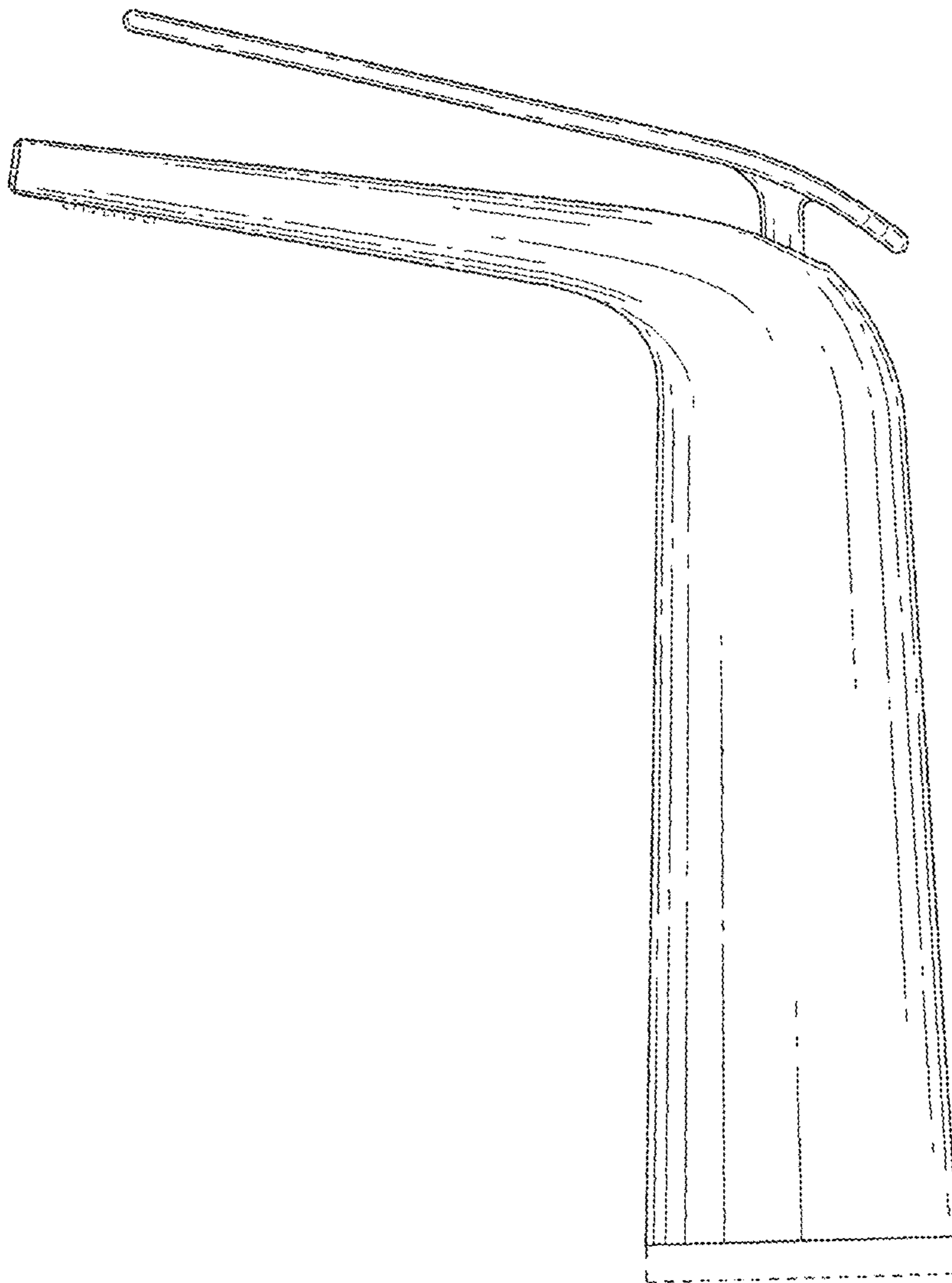


FIG. 5

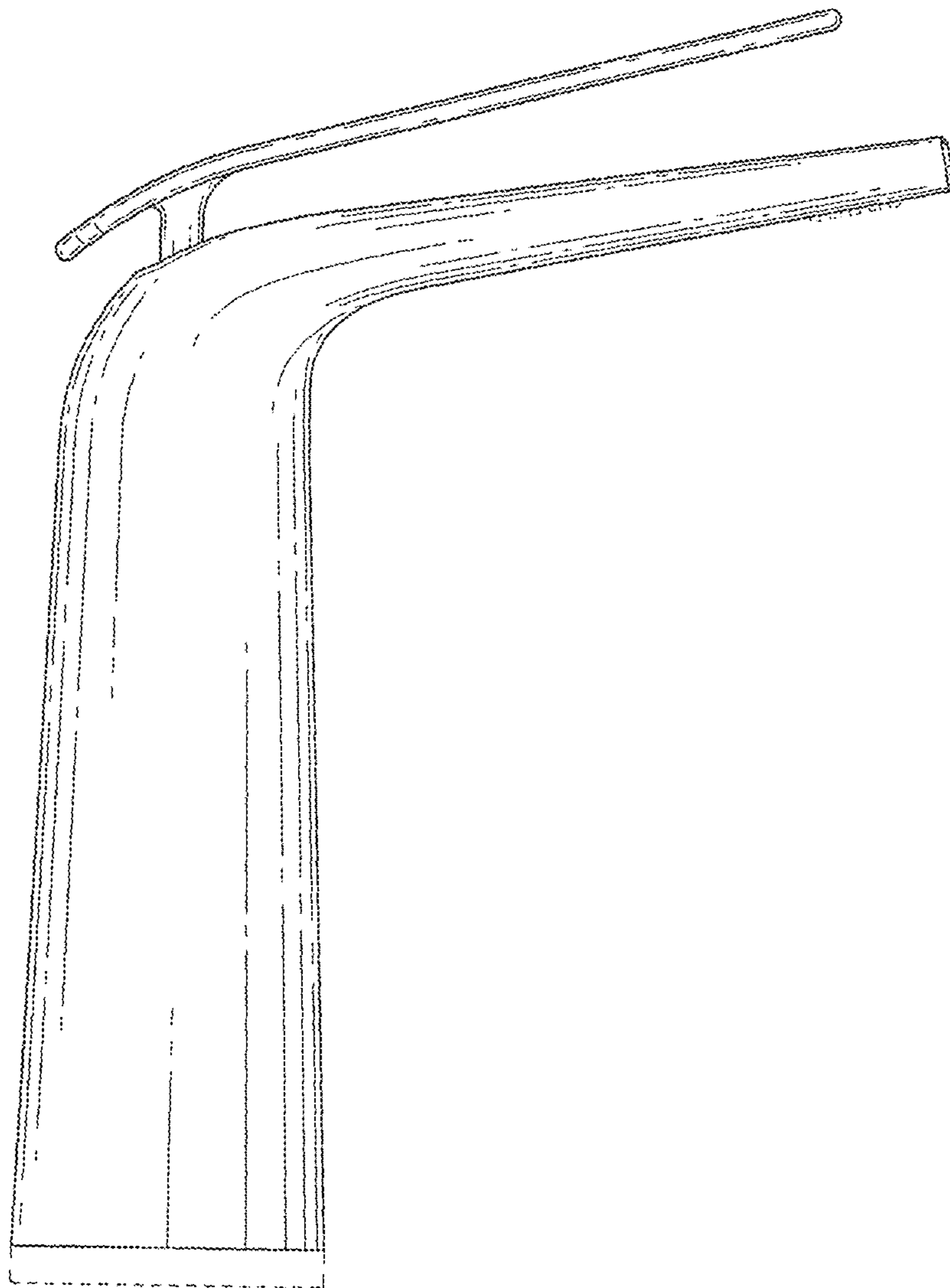


FIG. 7

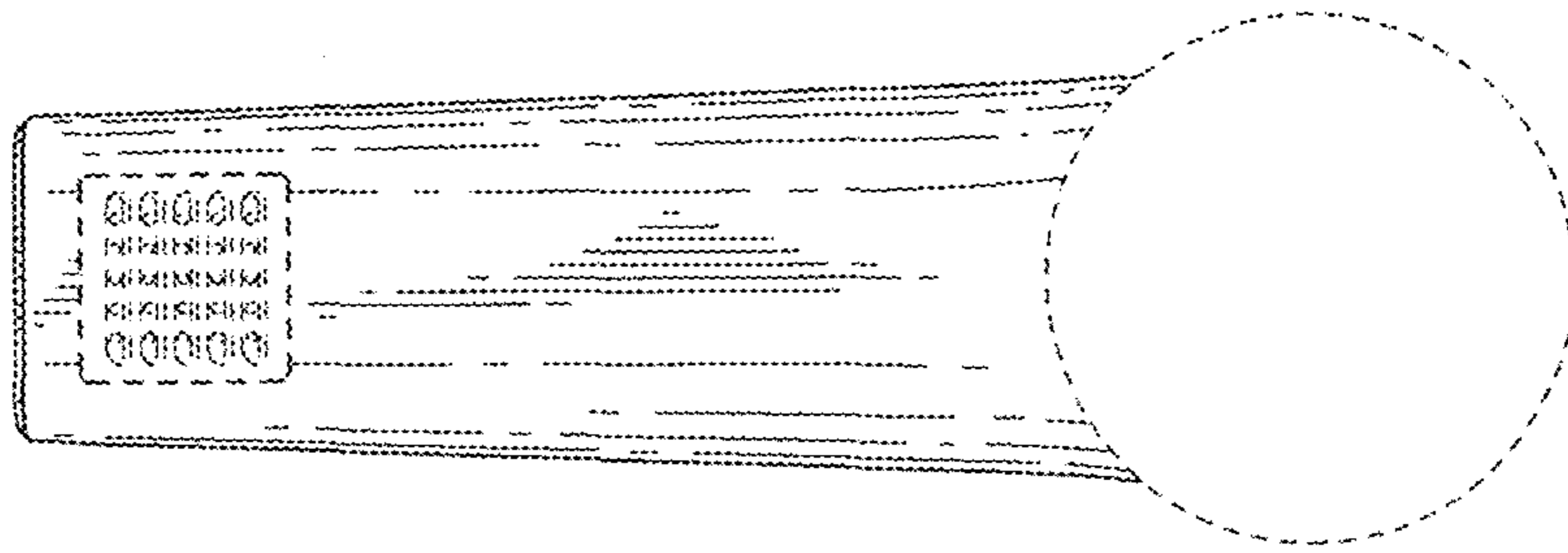


FIG. 6

