

US00D817450S

(12) **United States Design Patent** (10) **Patent No.:** **US D817,450 S**
Obermöller (45) **Date of Patent:** **** May 8, 2018**

(54) **VALVE**

FOREIGN PATENT DOCUMENTS

(71) Applicant: **Karl Dungs GmbH & Co. KG**,
Urbach (DE)

DE 102012202569 A1 * 8/2013 F01L 1/143
EM 002765309 A1 * 8/2014 F04B 1/063

(Continued)

(72) Inventor: **Nils Obermöller**, Schorndorf (DE)

OTHER PUBLICATIONS

(73) Assignee: **KARL DUNGS GMBH & CO. KG**,
Urbach (DE)

MultiBlock posted by Dungs posted date unknown, © Dungs
Combustion Control, [online], [site visited Aug. 31, 2017]. Avail-
able from Internet, [https://www.dungs.com/en/service/press-infor-
mation/](https://www.dungs.com/en/service/press-infor-
mation/).*

(**) Term: **15 Years**

(Continued)

(21) Appl. No.: **29/577,644**

(22) Filed: **Sep. 14, 2016**

(51) **LOC (11) Cl.** **23-01**

(52) **U.S. Cl.**
USPC **D23/233**; D13/118

(58) **Field of Classification Search**
USPC D23/233–237, 244–249; D13/118;
436/160; 422/51; D15/199, 5; 137/554,
137/557, 560, 882, 884, 269, 271, 343,
137/625.64; 251/12, 129.04, 219, 331,
251/30.01

CPC .. F01L 9/04; F01L 1/143; F04B 1/063; F16K
27/08; F16K 31/12; F16K 31/0675; F16K
31/1266; F16K 31/007; F16K 31/0679

See application file for complete search history.

Primary Examiner — Cynthia Ramirez

Assistant Examiner — Laura H Yu

(74) *Attorney, Agent, or Firm* — Fitch, Even, Tabin &
Flannery LLP

(57) **CLAIM**

I claim the ornamental design for a valve, as shown and
described.

DESCRIPTION

(56) **References Cited**

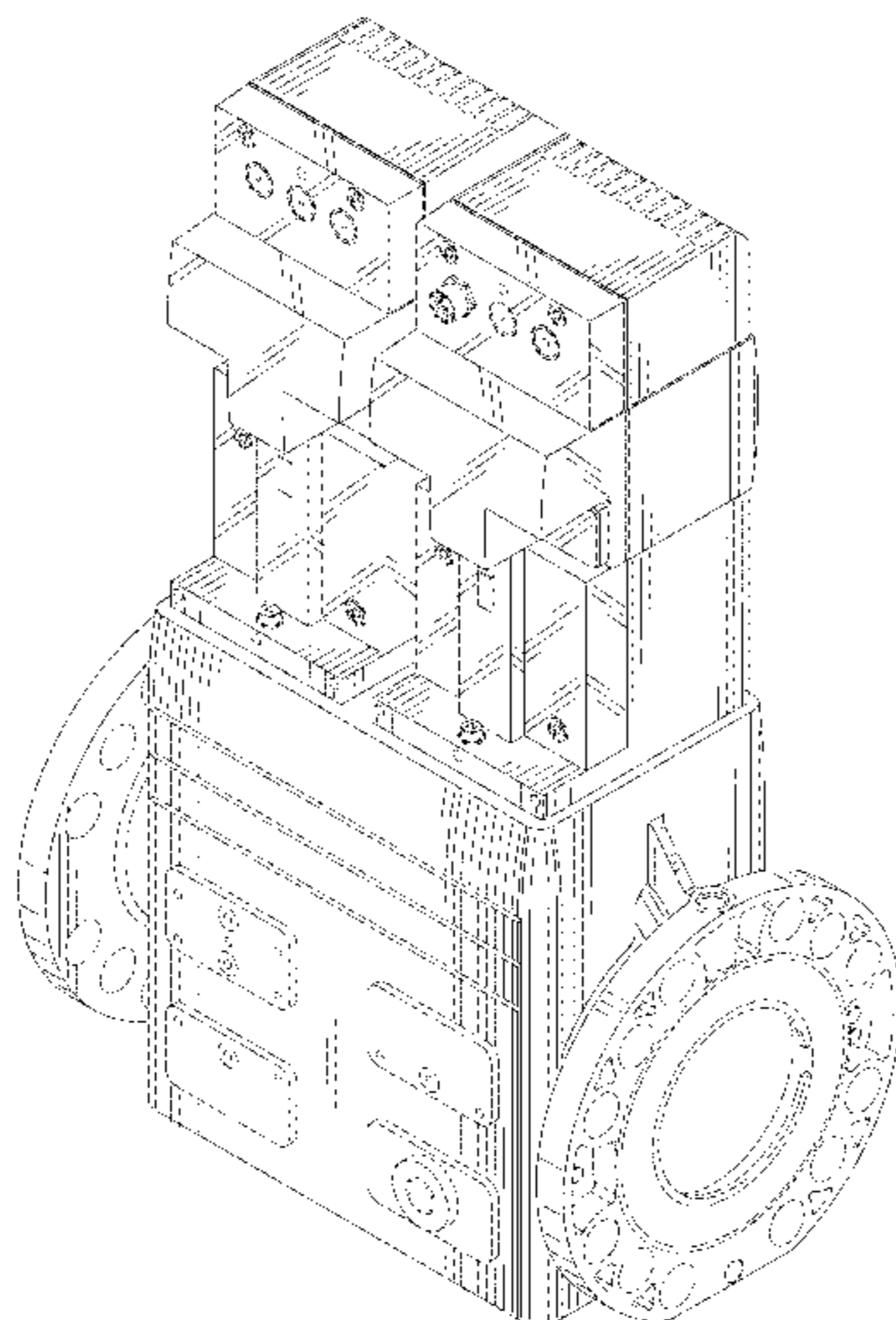
U.S. PATENT DOCUMENTS

D246,907 S *	1/1978	Fialkowski	D23/233
D370,054 S *	5/1996	Nakadaira	D23/245
D410,522 S *	6/1999	Hayashi	D23/233
D463,011 S *	9/2002	Hirose	D23/245
D496,091 S *	9/2004	Katzman	D23/235
D504,715 S *	5/2005	Hagihara	D23/235
D537,919 S *	3/2007	Yamashita	D23/233
7,469,709 B2 *	12/2008	Bridgeford	F16K 3/029 137/269
D620,555 S *	7/2010	Chuang	D23/233
D636,460 S *	4/2011	Hayashi	D23/233

(Continued)

FIG. 1 is a perspective view of a valve of my new design;
FIG. 2 is a front elevational view of the valve of FIG. 1;
FIG. 3 is a rear elevational view of the valve of FIG. 1;
FIG. 4 is a right side elevational view of the valve of FIG.
1;
FIG. 5 is a left side elevational view of the valve of FIG. 1;
FIG. 6 is a top plan view of the valve of FIG. 1; and,
FIG. 7 is a bottom plan view of the valve of FIG. 1.
The broken lines in the figures are for the purpose of
illustrating portions of the valve that form no part of the
claimed design.

1 Claim, 6 Drawing Sheets



(56)

References Cited

U.S. PATENT DOCUMENTS

7,947,223 B2 * 5/2011 Carlsson G01N 25/20
374/31
D650,337 S * 12/2011 Bonomi D13/158
8,783,295 B2 * 7/2014 Igarashi F16B 13/0814
137/271
D731,028 S * 6/2015 Weidner D23/233
9,304,517 B2 * 4/2016 Hirai G05D 7/012
2009/0301581 A1 * 12/2009 MacNeal F16K 1/306
137/505.14
2015/0034846 A1 * 2/2015 Fan F16K 3/00
251/12
2016/0040800 A1 * 2/2016 Gosling F16K 27/065
251/367

FOREIGN PATENT DOCUMENTS

EM 0003029149-0004 * 3/2016
EM 0003029149-0006 * 3/2016
EM 0003029149-0007 * 3/2016
JP 2015037856 * 9/2016 F16K 31/44

OTHER PUBLICATIONS

Combustion Controls posted by Dungs posted date Mar. 10, 2017,
© Dungs Combustion Control, [online], [site visited Aug. 31, 2017].
Available from Internet, <https://www.dungs.com/en/service/press-information/>.*

* cited by examiner

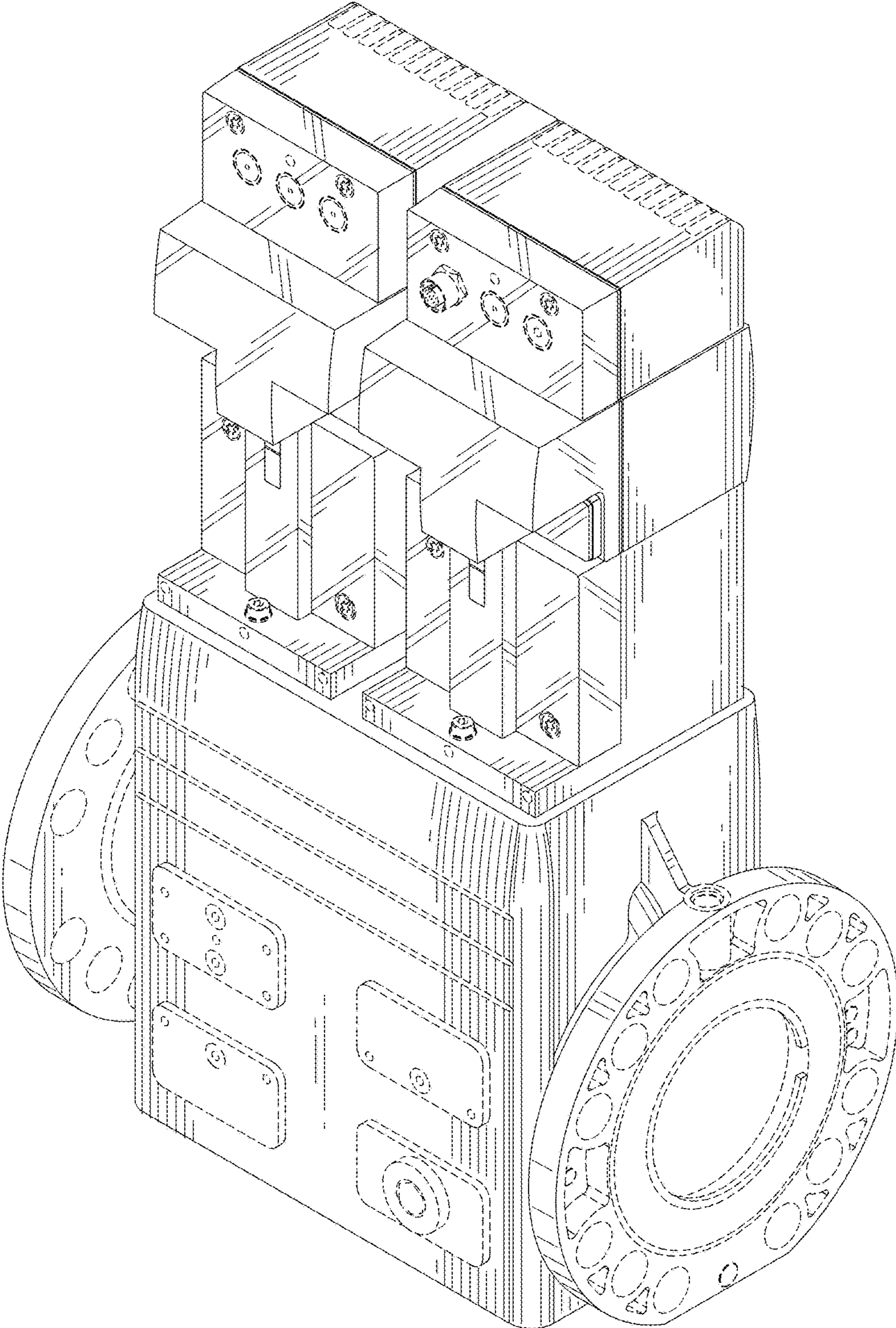


FIG. 1

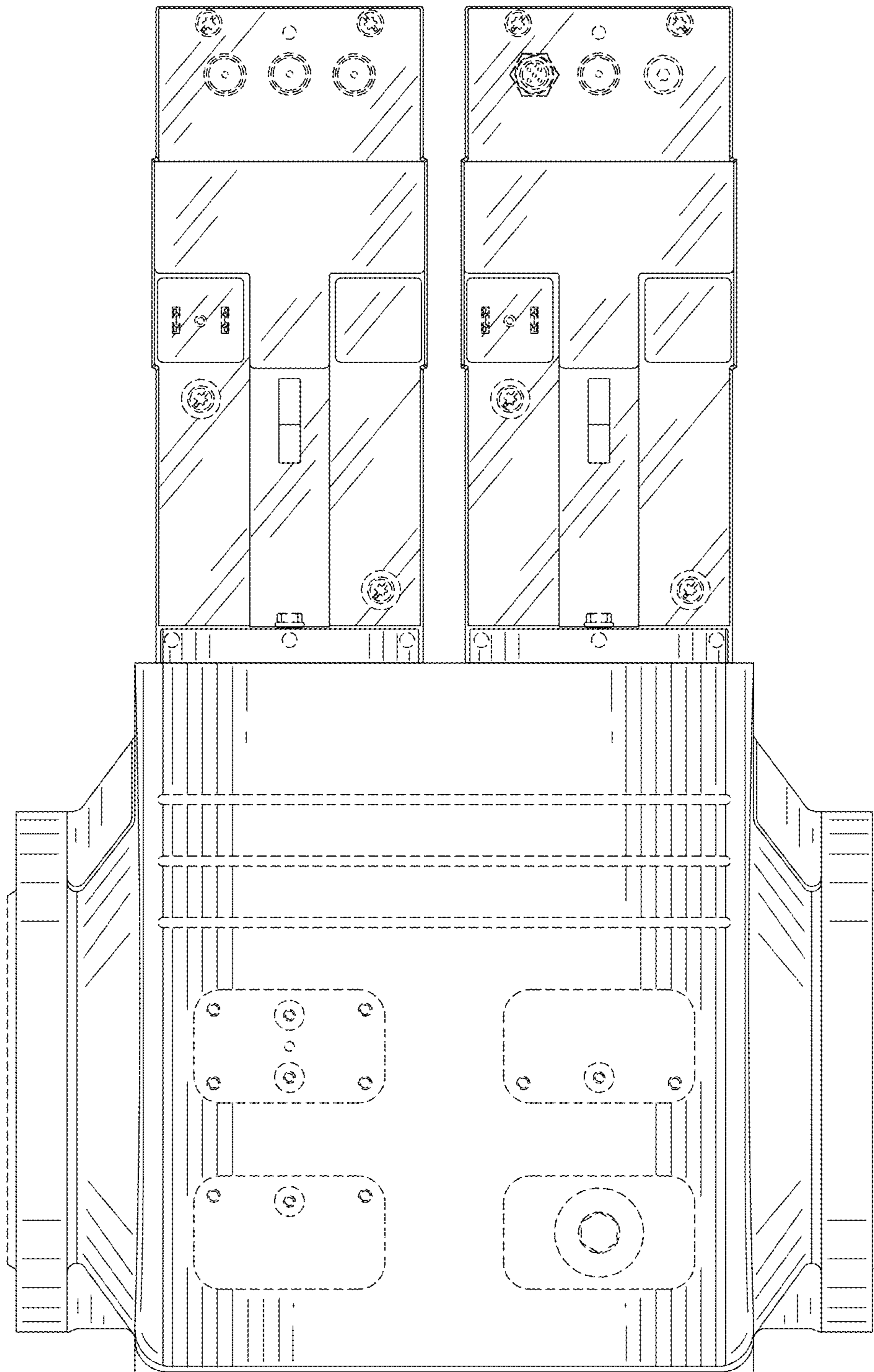


FIG. 2

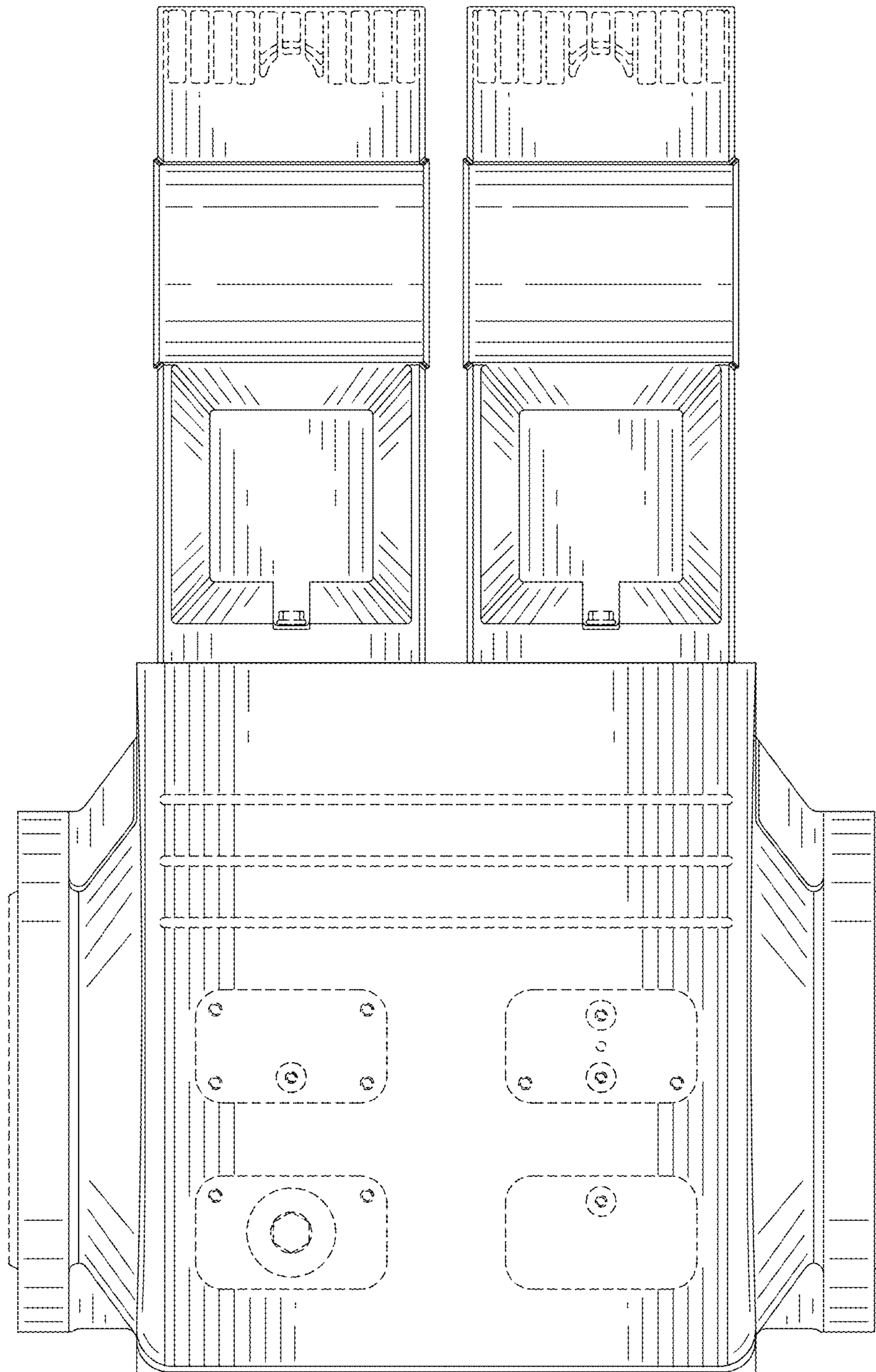


FIG. 3

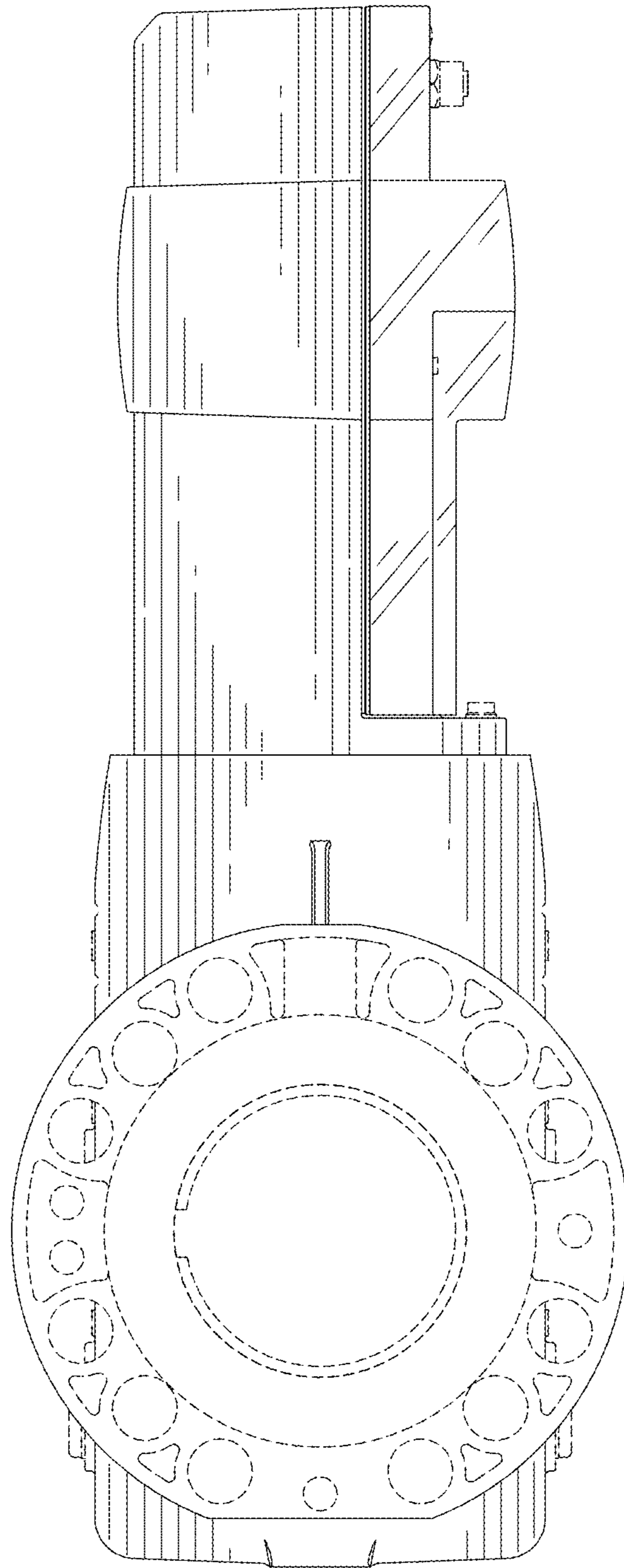


FIG. 4

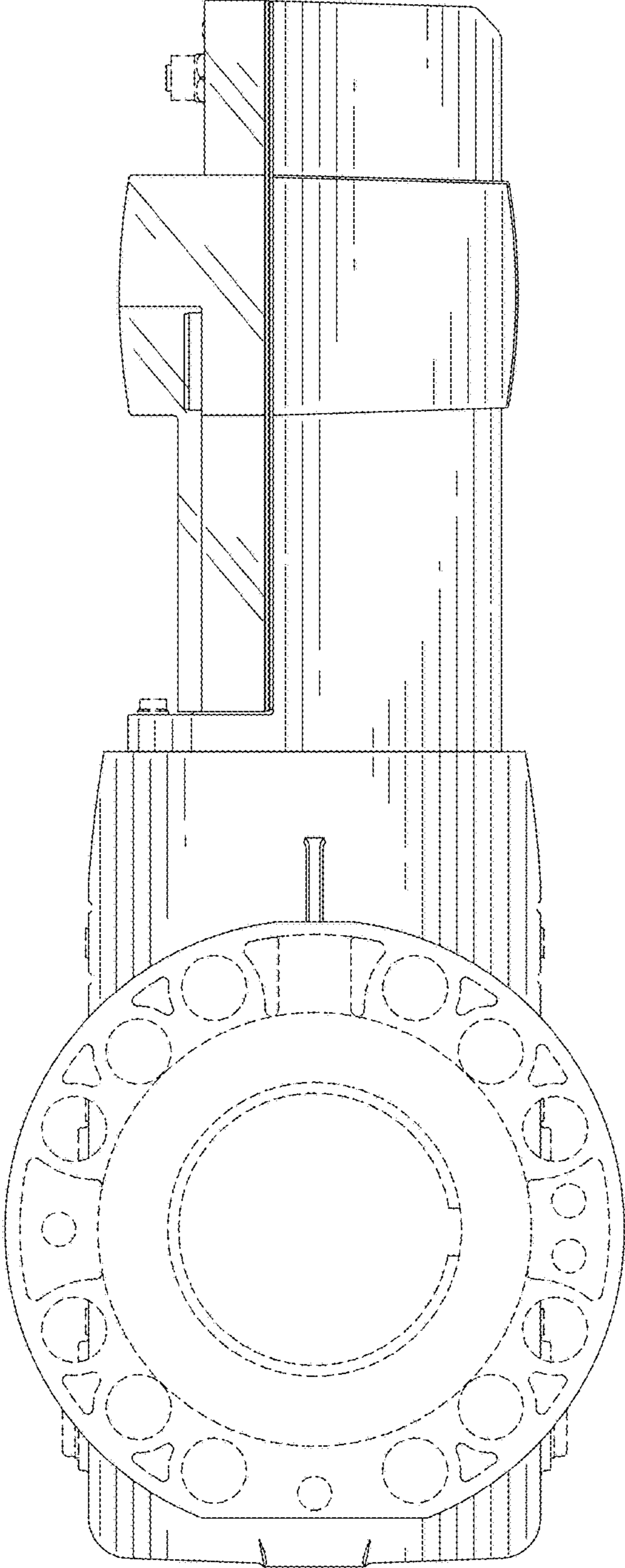


FIG. 5

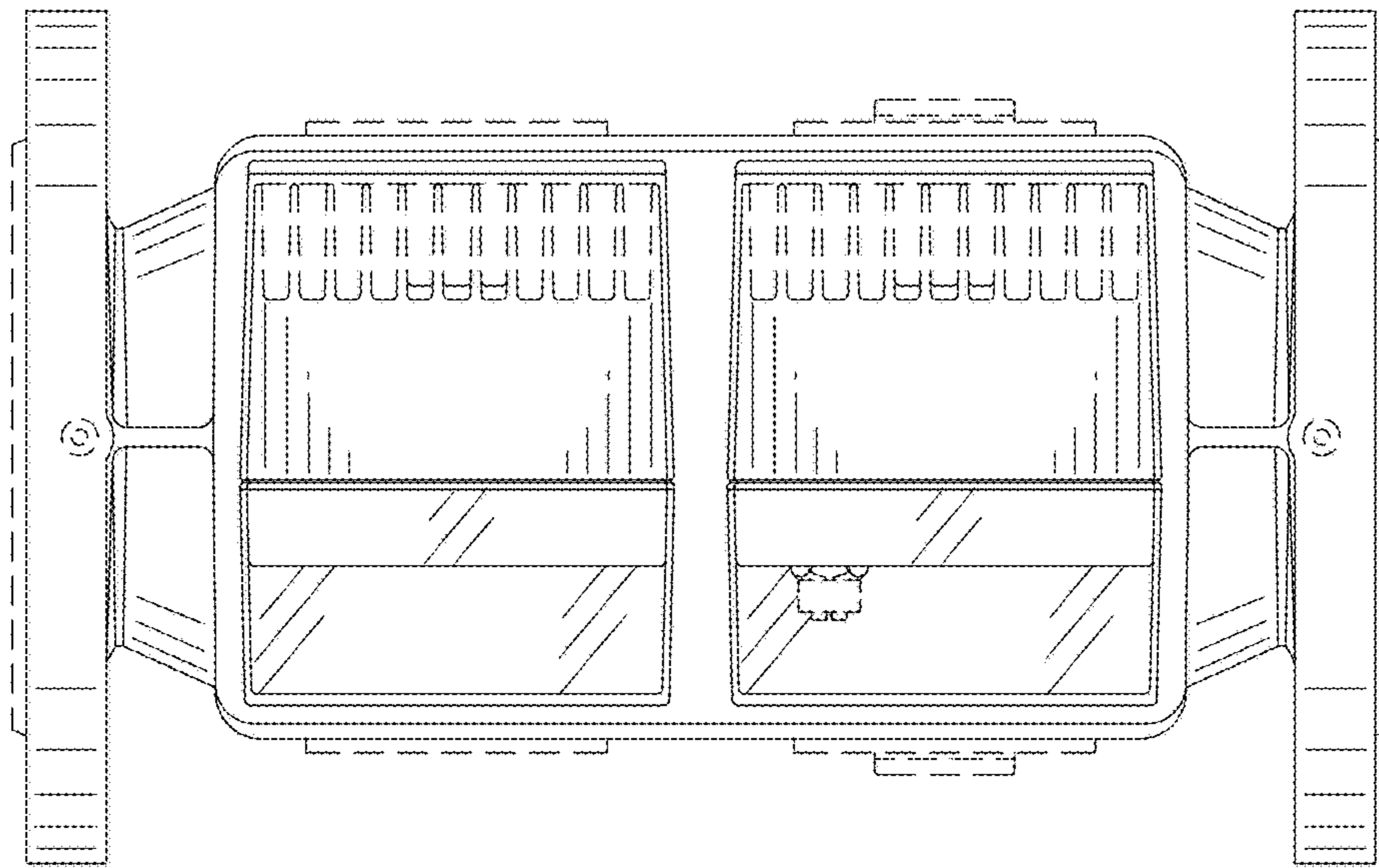


FIG. 6

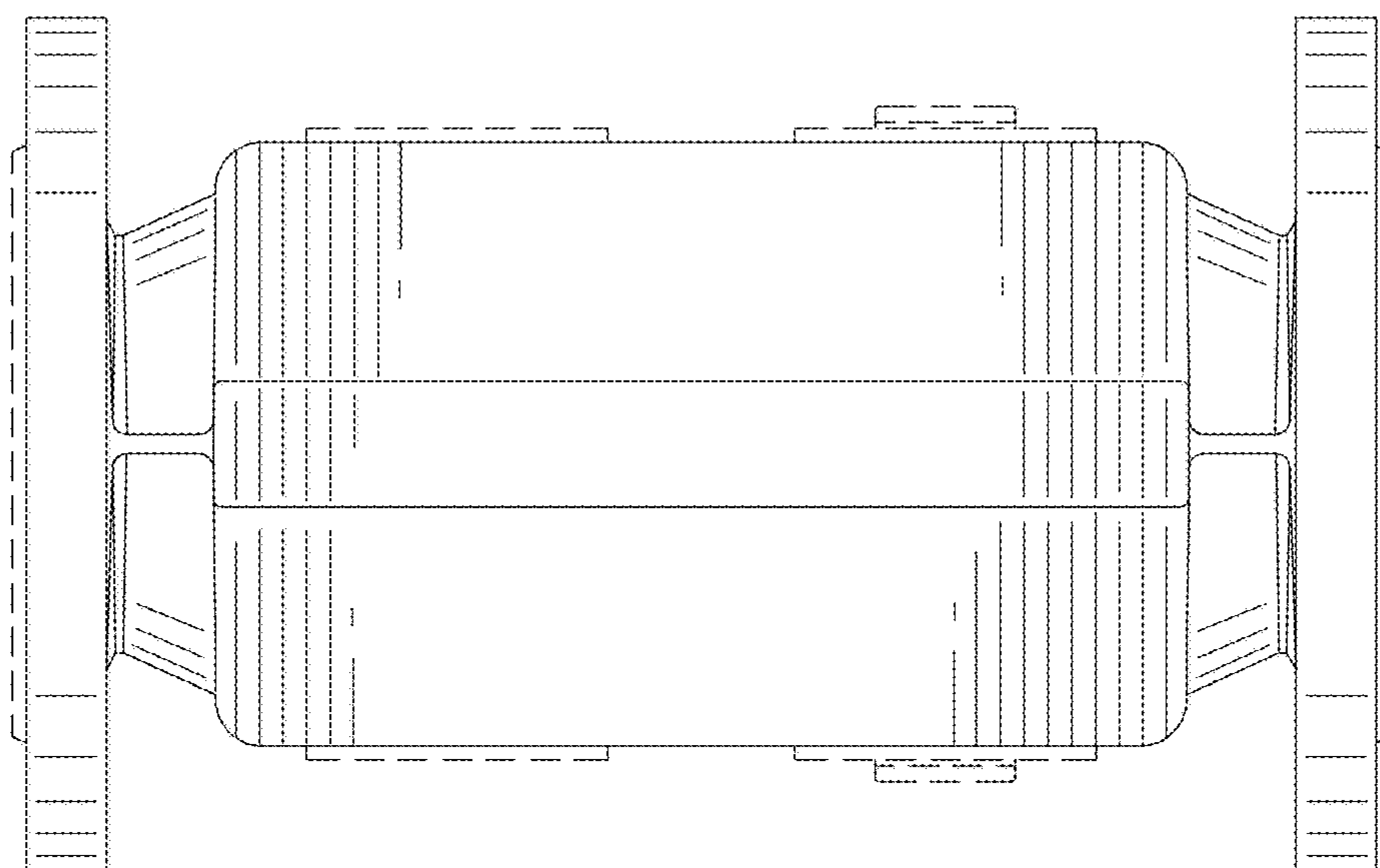


FIG. 7