



US00D817449S

(12) **United States Design Patent** (10) **Patent No.:** **US D817,449 S**  
**Obermöller** (45) **Date of Patent:** **\*\* May 8, 2018**

(54) **VALVE** D496,091 S \* 9/2004 Katzman ..... D23/235  
D504,715 S \* 5/2005 Hagihara ..... D23/235  
(71) Applicant: **Karl Dungs GmbH & Co. KG,** D537,919 S \* 3/2007 Yamashita ..... D23/233  
Urbach (DE) (Continued)

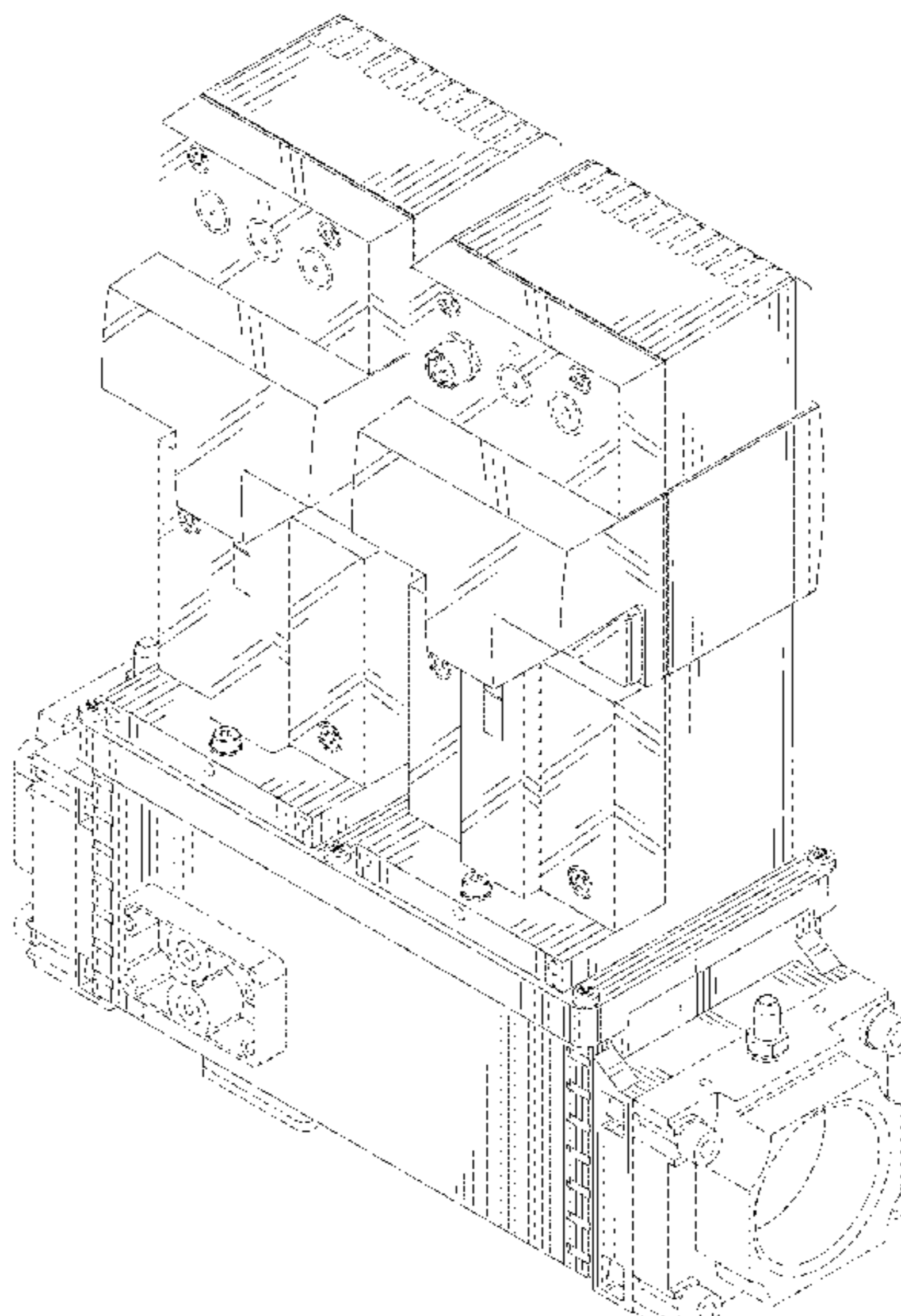
(72) Inventor: **Nils Obermöller,** Schorndorf (DE) FOREIGN PATENT DOCUMENTS  
(73) Assignee: **KARL DUNGS GMBH & CO. KG,** DE 102012202569 A1 \* 8/2013 ..... F01L 1/143  
Urbach (DE) EM 002765309 A1 \* 8/2014 ..... F04B 1/063  
(Continued)

(\*\*) Term: **15 Years** OTHER PUBLICATIONS  
(21) Appl. No.: **29/577,634** MultiBlock posted by Dungs posted date unknown, © Dungs  
(22) Filed: **Sep. 14, 2016** Combustion Control, [online], [site visited Aug. 31, 2017]. Avail-  
(30) **Foreign Application Priority Data** able from Internet, [https://www.dungs.com/en/service/press-infor-](https://www.dungs.com/en/service/press-information/)  
Mar. 15, 2016 (EM) ..... 003029149 mation/\*  
(51) **LOC (11) Cl.** ..... **23-01** (Continued)

(52) **U.S. Cl.** *Primary Examiner* — Cynthia Ramirez  
USPC ..... **D23/233; D13/118** *Assistant Examiner* — Laura H Yu  
(74) *Attorney, Agent, or Firm* — Fitch, Even, Tabin &  
Flannery LLP

(58) **Field of Classification Search** (57) **CLAIM**  
USPC ..... D23/233–237, 244–249; D13/118; I claim the ornamental design for a valve, as shown and  
436/160; 422/51; D15/199, 5; 137/554, described.  
137/557, 560, 882, 884, 269, 271, 343, **DESCRIPTION**  
137/625.64; 251/12, 129.04, 219, 331, FIG. 1 is a perspective view of a valve of my new design;  
251/30.01 FIG. 2 is a front elevational view of the valve of FIG. 1;  
CPC .. F01L 9/04; F01L 1/143; F04B 1/063; F16K FIG. 3 is a rear elevational view of the valve of FIG. 1;  
27/08; F16K 31/12; F16K 31/0675; F16K FIG. 4 is a right side elevational view of the valve of FIG.  
31/1266; F16K 31/007; F16K 31/0679 **1;**  
See application file for complete search history. FIG. 5 is a left side elevational view of the valve of FIG. 1;  
FIG. 6 is a top plan view of the valve of FIG. 1; and,  
FIG. 7 is a bottom plan view of the valve of FIG. 1.  
The broken lines in the figures are for the purpose of  
illustrating portions of the valve that form no part of the  
claimed design.

(56) **References Cited** **1 Claim, 6 Drawing Sheets**  
U.S. PATENT DOCUMENTS  
D246,907 S \* 1/1978 Fialkowski ..... D23/233  
D370,054 S \* 5/1996 Nakadaira ..... D23/245  
D410,522 S \* 6/1999 Hayashi ..... D23/233  
D463,011 S \* 9/2002 Hirose ..... D23/245



(56)

**References Cited**

U.S. PATENT DOCUMENTS

7,469,709 B2 \* 12/2008 Bridgeford ..... F16K 3/029  
 137/269  
 D620,555 S \* 7/2010 Chuang ..... D23/233  
 D636,460 S \* 4/2011 Hayashi ..... D23/233  
 7,947,223 B2 \* 5/2011 Carlsson ..... G01N 25/20  
 374/31  
 D650,337 S \* 12/2011 Bonomi ..... D13/158  
 8,783,295 B2 \* 7/2014 Igarashi ..... F15B 13/0814  
 137/271  
 D731,028 S \* 6/2015 Weidner ..... D23/233  
 9,304,517 B2 \* 4/2016 Hirai ..... G05D 7/012  
 2009/0301581 A1 \* 12/2009 MacNeal ..... F16K 1/306  
 137/505.14  
 2015/0034846 A1 \* 2/2015 Fan ..... F16K 3/00  
 251/12  
 2016/0040800 A1 \* 2/2016 Gosling ..... F16K 27/065  
 251/367

FOREIGN PATENT DOCUMENTS

EM 003029149-0004 \* 3/2016  
 EM 003029149-0006 \* 3/2016  
 EM 003029149-0007 \* 3/2016  
 JP 2015037856 \* 9/2016 ..... F16K 31/44

OTHER PUBLICATIONS

Combustion Controls posted by Dungs posted date Mar. 10, 2017,  
 © Dungs Combustion Control, [online], [site visited Aug. 31, 2017].  
 Available from Internet, <https://www.dungs.com/en/service/press-information/>.\*

\* cited by examiner

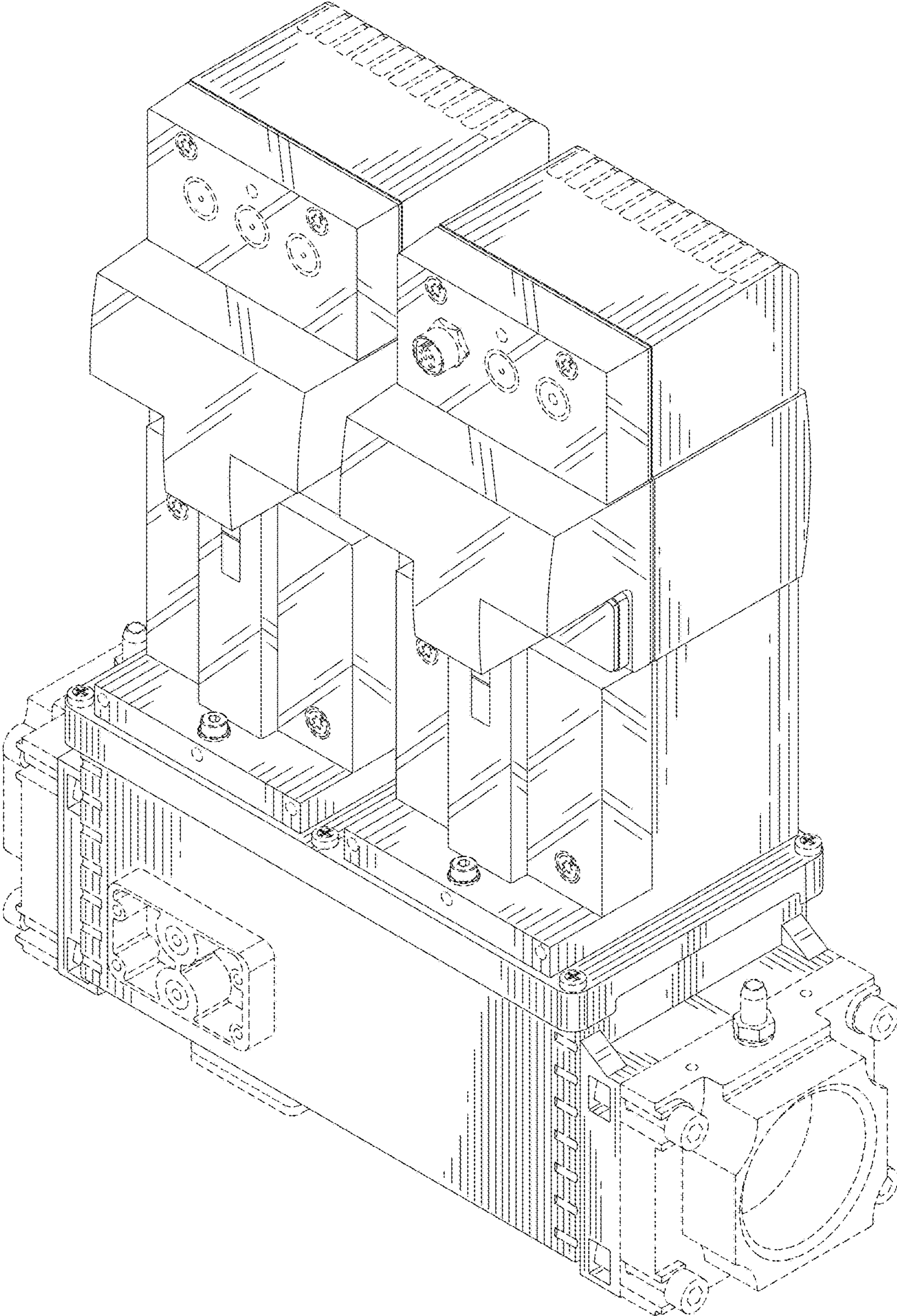


FIG. 1

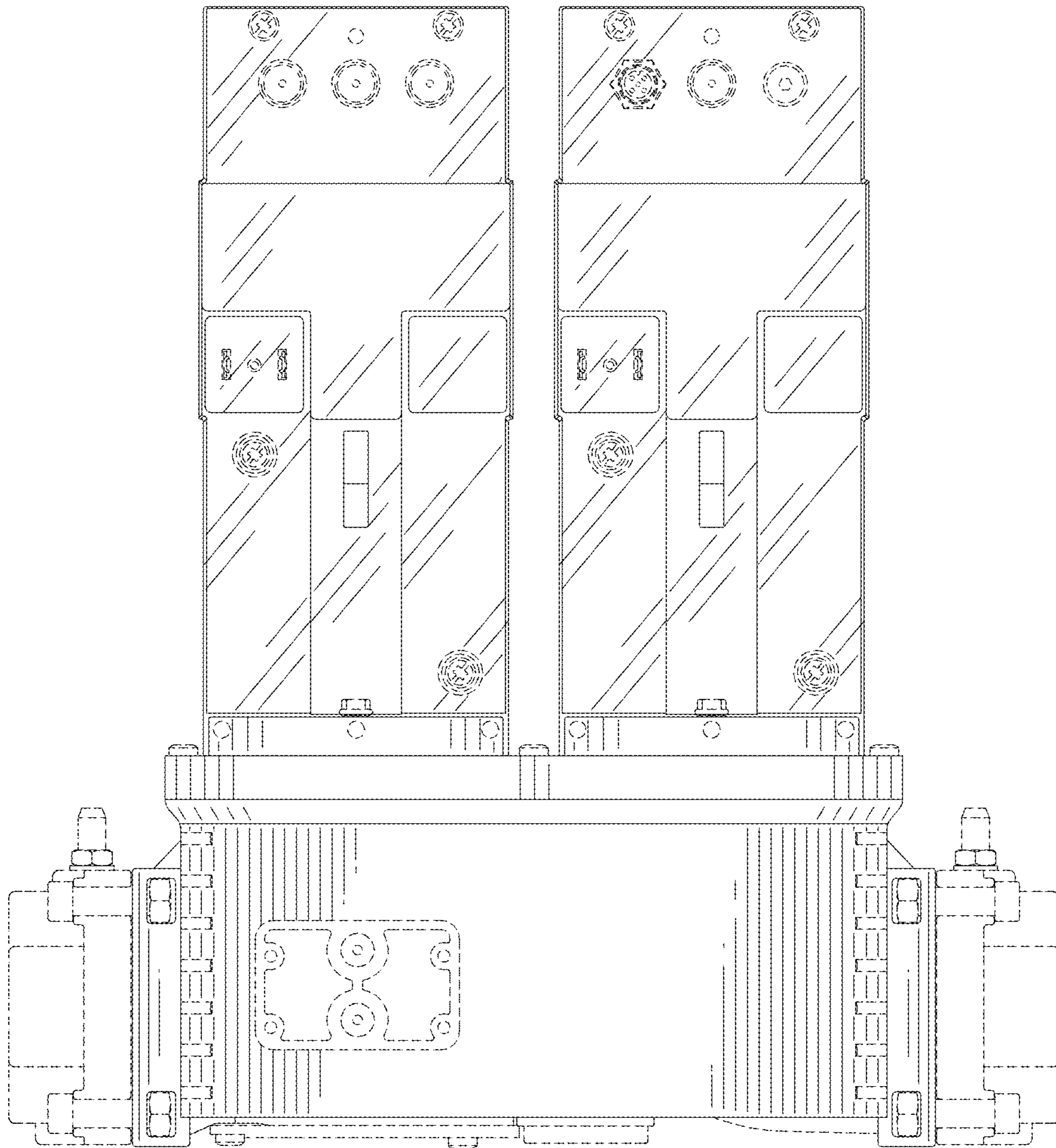


FIG. 2

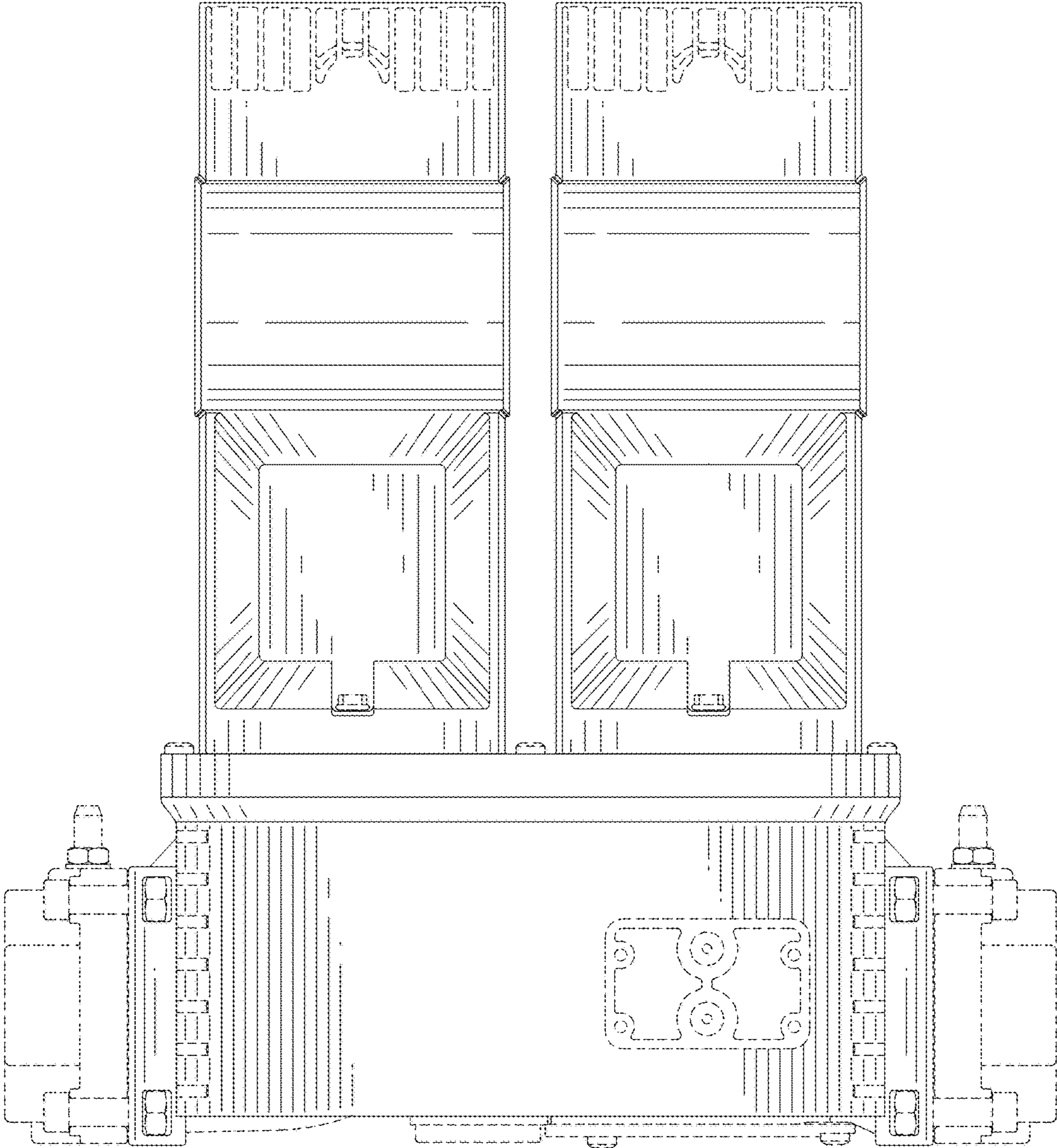


FIG. 3

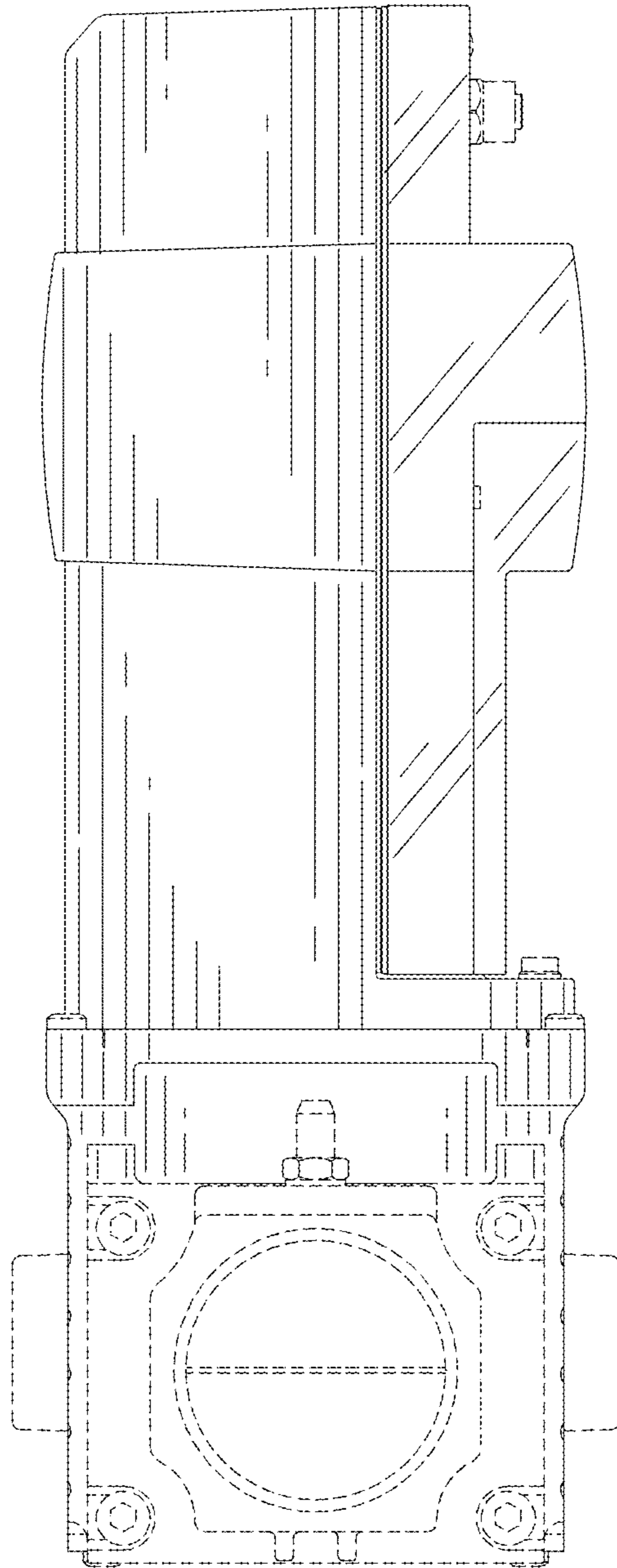


FIG. 4

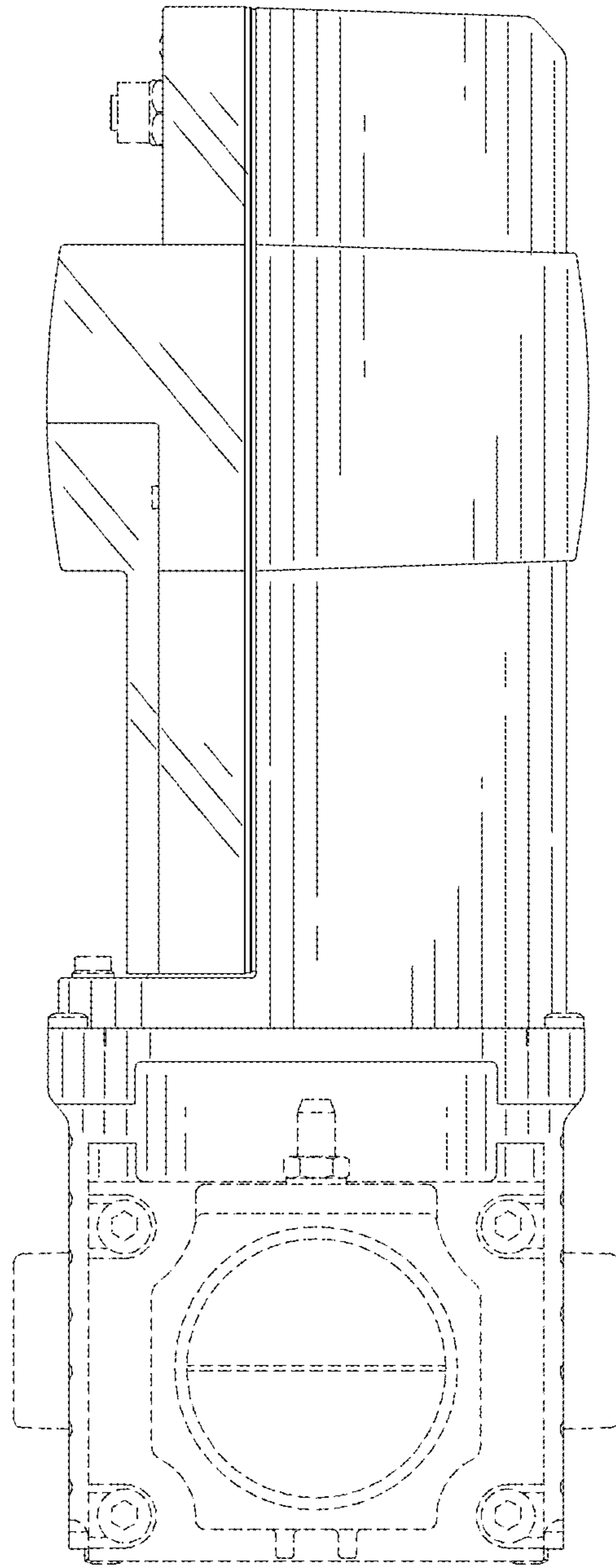


FIG. 5

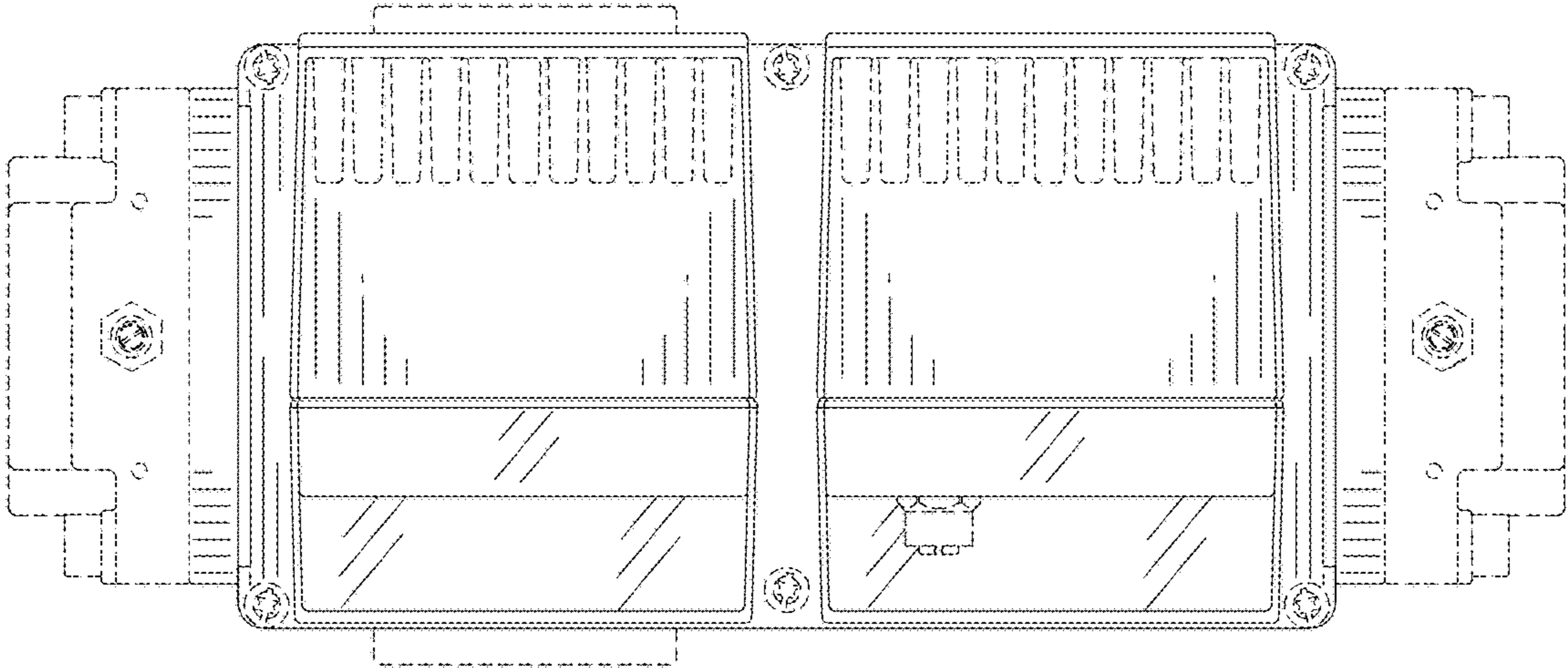


FIG. 6

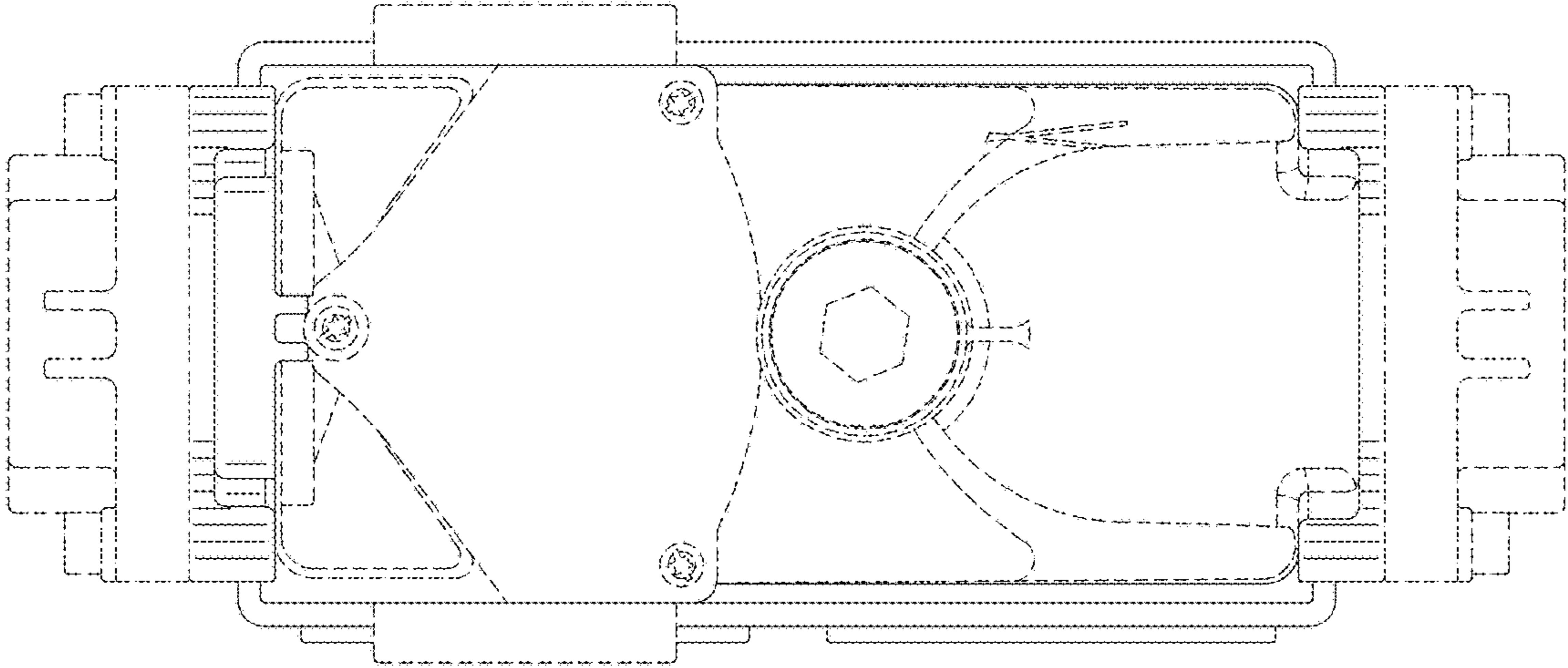


FIG. 7