



US00D817446S

(12) **United States Design Patent** (10) **Patent No.:** **US D817,446 S**
Kinzel et al. (45) **Date of Patent:** **** May 8, 2018**

(54) **NOZZLE**

(71) Applicant: **Kintech, Inc.**, Warren, MI (US)

(72) Inventors: **Michael Kinzel**, Milford, MI (US);
Daniel O’Leary, Washington, MI (US)

(73) Assignee: **Kintech, Inc.**, Warren, MI (US)

(**) Term: **15 Years**

(21) Appl. No.: **29/594,709**

(22) Filed: **Feb. 22, 2017**

(51) **LOC (11) Cl.** **23-01**

(52) **U.S. Cl.**
USPC **D23/231**; D23/213

(58) **Field of Classification Search**
USPC D23/213, 231; D9/683; 141/10, 68, 391
CPC B65B 1/18
See application file for complete search history.

(56) **References Cited**

U.S. PATENT DOCUMENTS

D155,805 S	*	11/1949	Huffman	D23/231
D210,458 S	*	3/1968	Mease	D23/214
D225,329 S	*	12/1972	Barnett	D23/231
D274,128 S	*	6/1984	Bennett	D23/231
D433,101 S	*	10/2000	Chern	D23/231

* cited by examiner

Primary Examiner — Robin V Webster

(74) *Attorney, Agent, or Firm* — Quinn IP Law

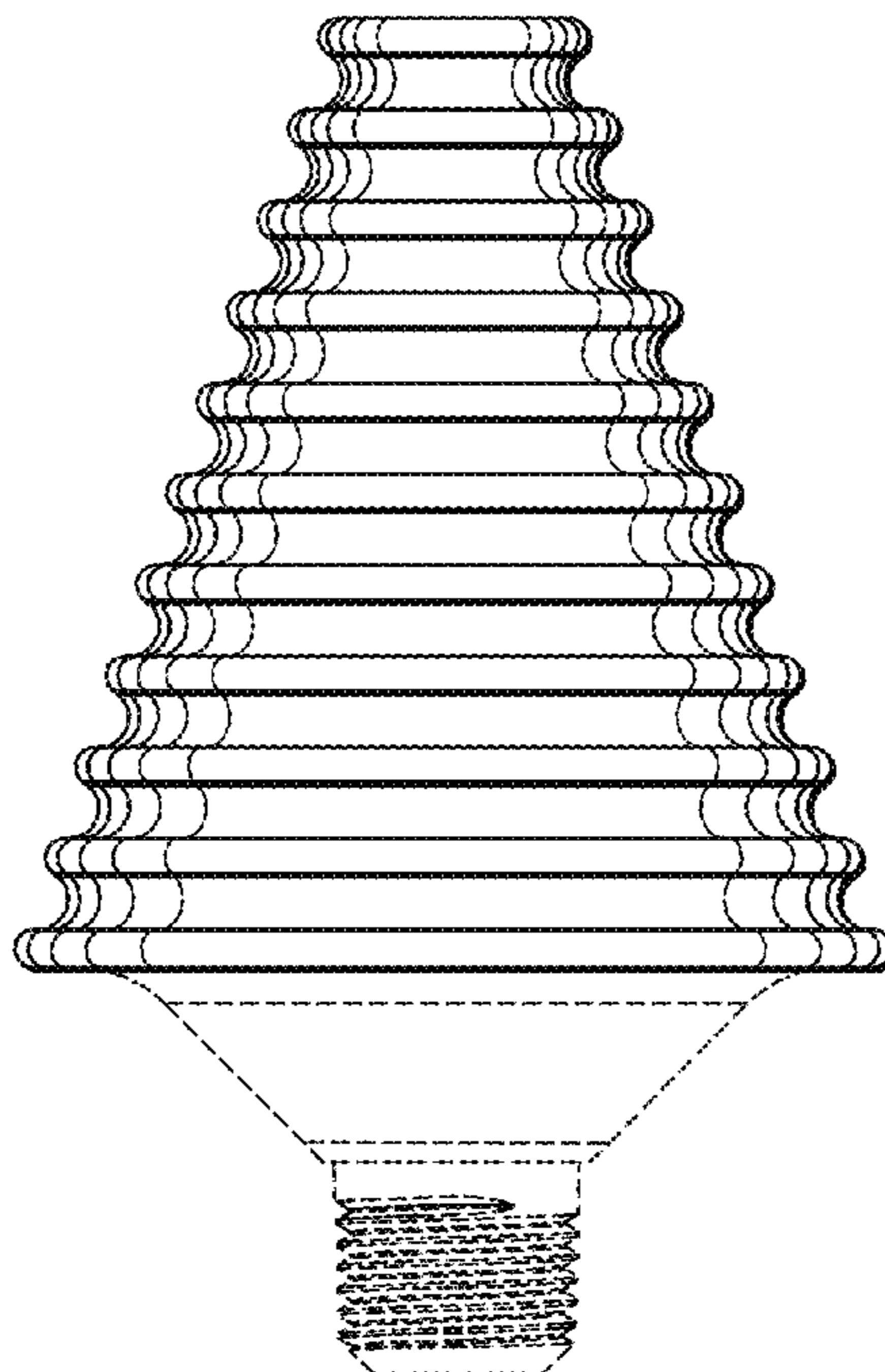
(57) **CLAIM**

We claim the ornamental design for a nozzle, as shown and described.

DESCRIPTION

FIG. 1 is a side elevation view of a first embodiment of the nozzle,
 FIG. 2 is a bottom side perspective view of the nozzle of FIG. 1,
 FIG. 3 is a top side perspective view of the nozzle of FIG. 1,
 FIG. 4 is a top view of the nozzle of FIG. 1, and
 FIG. 5 is a bottom view of the nozzle of FIG. 1.
 FIG. 6 is a side elevation view of a second embodiment of the nozzle,
 FIG. 7 is a bottom side perspective view of the nozzle of FIG. 6,
 FIG. 8 is a top side perspective view of the nozzle of FIG. 6,
 FIG. 9 is a top view of the nozzle of FIG. 6, and
 FIG. 10 is a bottom view of the nozzle of FIG. 6.
 FIG. 11 is a side elevation view of a third embodiment of the nozzle,
 FIG. 12 is a bottom side perspective view of the nozzle of FIG. 11,
 FIG. 13 is a top side perspective view of the nozzle of FIG. 11,
 FIG. 14 is a top view of the nozzle of FIG. 11; and,
 FIG. 15 is a bottom view of the nozzle of FIG. 11.
 All broken lines illustrate portions of the nozzle to which the design is applied that form no part of the claim.

1 Claim, 6 Drawing Sheets



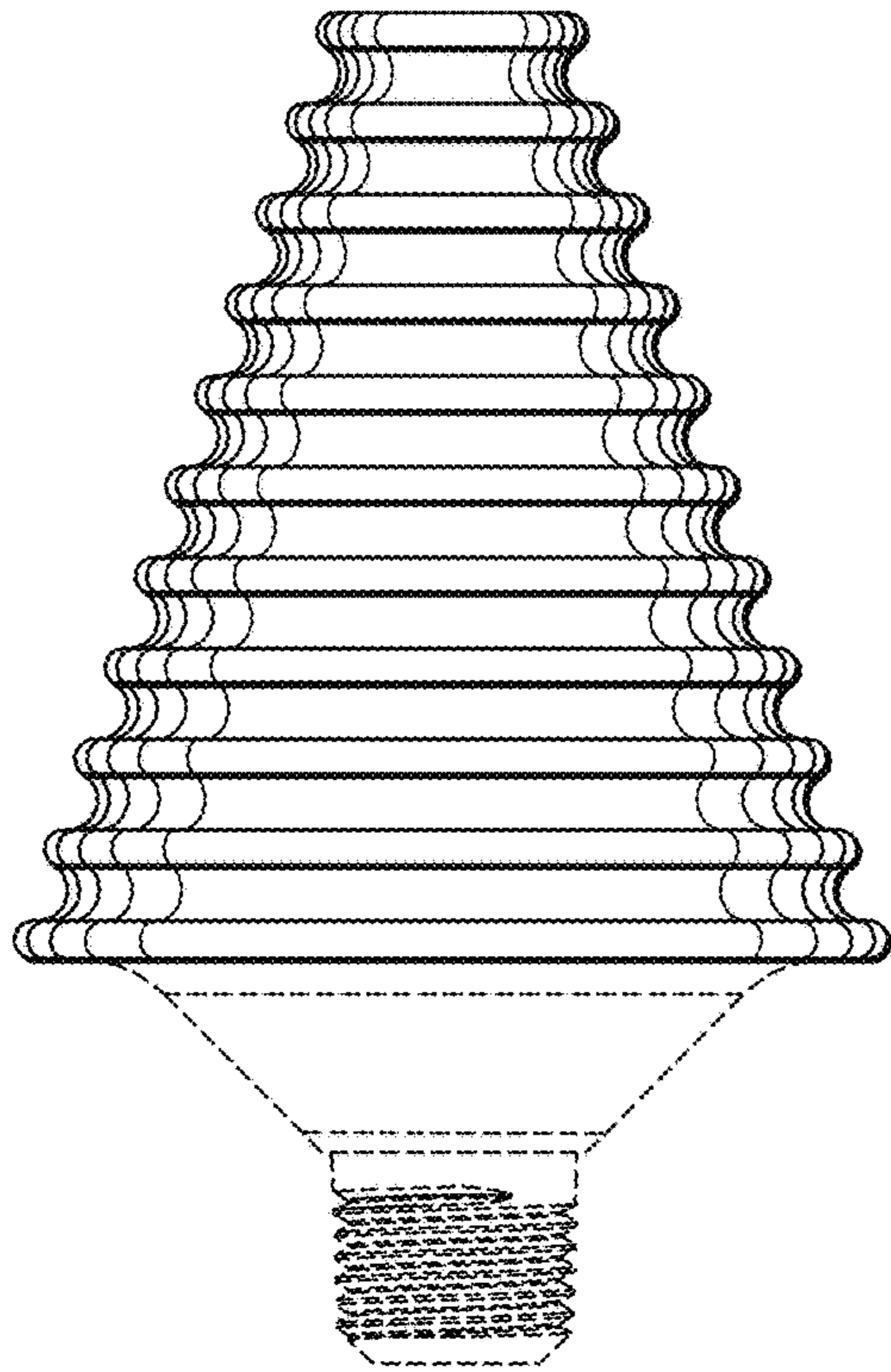


FIG. 1

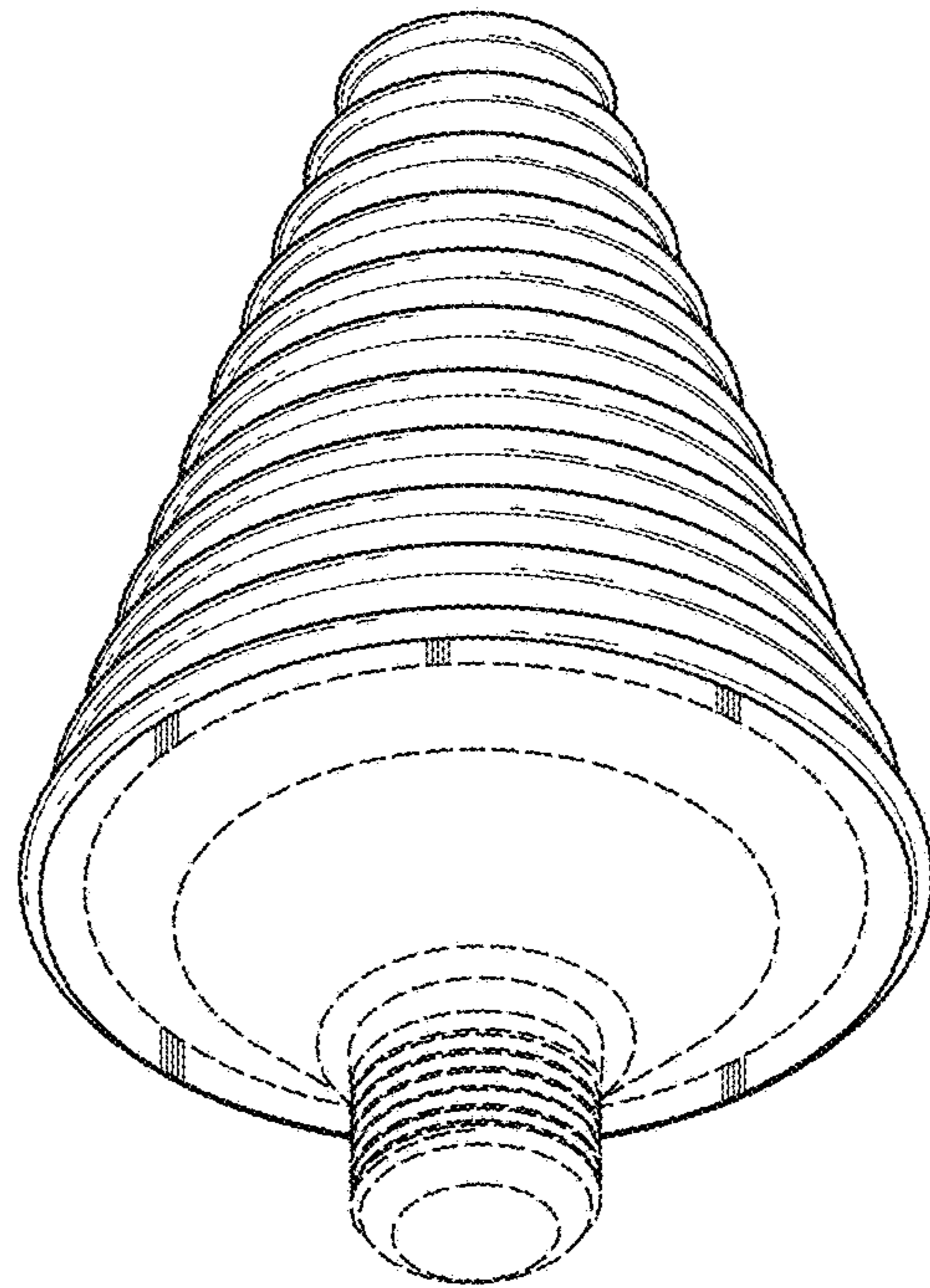


FIG. 2

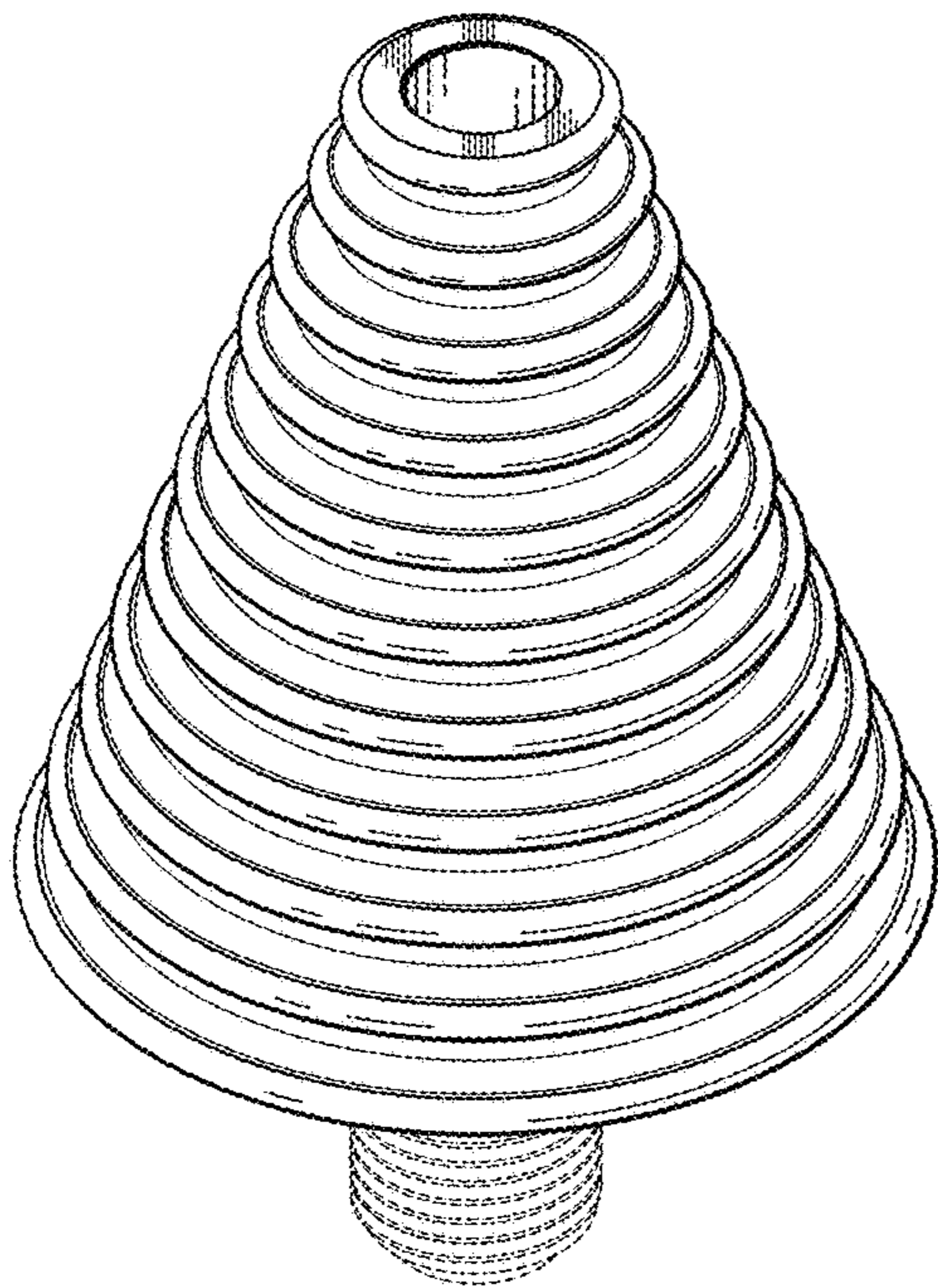


FIG. 3

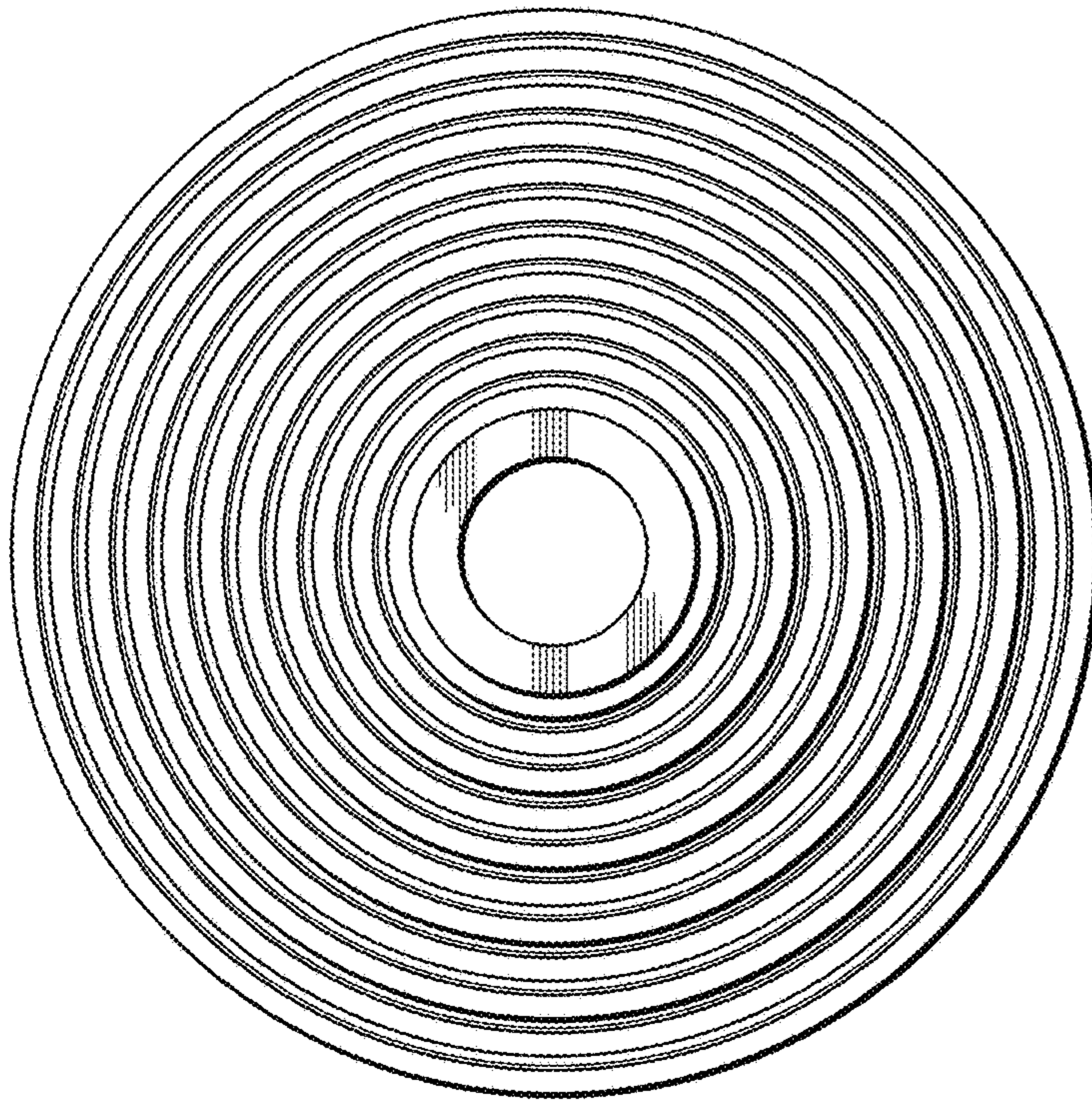


FIG. 4

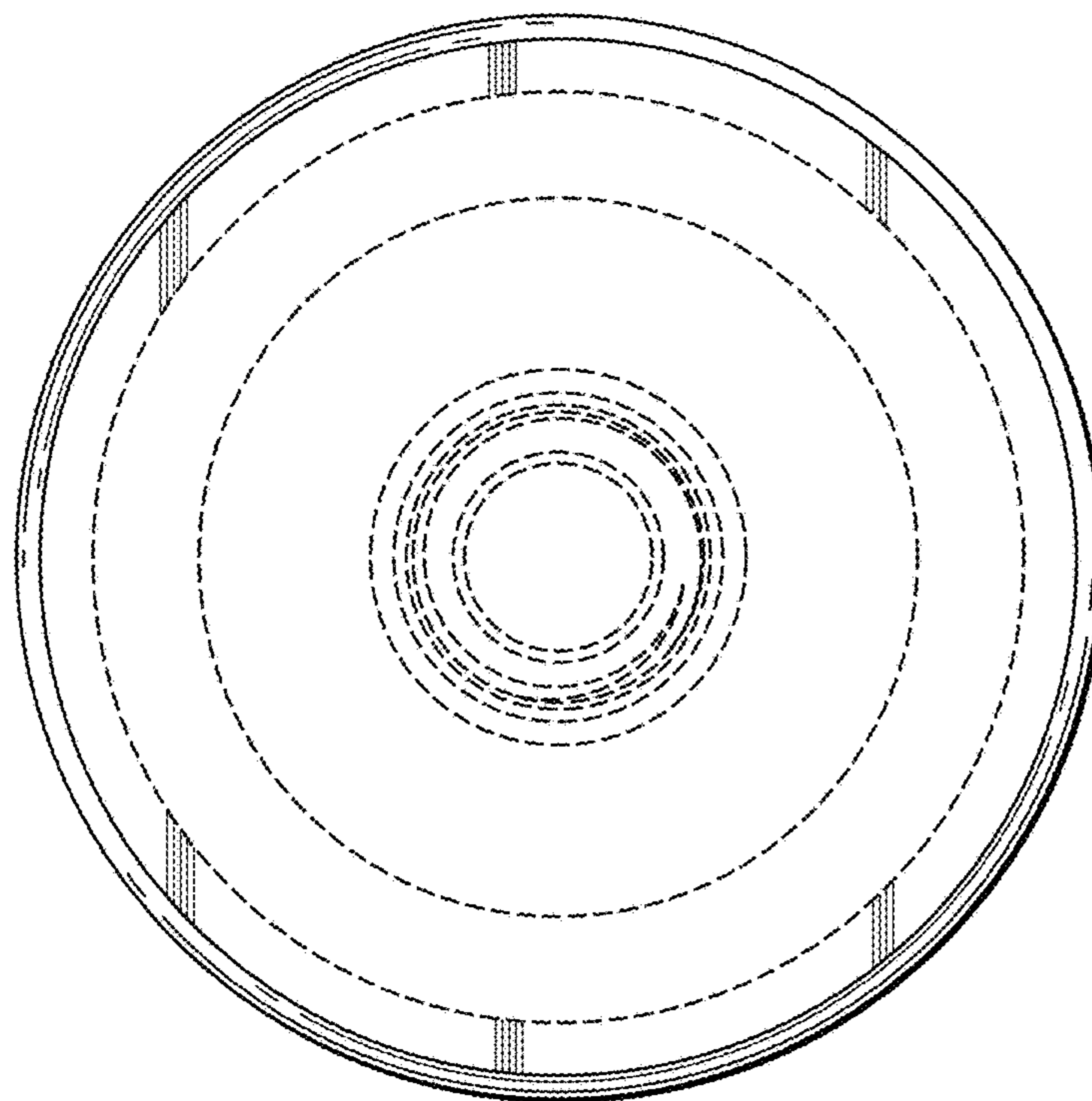


FIG. 5

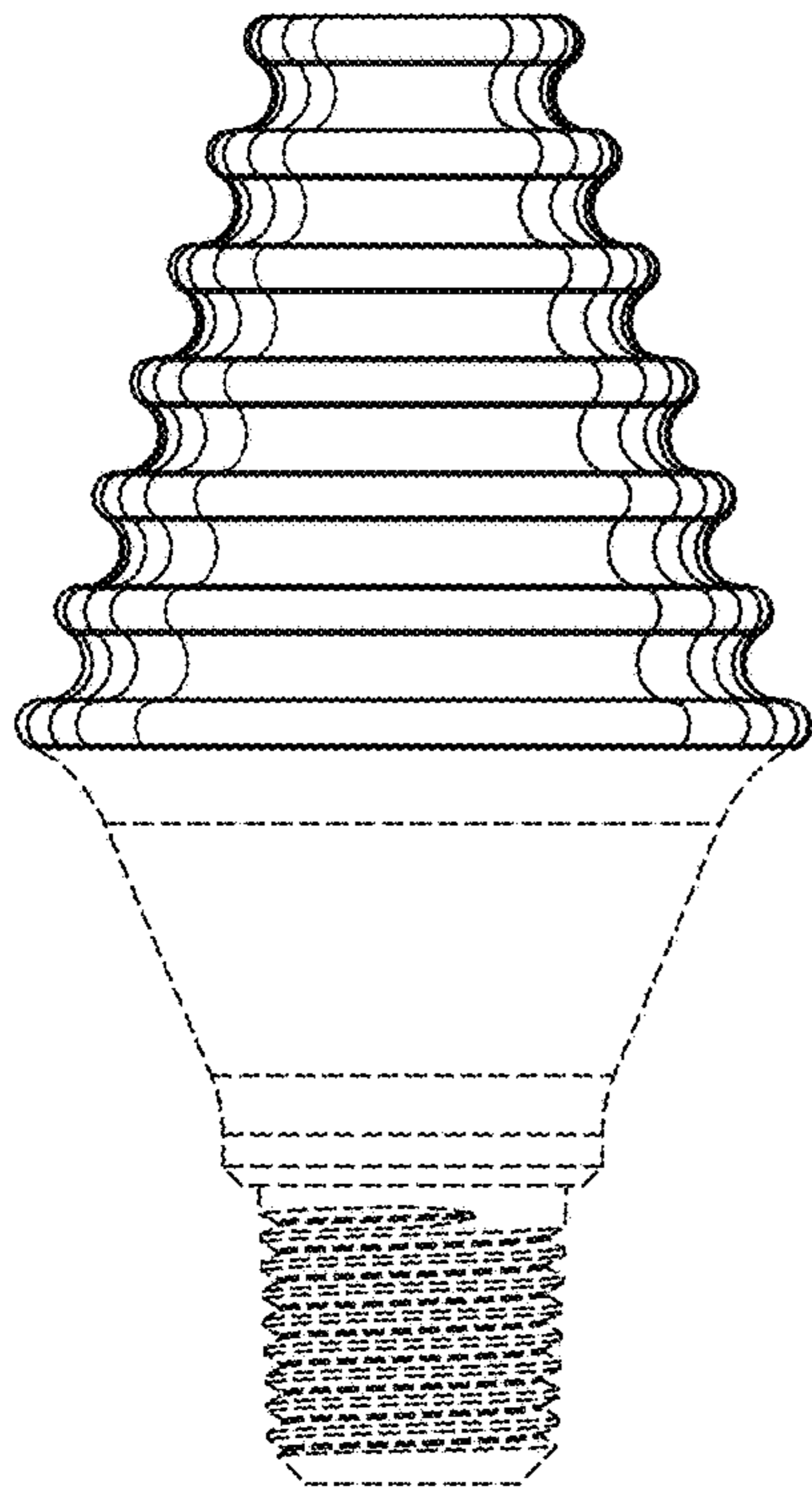


FIG. 6

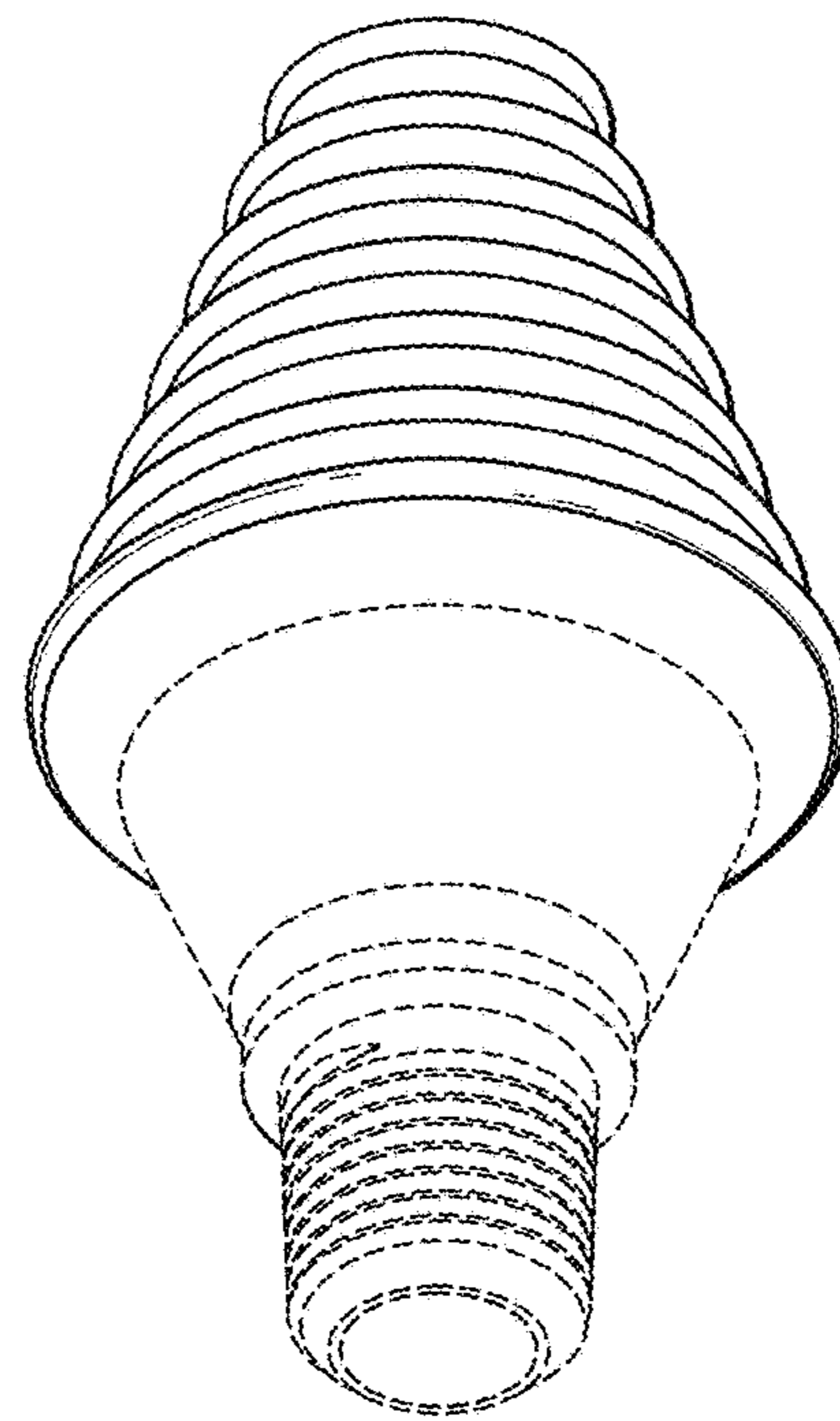


FIG. 7

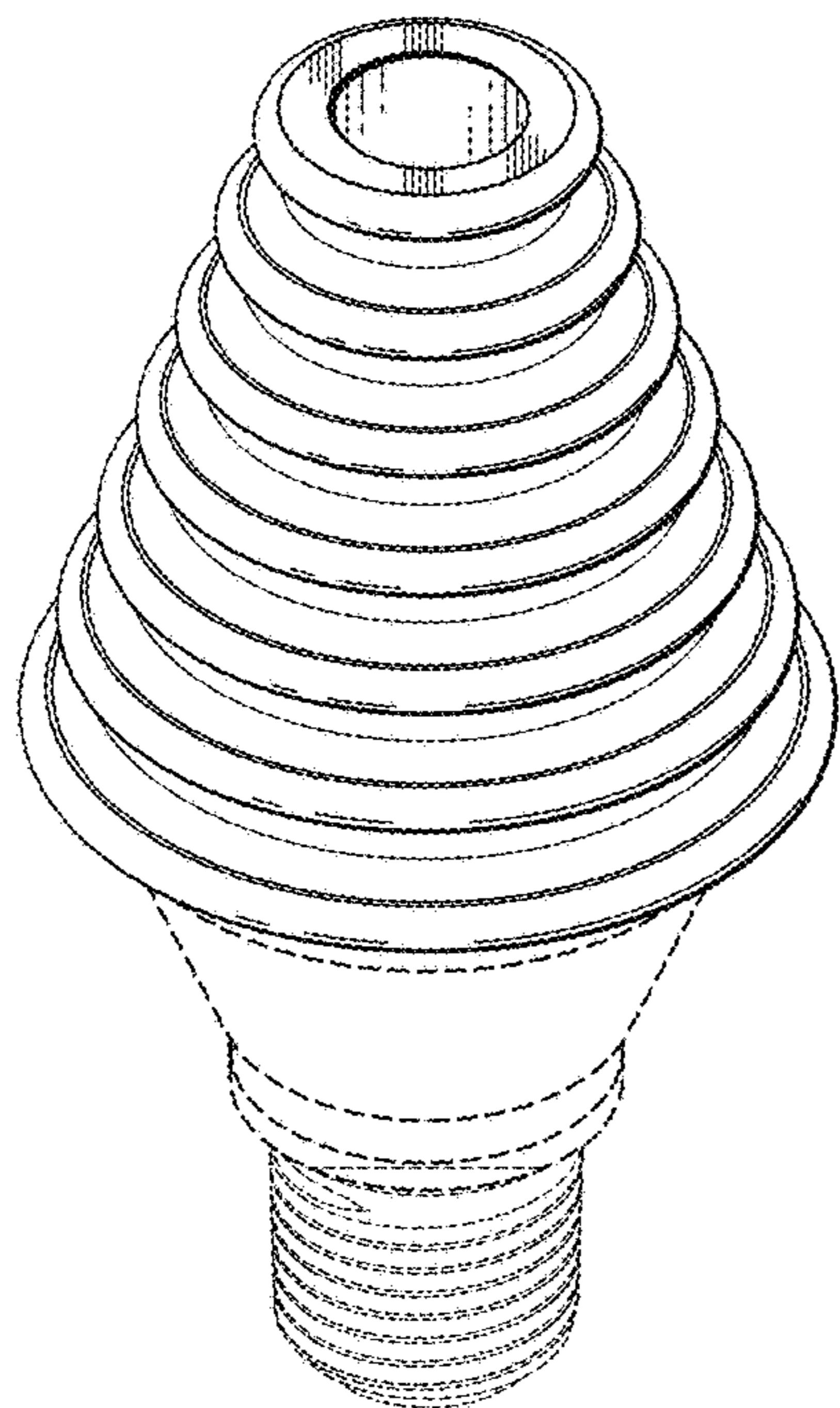


FIG. 8

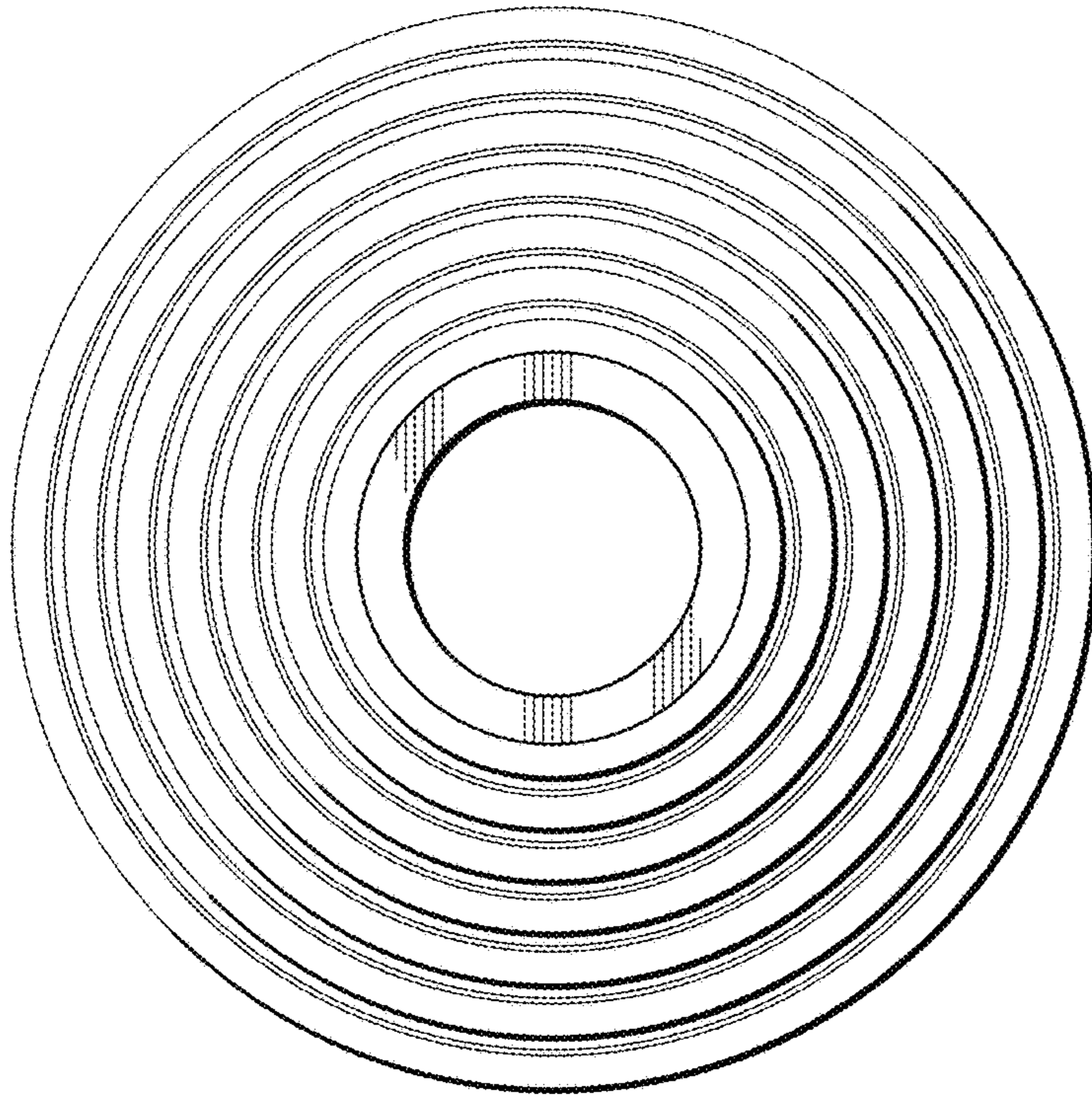


FIG. 9

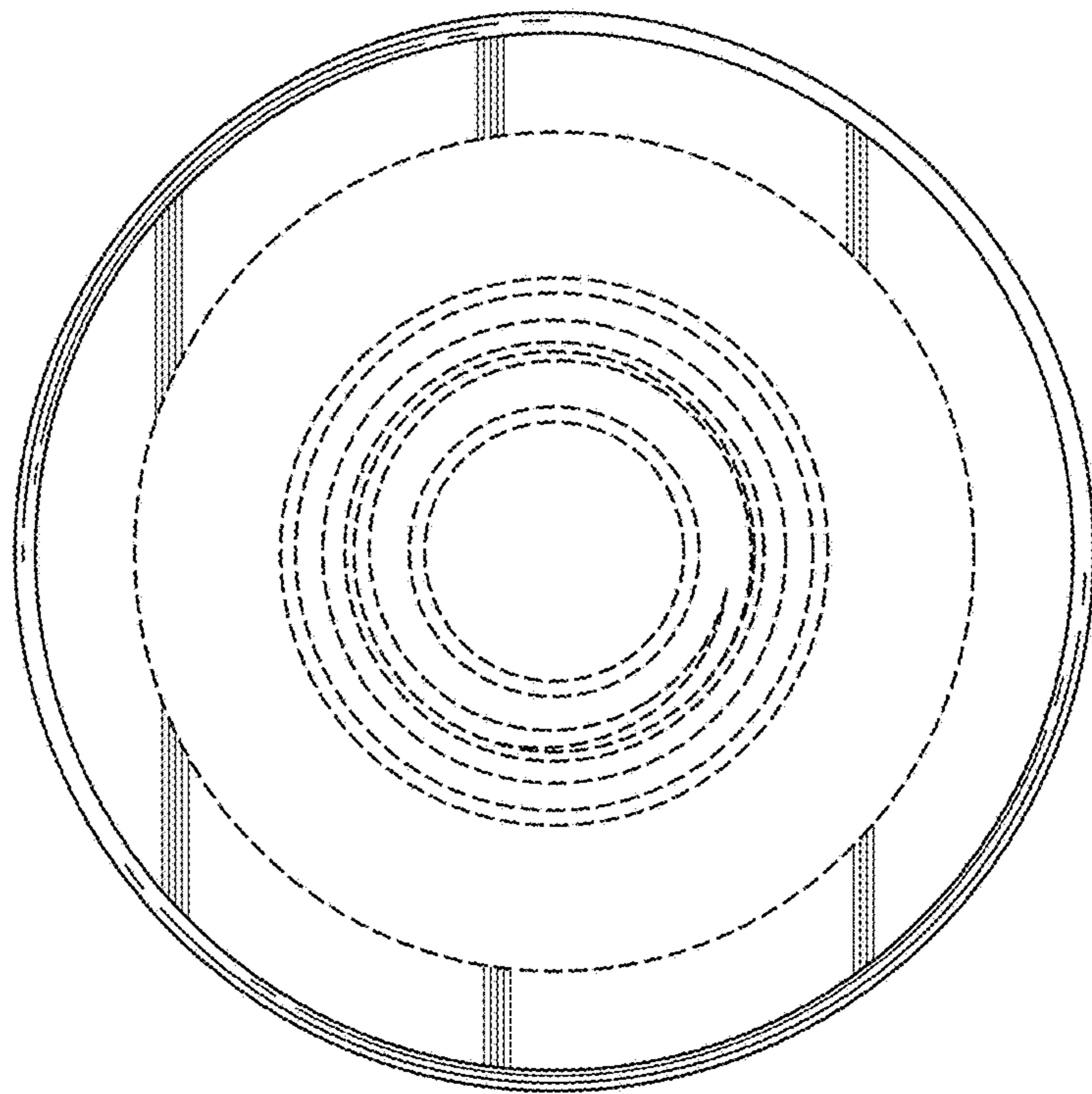


FIG. 10

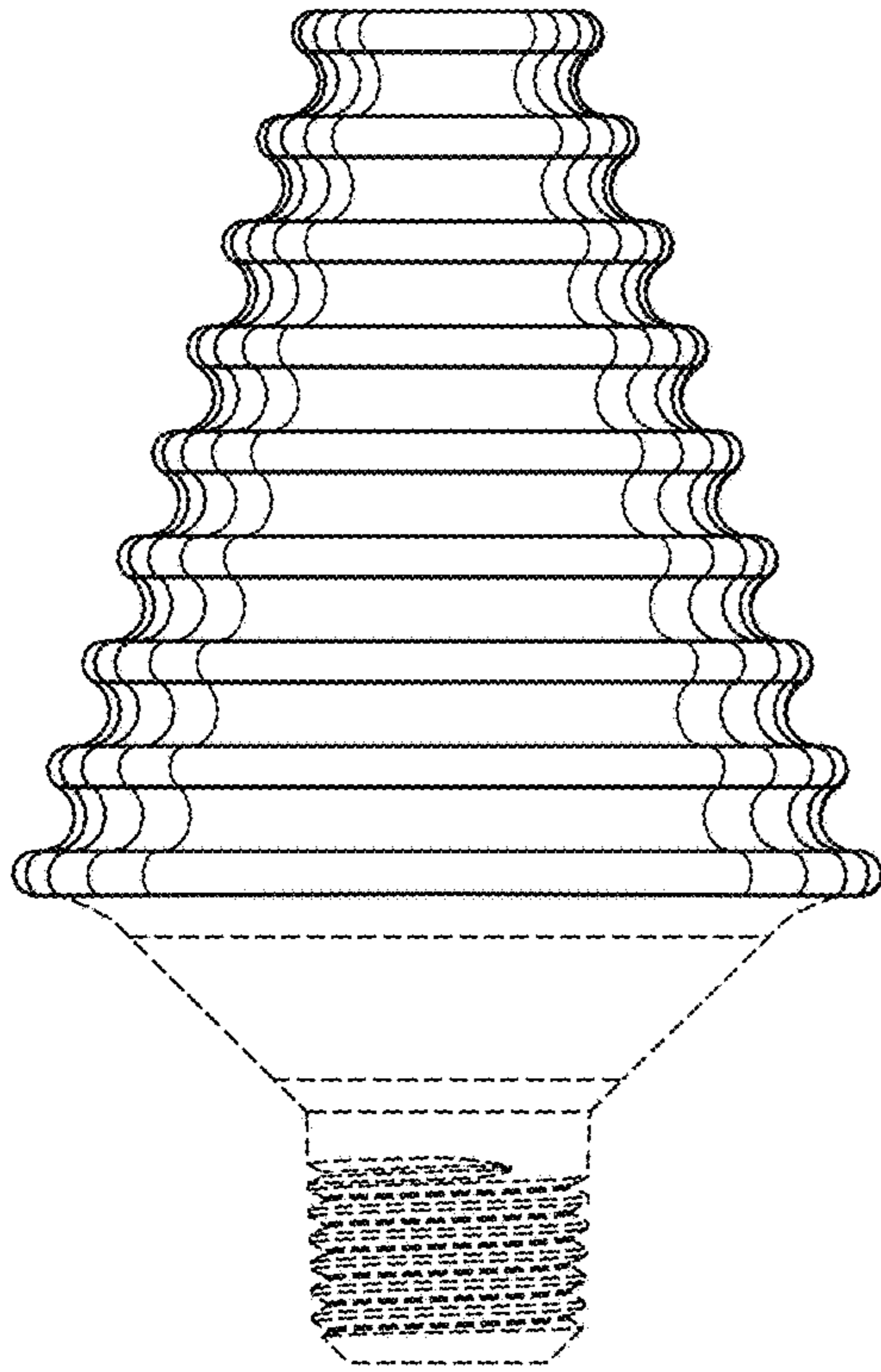


FIG. 11

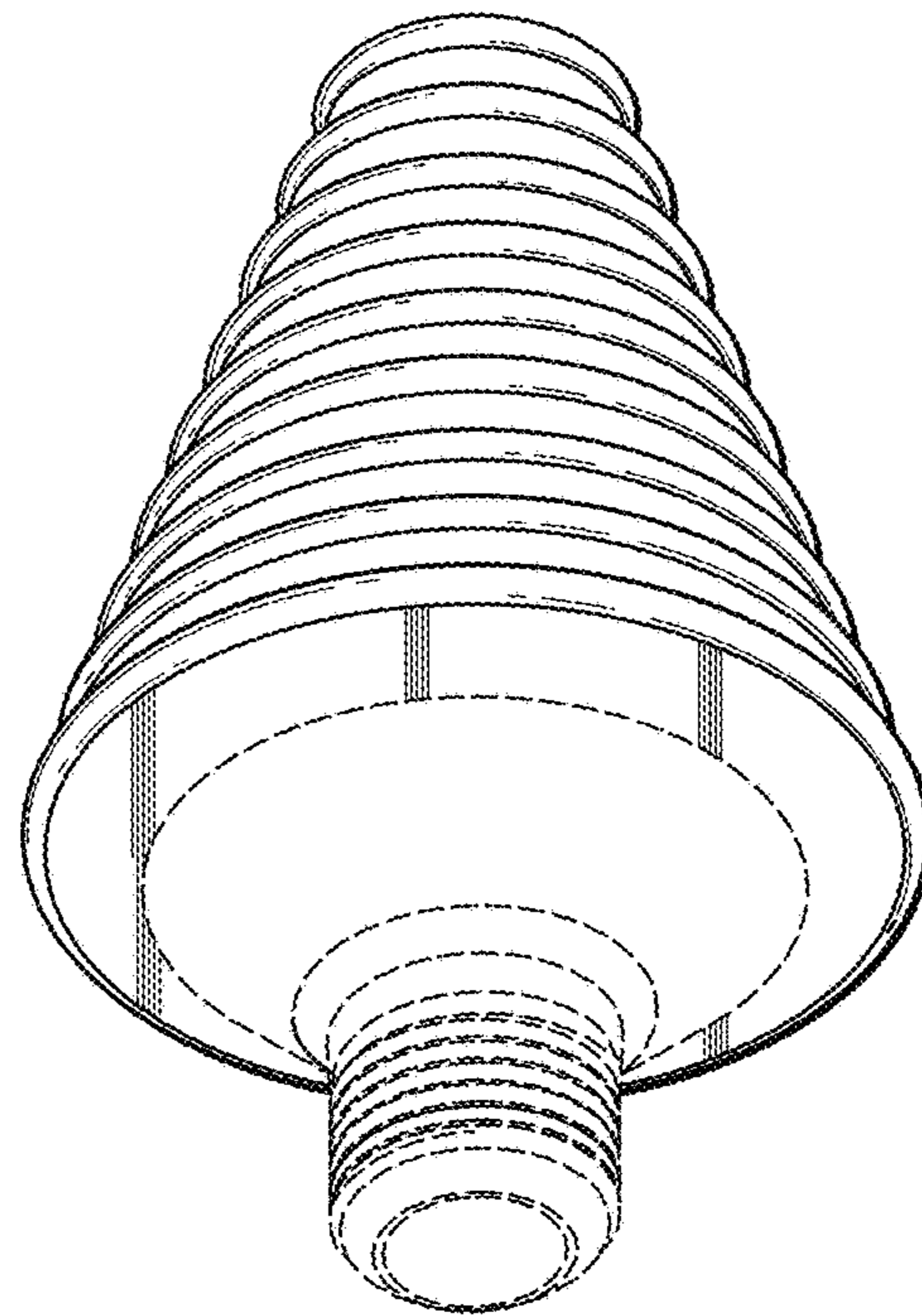


FIG. 12

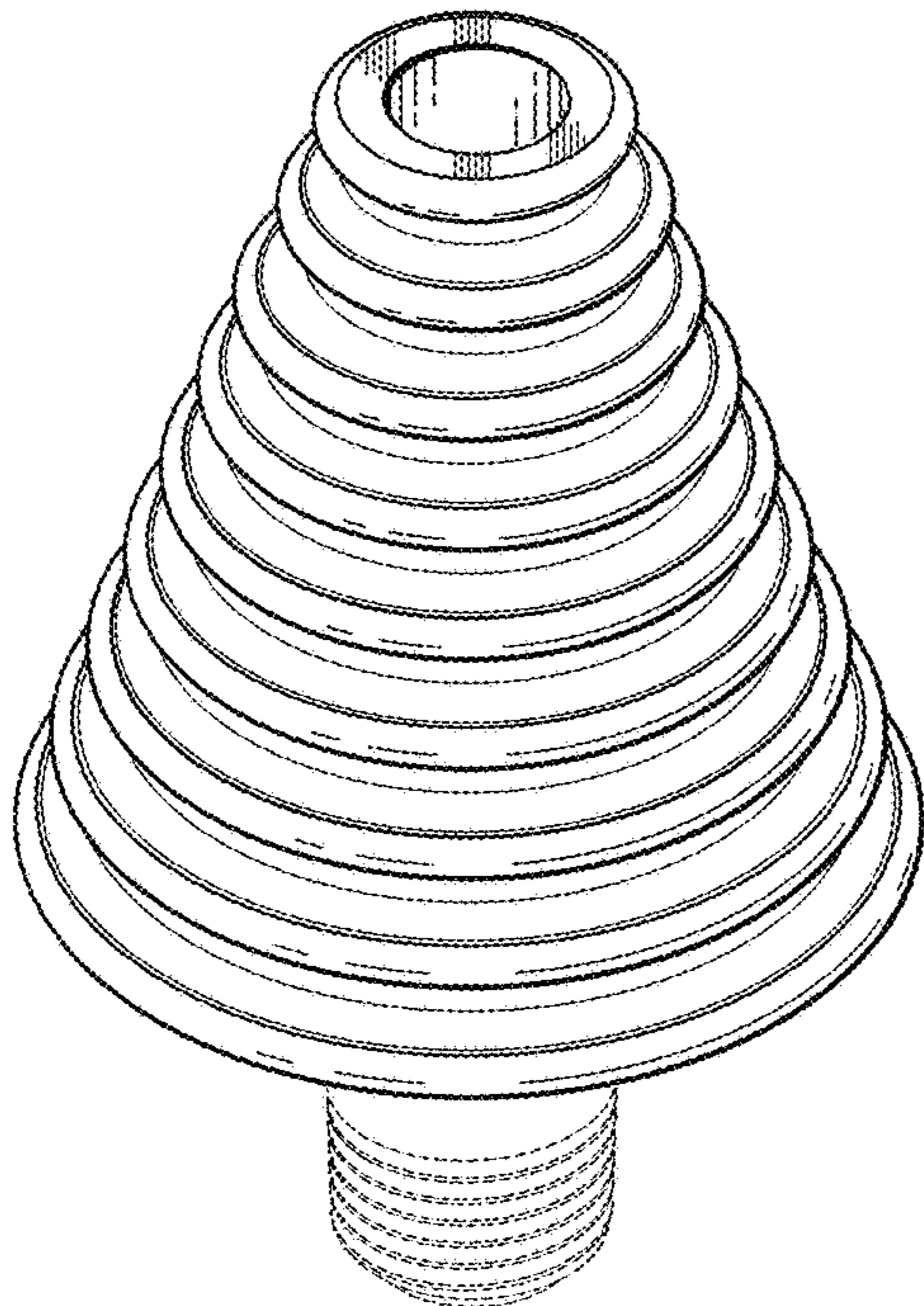


FIG. 13

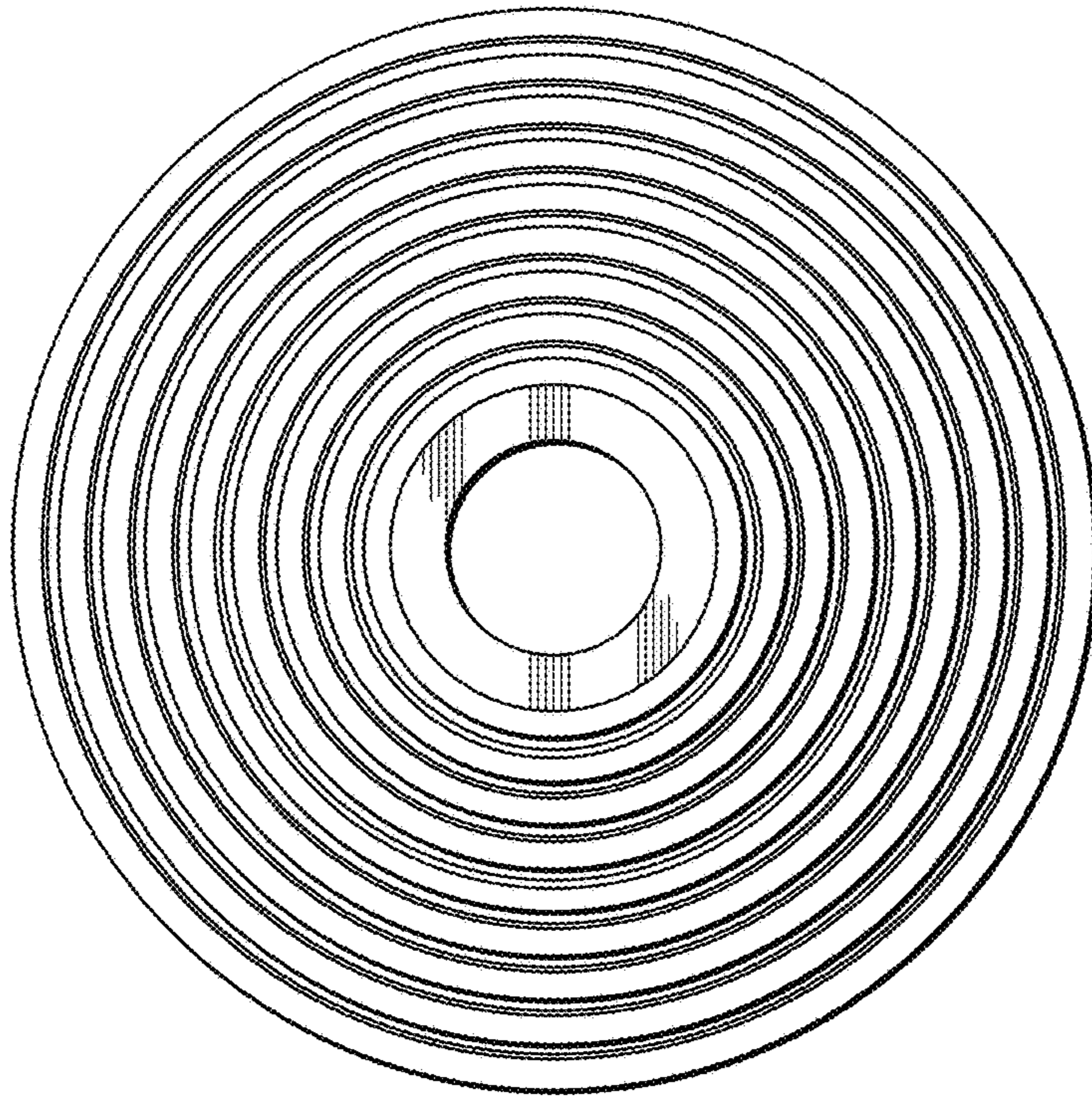


FIG. 14

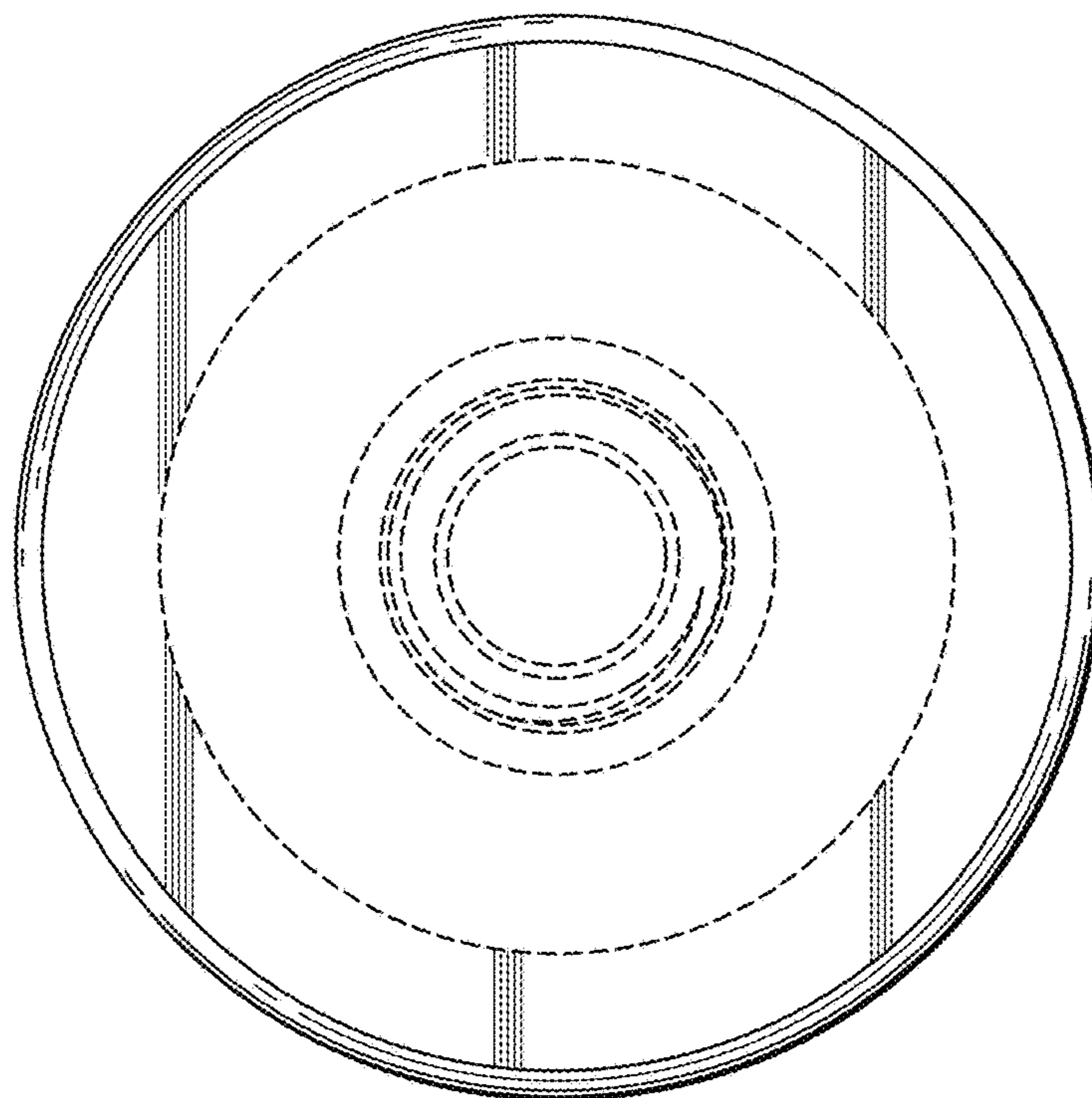


FIG. 15