



US00D817445S

(12) **United States Design Patent** (10) **Patent No.:** **US D817,445 S**
Zientara et al. (45) **Date of Patent:** **** May 8, 2018**

(54) **PAINT SPRAYER APPARATUS** D268,707 S * 4/1983 Ohmann D32/26
D277,499 S 2/1985 Slager
(71) Applicant: **Wagner Spray Tech Corporation,** 4,560,127 A 12/1985 Ippolito
Plymouth, MN (US) (Continued)

(72) Inventors: **Daniel Robert Zientara,** Lakeville, MN (US); **Jonathan L. Schaumann,** Champlin, MN (US); **Heiko Tullney,** Hamburg (DE)

(73) Assignee: **Wagner Spray Tech Corporation,** Plymouth, MN (US)

(**) Term: **15 Years**

(21) Appl. No.: **29/616,417**

(22) Filed: **Sep. 6, 2017**

Related U.S. Application Data

(63) Continuation of application No. 29/562,602, filed on Apr. 27, 2016, now Pat. No. Des. 800,252.

(51) **LOC (11) Cl.** **23-01**

(52) **U.S. Cl.**
USPC **D23/225**

(58) **Field of Classification Search**
USPC D23/201, 211, 213, 221, 223, 225, 226,
D23/229

CPC B05B 1/18; B05B 1/00-1/08; B05B 1/20;
B05B 15/063

See application file for complete search history.

(56) **References Cited**

U.S. PATENT DOCUMENTS

3,189,016 A 6/1965 Corlet
D235,996 S 7/1975 Schneider
4,003,504 A 1/1977 Johnson et al.
4,013,251 A 3/1977 Cleveland
D246,793 S * 12/1977 Goldman D23/210

OTHER PUBLICATIONS

Graco, Electric Sprayers, [http://www.graco.com/Distributors/DLibrary.nsf/Files/337555/\\$file/337555E.pdf](http://www.graco.com/Distributors/DLibrary.nsf/Files/337555/$file/337555E.pdf) (accessed Mar. 31, 2010). 24 pages.

(Continued)

Primary Examiner — Robin V Webster

Assistant Examiner — Rachel Voorhies

(74) *Attorney, Agent, or Firm* — Christopher J. Volkman; Kelly, Holt & Christenson, PLLC

(57) **CLAIM**

The ornamental design for a paint sprayer apparatus, as shown and described.

DESCRIPTION

FIG. 1 is a perspective view of the paint sprayer apparatus. FIG. 2 is a right side view of the paint sprayer apparatus. FIG. 3 is a left side view of the paint sprayer apparatus.

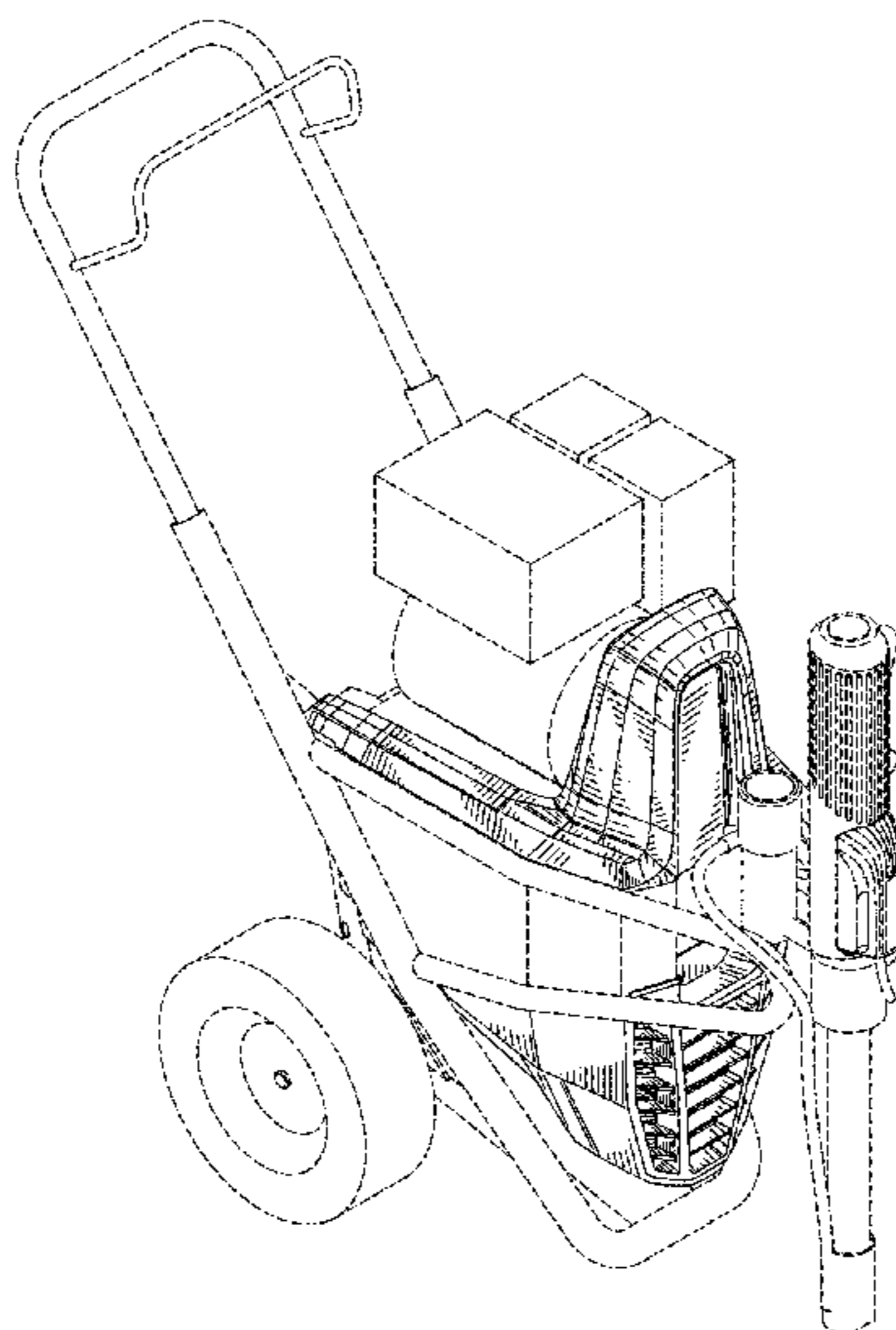
FIG. 4 is a back view of the paint sprayer apparatus. In FIG. 4, portions of the unclaimed environment shown in dashed lines, which would otherwise obscure portions of the claimed design, have been omitted.

FIG. 5 is a front view of the paint sprayer apparatus. In FIG. 5, portions of the unclaimed environment shown in dashed lines, which would otherwise obscure portions of the claimed design, have been omitted.

FIG. 6 is a top view of the paint sprayer apparatus. In FIG. 6, portions of the unclaimed environment shown in dashed lines, which would otherwise obscure portions of the claimed design, have been omitted; and,

FIG. 7 is a bottom view of the paint sprayer apparatus. The broken lines in the drawings illustrate portions of the paint sprayer apparatus which form no part of the claimed design.

1 Claim, 6 Drawing Sheets



(56)

References Cited

U.S. PATENT DOCUMENTS

D301,914 S * 6/1989 Ogasawara D10/85
 D307,589 S 5/1990 Ridgeon
 5,217,238 A 6/1993 Cyphers et al.
 5,263,789 A 11/1993 Torntore et al.
 5,286,045 A 2/1994 Cyphers et al.
 5,288,017 A 2/1994 Halovitz
 5,441,297 A 8/1995 Krohn et al.
 D371,435 S * 7/1996 Locke D23/365
 D386,242 S * 11/1997 Clack D23/209
 D427,283 S 6/2000 Bower et al.
 D429,314 S 8/2000 Bower et al.
 6,250,595 B1 8/2001 Campbell
 6,695,267 B2 2/2004 Liao
 6,962,353 B1 11/2005 Garcia
 D560,751 S * 1/2008 Miller D23/209
 D572,795 S 7/2008 Kieffer
 D580,518 S 11/2008 Johnson et al.
 D586,899 S * 2/2009 Searle D23/364
 D591,024 S 4/2009 Gammel et al.
 D597,173 S 7/2009 Mulgrew et al.
 D608,414 S 1/2010 Legatt et al.
 D630,296 S * 1/2011 Quintel D23/209
 7,963,532 B2 6/2011 Feitel
 D694,276 S * 11/2013 Kunzendorf D15/9
 D717,420 S * 11/2014 Von Seggern D23/365
 D724,179 S * 3/2015 Keenan D23/209
 8,979,001 B2 3/2015 Peterson et al.
 D731,617 S * 6/2015 Kohl D23/209
 D733,840 S 7/2015 Butler et al.
 D770,848 S * 11/2016 Wilson D23/209
 D771,222 S 11/2016 Pellin et al.
 D792,946 S * 7/2017 Johnston D23/225
 D793,520 S * 8/2017 Reckin D23/209
 D793,544 S * 8/2017 Ramirez D23/365
 D794,162 S * 8/2017 Johnston D23/225
 D794,754 S * 8/2017 Johnston D23/225
 9,757,740 B2 * 9/2017 Erickson B05B 1/1618
 D802,712 S * 11/2017 Downie D23/209

2004/0084552 A1 5/2004 Huartson
 2005/0054973 A1 3/2005 Schroeder et al.
 2005/0230497 A1 10/2005 Gundarsen et al.
 2006/0196967 A1 9/2006 Monty
 2008/0245894 A1 10/2008 Ossian et al.
 2010/0294855 A1 11/2010 Johnson et al.
 2011/0253229 A1 10/2011 Mattson et al.
 2011/0260418 A1 10/2011 Feitel
 2011/0297756 A1 12/2011 Peterson et al.
 2013/0020410 A1 1/2013 Conrad
 2013/0200173 A1 8/2013 Wolfgram et al.
 2014/0252138 A1 9/2014 Wischstadt et al.
 2015/0283575 A1 10/2015 Miller et al.
 2015/0352570 A1 12/2015 Lins et al.
 2017/0173602 A1 * 6/2017 Erickson B05B 1/1618

OTHER PUBLICATIONS

Wagner, Twin Stroke Piston Pump Owner's manual, 2005, 28 pages.
 Sherwin-Williams Company, Ultimate Mx 695 Airless Paint Sprayer Owner's manual, 1997, 36 pages.
 Prosecution History for U.S. Appl. No. 12/795,378 including: Issue Notification dated Feb. 25, 2015, Notice of Allowance dated Dec. 31, 2014, Amendment dated Sep. 18, 2014, Non-Final Office Action dated Jun. 18, 2014, Applicant Initiated Interview Summary dated Mar. 3, 2014, Amendment with RCE dated Feb. 25, 2014, Final Office Action dated Dec. 2, 2013, Amendment dated Sep. 5, 2013, Non-Final Office Action dated Jun. 5, 2013, Amendment with RCE dated Feb. 14, 2013, Part 1 of 2.
 Prosecution History for U.S. Appl. No. 12/795,378 including: Final Office Action dated Dec. 14, 2012, Amendment dated Oct. 2, 2012, Non-Final Office Action dated Aug. 1, 2012, Response to Restriction Requirement dated Jul. 9, 2012, Restriction Requirement dated Jun. 18, 2012, and Application and Drawings filed Jun. 7, 2010, Part 2 of 2, 142 pages.
 Prosecution History for Design U.S. Appl. No. 29/562,602 including: Notice of Allowance dated Jul. 13, 2017, and Application and Drawings filed Apr. 27, 2016, 44 pages.

* cited by examiner

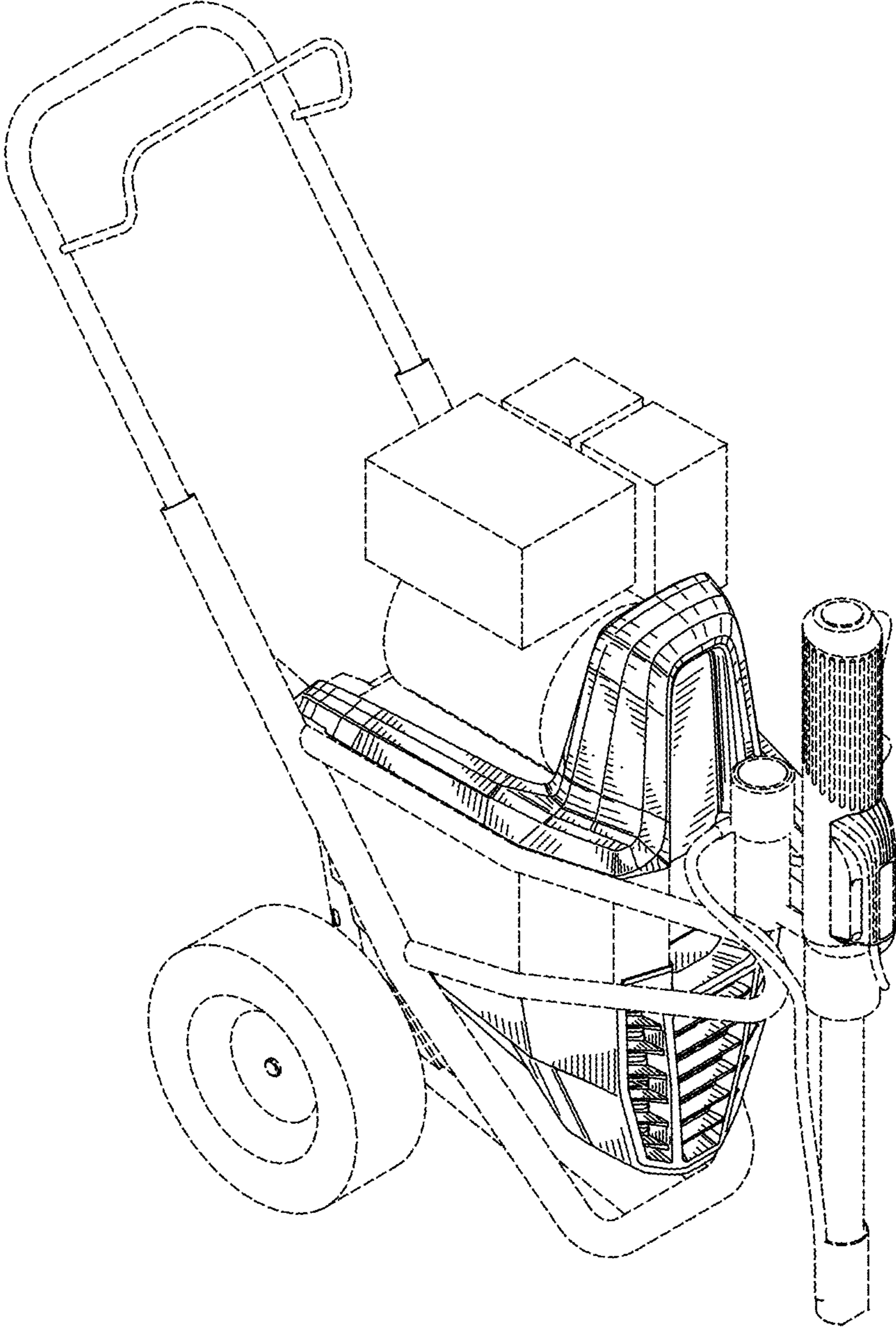


Fig. 1

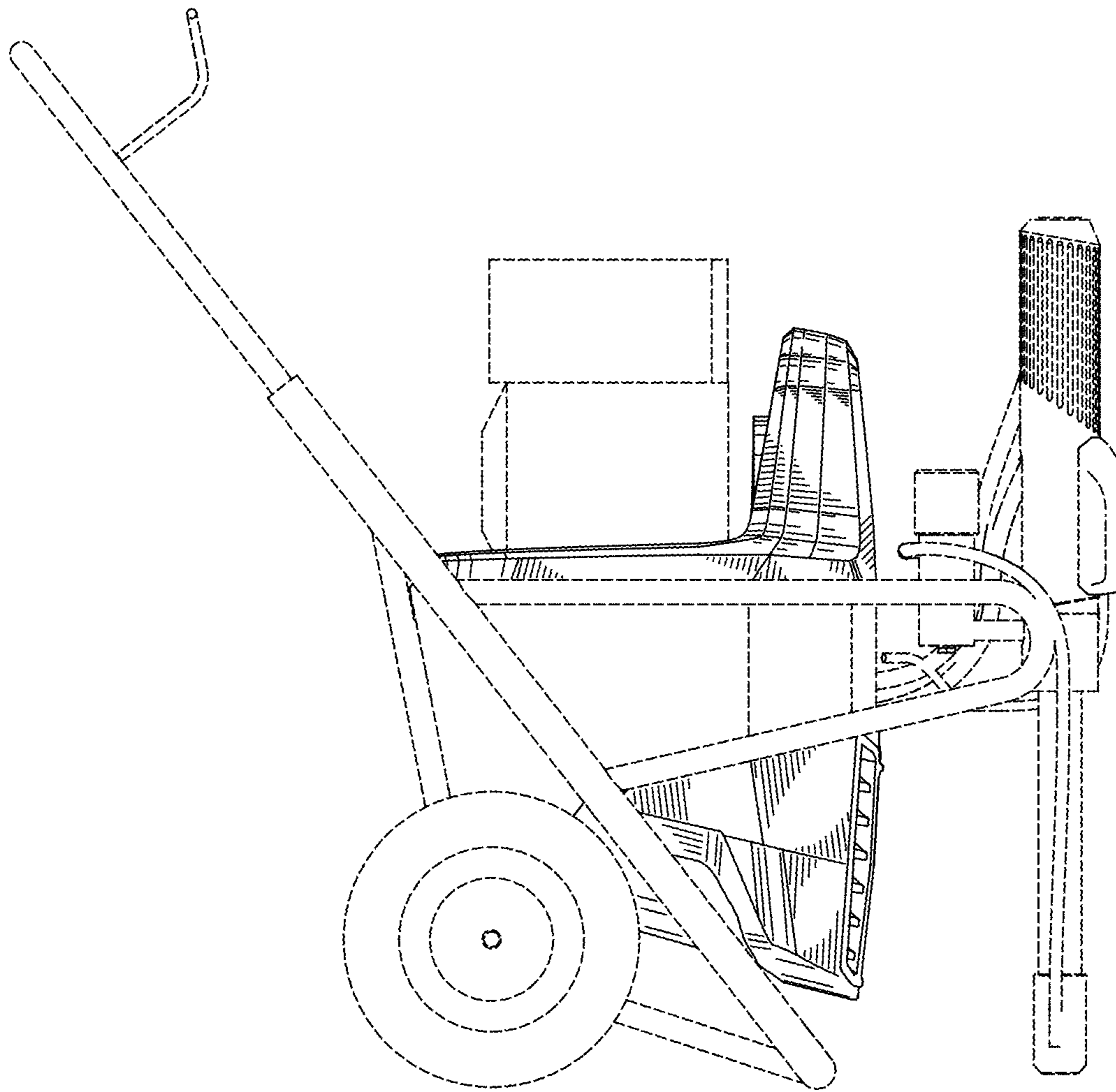


Fig. 2

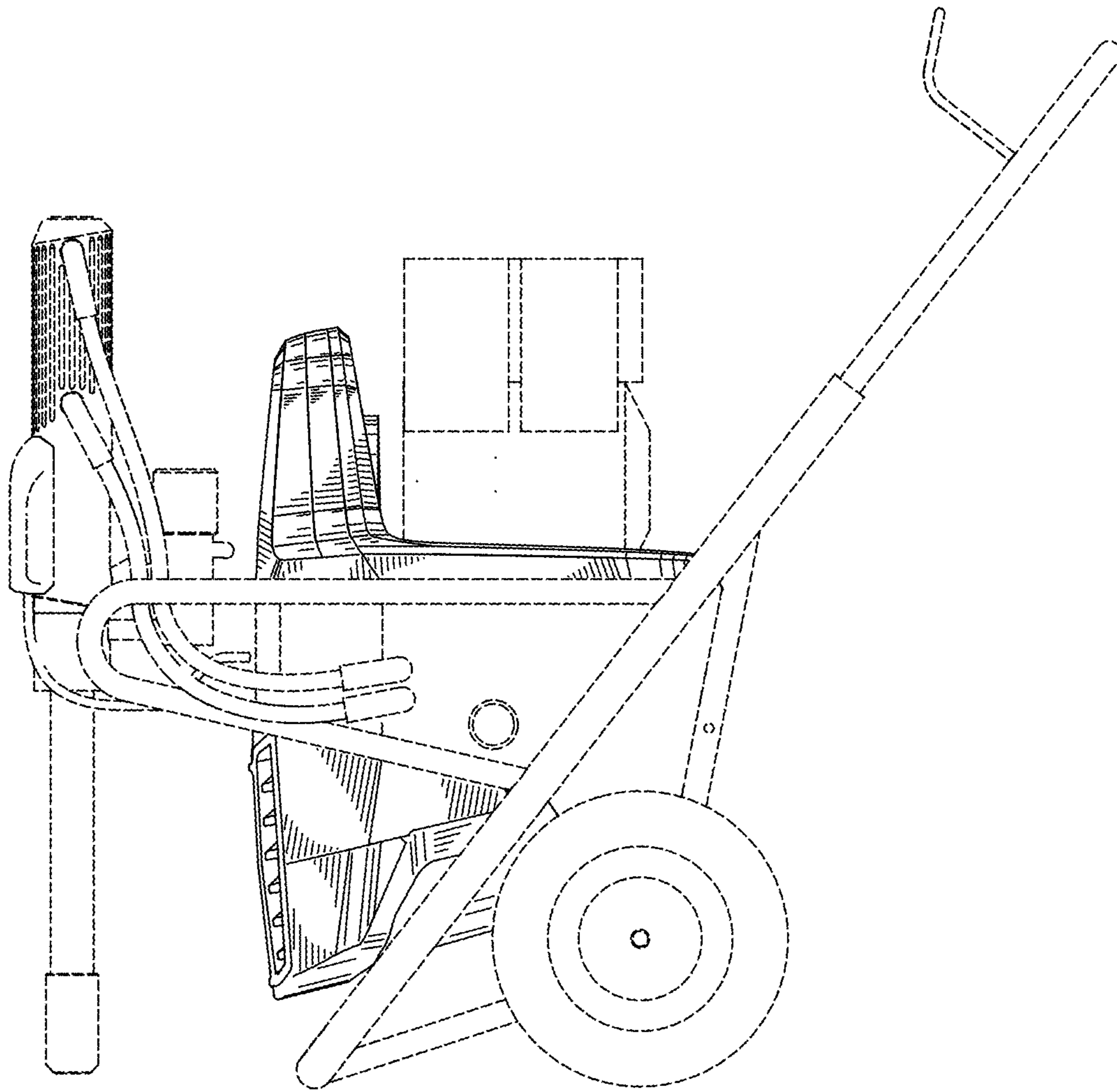


Fig. 3

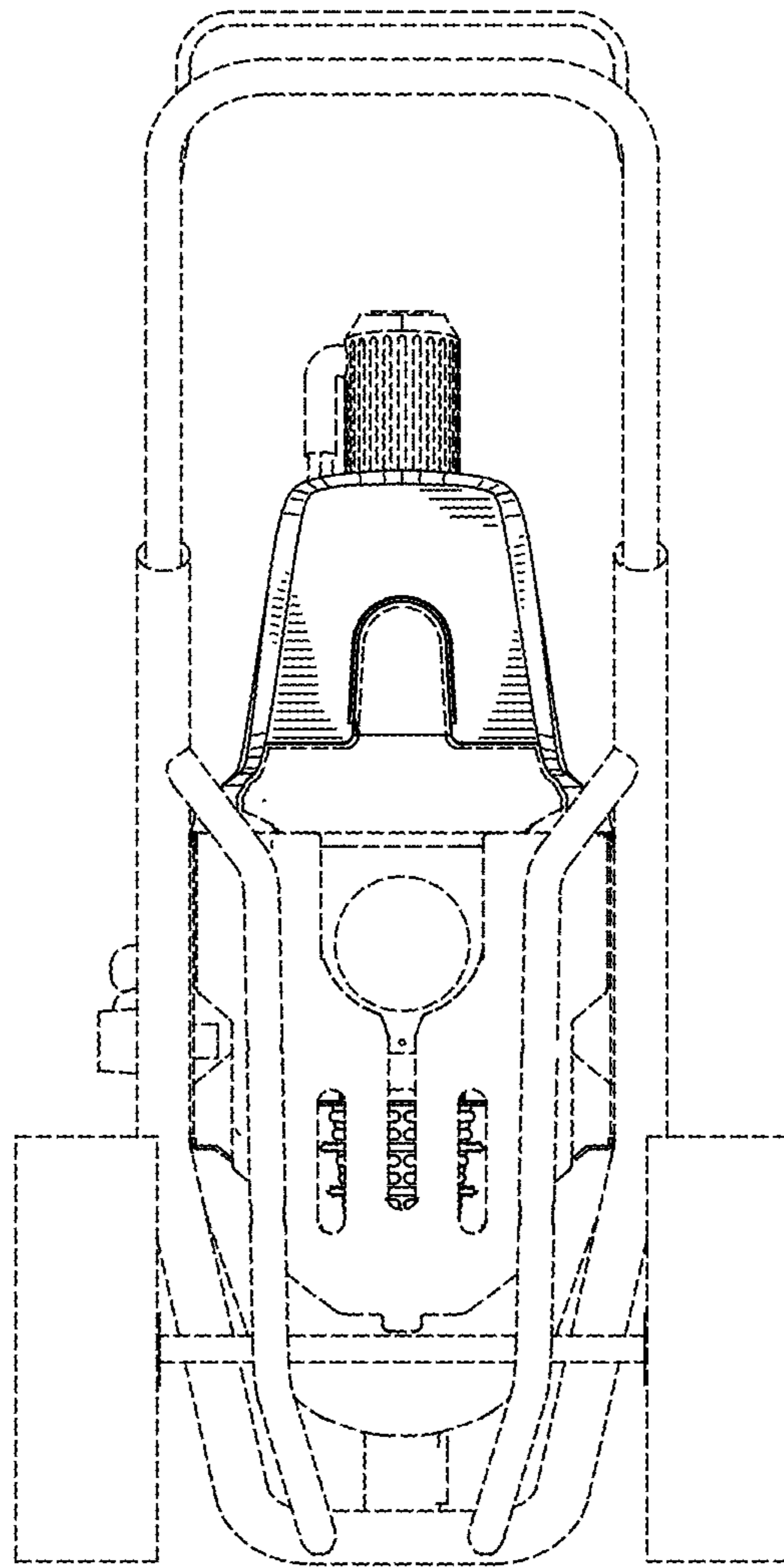


Fig. 4

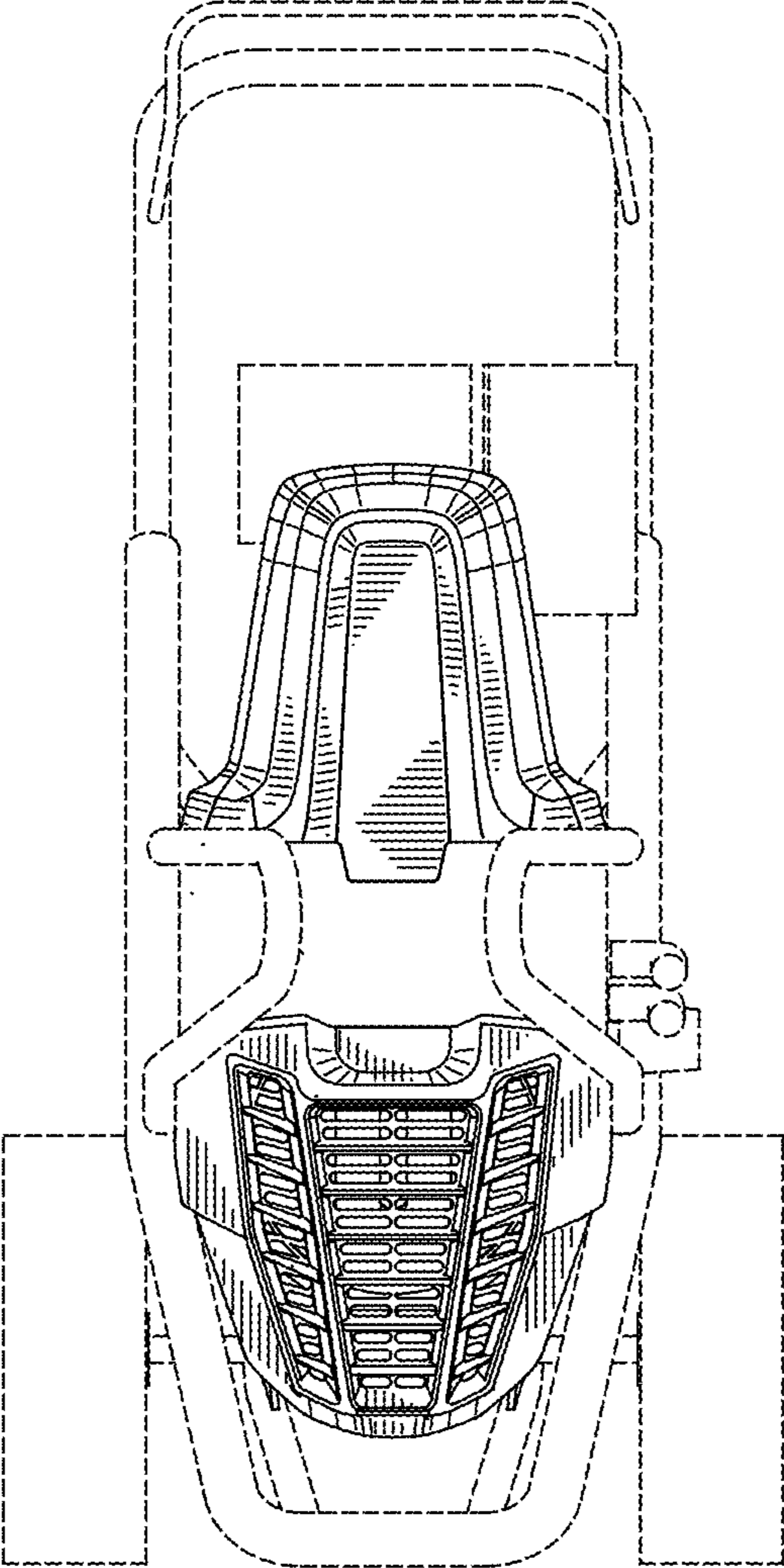


Fig. 5

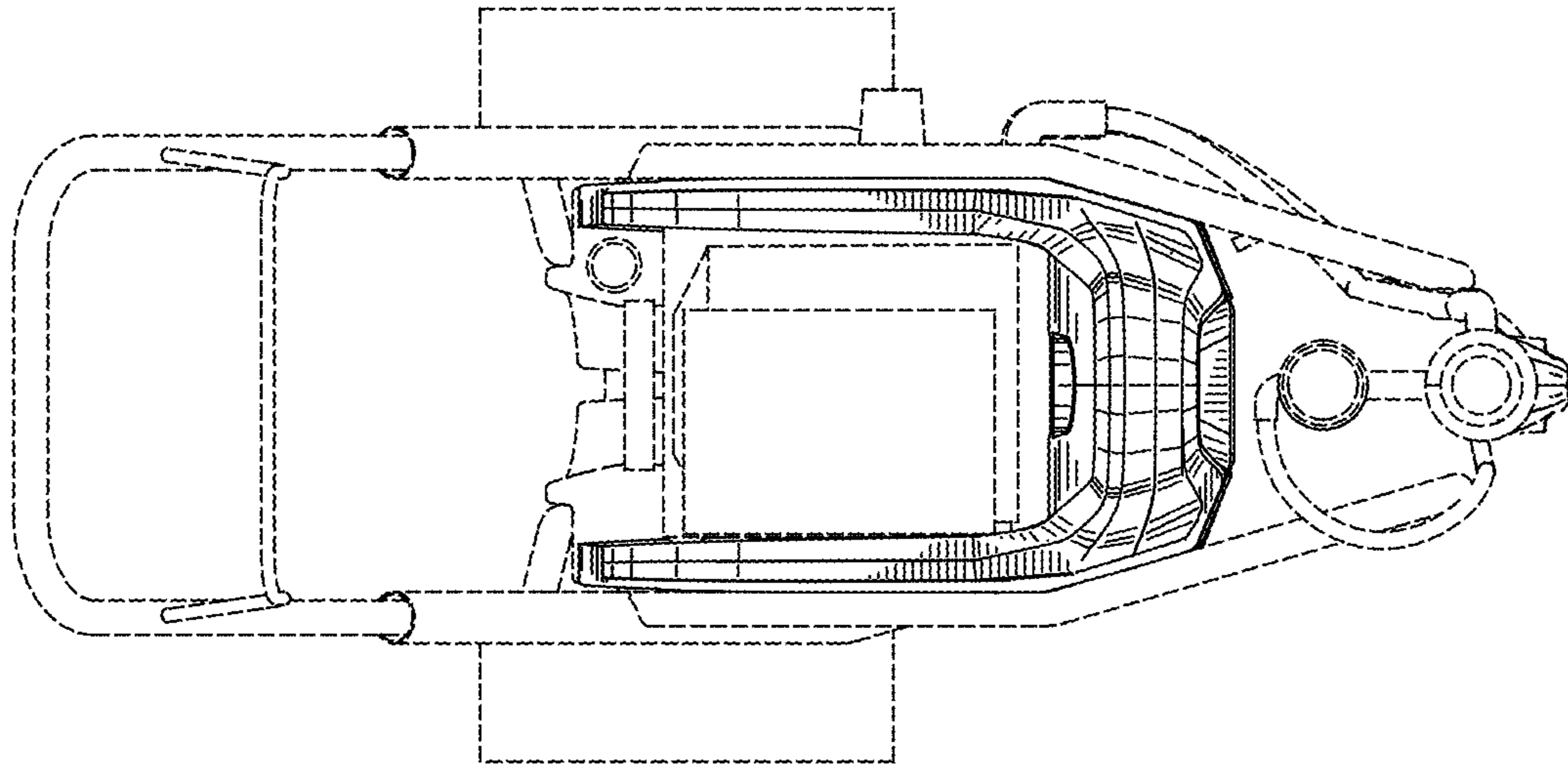


Fig. 6

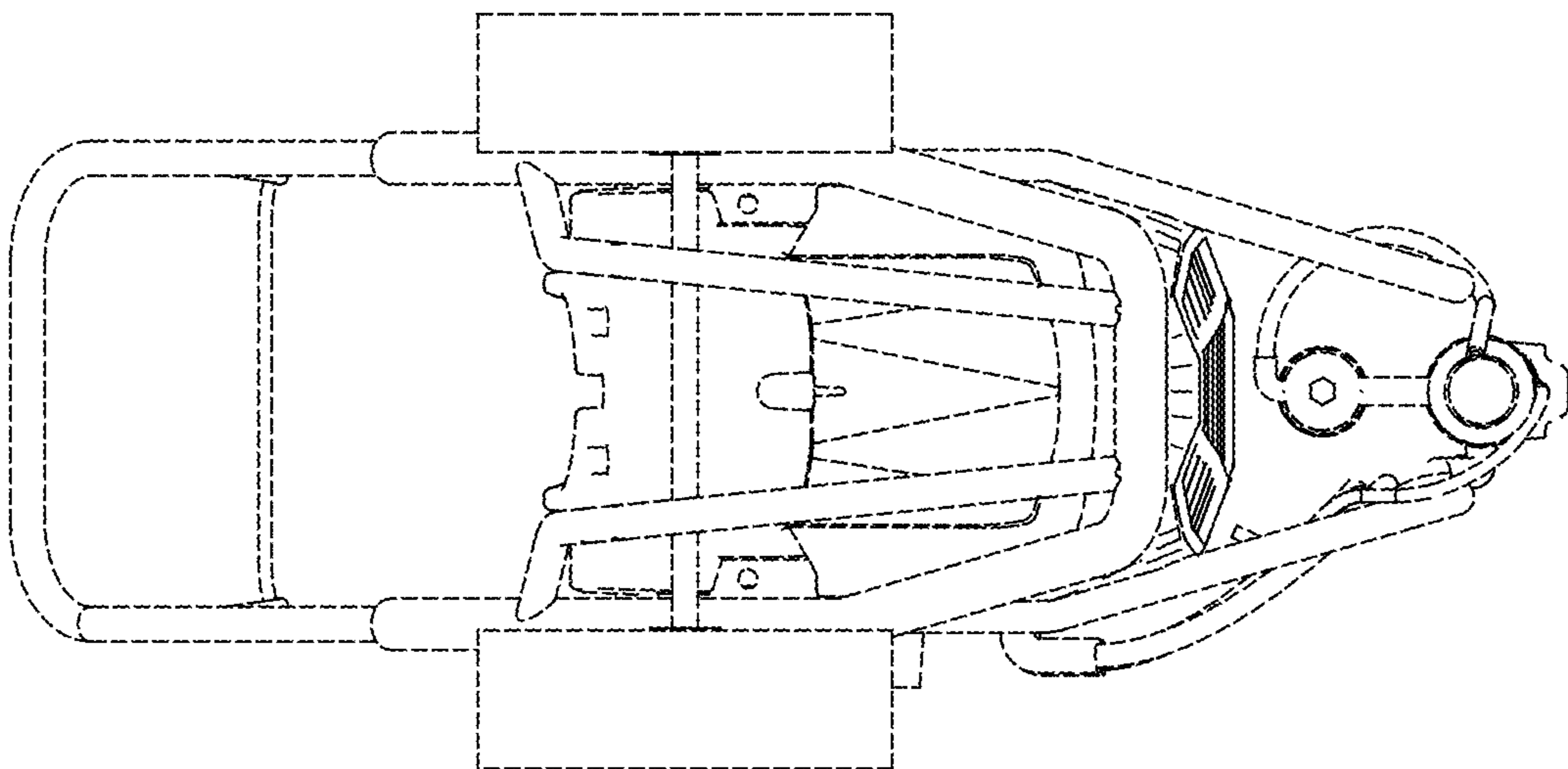


Fig. 7