



US00D817442S

(12) **United States Design Patent**
Obermöller

(10) **Patent No.:** **US D817,442 S**

(45) **Date of Patent:** **** *May 8, 2018**

(54) **VALVE**

D537,919 S * 3/2007 Yamashita D23/233
7,469,709 B2 * 12/2008 Bridgeford F16K 3/029

(71) Applicant: **Karl Dungs GmbH & Co. KG**,
Urbach (DE)

D620,555 S * 7/2010 Chuang D23/233
(Continued)

(72) Inventor: **Nils Obermöller**, Schorndorf (DE)

FOREIGN PATENT DOCUMENTS

(73) Assignee: **KARL DUNGS GMBH & CO. KG**,
Urbach (DE)

DE 102012202569 A1 * 8/2013 F01L 1/143
EM 002765309 A1 * 8/2014 F04B 1/063

(Continued)

(*) Notice: This patent is subject to a terminal disclaimer.

OTHER PUBLICATIONS

(**) Term: **15 Years**

MultiBlock posted by Dungs posted date unknown, © Dungs Combustion Control, [online], [site visited Aug. 31, 2017]. Available from Internet, <https://www.dungs.com/en/service/press-information/>.*

(Continued)

(21) Appl. No.: **29/577,659**

(22) Filed: **Sep. 14, 2016**

(51) **LOC (11) Cl.** **23-01**

(52) **U.S. Cl.**

USPC **D23/223**; D13/118

(58) **Field of Classification Search**

USPC D23/233–237, 244–249; D13/118;
436/160; 422/51; D15/199, 5; 137/554,
137/557, 560, 882, 884, 269, 271, 343,
137/625.64; 251/12, 129.04, 219, 331,
251/30.01

CPC .. F01L 9/04; F01L 1/143; F04B 1/063; F16K
27/08; F16K 31/12; F16K 31/0675; F16K
31/1266; F16K 31/007; F16K 31/0679

See application file for complete search history.

Primary Examiner — Cynthia Ramirez

Assistant Examiner — Laura H Yu

(74) *Attorney, Agent, or Firm* — Fitch, Even, Tabin &
Flannery LLP

(57)

CLAIM

I claim the ornamental design for a valve, as shown and described.

DESCRIPTION

FIG. 1 is a perspective view of a valve of my new design; FIG. 2 is a front elevational view of the valve of FIG. 1; FIG. 3 is a rear elevational view of the valve of FIG. 1; FIG. 4 is a right side elevational view of the valve of FIG. 1;

FIG. 5 is a left side elevational view of the valve of FIG. 1; FIG. 6 is a top plan view of the valve of FIG. 1; and, FIG. 7 is a bottom plan view of the valve of FIG. 1.

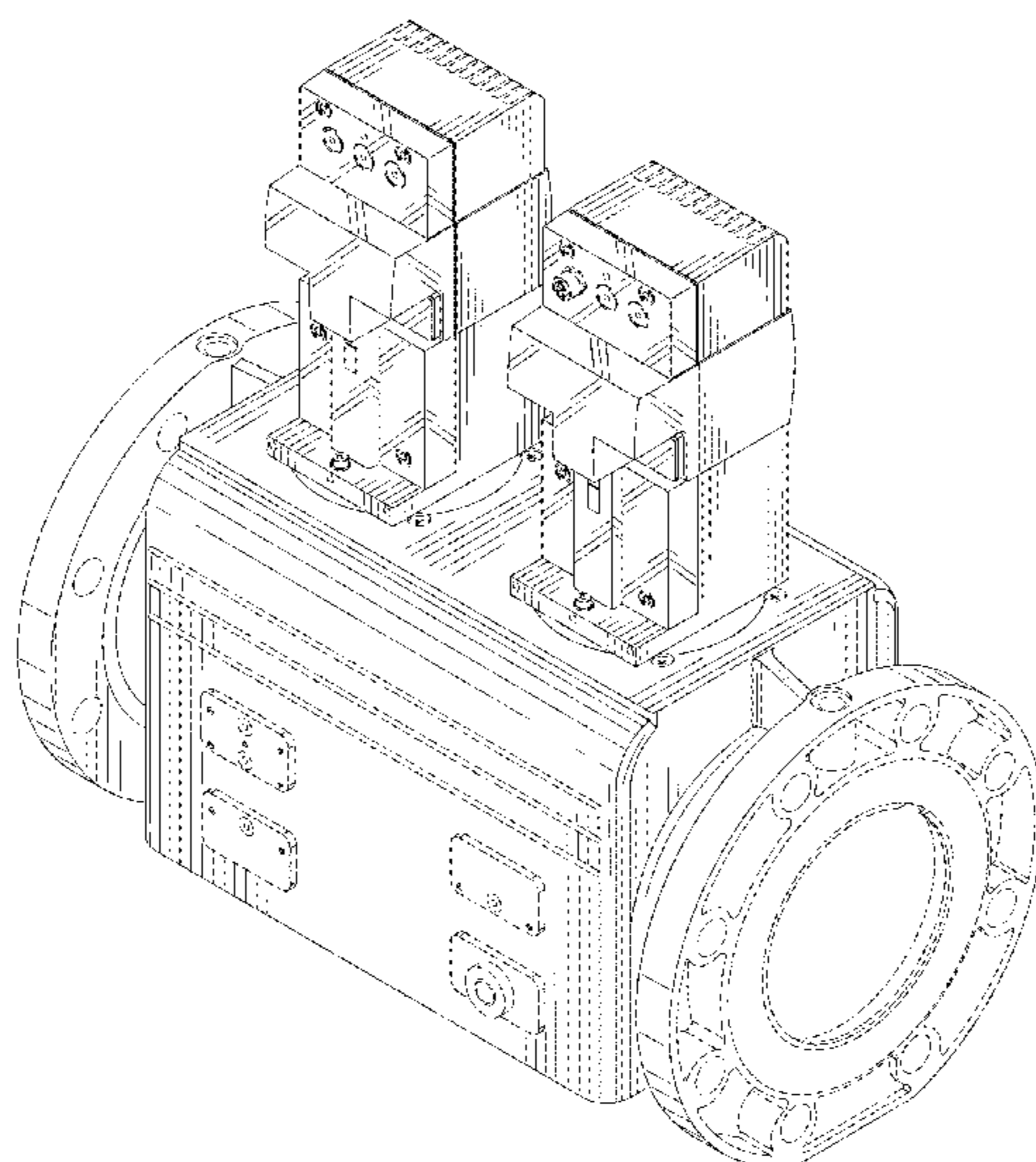
The broken lines in the figures are for the purpose of illustrating portions of the valve that form no part of the claimed design.

1 Claim, 6 Drawing Sheets

(56) **References Cited**

U.S. PATENT DOCUMENTS

D246,907 S * 1/1978 Fialkowski D23/233
D370,054 S * 5/1996 Nakadaira D23/245
D410,522 S * 6/1999 Hayashi D23/233
D463,011 S * 9/2002 Hirose D23/245
D496,091 S * 9/2004 Katzman D23/235
D504,715 S * 5/2005 Hagihara D23/235



(56)

References Cited

U.S. PATENT DOCUMENTS

D636,460	S *	4/2011	Hayashi	D23/233
7,947,223	B2 *	5/2011	Carlsson	G01N 25/20 374/31
D650,337	S *	12/2011	Bonomi	D13/158
8,783,295	B2 *	7/2014	Igarashi	137/271
D731,028	S *	6/2015	Weidner	D23/233
9,304,517	B2 *	4/2016	Hirai	G05D 7/012
2009/0301581	A1 *	12/2009	MacNeal	F16K 1/306 137/505.14
2015/0034846	A1 *	2/2015	Fan	F16K 3/00 251/12
2016/0040800	A1 *	2/2016	Gosling	F16K 27/065 251/367

FOREIGN PATENT DOCUMENTS

EM	0003029149-0004	*	3/2016	
EM	0003029149-0006	*	3/2016	
EM	0003029149-0007	*	3/2016	
JP	2015037856	*	9/2016 F16K 31/44

OTHER PUBLICATIONS

Combustion Controls posted by Dungs posted date Mar. 10, 2017,
 © Dungs Combustion Control, [online], [site visited Aug. 31, 2017].
 Available from Internet, <https://www.dungs.com/en/service/press-information/>.*

* cited by examiner

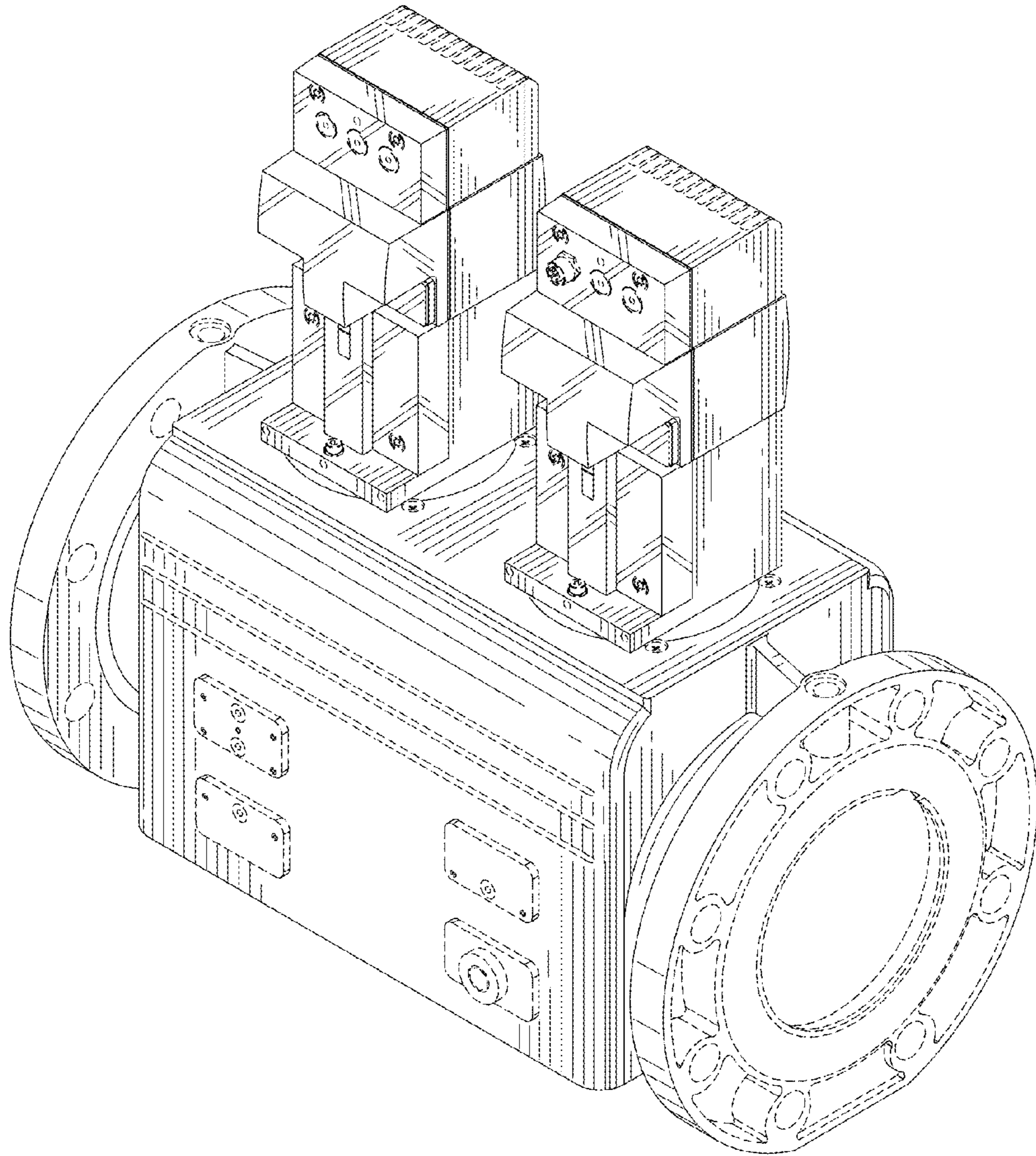


FIG. 1

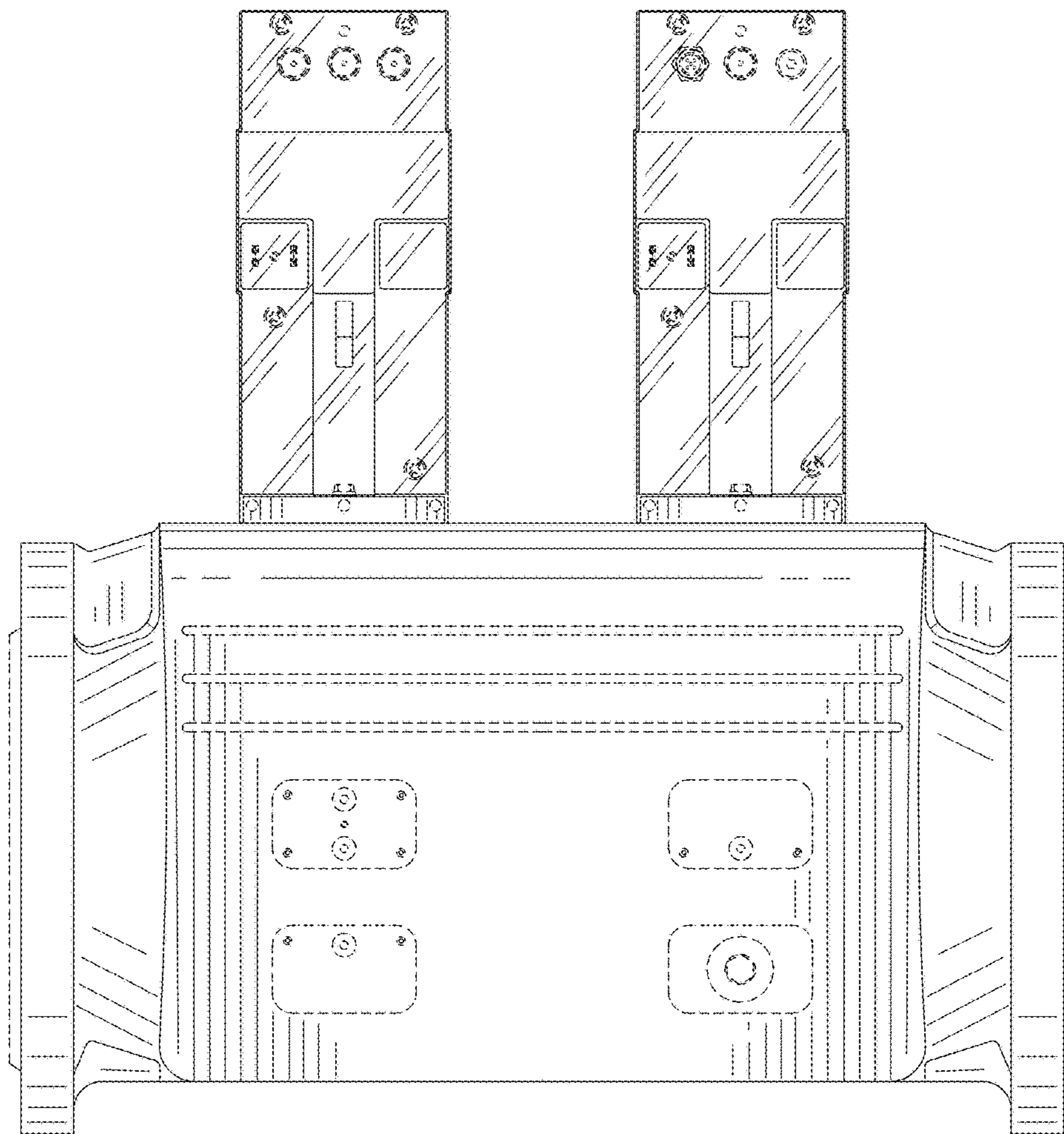


FIG. 2

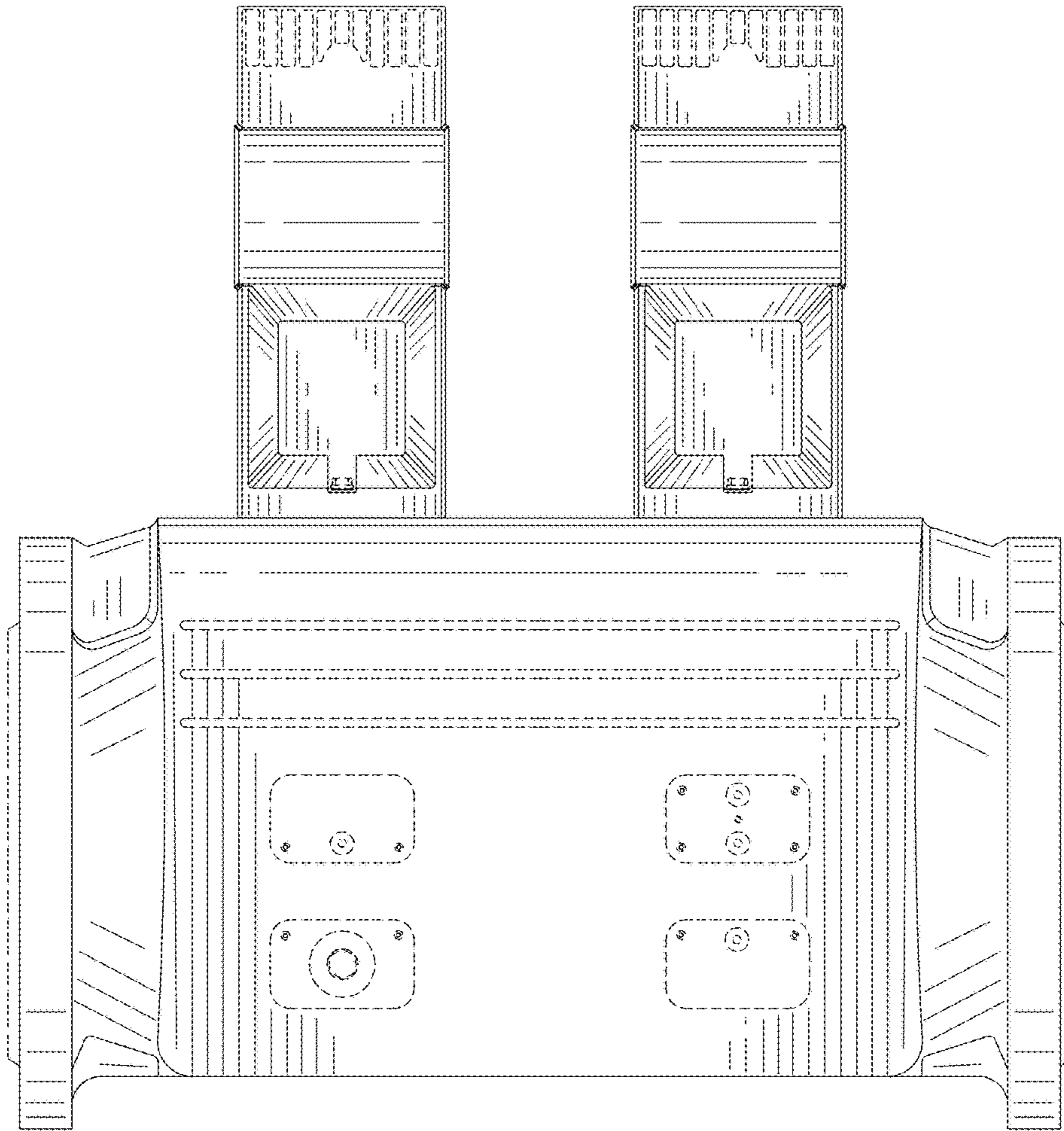


FIG. 3

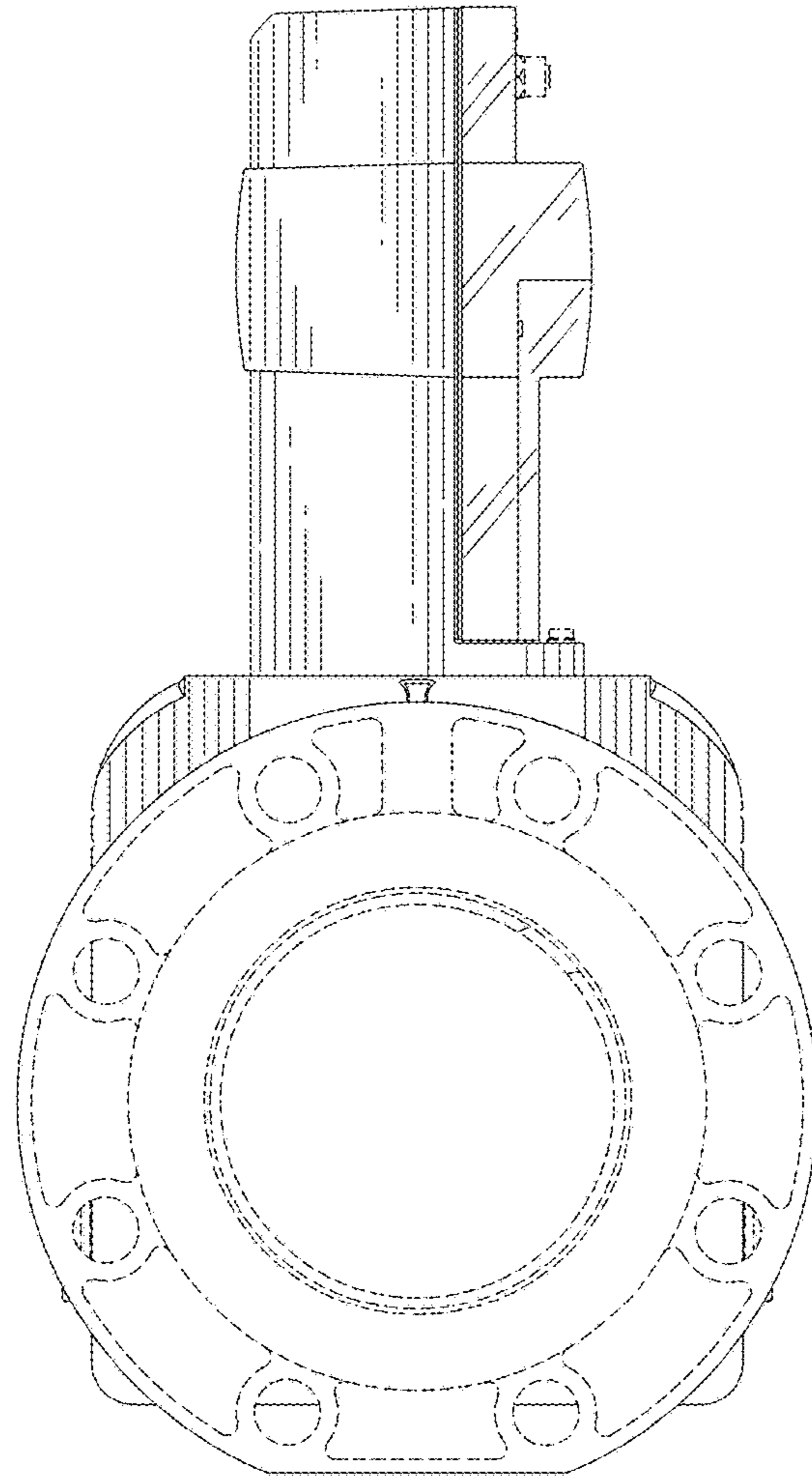


FIG. 4

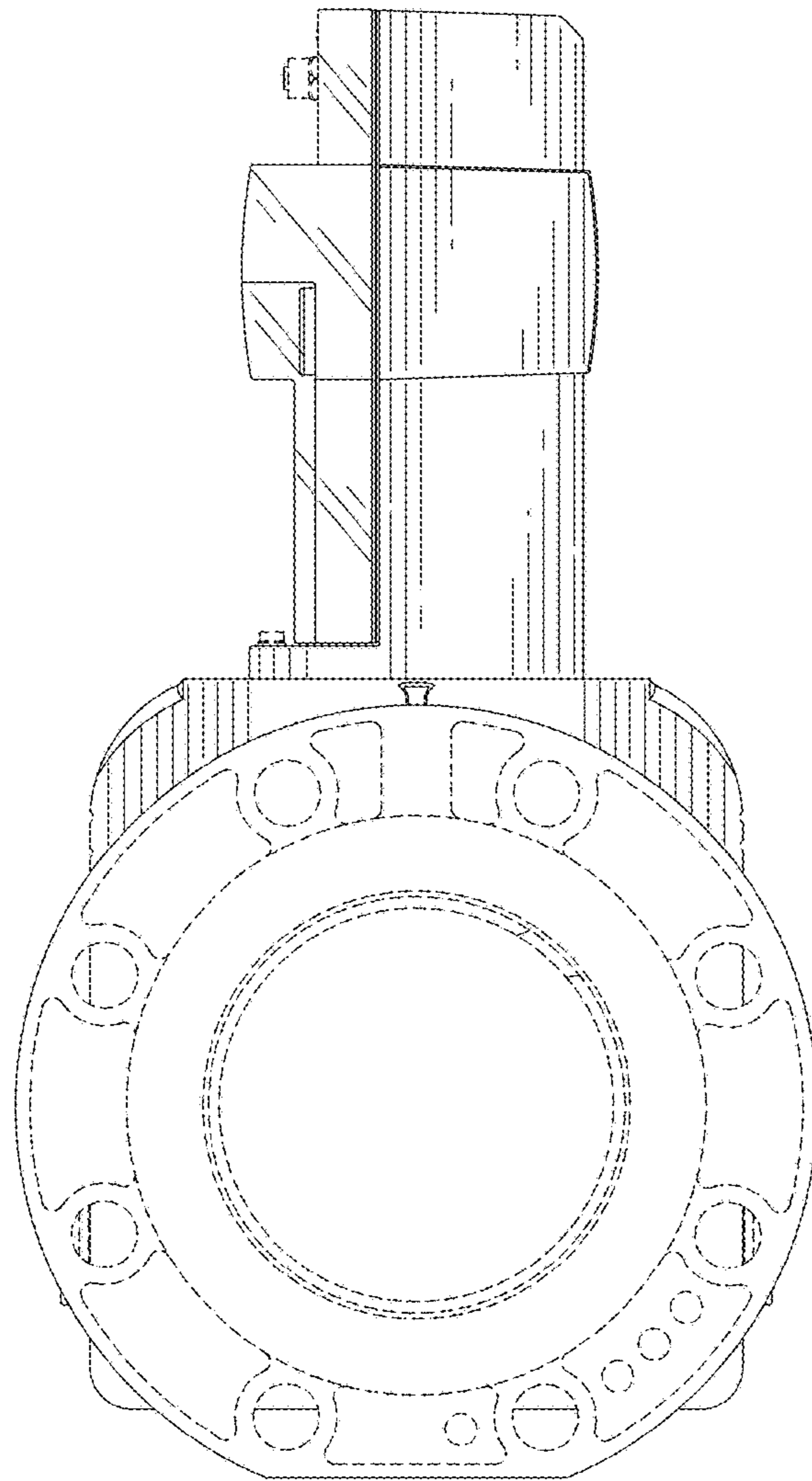


FIG. 5

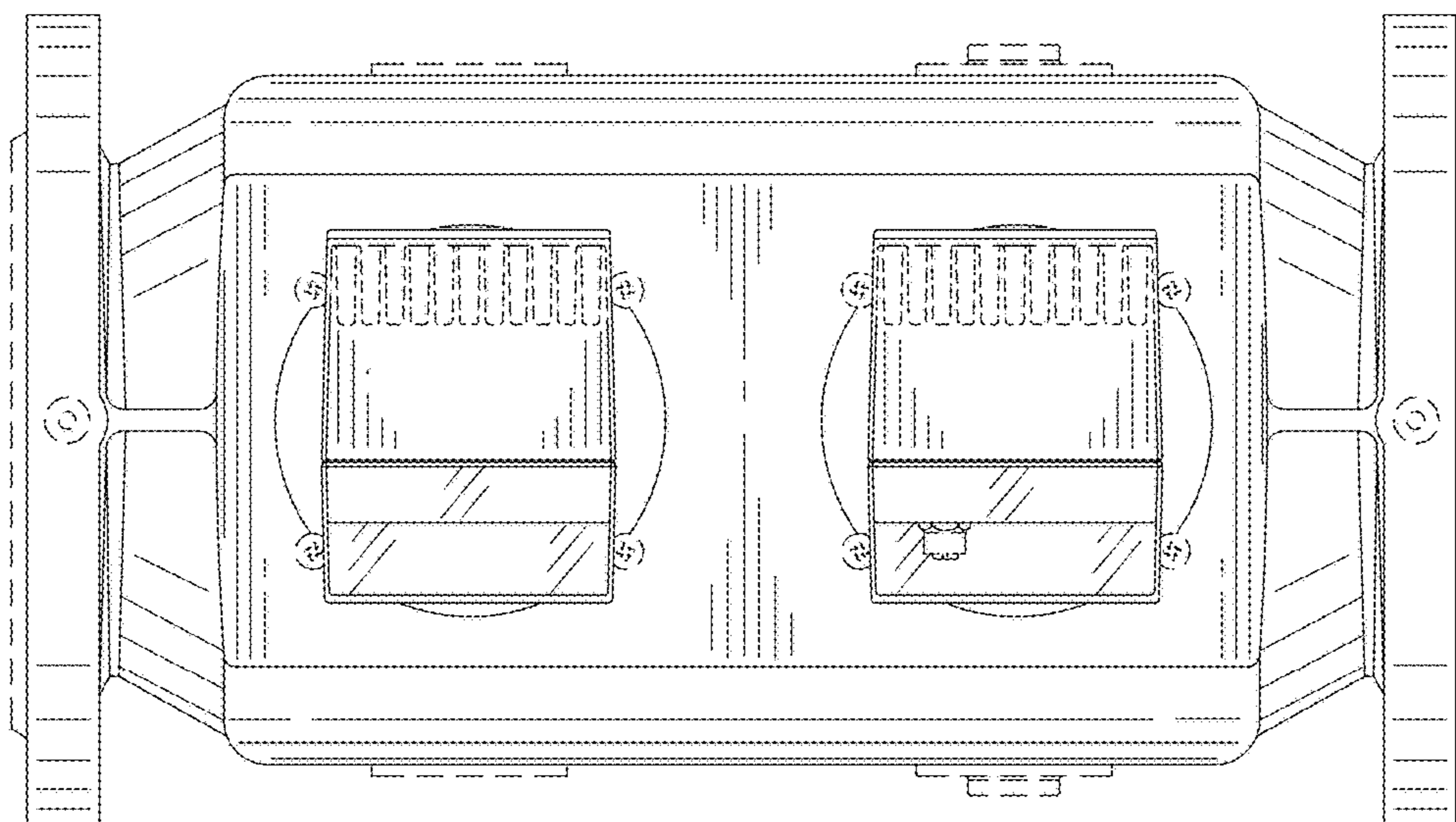


FIG. 6

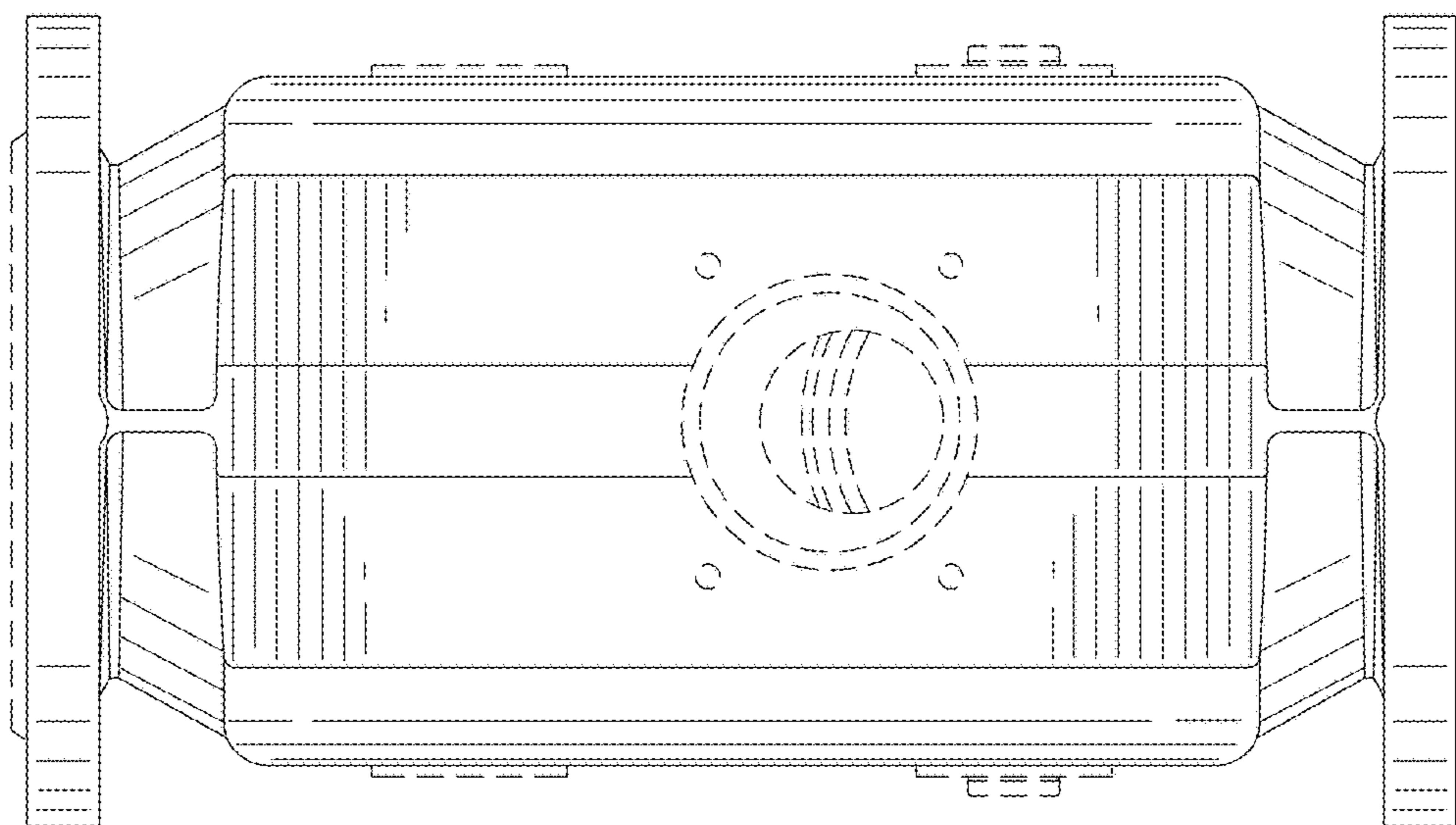


FIG. 7