



US00D817437S

(12) **United States Design Patent**  
**Hancosky**

(10) **Patent No.:** **US D817,437 S**

(45) **Date of Patent:** **\*\* May 8, 2018**

(54) **SNAP-ON MOUNT**

(71) Applicant: **Jack Hancosky**, Avoca, NY (US)

(72) Inventor: **Jack Hancosky**, Avoca, NY (US)

(73) Assignee: **Precision Accuracy Solutions, Inc.**,  
Webster, NY (US)

(\*\*) Term: **15 Years**

(21) Appl. No.: **29/627,835**

(22) Filed: **Nov. 30, 2017**

(51) **LOC (11) Cl.** ..... **22-01**

(52) **U.S. Cl.**

USPC ..... **D22/109**

(58) **Field of Classification Search**

USPC ..... D22/109; D16/132, 130, 133, 330, 134

CPC .... F41G 11/001; F41G 11/003; F41G 11/004;

F41G 1/00; F41G 1/38; F41G 11/005

See application file for complete search history.

(56) **References Cited**

**U.S. PATENT DOCUMENTS**

|            |   |         |           |       |         |
|------------|---|---------|-----------|-------|---------|
| D253,545 S | * | 11/1979 | Chesnut   | ..... | 42/148  |
| D410,061 S | * | 5/1999  | Emerson   | ..... | D22/100 |
| D435,284 S | * | 12/2000 | Sutula    | ..... | D22/100 |
| D435,885 S | * | 1/2001  | Wallace   | ..... | D22/100 |
| D672,840 S | * | 12/2012 | Neufeld   | ..... | D22/108 |
| D722,359 S | * | 2/2015  | Hendricks | ..... | D22/108 |
| D732,631 S | * | 6/2015  | Cheng     | ..... | D22/109 |
| D732,634 S | * | 6/2015  | Cheng     | ..... | D22/109 |
| D738,986 S | * | 9/2015  | Anderson  | ..... | D22/109 |
| D781,990 S | * | 3/2017  | Cheng     | ..... | D22/109 |
| D802,077 S | * | 11/2017 | Geissele  | ..... | D22/109 |

9,835,844 B2 \* 12/2017 Russ ..... G02B 23/18

\* cited by examiner

*Primary Examiner* — Michael A. Pratt

(74) *Attorney, Agent, or Firm* — Tracy Jong Law Firm;  
Tracy P. Jong; Cheng Ning Jong

(57) **CLAIM**

The ornamental design for snap-on mount, as shown and described.

**DESCRIPTION**

FIG. 1 is a top rear perspective view of a First Embodiment according to the present snap-on mount where the snap-on mount is mounted to a revolver;

FIG. 2 is a bottom front perspective view thereof;

FIG. 3 is a top rear perspective view according to the present snap-on mount where the snap-on mount is mounted to a revolver and receiving equipment;

FIG. 4 is a bottom front perspective view thereof;

FIG. 5 is a top rear perspective view according to the present snap-on mount;

FIG. 6 is a bottom front perspective view thereof;

FIG. 7 is a top view thereof;

FIG. 8 is a left side view thereof;

FIG. 9 is a bottom view thereof;

FIG. 10 is a right side view thereof;

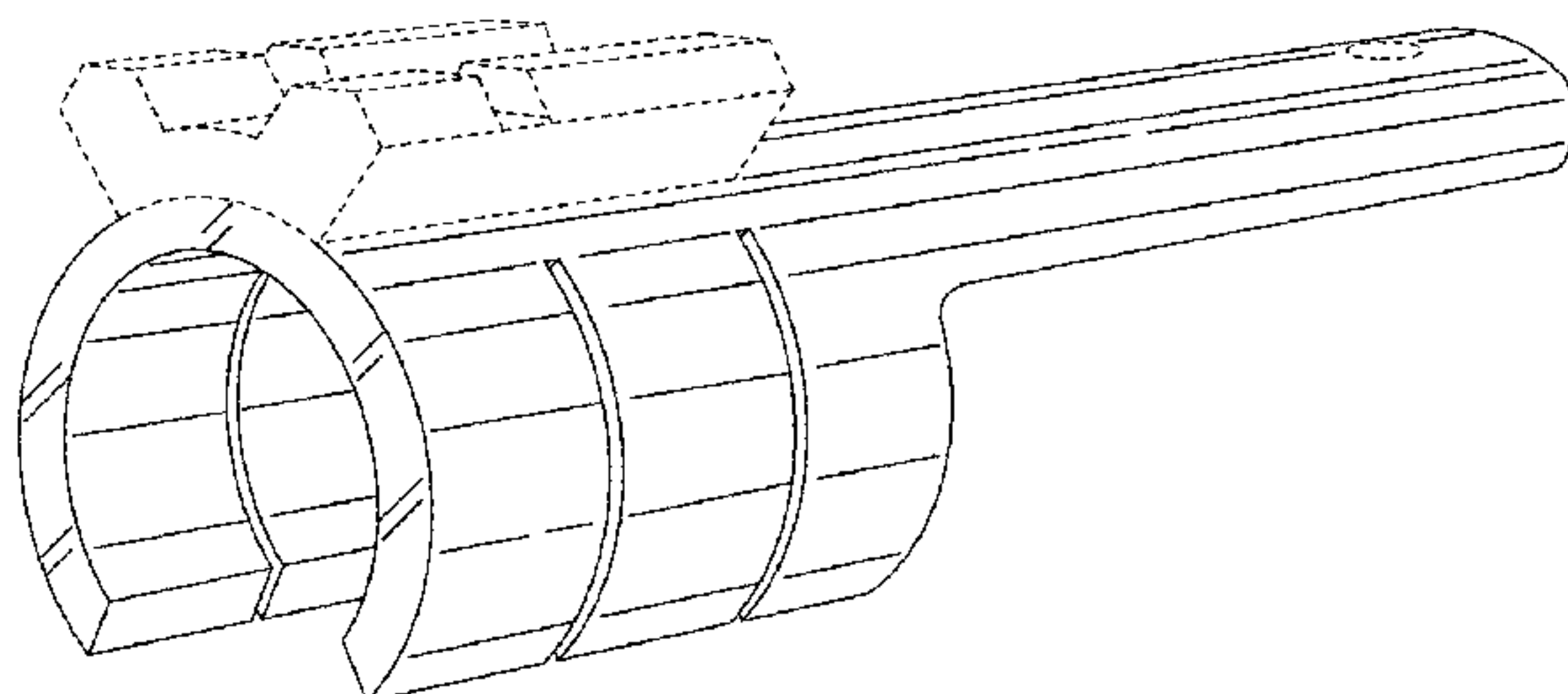
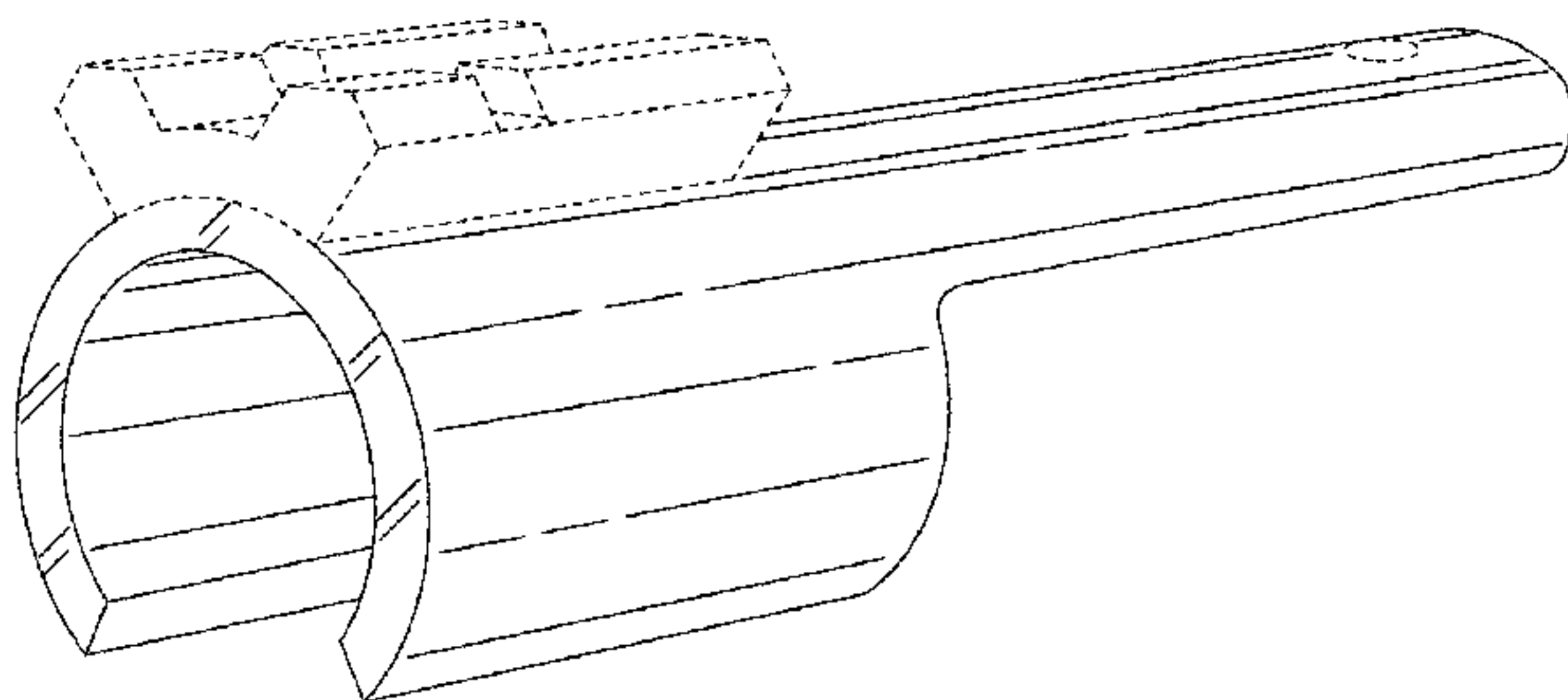
FIG. 11 is a front view thereof;

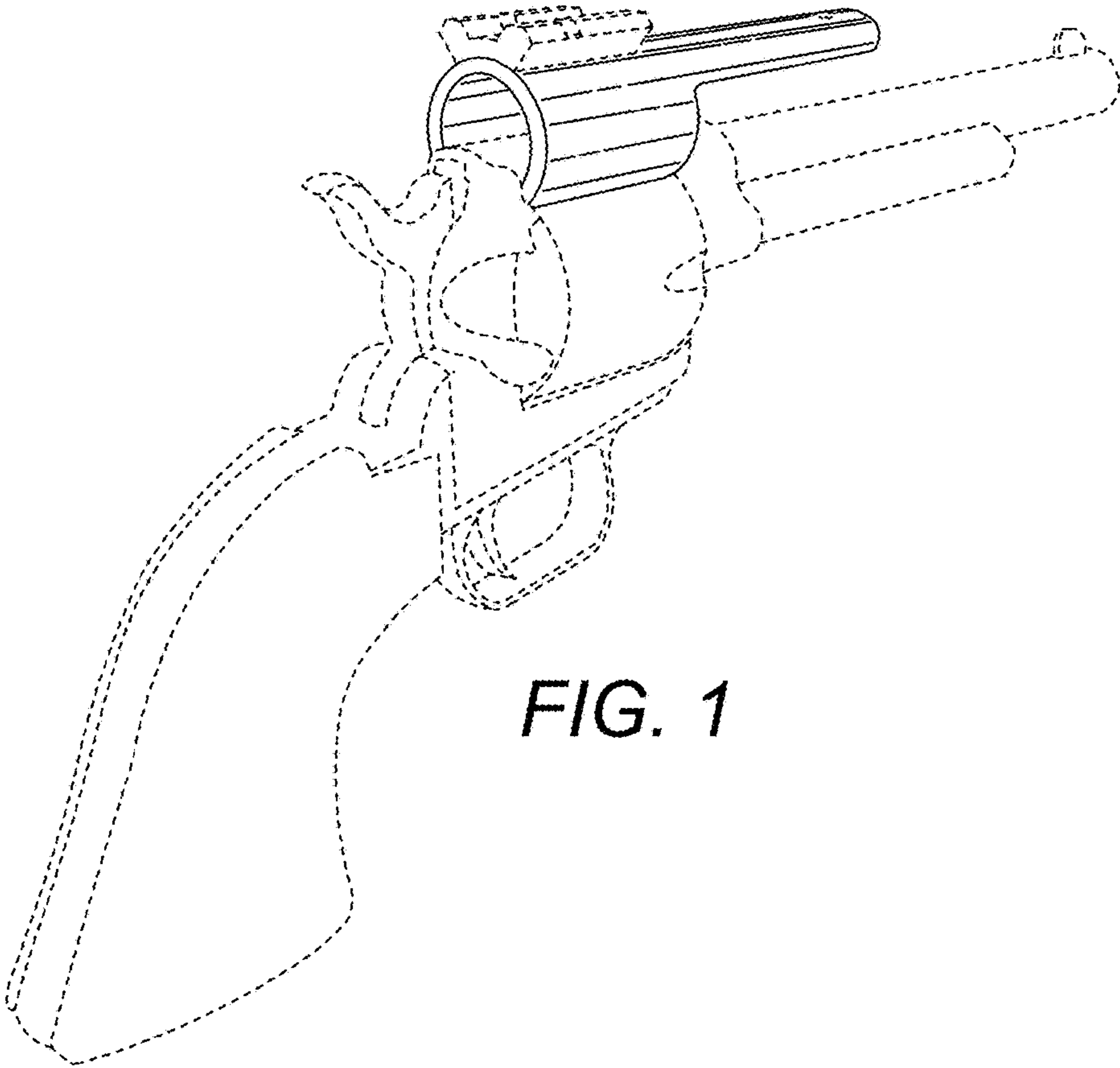
FIG. 12 is a rear view thereof; and,

FIG. 13 is a top rear perspective view of Second Embodiment according to the present snap-on mount.

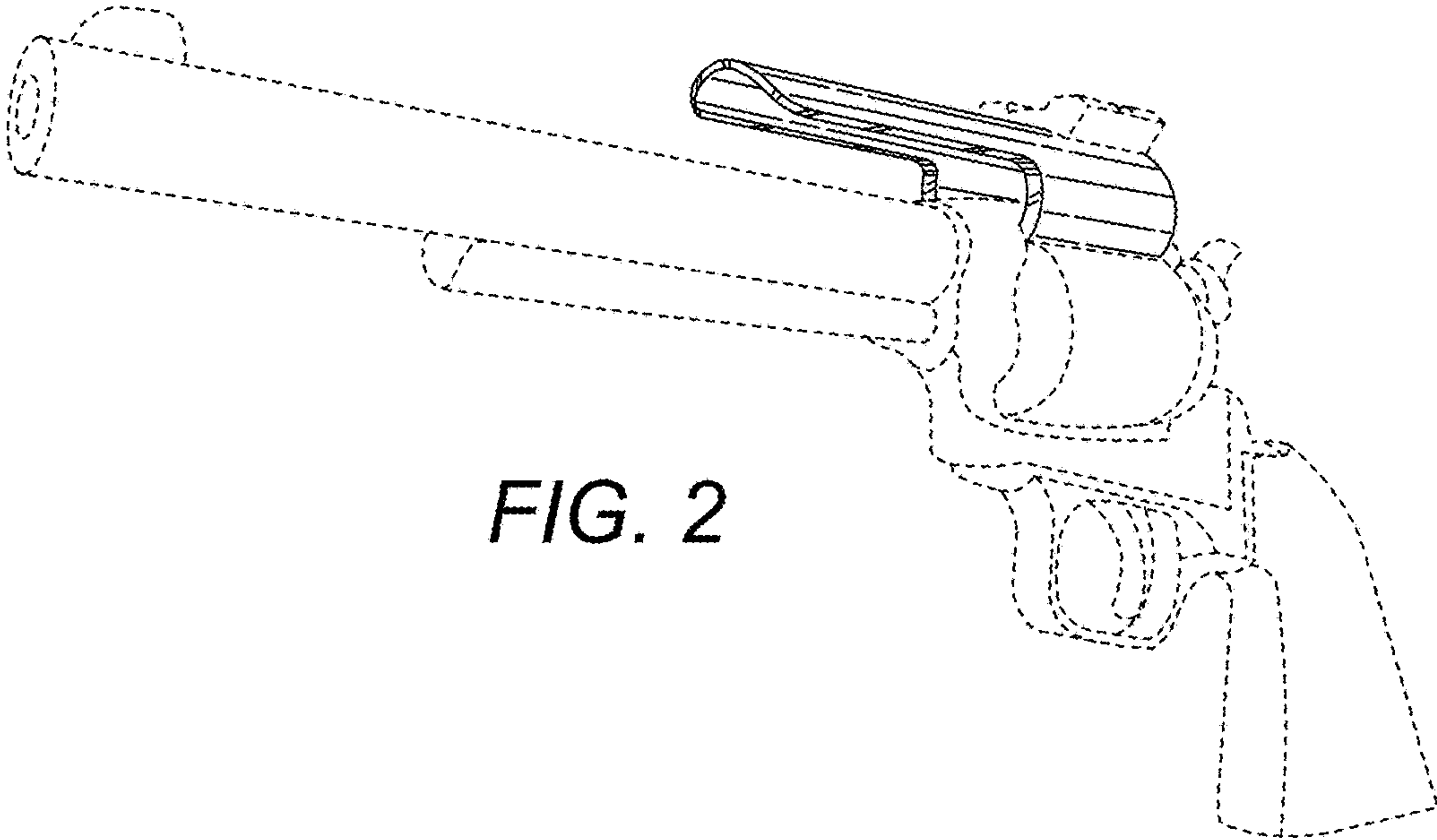
The revolver and equipment shown in broken lines are environmental subject matter included to depict how the claimed design may appear when disposed in conjunction with these components and form no part of the claimed design. The remaining broken line subject matter constitute unclaimed features.

**1 Claim, 5 Drawing Sheets**

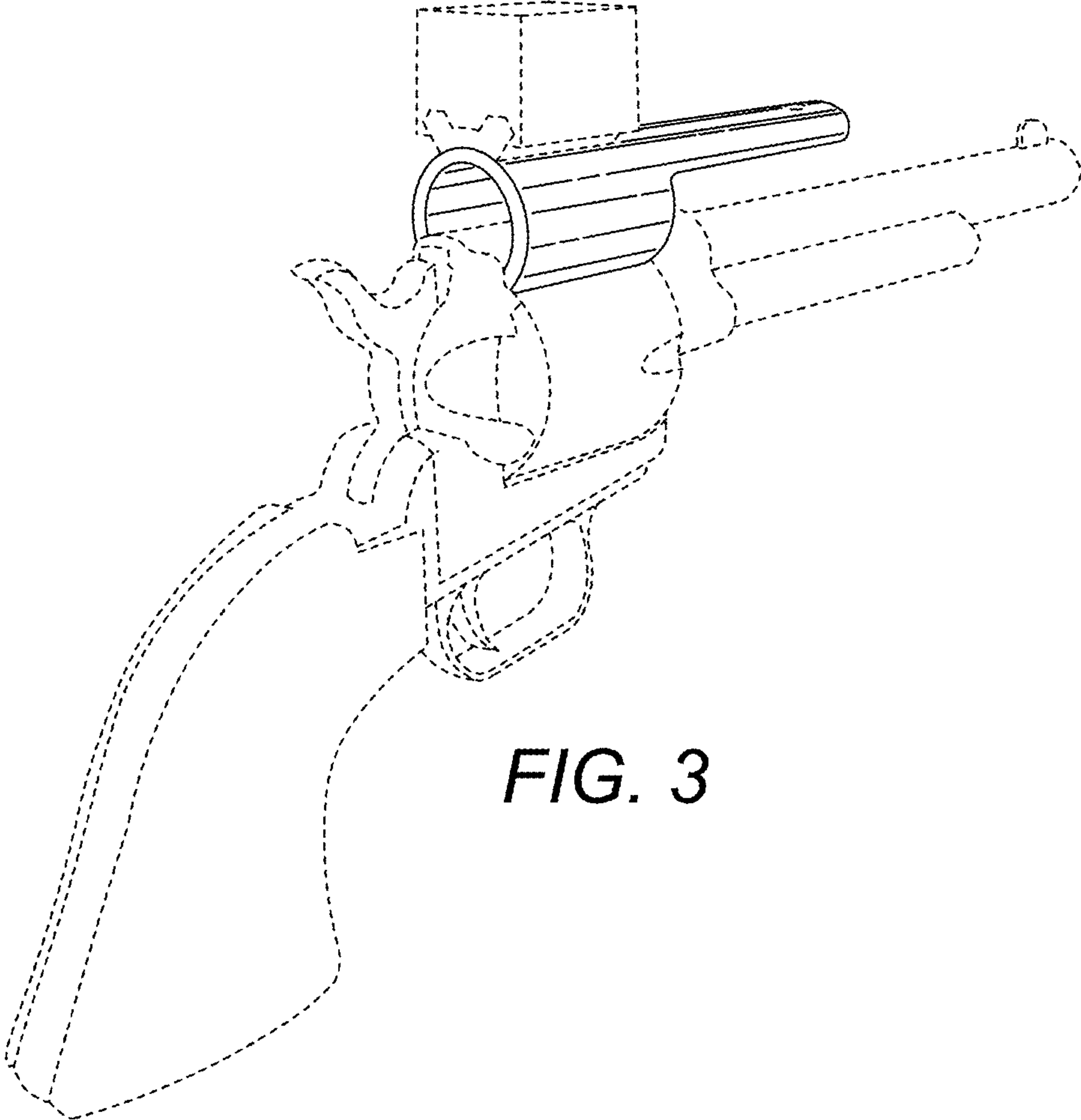




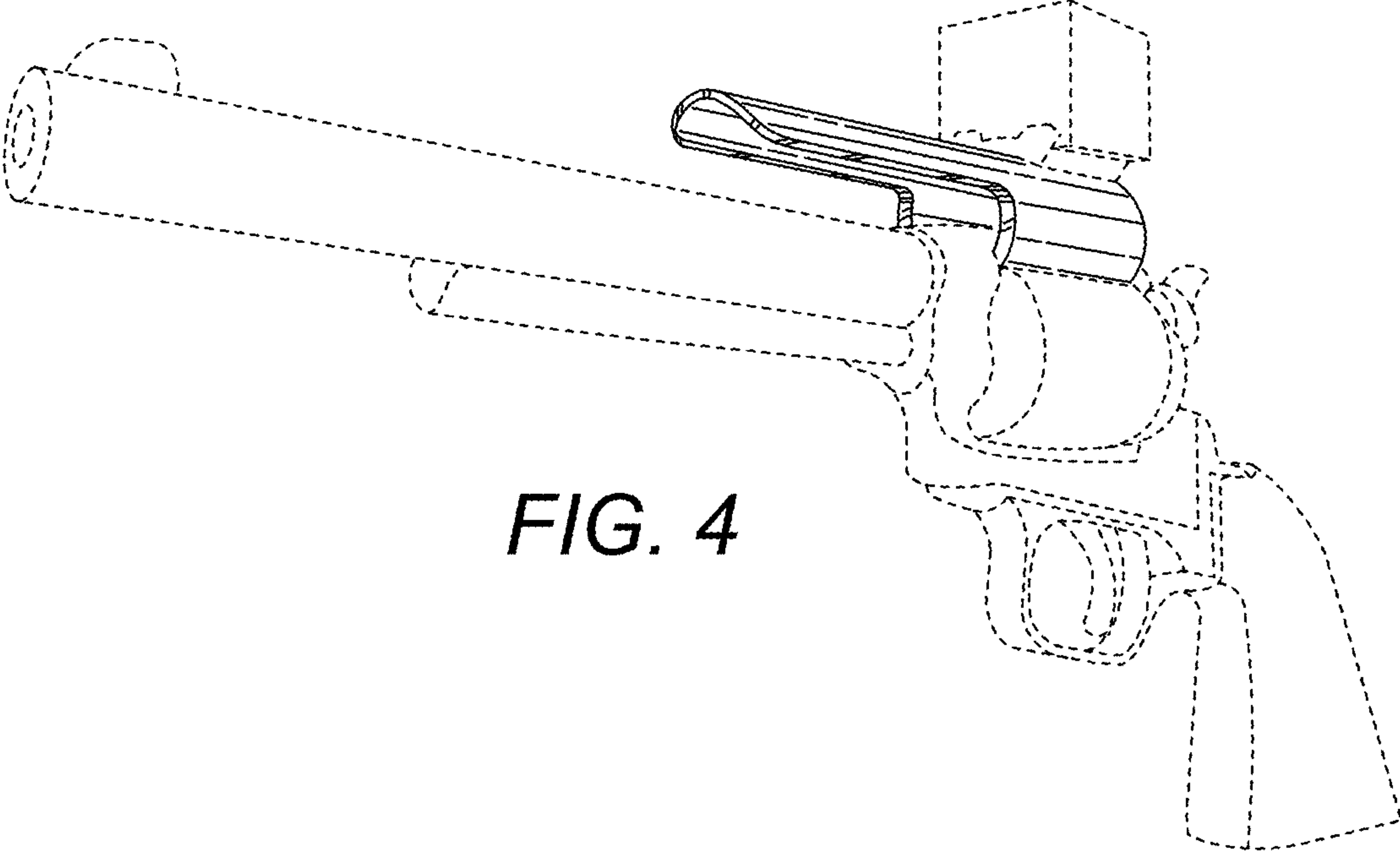
**FIG. 1**



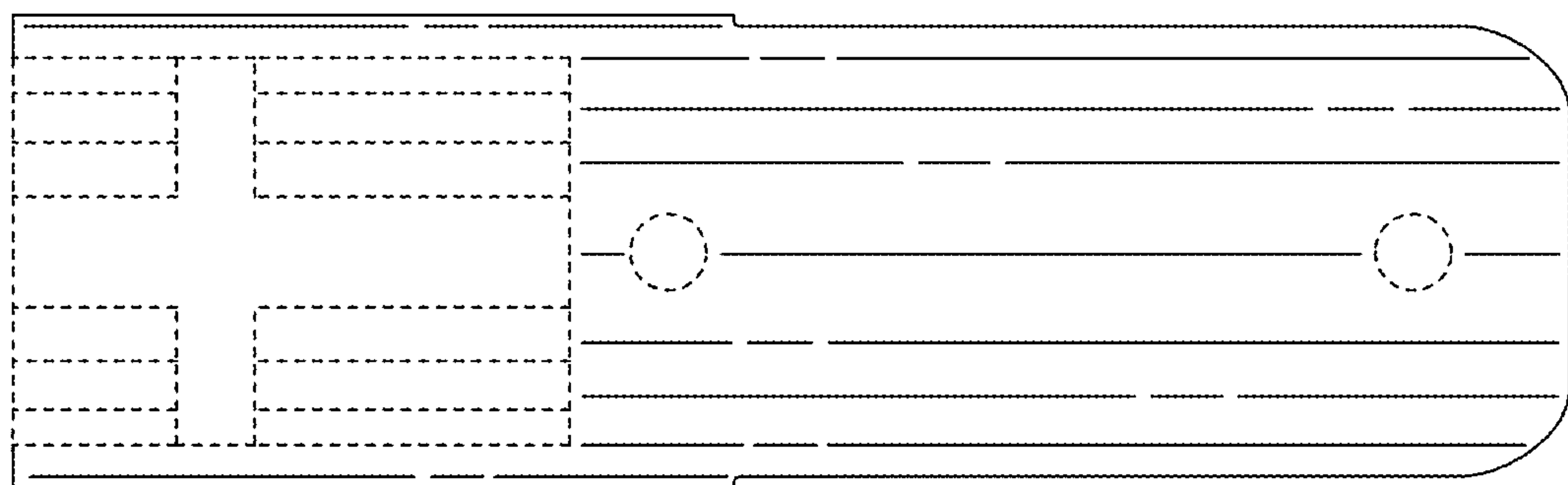
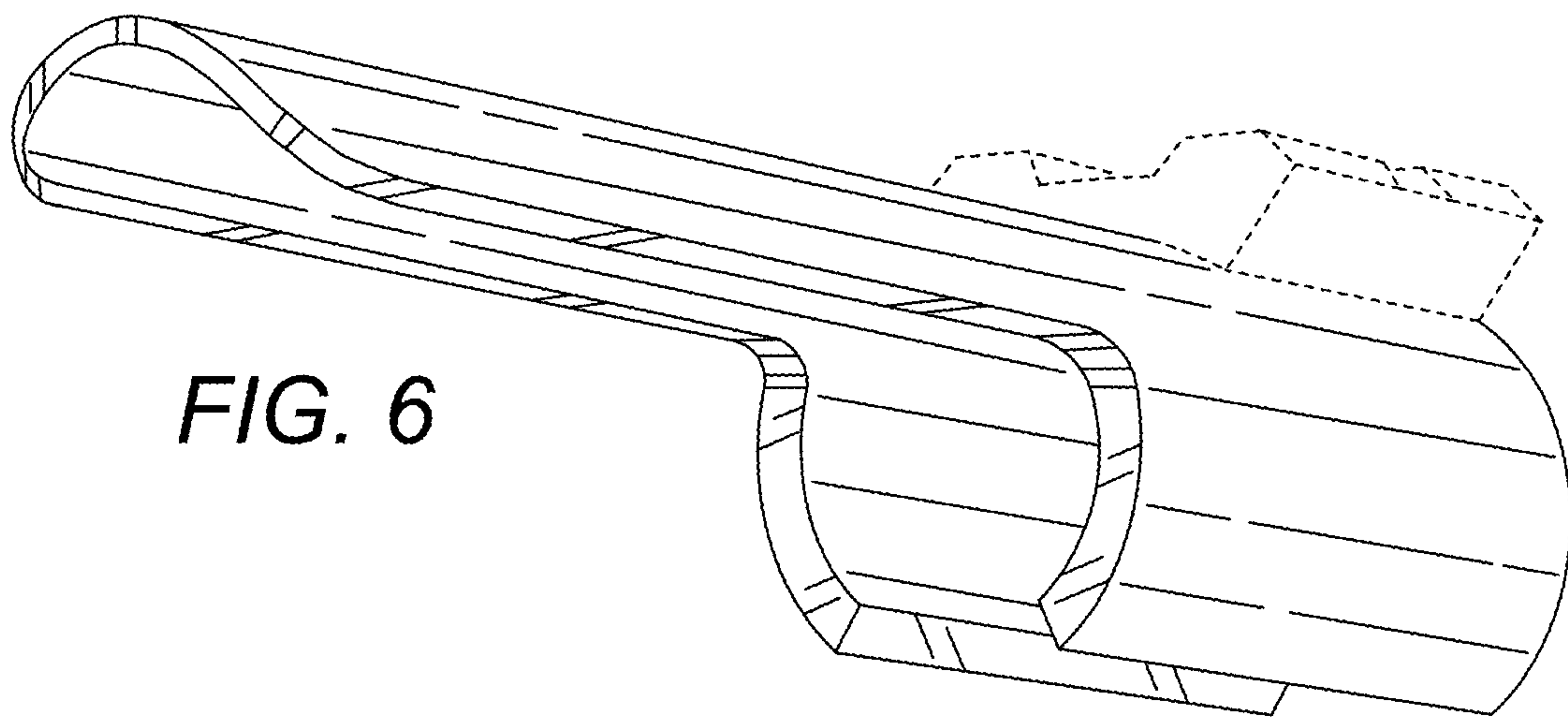
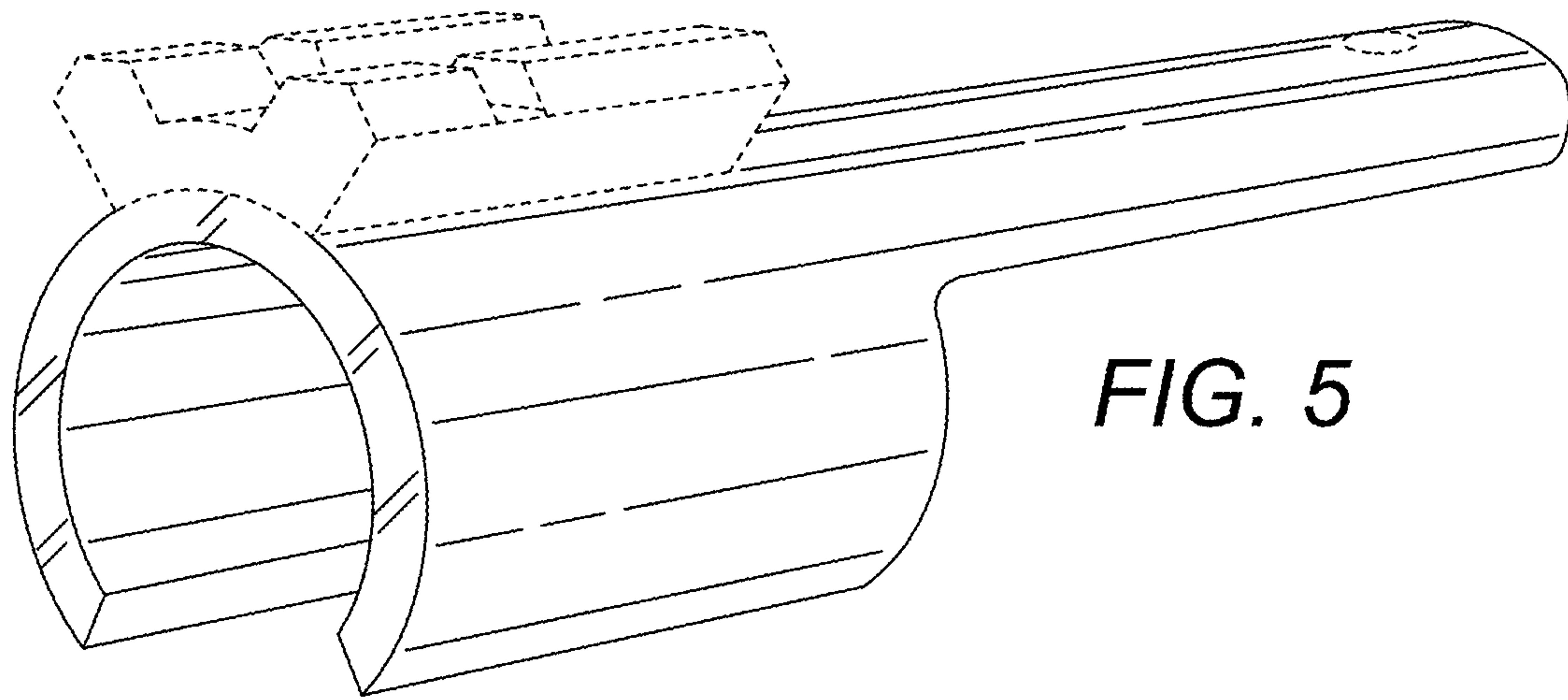
**FIG. 2**



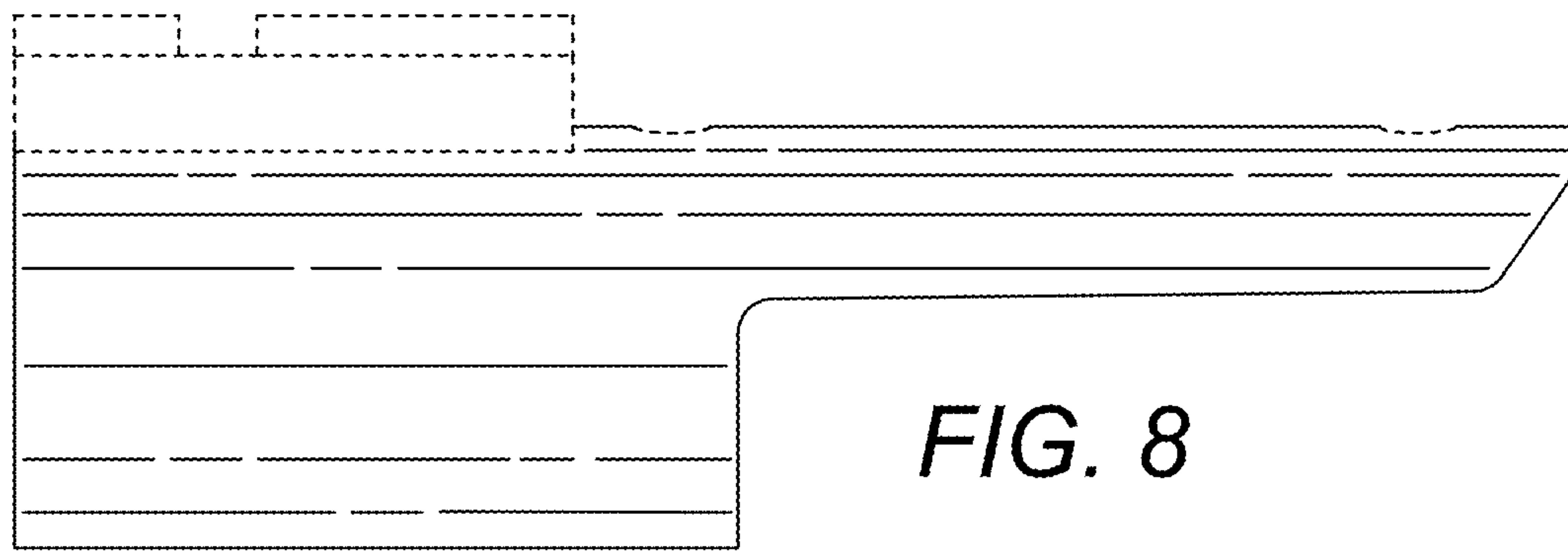
*FIG. 3*



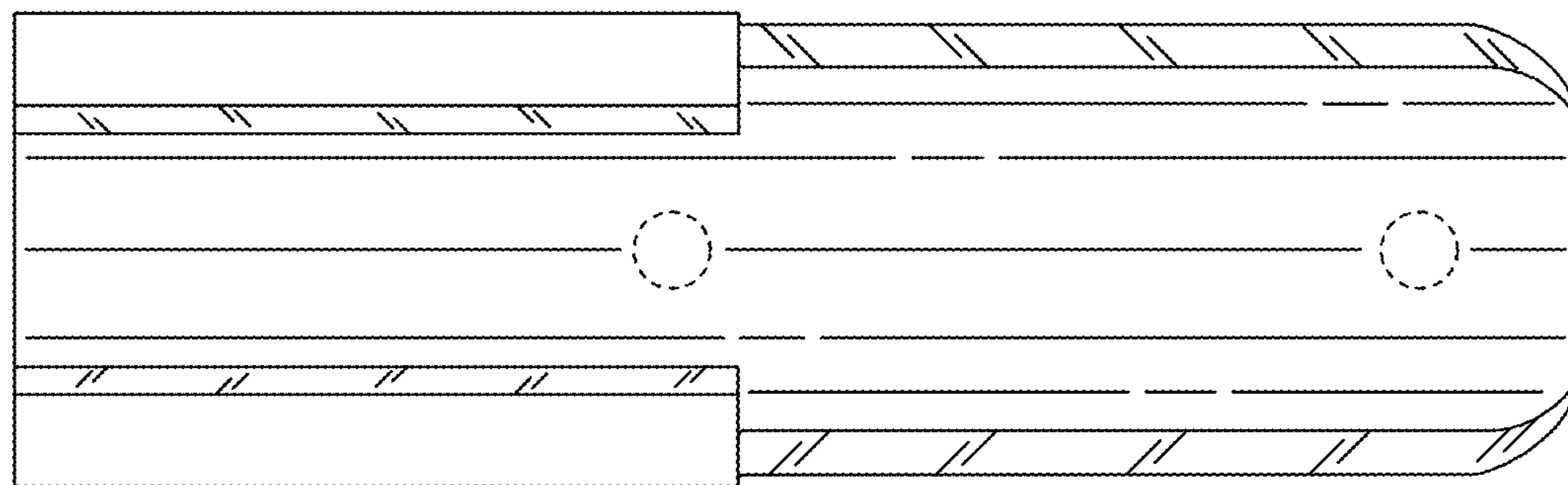
*FIG. 4*



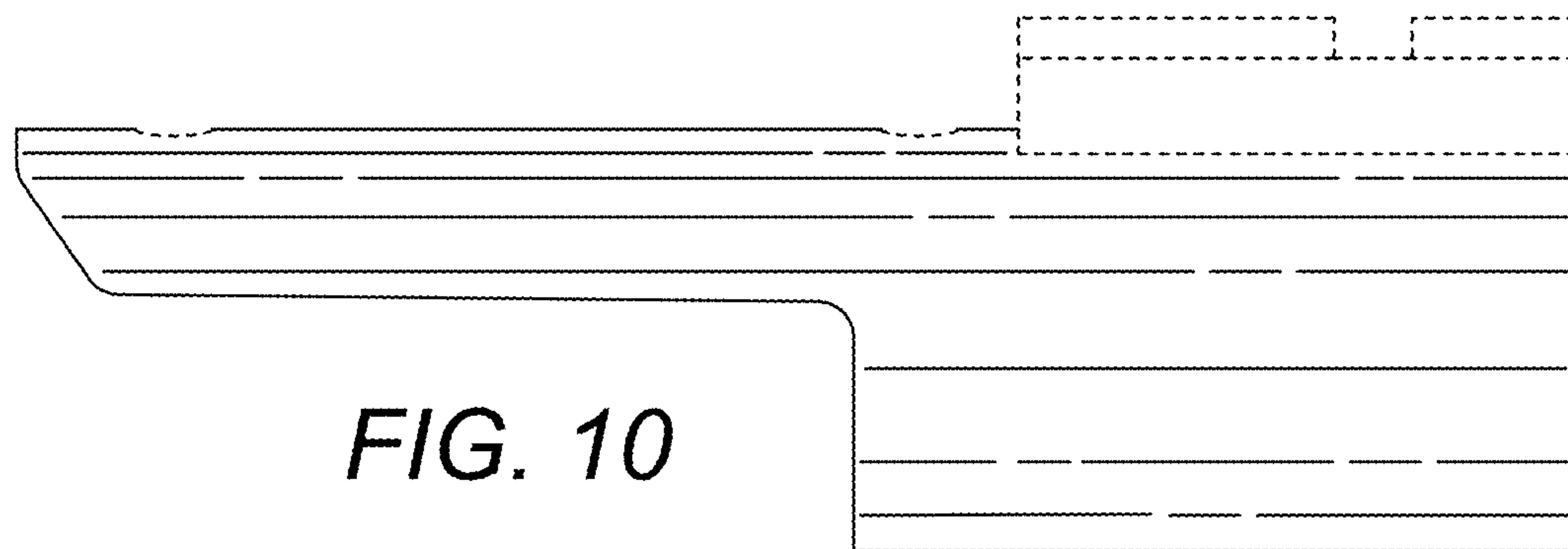




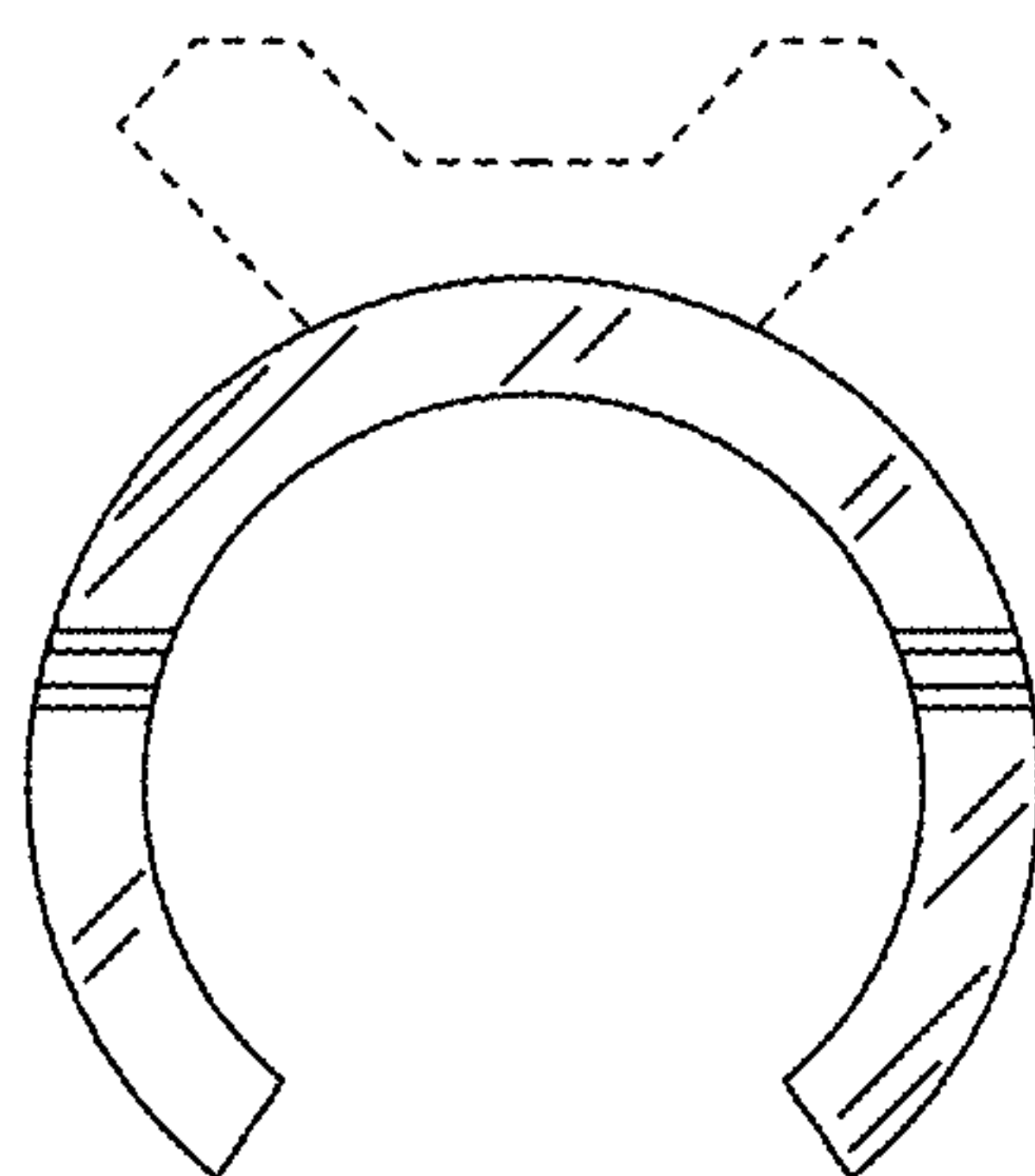
**FIG. 8**



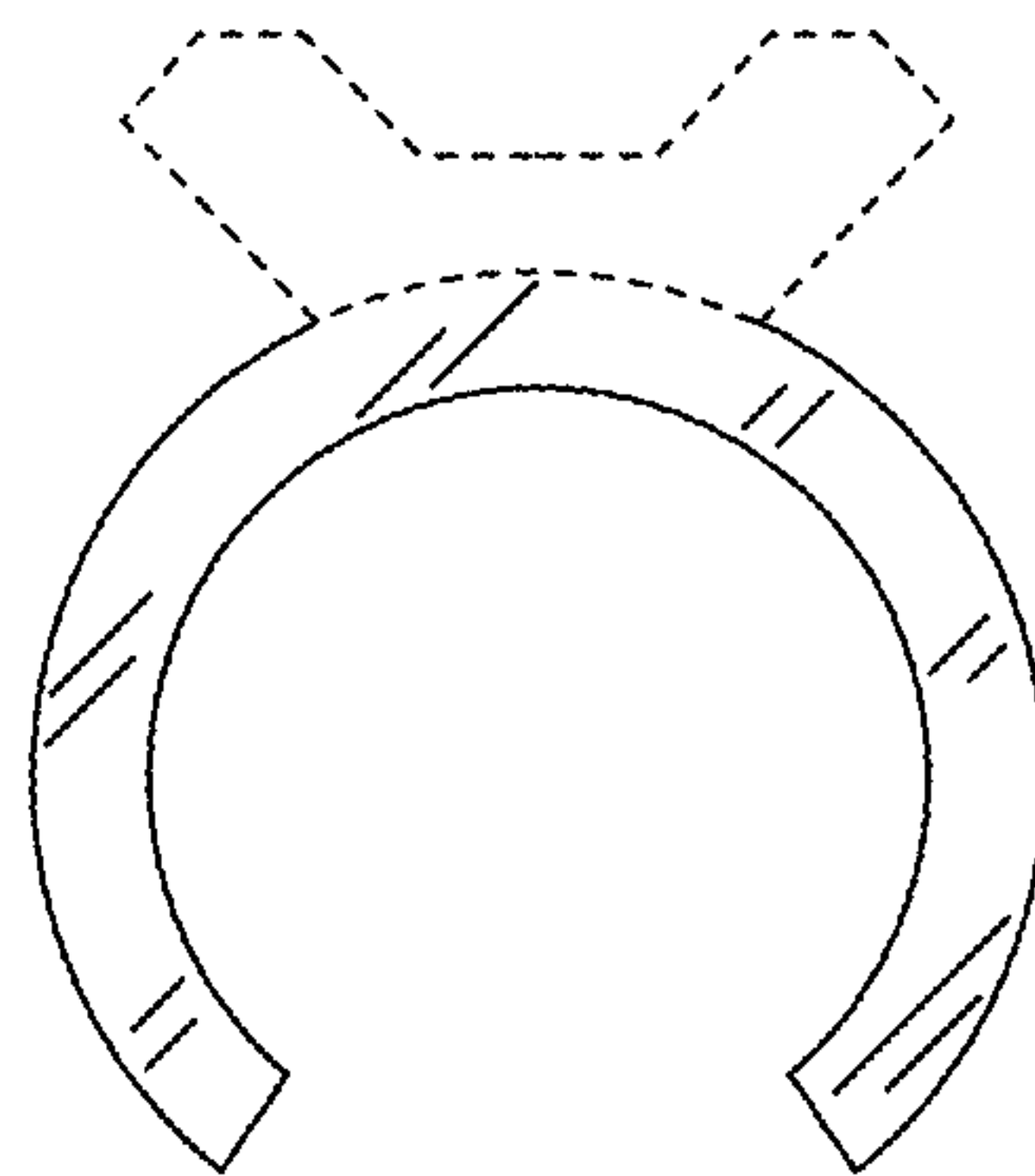
**FIG. 9**



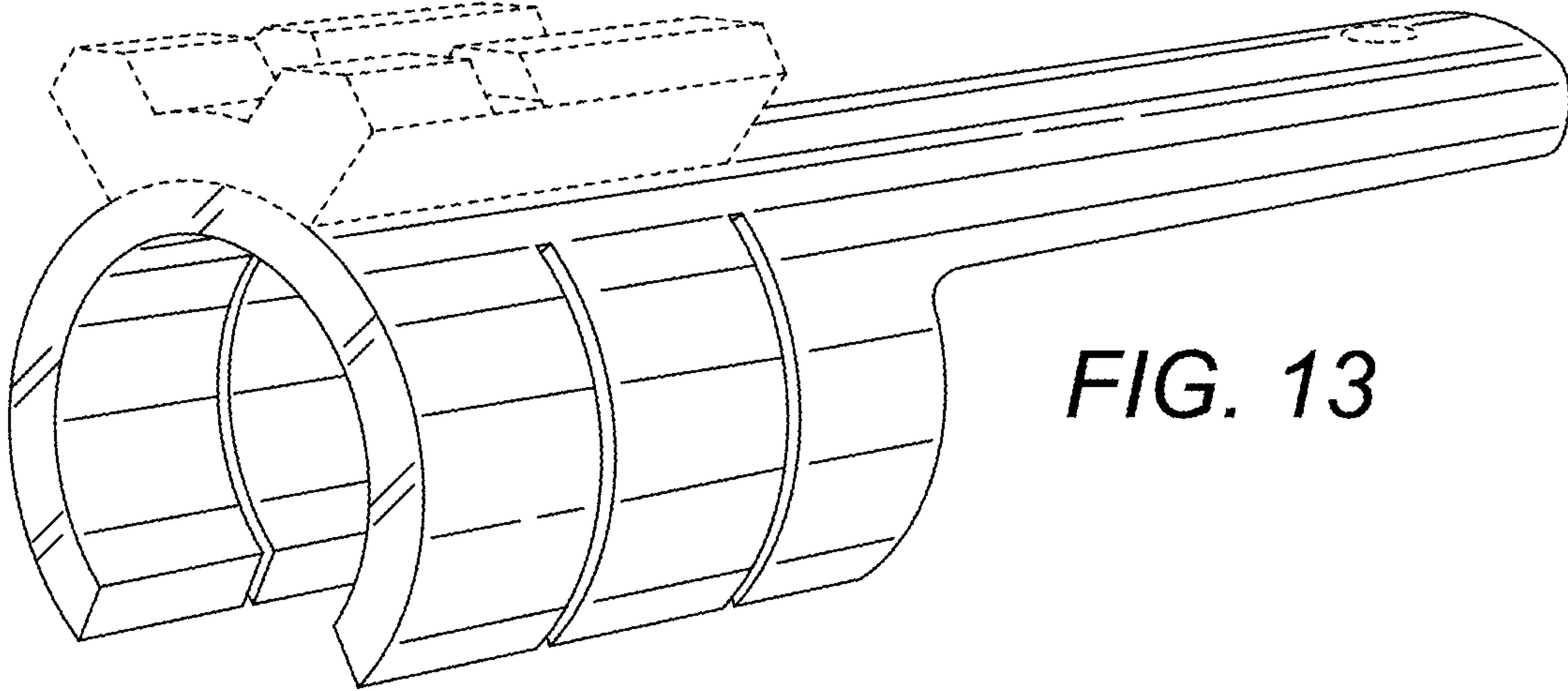
**FIG. 10**



**FIG. 11**



**FIG. 12**



*FIG. 13*