



US00D817434S

(12) **United States Design Patent**
Hsiang

(10) **Patent No.:** **US D817,434 S**

(45) **Date of Patent:** **** May 8, 2018**

- (54) **TRAMPOLINE**
- (71) Applicant: **Crowntec (Jiang Xi) Sports Technology Co. Ltd.**, Jiujiang, Jiangxi Province (CN)
- (72) Inventor: **Hua-Lu Hsiang**, Taoyuan (TW)
- (73) Assignee: **Crowntec (Jiang Xi) Sports Technology Co., Inc.**, Jiujiang, Jiangxi Province (CN)
- (**) Term: **15 Years**
- (21) Appl. No.: **29/602,900**

D576,229	S	*	9/2008	VanElverdinghe	D21/672
D614,715	S	*	4/2010	Mann	D21/797
D664,228	S	*	7/2012	Hsiang	D21/797
D684,233	S	*	6/2013	Yang	D21/797
D712,497	S	*	9/2014	Yang	D21/797
D717,899	S	*	11/2014	Chen	D21/797
9,084,908	B1	*	7/2015	Chen	A63B 5/11
9,089,732	B2	*	7/2015	Andon	A63B 5/11
D755,914	S	*	5/2016	Andon	D21/797
9,687,719	B1	*	6/2017	Chen	A63B 5/11
D794,150	S	*	8/2017	Ji	D21/797
D794,151	S	*	8/2017	Ji	D21/797
D799,626	S	*	10/2017	Chen	D21/797
D803,338	S	*	11/2017	Hsiang	D21/797
2008/0269020	A1	*	10/2008	Alexander	A63B 5/11 482/29
2009/0062078	A1	*	3/2009	VanElverdinghe	A63B 5/11 482/29

- (22) Filed: **May 4, 2017**
- (51) **LOC (11) Cl.** **21-02**
- (52) **U.S. Cl.**
USPC **D21/797**
- (58) **Field of Classification Search**
USPC D21/797, 668, 669, 834, 826, 688;
D6/582-594, 716; 483/27, 35, 29, 112,
483/33, 110, 148, 28, 77, 147, 51;
297/23, 26, 452.18; 135/96, 117;
D30/112; D25/1, 16, 22, 56; 446/220;
473/469; 182/139, 224; 273/395, 402;
D8/21, 29, 14, 382; 81/124.6, 63.1,
81/177.85, 125.1, 177.2; D12/118, 178;
285/133.21, 197, 319, 921; 403/170, 217,
403/326, 28, 188, 230
CPC A63B 5/11; A63B 21/023; A63B 71/022;
A63B 2208/12; A63B 2210/50; A63B
21/0552; A63B 21/026; B25B 13/04
See application file for complete search history.

- (56) **References Cited**
U.S. PATENT DOCUMENTS
D570,930 S * 6/2008 VanElverdinghe D21/671
D572,777 S * 7/2008 VanElverdinghe D21/671

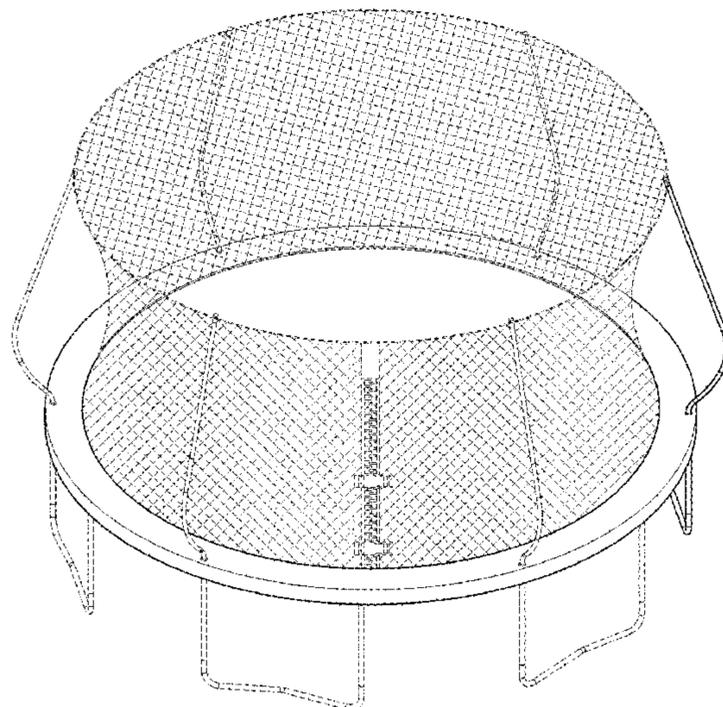
(Continued)

Primary Examiner — Robert M. Spear
Assistant Examiner — Ryan Harvey
 (74) *Attorney, Agent, or Firm* — Muncy, Geissler, Olds & Lowe, P.C.

(57) **CLAIM**
 The ornamental design for a trampoline, as shown and described.

DESCRIPTION
 FIG. 1 is a perspective view of a trampoline showing my new design;
 FIG. 2 is a front side elevation view thereof;
 FIG. 3 is a rear side elevation view thereof;
 FIG. 4 is a left side elevation view thereof;
 FIG. 5 is a right side elevation view thereof;
 FIG. 6 is a top plan view thereof; and,
 FIG. 7 is a bottom plan view thereof.
 The broken lines showing in the figures are included for the purpose of illustrating portions of the trampoline and form no part of the claimed design.

1 Claim, 7 Drawing Sheets



(56)

References Cited

U.S. PATENT DOCUMENTS

2013/0045837	A1 *	2/2013	Hsiang	A63B 5/11 482/27
2013/0072269	A1 *	3/2013	Chen	A63B 5/11 463/7
2014/0228176	A1 *	8/2014	Miller	A63B 5/11 482/27
2014/0336005	A1 *	11/2014	Miller	A63B 5/11 482/27
2015/0051049	A1 *	2/2015	Andon	A63B 5/11 482/29
2015/0157889	A1 *	6/2015	Miller	A63B 5/11 482/27
2015/0190666	A1 *	7/2015	Chen	A63B 5/11 482/29
2016/0030794	A1 *	2/2016	Yang	A63B 5/11 482/27
2016/0296781	A1 *	10/2016	Andon	A63B 5/11
2017/0173376	A1 *	6/2017	Miller	A63B 5/11
2017/0173437	A1 *	6/2017	Chen	A63B 5/11
2017/0340939	A1 *	11/2017	Chen	A63B 67/10

* cited by examiner

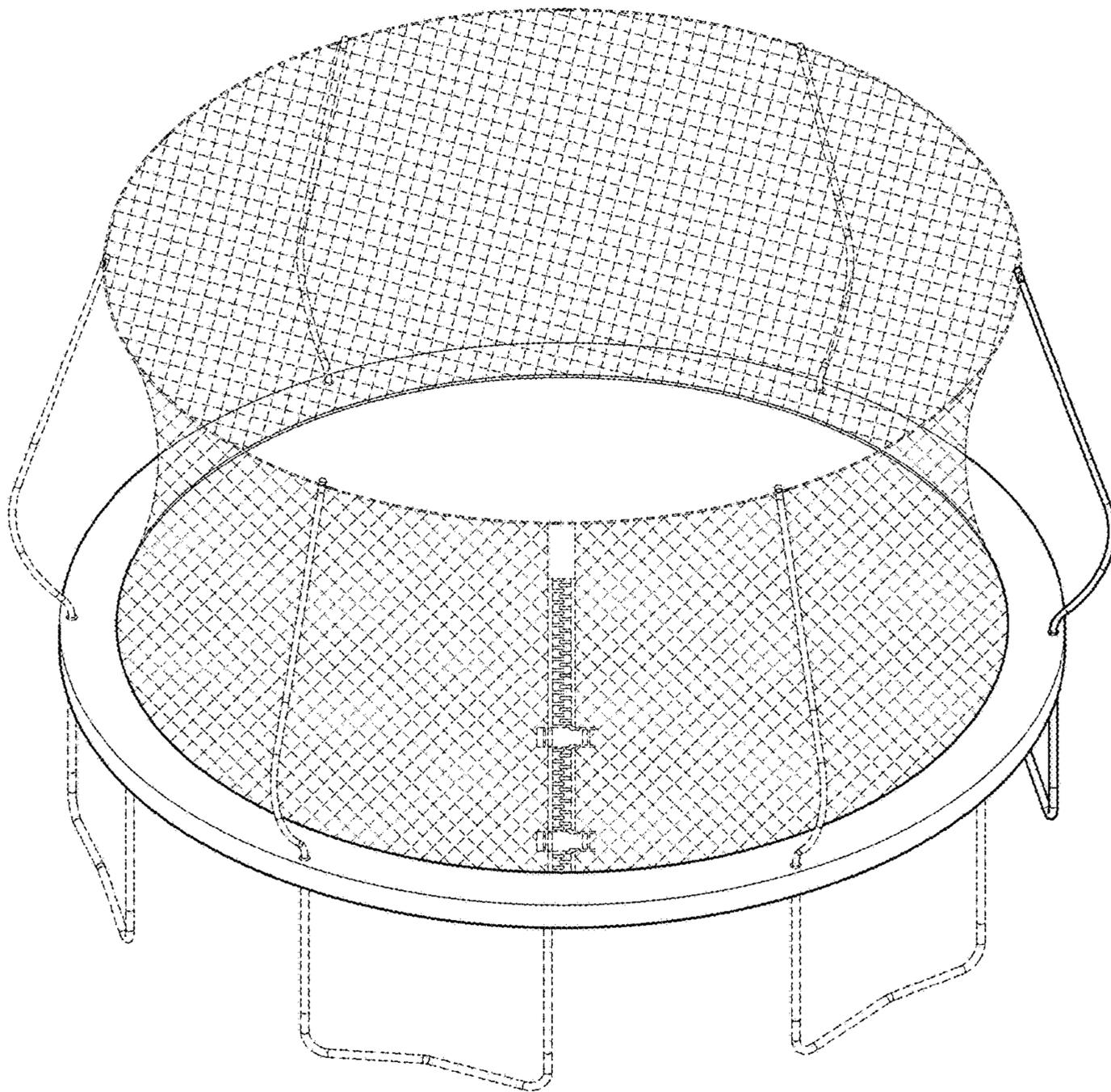


Fig. 1

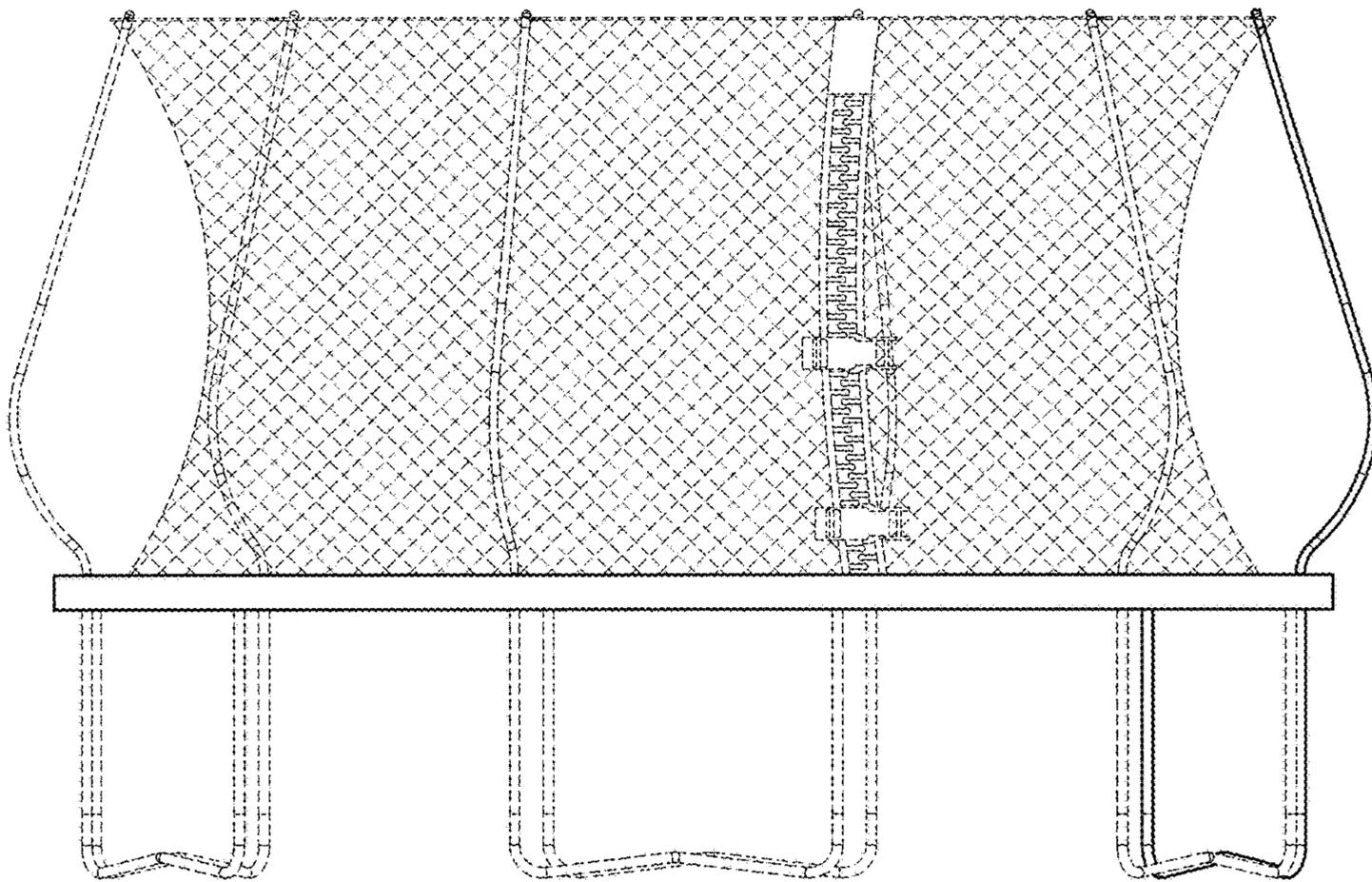


Fig. 2

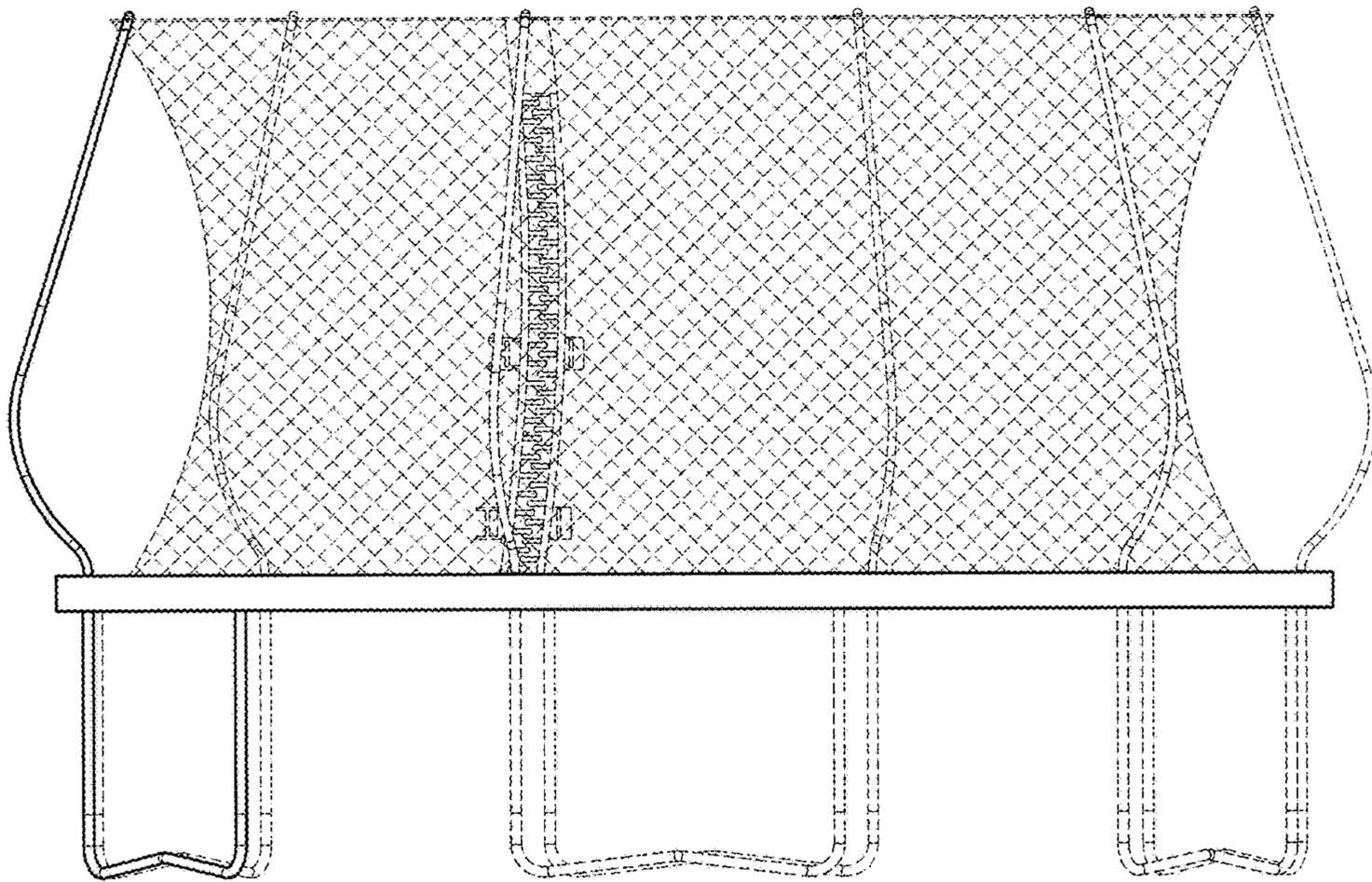


Fig. 3

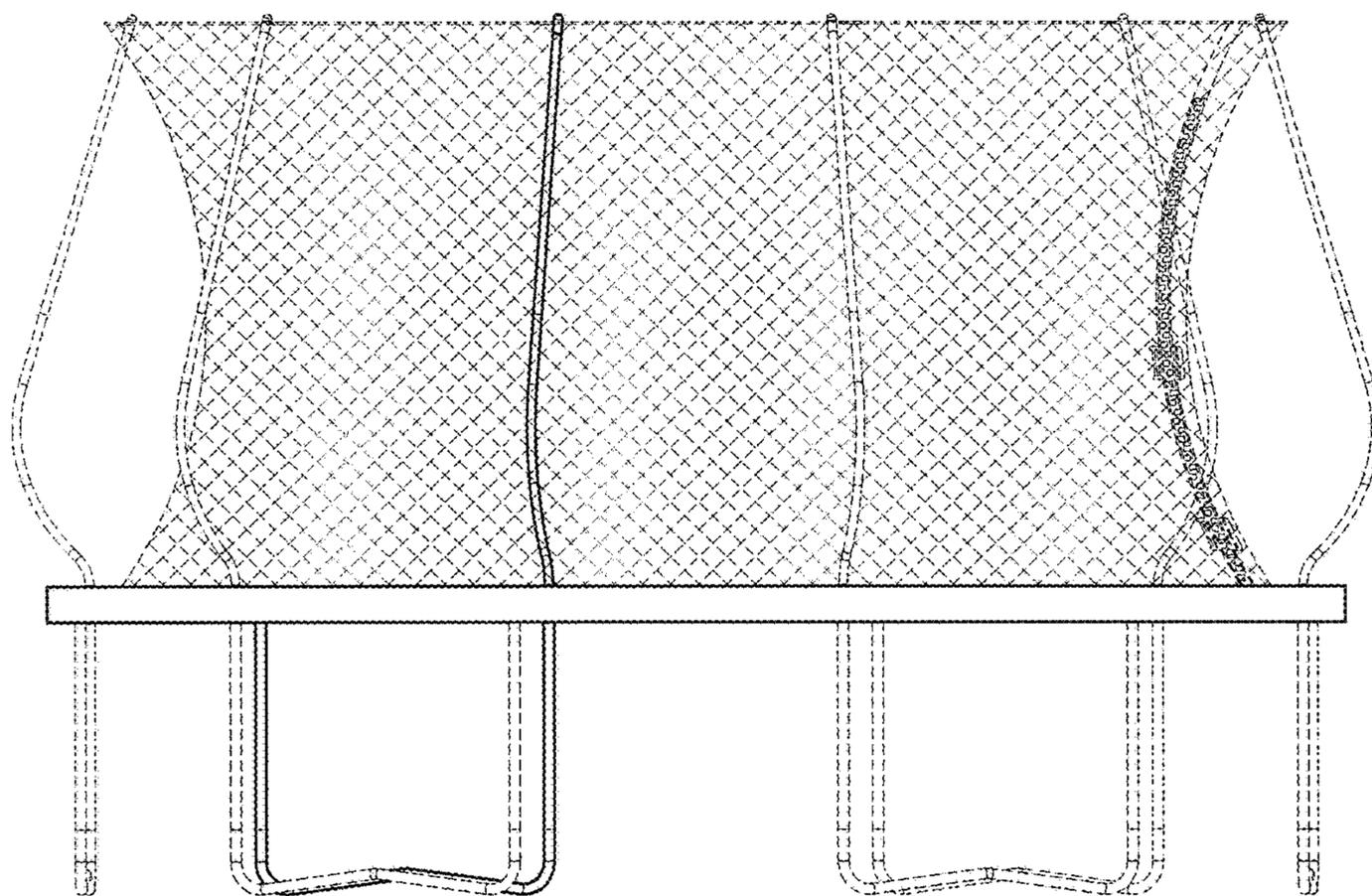


Fig. 4

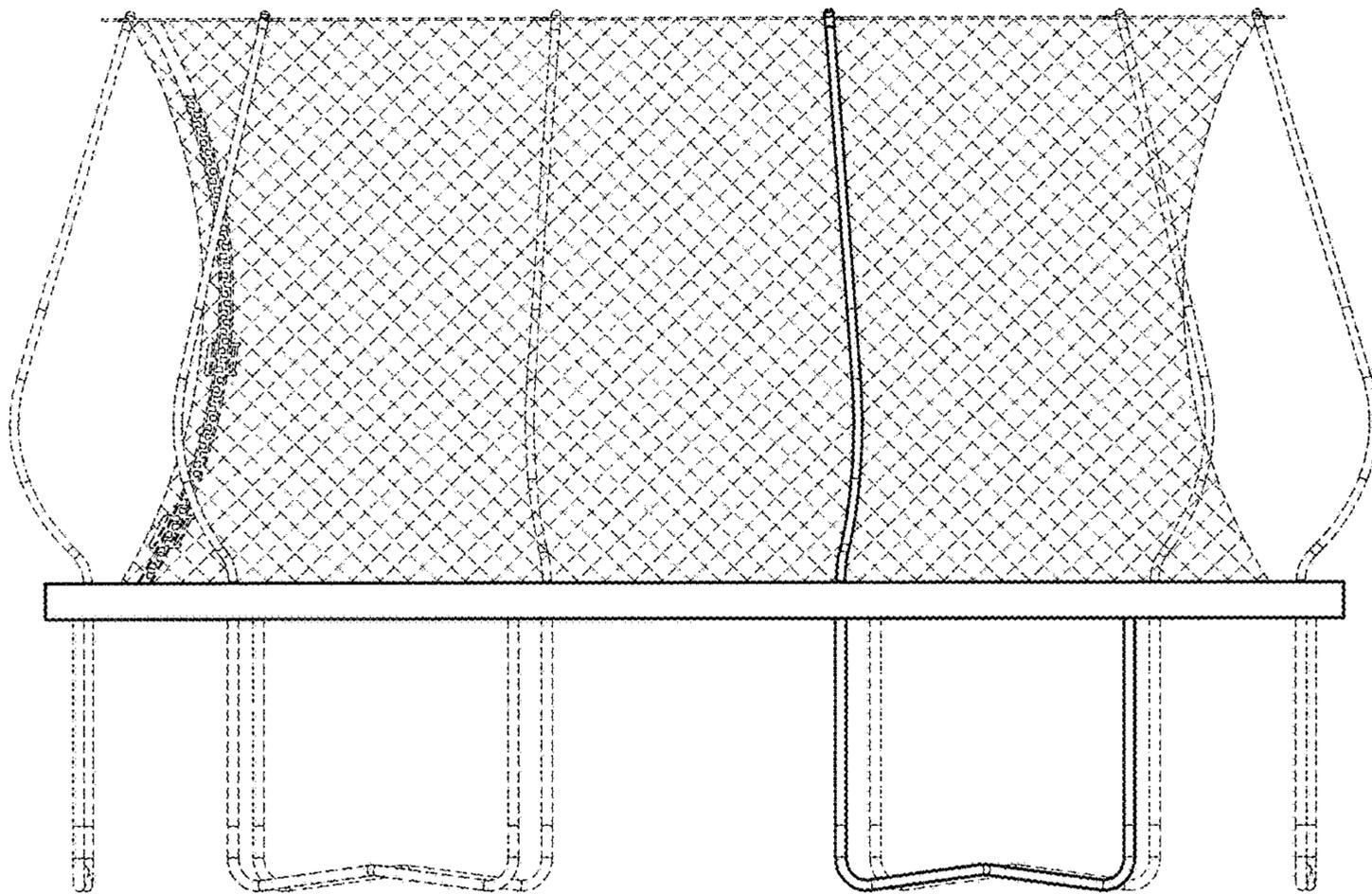


Fig. 5

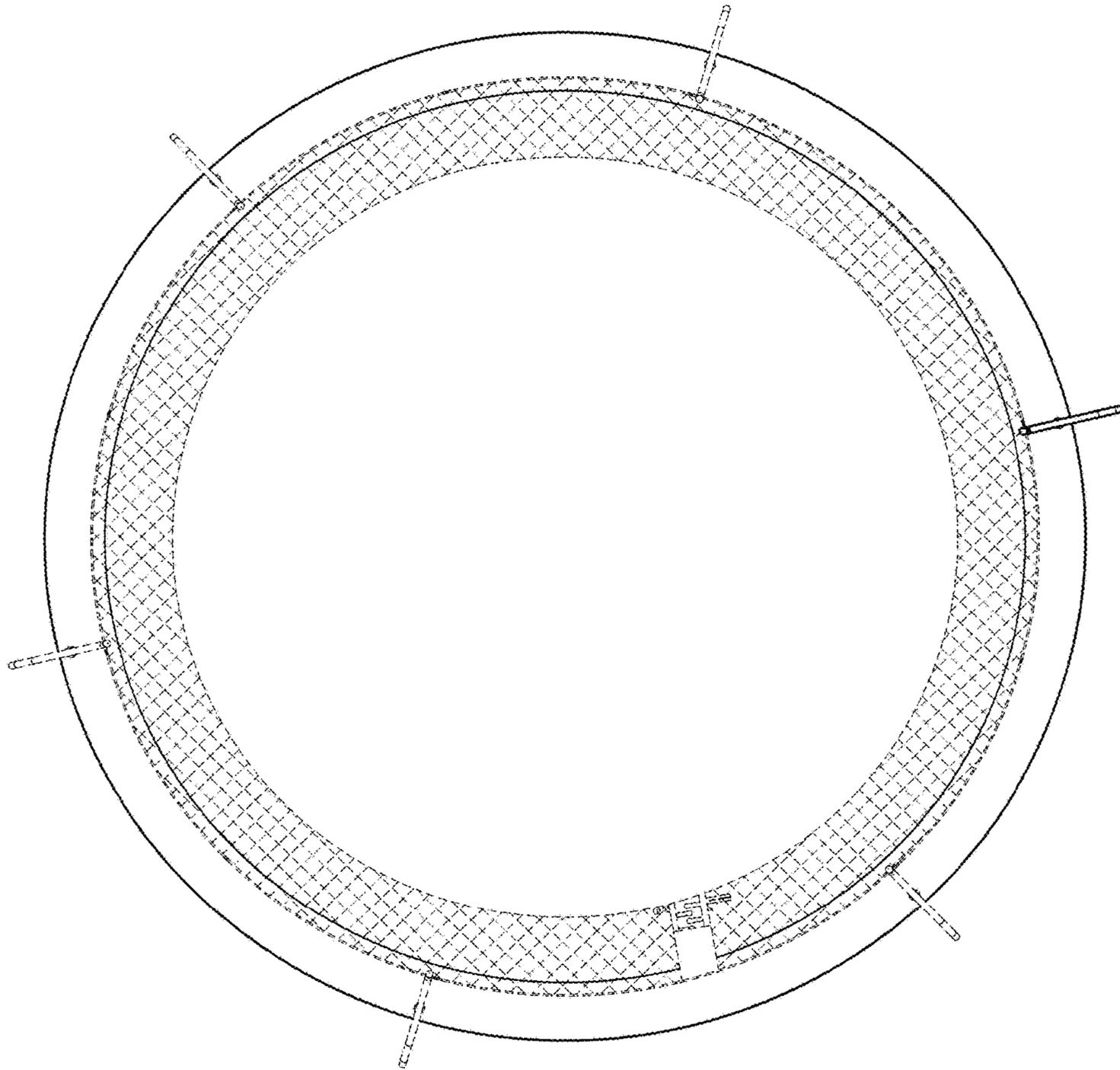


Fig. 6

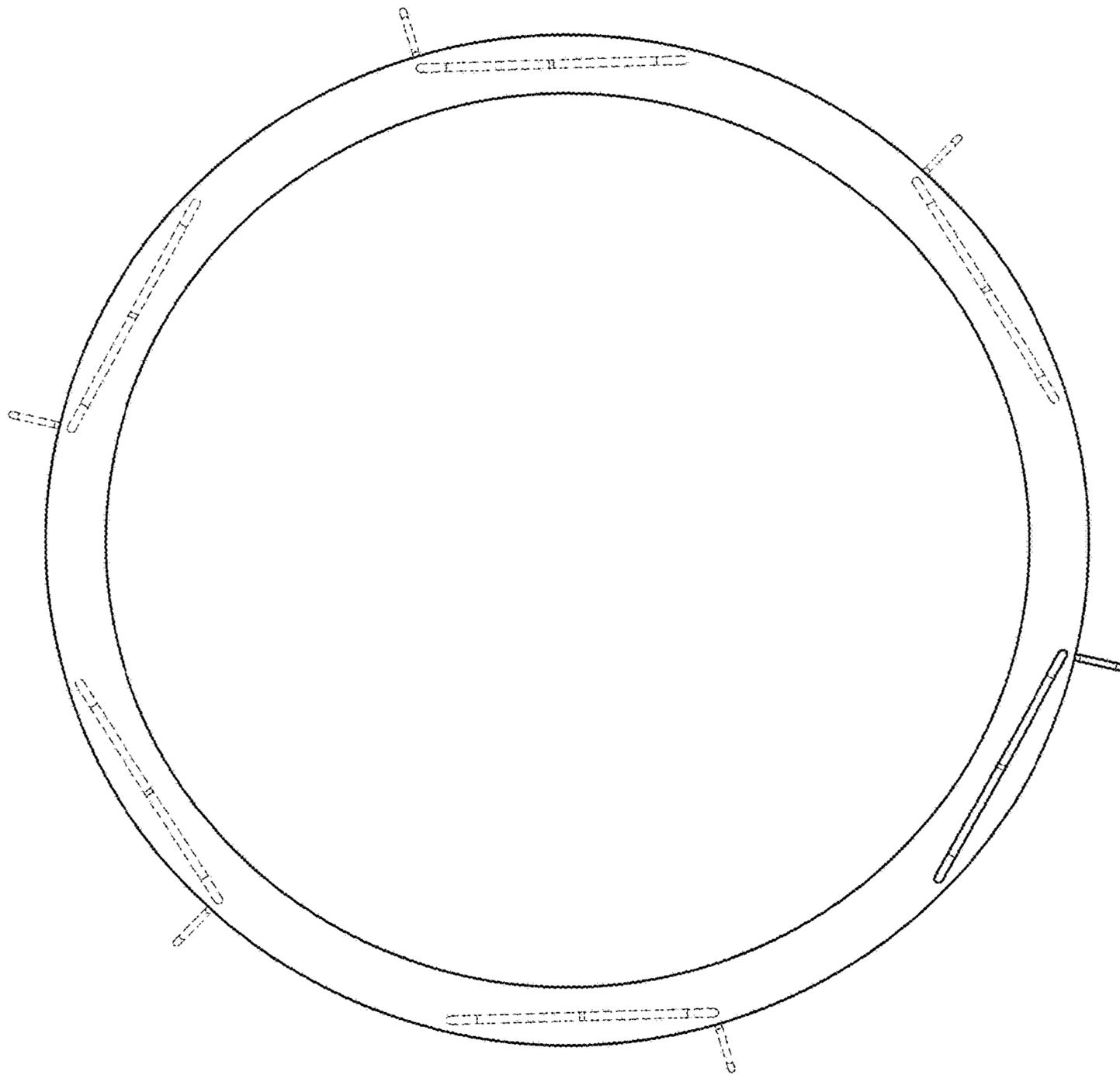


Fig. 7