



US00D817431S

(12) **United States Design Patent**  
**Masucci**

(10) **Patent No.:** **US D817,431 S**  
(45) **Date of Patent:** **\*\* May 8, 2018**

(54) **PUTTING MARKER**

(71) Applicant: **G. Thomas Masucci**, Pleasanton, CA  
(US)

(72) Inventor: **G. Thomas Masucci**, Pleasanton, CA  
(US)

(\*\*) Term: **15 Years**

(21) Appl. No.: **29/588,864**

(22) Filed: **Dec. 23, 2016**

**Related U.S. Application Data**

(63) Continuation of application No. 14/809,988, filed on  
Jul. 27, 2015.

(51) **LOC (11) Cl.** ..... **21-02**

(52) **U.S. Cl.**  
USPC ..... **D21/791**

(58) **Field of Classification Search**  
USPC ..... D21/789, 791, 793, 794  
CPC ..... A63B 69/3676; A63B 2069/3679; A63B  
2069/3682; A63B 69/3608; A63B  
69/3661; A63B 69/3667; A63B 69/97  
See application file for complete search history.

(56) **References Cited**

**U.S. PATENT DOCUMENTS**

- 1,545,648 A \* 7/1925 Fletcher ..... A63B 69/3676  
473/218
- 2,303,736 A \* 12/1942 Hall ..... A63B 69/3676  
473/258
- D211,376 S \* 6/1968 Chidester ..... D21/791
- 3,806,133 A \* 4/1974 Cork ..... A63B 69/3676  
473/258
- 3,895,797 A 7/1975 Moore
- 4,530,500 A 7/1985 Kaymen
- 4,921,254 A \* 5/1990 Buckley ..... A63B 69/3608  
473/218
- 5,071,129 A 12/1991 Wilson

- D325,419 S \* 4/1992 Mulloy ..... D21/466
- D332,817 S \* 1/1993 Mullen ..... D21/782
- D336,618 S \* 6/1993 Smith ..... D10/65
- 5,586,945 A \* 12/1996 Vonderhaar ..... A63B 69/3676  
473/258
- 6,129,639 A \* 10/2000 Brock ..... A63B 69/3676  
473/260
- 6,443,852 B1 \* 9/2002 Kim ..... A63B 69/3676  
473/257
- 6,572,486 B2 \* 6/2003 Sweinhart ..... A63B 69/3676  
473/257
- D514,645 S \* 2/2006 Edwards ..... D21/791
- D606,613 S \* 12/2009 Prestwich ..... D21/791
- 8,016,698 B2 9/2011 Cameron
- 8,029,379 B1 \* 10/2011 Johansen ..... A63B 69/3676  
473/257
- 8,029,380 B1 \* 10/2011 Johansen ..... A63B 69/3676  
473/257
- 8,382,614 B1 2/2013 Menk

(Continued)

**FOREIGN PATENT DOCUMENTS**

WO 2000018478 A1 4/2000

*Primary Examiner* — Mitchell I. Siegel

(74) *Attorney, Agent, or Firm* — Anron R. Cramer;  
Cramer Patent & Design, PLLC.

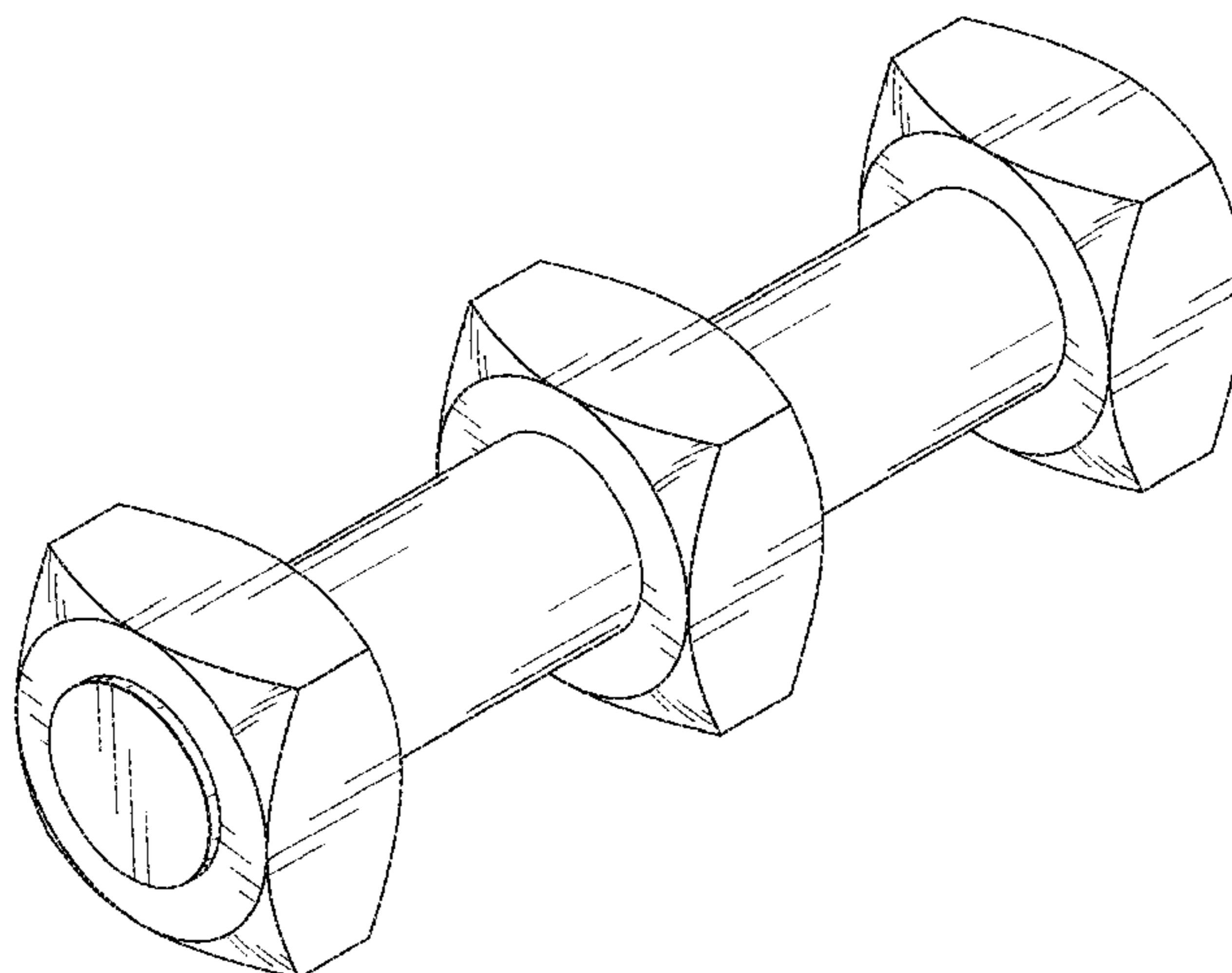
(57) **CLAIM**

The ornamental design for a putting marker, as shown and  
described.

**DESCRIPTION**

FIG. 1 is a perspective top front side view of a putting  
marker, showing my new design;  
FIG. 2 is a right-side elevation view thereof, with a left said  
elevation view being identical; and,  
FIG. 3 is a front side elevation view thereof, with a rear side  
elevation view, top side elevation view and bottom side  
elevation view being identical.

**1 Claim, 3 Drawing Sheets**



(56)

**References Cited**

U.S. PATENT DOCUMENTS

8,616,992	B2	12/2013	Kim	
D728,049	S *	4/2015	Gosman .....	D21/791
D737,393	S *	8/2015	Masucci .....	D21/791
2010/0222160	A1	9/2010	Williams	
2013/0178311	A1	7/2013	Peterson	
2013/0223953	A1 *	8/2013	Thompson .....	F16B 37/14 411/366.1
2013/0303298	A1 *	11/2013	Riedl .....	A63B 69/3676 473/257

\* cited by examiner

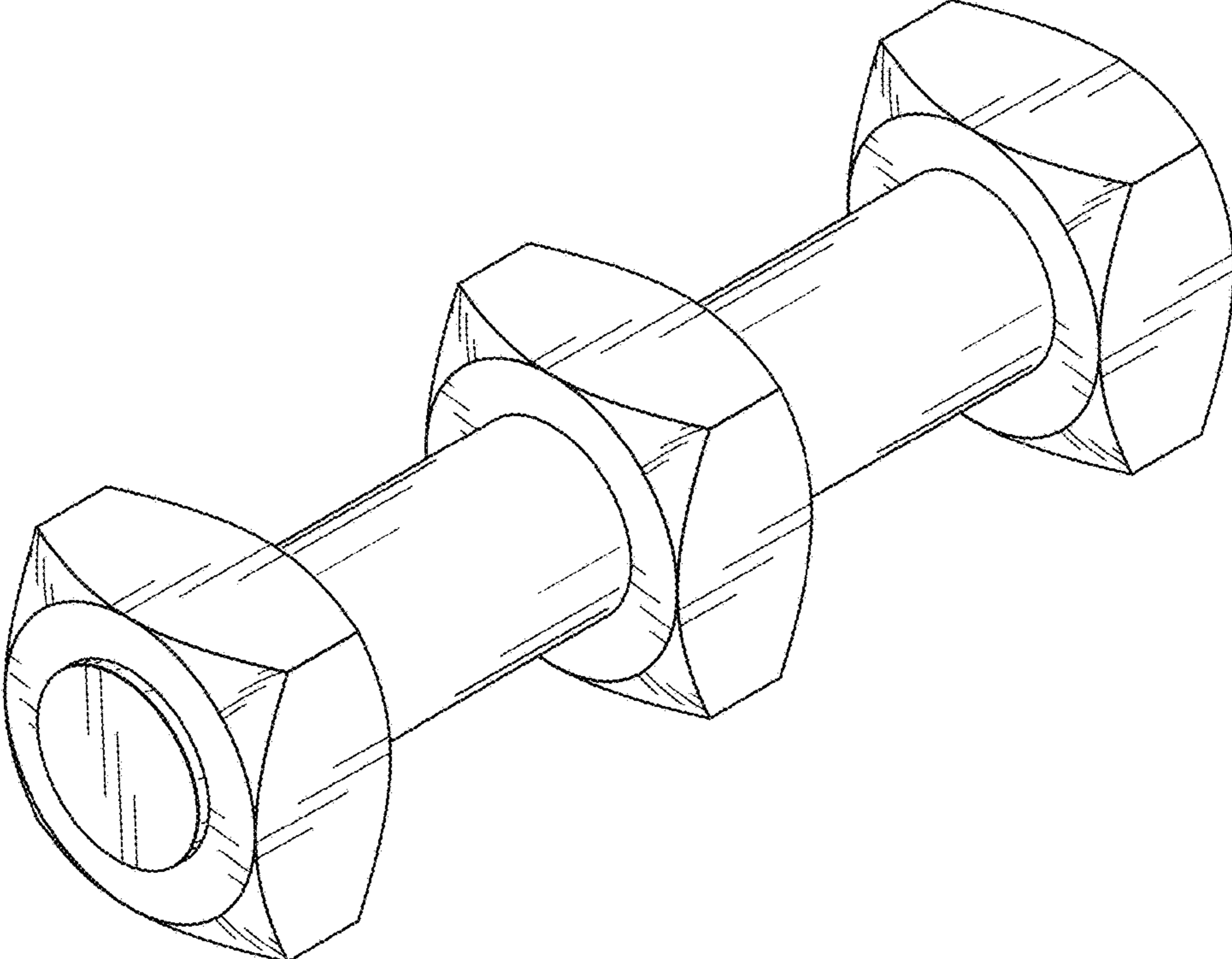


FIG. 1

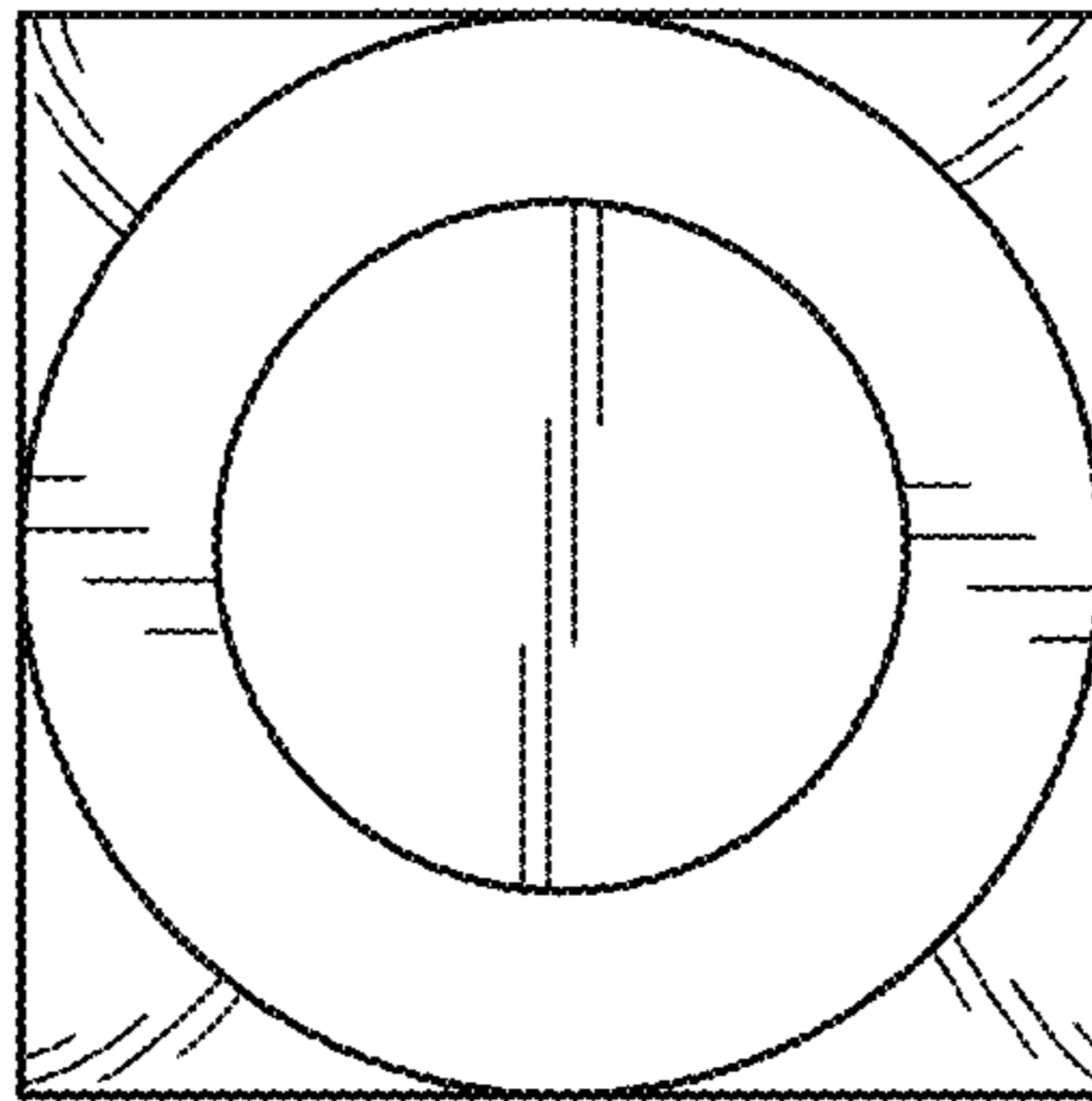


FIG. 2

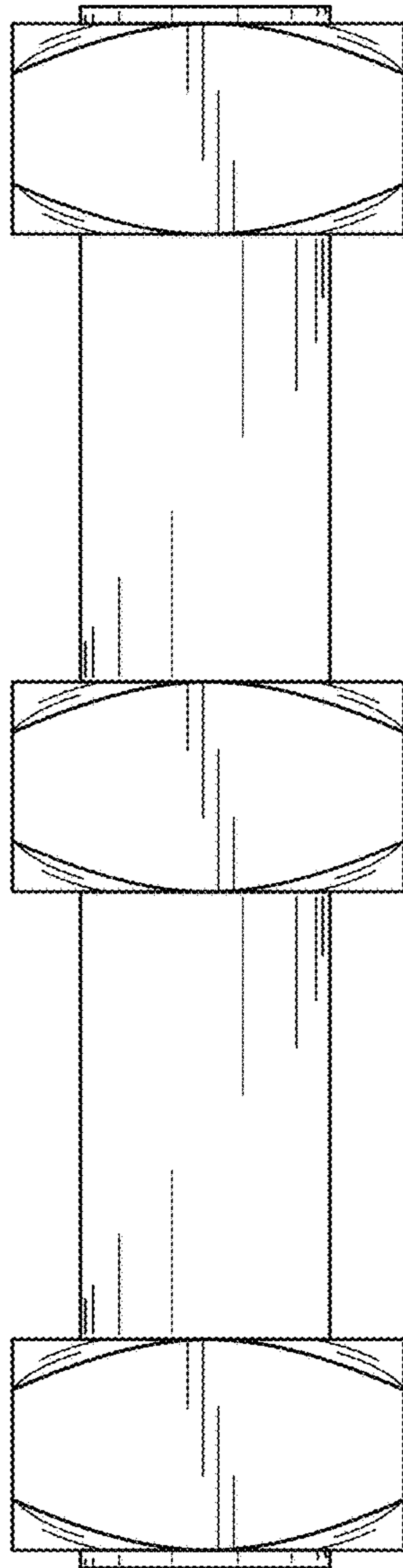


FIG. 3