

US00D817428S

(12) **United States Design Patent** (10) **Patent No.:** **US D817,428 S**
Meredith (45) **Date of Patent:** **** May 8, 2018**

(54) **BASKETBALL DRIBBLING TRAINING TOOL**
(71) Applicant: **Sean M. Meredith**, Brick, NJ (US)
(72) Inventor: **Sean M. Meredith**, Brick, NJ (US)
(**) Term: **15 Years**
(21) Appl. No.: **29/571,128**
(22) Filed: **Jul. 14, 2016**
(51) **LOC (11) Cl.** **21-02**
(52) **U.S. Cl.**
USPC **D21/781**; D21/698
(58) **Field of Classification Search**
USPC D21/465, 466, 467, 662, 694, 698-702,
D21/706, 719, 780, 781, 788, 789, 790,
D21/791, 798, 799.1, 800; D10/46.1,
D10/109.1, 109.2, 113.2
CPC A63B 47/00; A63B 63/00; A63B 63/06;
A63B 69/00; A63B 69/0017; A63B
69/0053; A63B 69/0057; A63B 69/0071;
A63B 69/0073; A63B 69/0079; A63B
69/0091; A63B 69/38; A63B 71/00; A63B
71/02; A63B 71/0054; A63B 71/023;
A63B 71/04
See application file for complete search history.

(56) **References Cited**
U.S. PATENT DOCUMENTS
2,162,073 A * 6/1939 Evans A63B 69/345
473/442
3,794,320 A * 2/1974 Salmont A63B 69/0024
473/429
3,856,298 A * 12/1974 Frantti A63B 63/00
273/127 R
D289,533 S * 4/1987 Morrison D21/465
5,205,799 A * 4/1993 Carbonero A63B 5/00
482/14
D387,835 S * 12/1997 Abram D21/791

5,738,600 A * 4/1998 Fouts A63B 69/0071
473/448
D395,475 S * 6/1998 Akwei D21/701
D617,402 S * 6/2010 Fuccillo D10/113.2
D791,000 S * 7/2017 Quirin D10/109.2
9,776,063 B2 * 10/2017 Ogle A63B 71/0619
9,839,829 B2 * 12/2017 Loucareas A63B 69/38
2004/0005939 A1 * 1/2004 Bourguet A63B 69/0071
473/447
2009/0117525 A1 * 5/2009 Bavaro A63B 69/002
434/247
2009/0149281 A1 * 6/2009 Johnson A63B 69/34
473/447
2012/0178553 A1 * 7/2012 Laird A63B 69/002
473/446
2016/0030825 A1 * 2/2016 Mazzanobile A63B 69/0028
434/255
2016/0059098 A1 * 3/2016 Nassrah A63B 63/00
473/173

(Continued)

Primary Examiner — Catherine A Tuttle

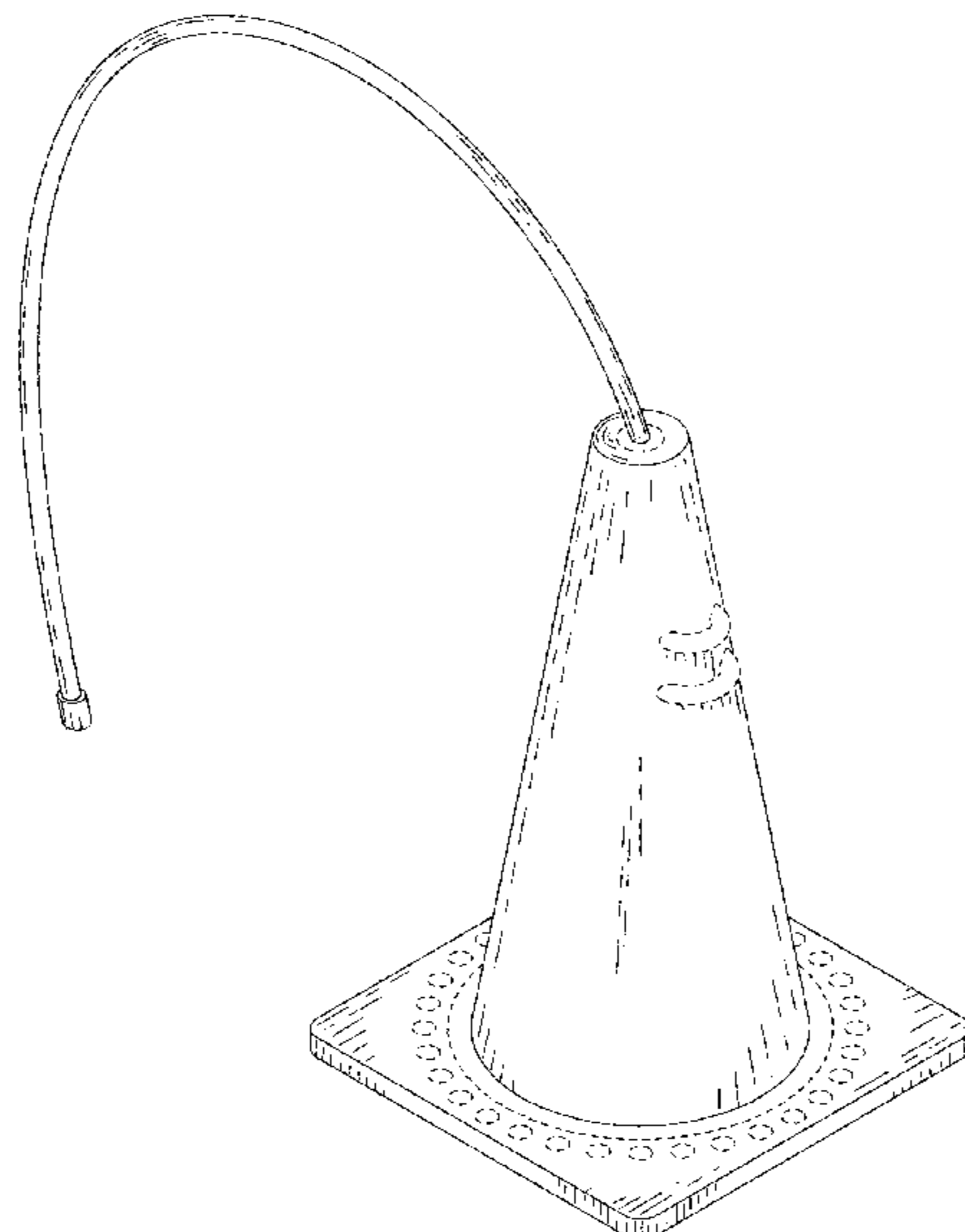
(57) **CLAIM**

The ornamental design for a basketball dribbling training tool, as shown and described.

DESCRIPTION

FIG. 1 is a perspective view of a basketball dribbling training tool showing my new design; FIG. 2 is a front elevational view thereof; FIG. 3 is a rear elevational view thereof; FIG. 4 is a left side elevational view thereof; FIG. 5 is a right side elevational view thereof; FIG. 6 is a bottom plan view thereof; and, FIG. 7 is a top plan view thereof. The broken lines showing the circles around the base and on top of the cone, the fastening hoops on the side of the cone and the bottom surface are included for the purpose of illustrating the portions of the basketball dribble training tool that form no part of the claimed design.

1 Claim, 7 Drawing Sheets



(56)

References Cited

U.S. PATENT DOCUMENTS

2016/0213993 A1* 7/2016 Holland A63B 69/002
2017/0136334 A1* 5/2017 Manzano
Santaella A63B 69/0091

* cited by examiner

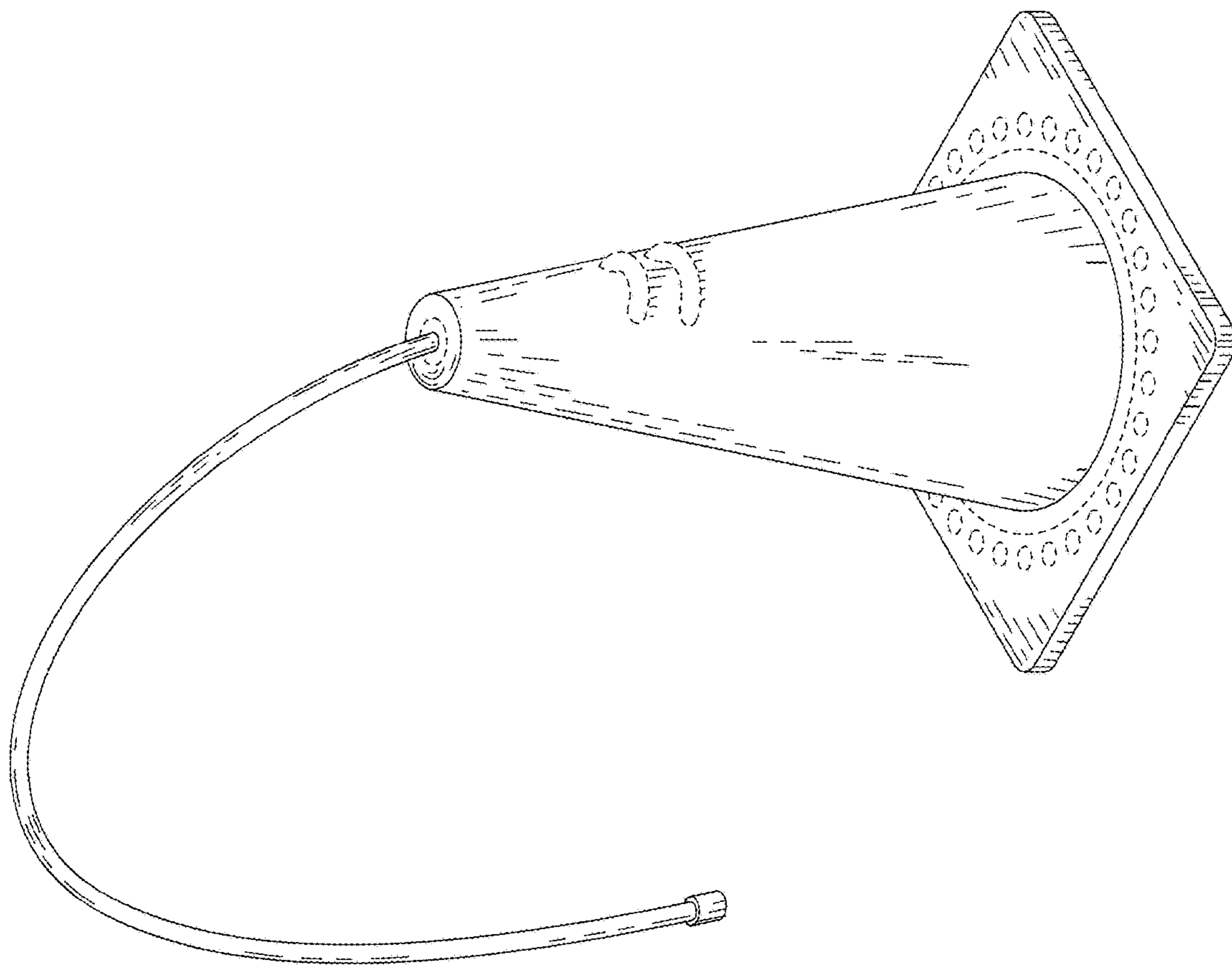


FIG. 1

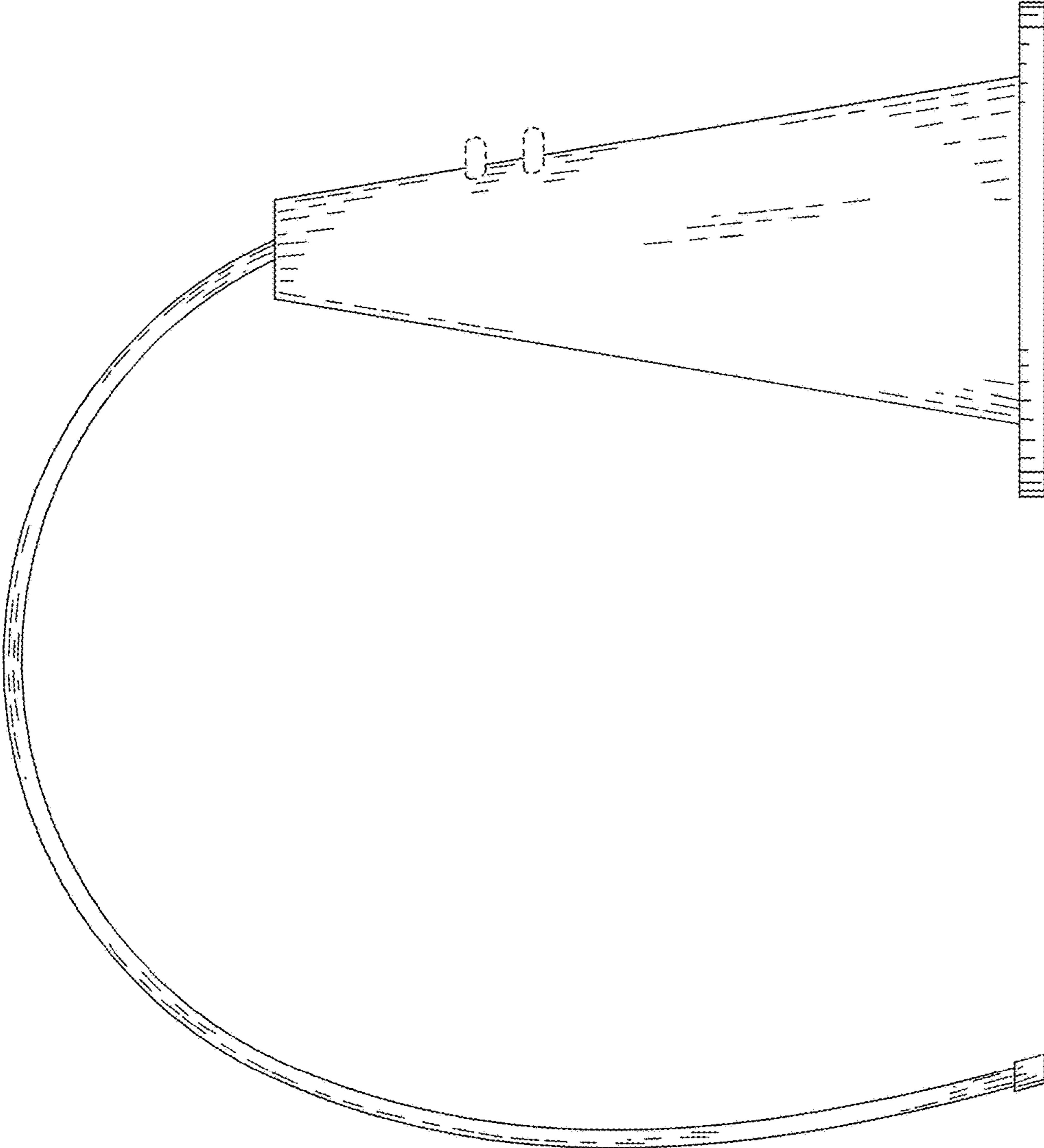


FIG. 2

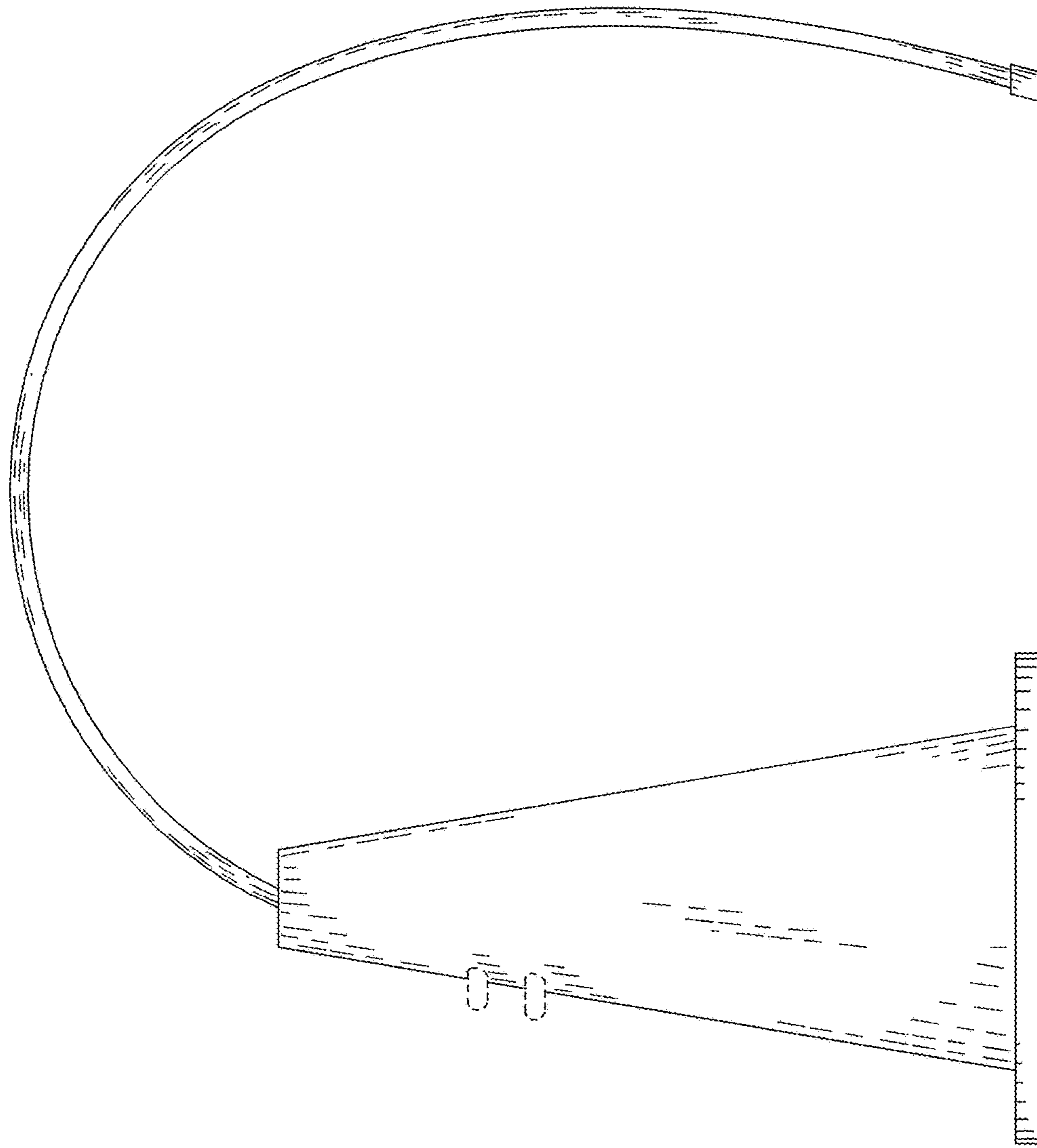


FIG. 3

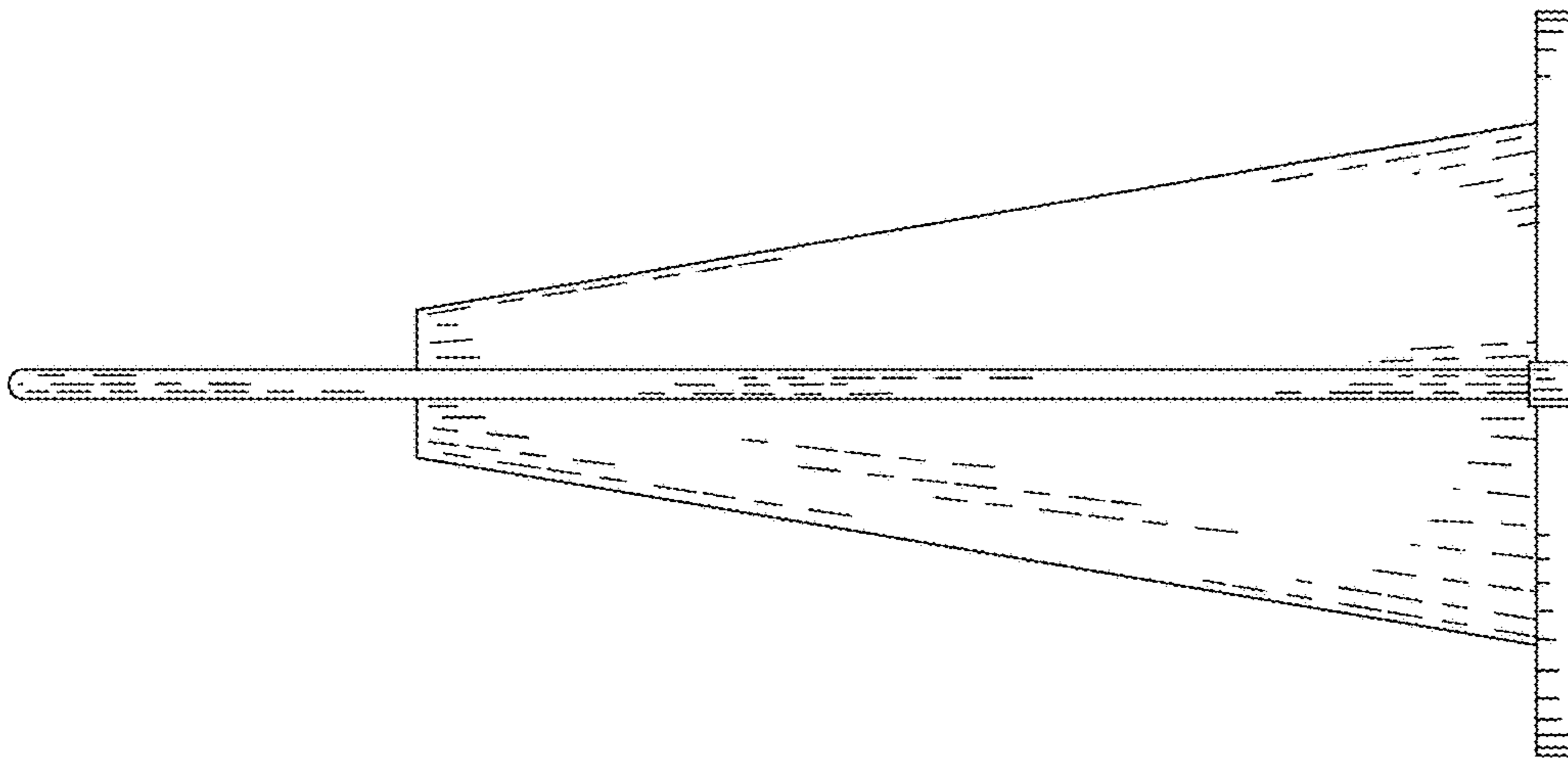


FIG. 4

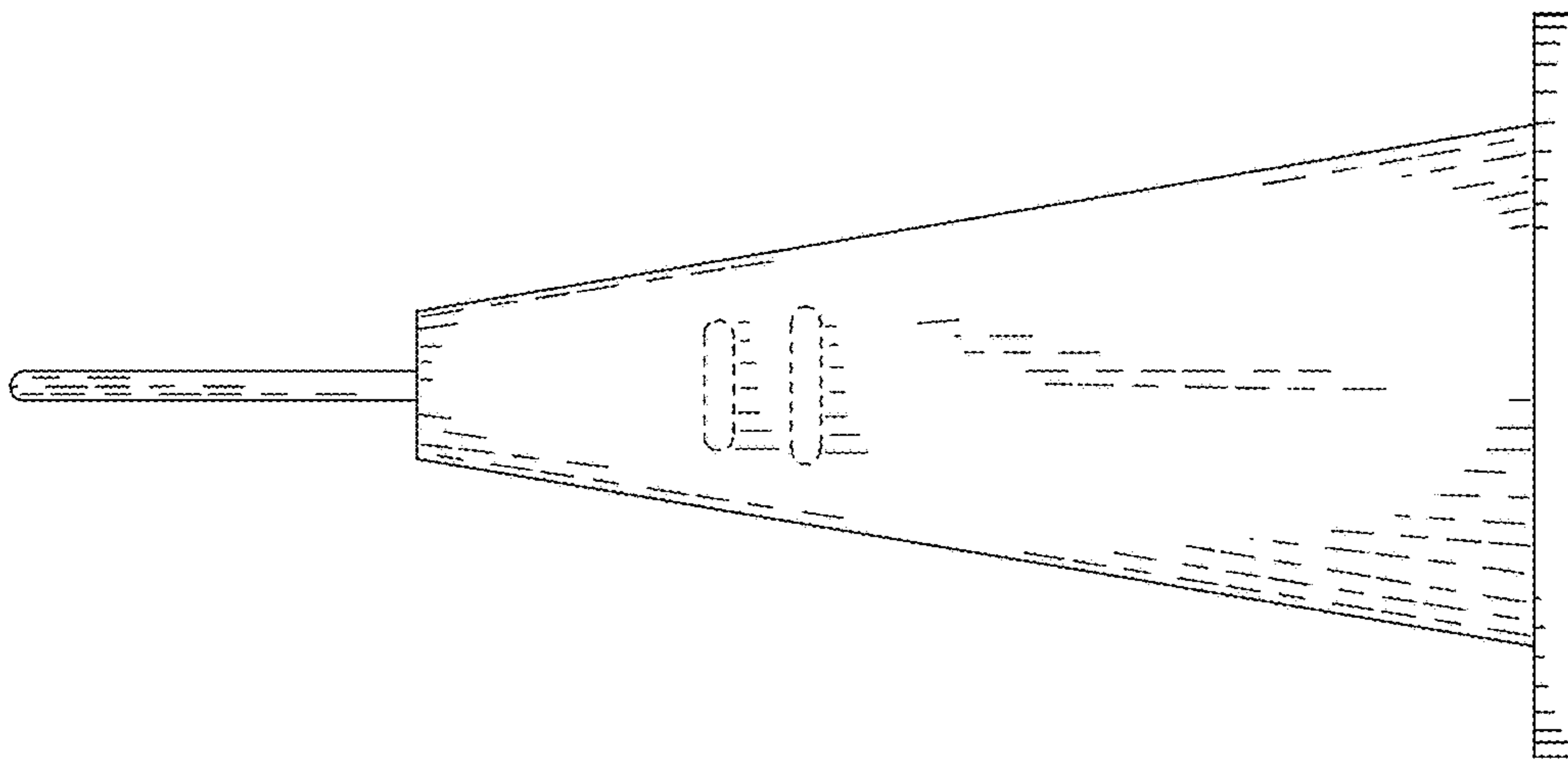


FIG. 5

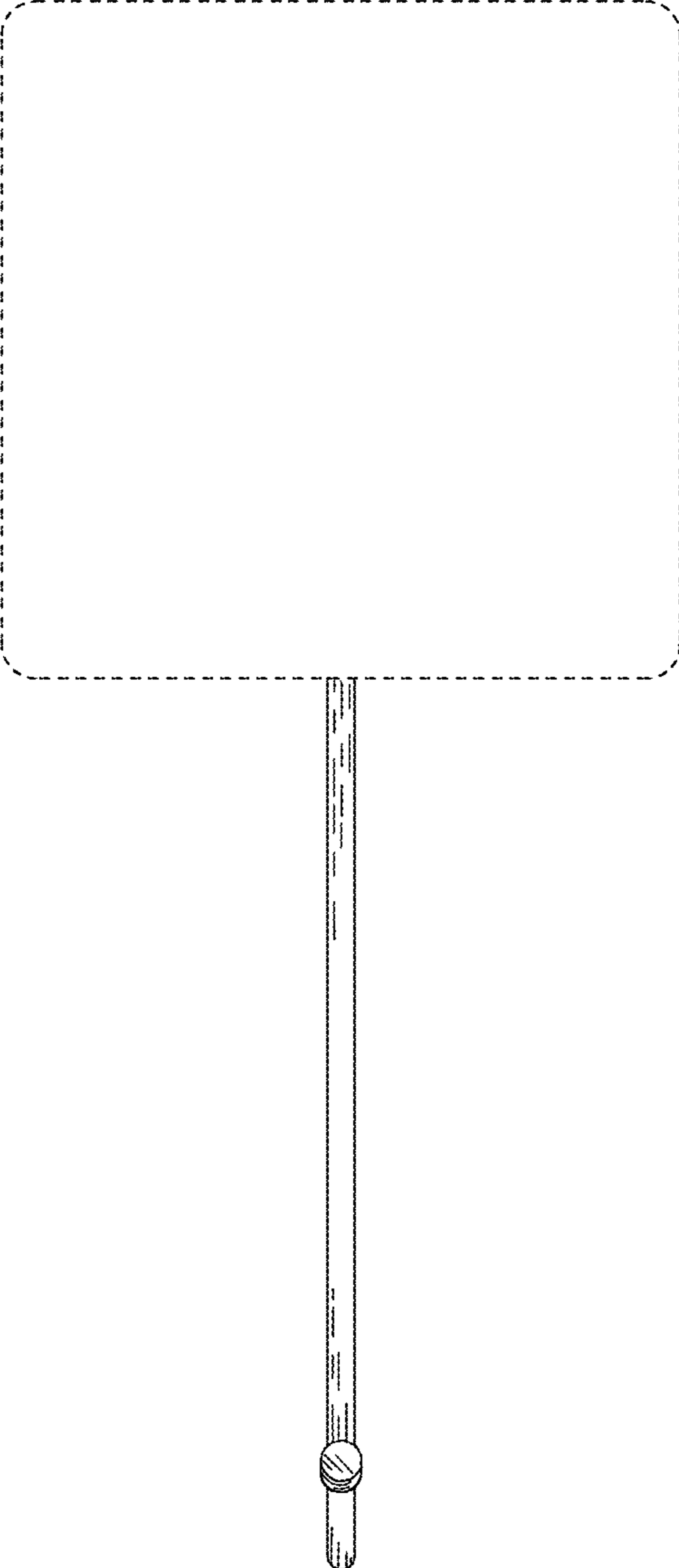


FIG. 6

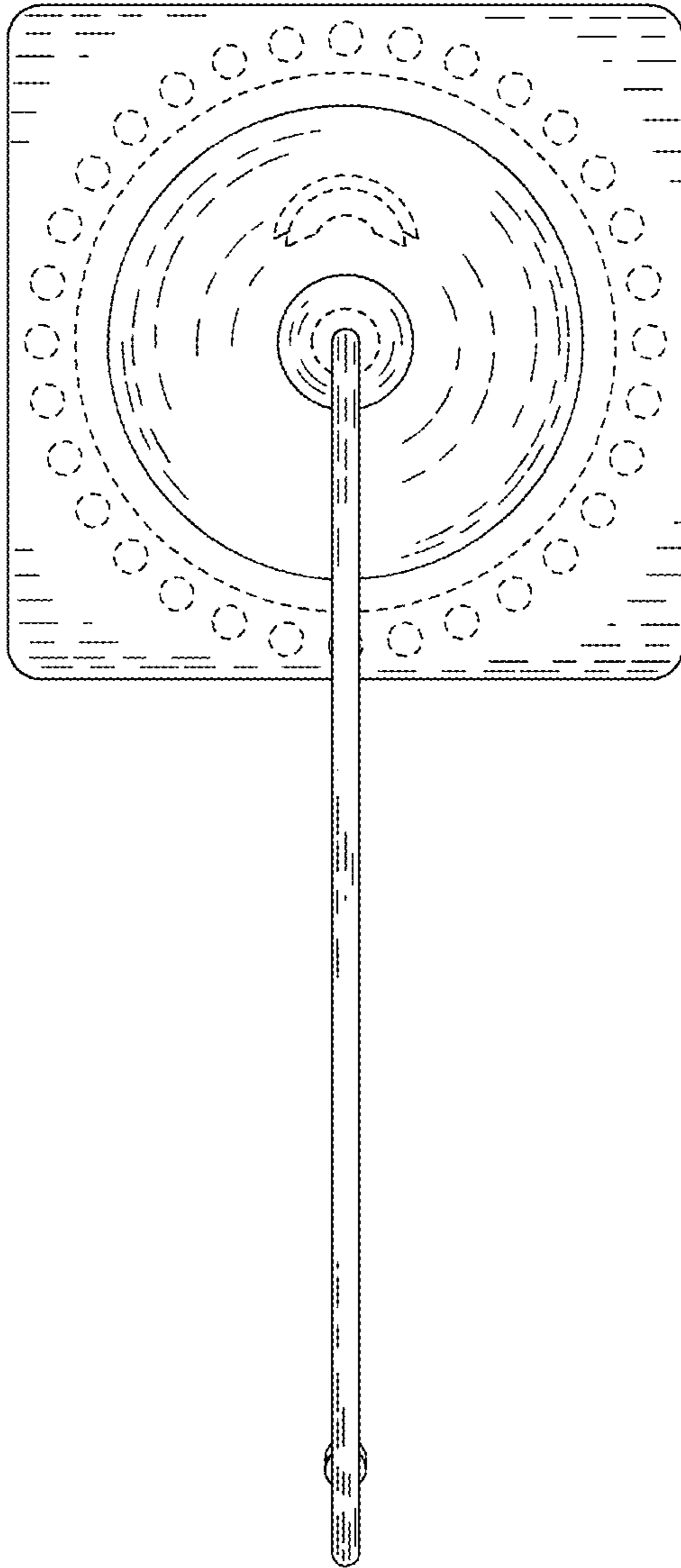


FIG. 7