



US00D817427S

(12) **United States Design Patent** (10) **Patent No.:** **US D817,427 S**
Pang (45) **Date of Patent:** **** May 8, 2018**

(54) **ELECTRICAL TRANSPORTATION TOOL**

(71) Applicant: **Walnut Technology Limited**, Kowloon (CN)

(72) Inventor: **Yik Hang Pang**, Hong Kong (CN)

(73) Assignee: **Walnut Technology Limited**, Kowloon (CN)

(**) Term: **15 Years**

(21) Appl. No.: **29/602,892**

(22) Filed: **May 4, 2017**

(30) **Foreign Application Priority Data**

Feb. 27, 2017 (CN) 2017 3 0051770

(51) **LOC (11) Cl.** **21-02**

(52) **U.S. Cl.**
USPC **D21/765**

(58) **Field of Classification Search**

USPC D21/419, 421, 423, 426, 662, 760, 765,
D21/766, 769, 771, 776, 803; D12/1;
280/7.14, 11.115, 11.19, 11.27, 11.28,
280/14.21, 79.11, 79.2, 87.01, 87.021,
280/87.03, 87.041, 87.042, 607, 608, 609,
280/809; 180/180, 181; 434/247, 253,
434/258; D34/23, 28
CPC A63C 17/01; A63C 17/011; A63C 17/012;
A63C 17/014; A63C 17/015; A63C
17/02; A63C 17/26; A63C 5/003; B60Q
1/326; B62K 3/001

See application file for complete search history.

(56) **References Cited**

U.S. PATENT DOCUMENTS

D298,448 S *	11/1988	Seehaver	D21/765
5,004,256 A *	4/1991	Won	A63C 17/26 280/87.042
5,330,026 A *	7/1994	Hsu	A63C 17/01 180/181
D413,954 S *	9/1999	Gerlach	D21/765
D608,851 S *	1/2010	Hillman	D21/765
D723,123 S *	2/2015	Norman	D21/765
D724,166 S *	3/2015	Hamborg	D21/765
D798,407 S *	9/2017	Pang	D21/765

* cited by examiner

Primary Examiner — Cynthia M Chin

(74) *Attorney, Agent, or Firm* — Finnegan, Henderson, Farabow, Garrett & Dunner, LLP

(57) **CLAIM**

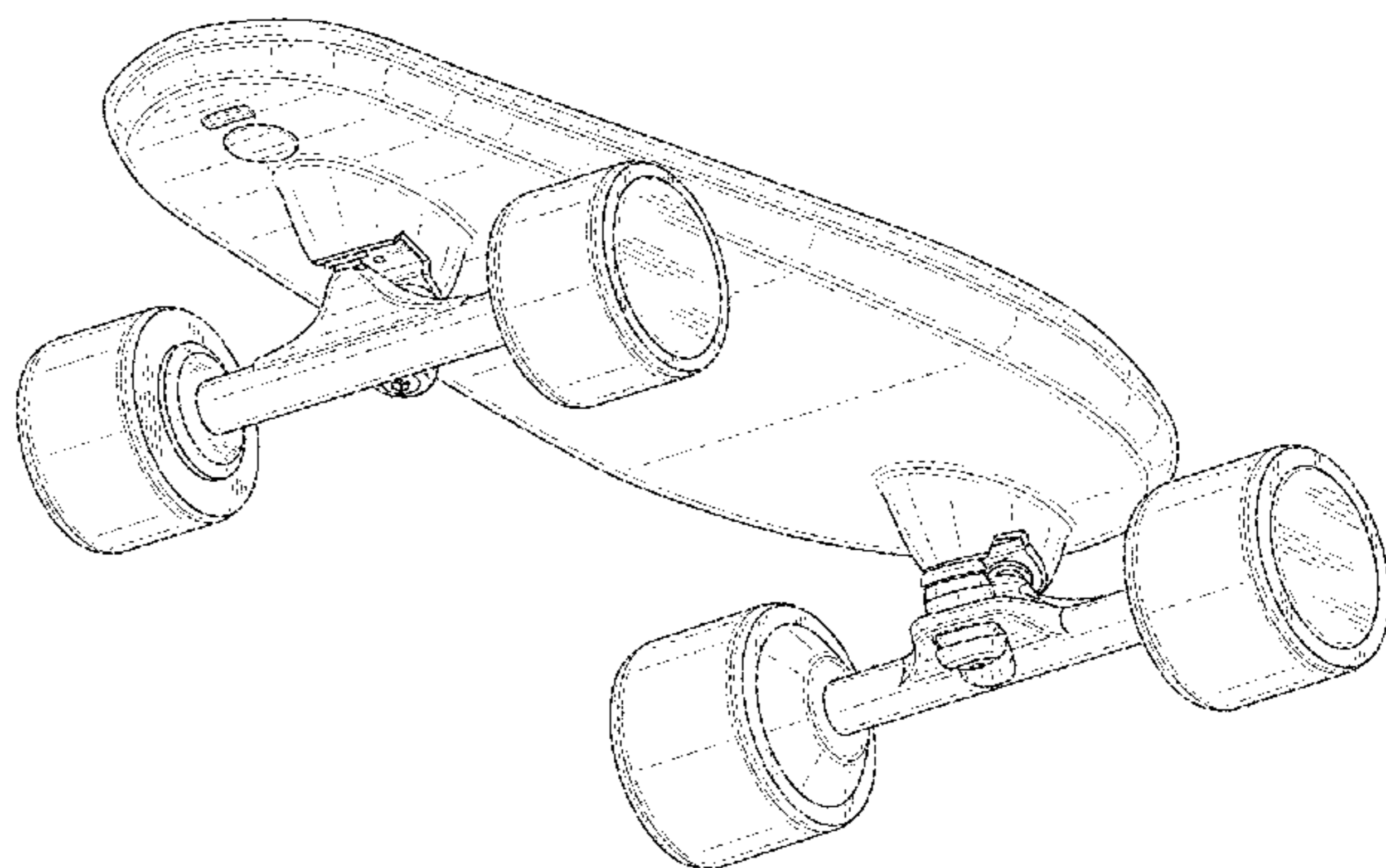
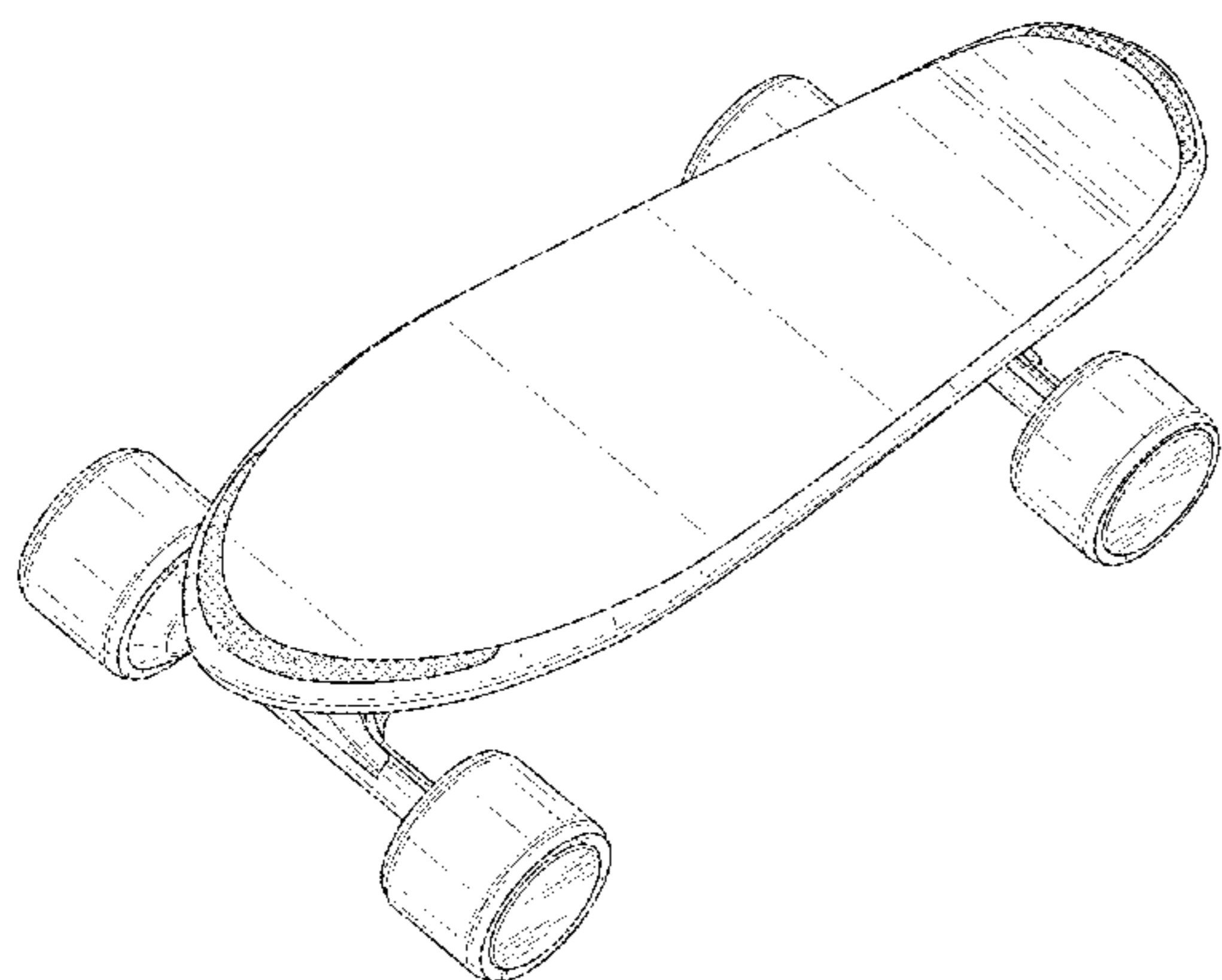
The ornamental design for an electrical transportation tool, as shown and described.

DESCRIPTION

FIG. 1 is a top, front, right perspective view of an electrical transportation tool, showing my new design;
FIG. 2 is a bottom, rear, left perspective view thereof;
FIG. 3 is a bottom, right perspective view thereof;
FIG. 4 is a front elevation view thereof;
FIG. 5 is a rear elevation view thereof;
FIG. 6 is a right side elevation view thereof;
FIG. 7 is a left side elevation view thereof;
FIG. 8 is a top plan view thereof; and,
FIG. 9 is a bottom plan view thereof.

Contrast in materials is shown using line shading on some surfaces and stippling shading on others.

1 Claim, 9 Drawing Sheets



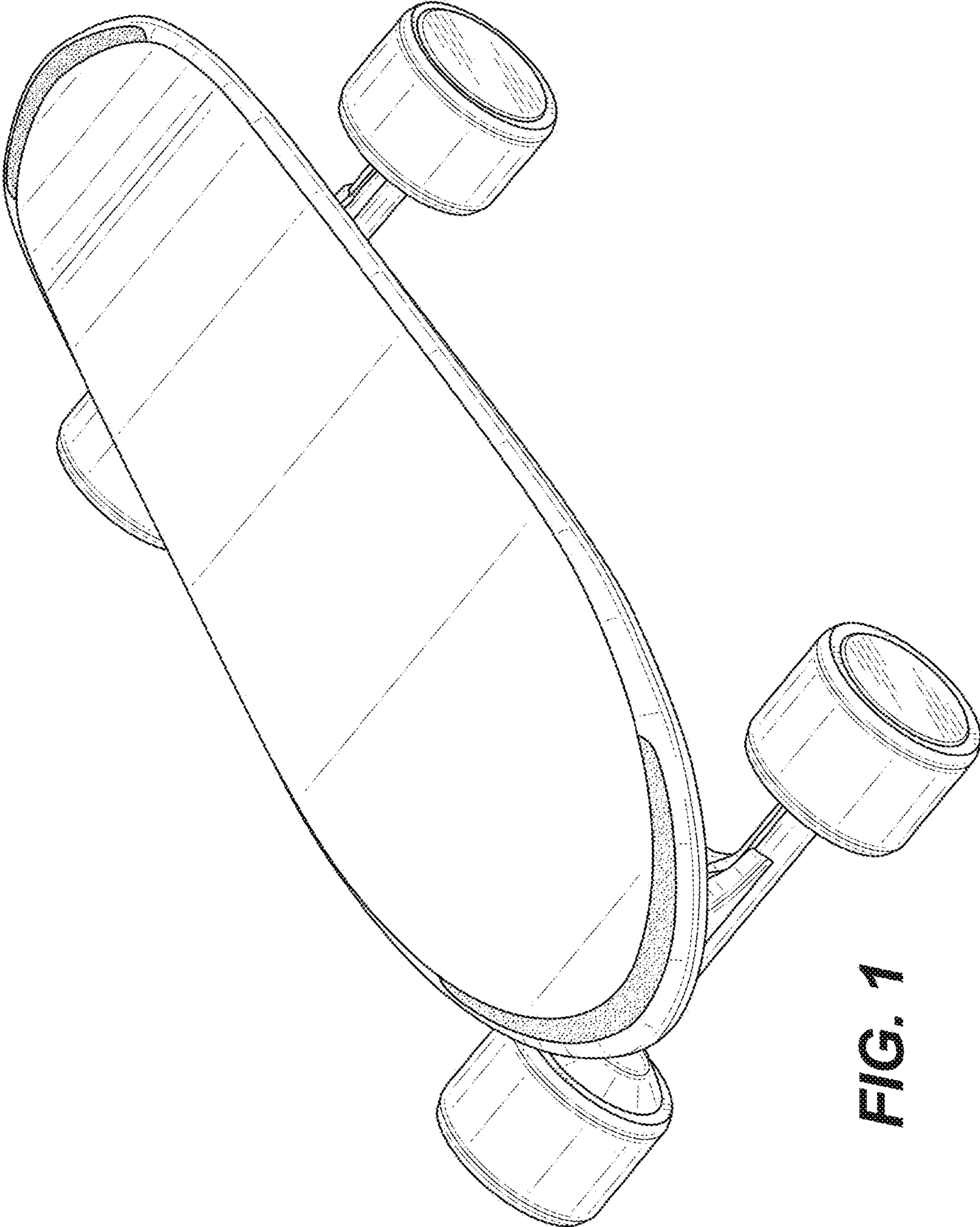


FIG. 1

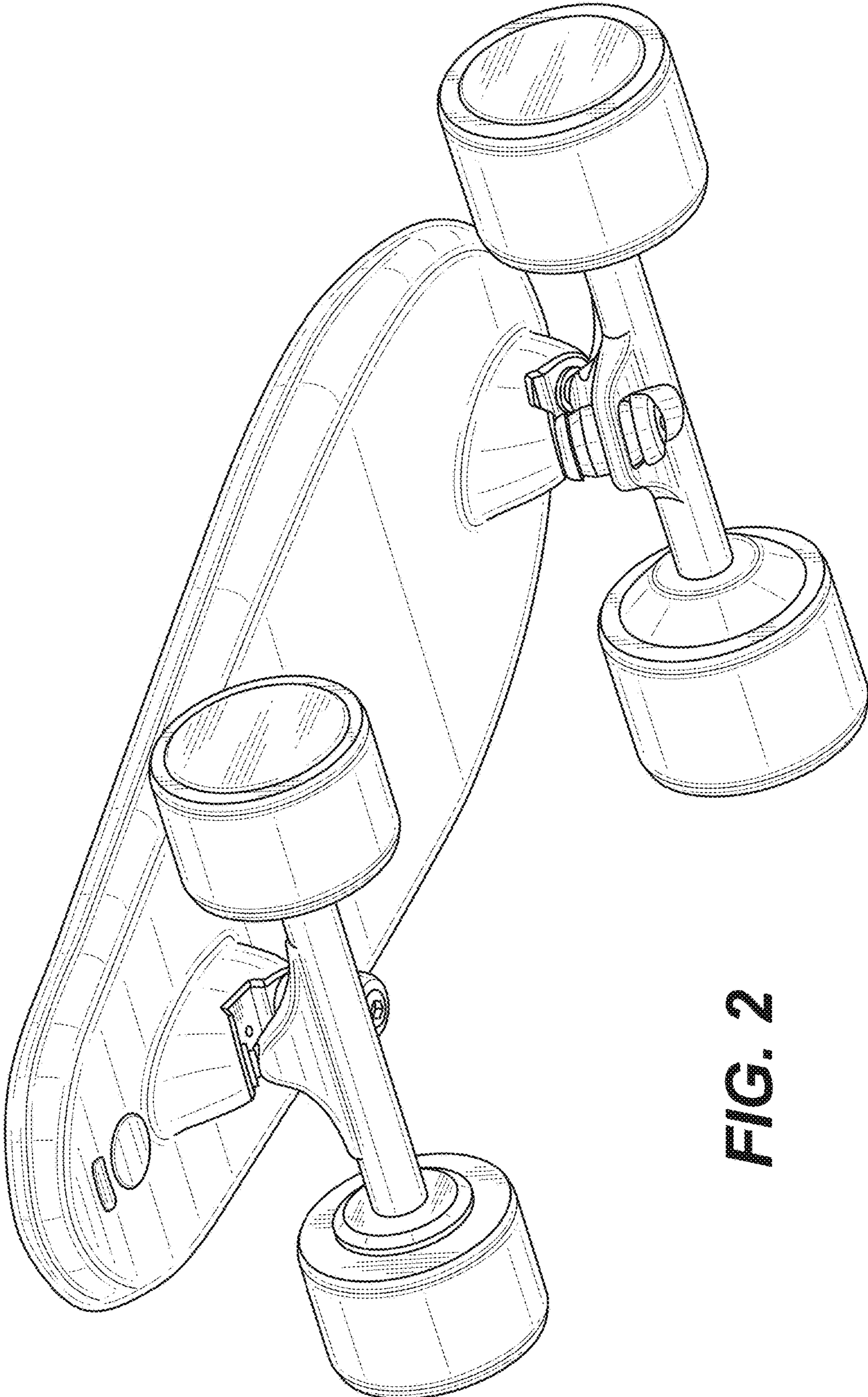


FIG. 2

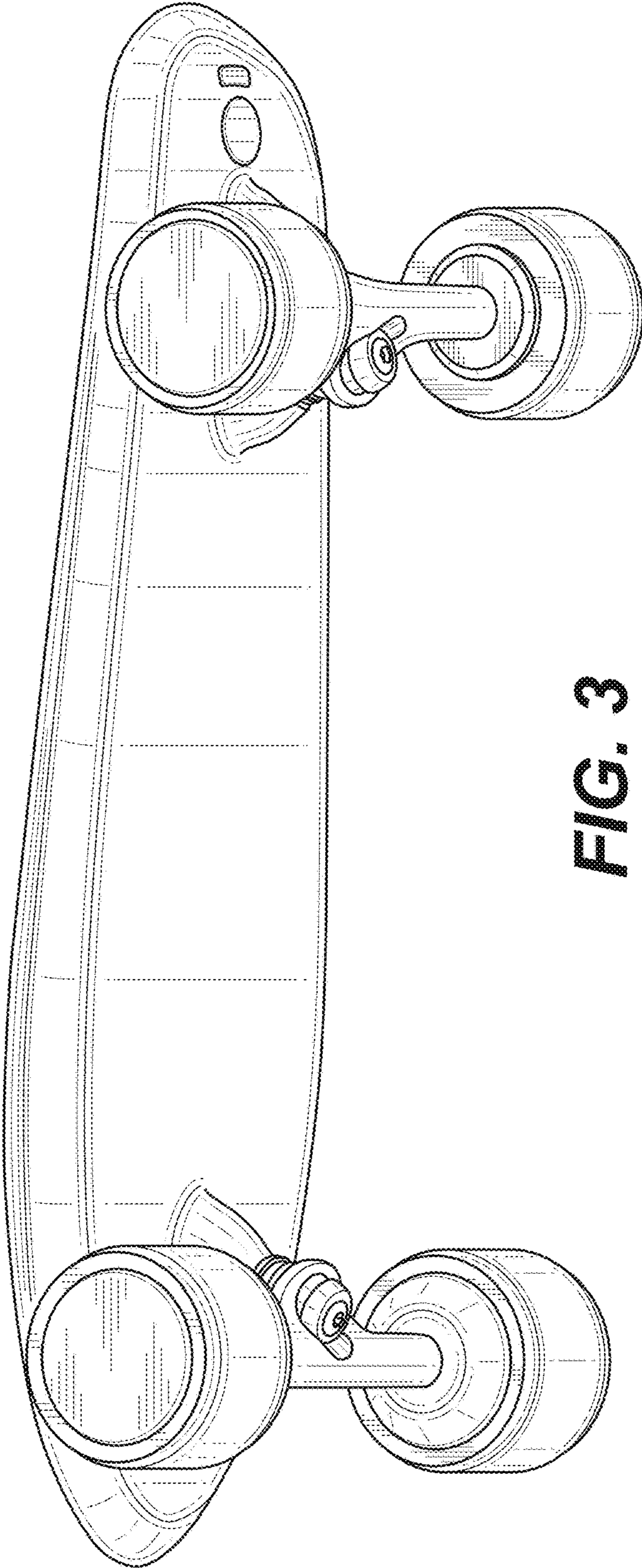


FIG. 3

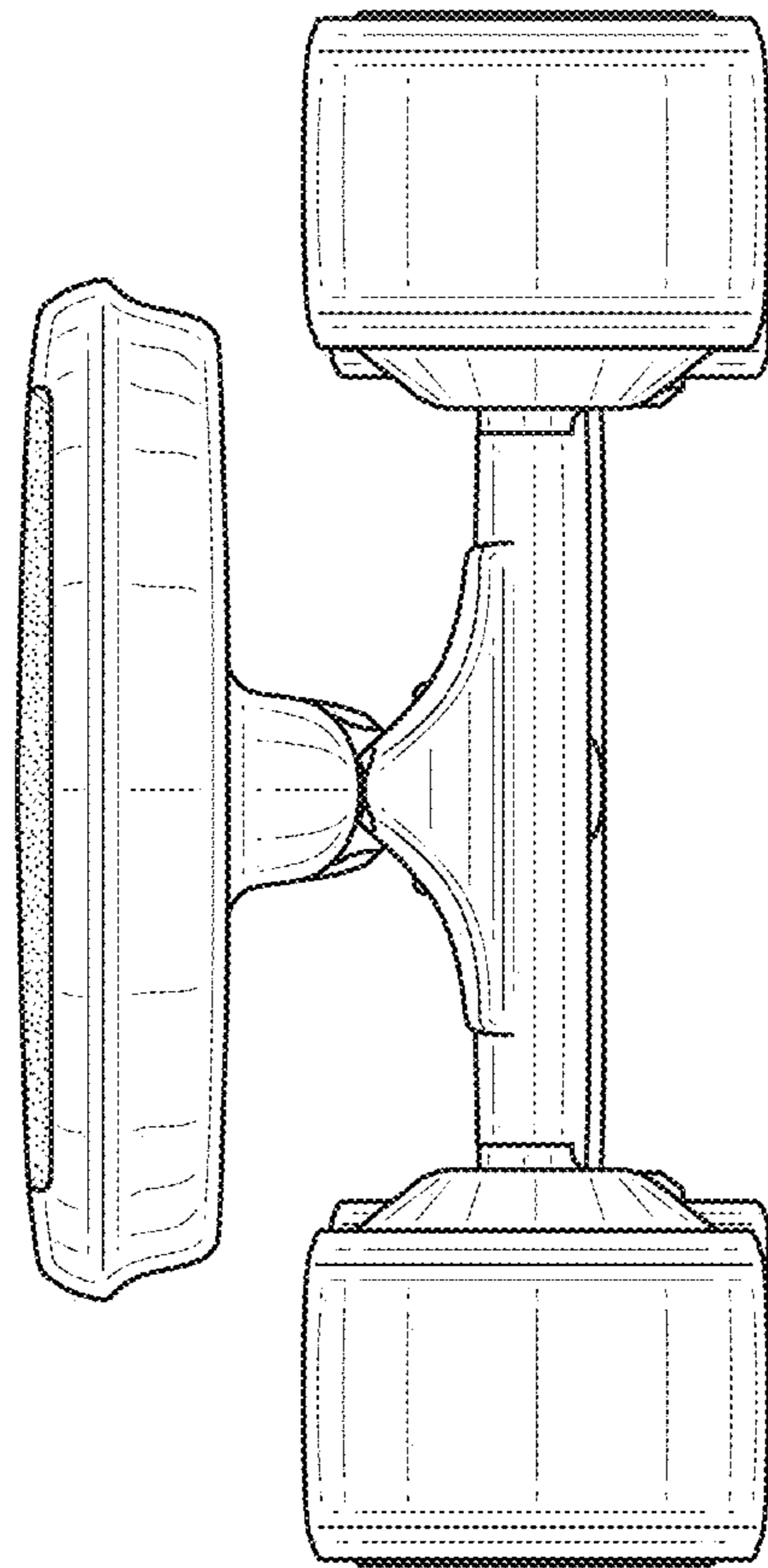


FIG. 4

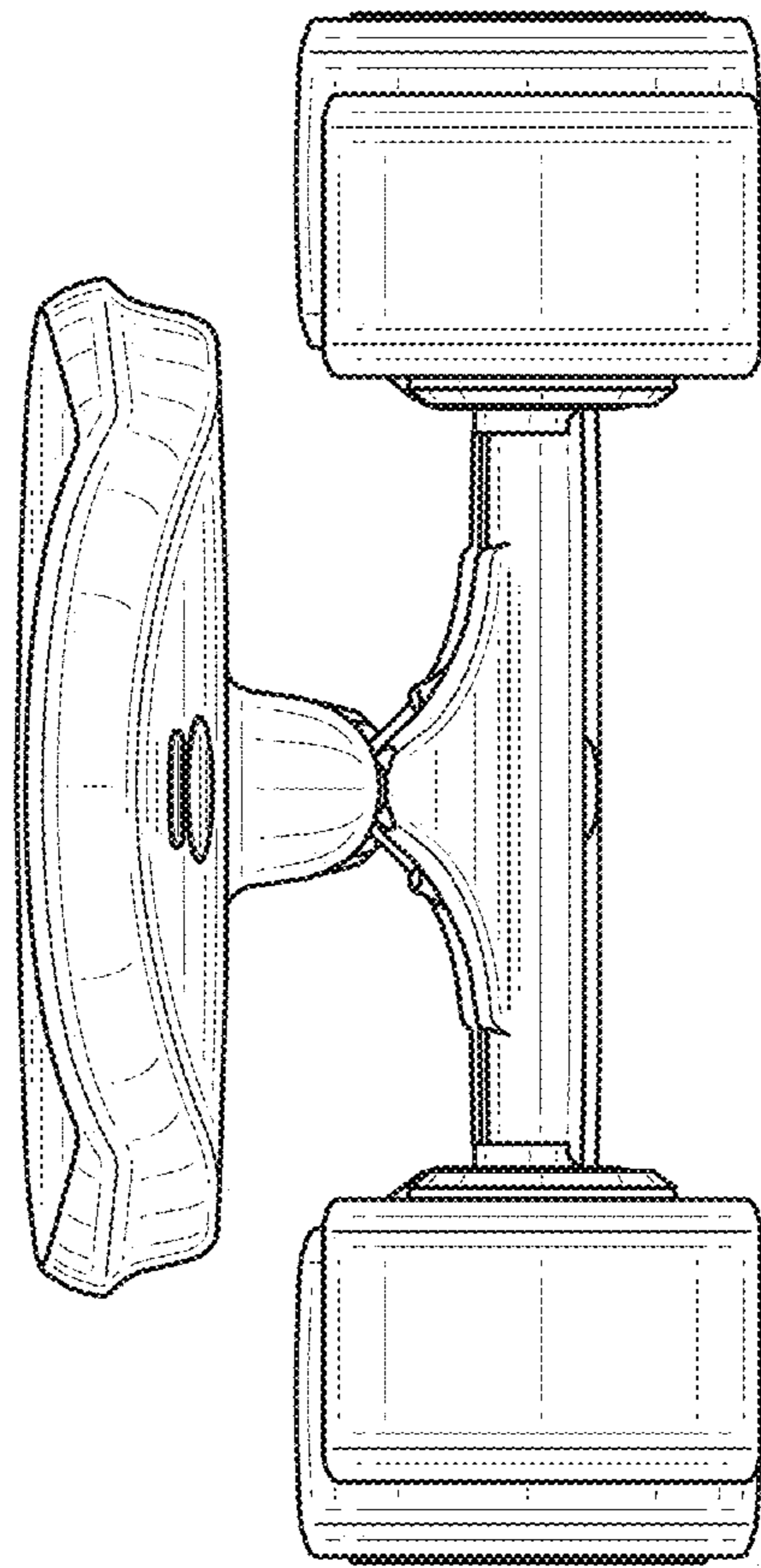


FIG. 5

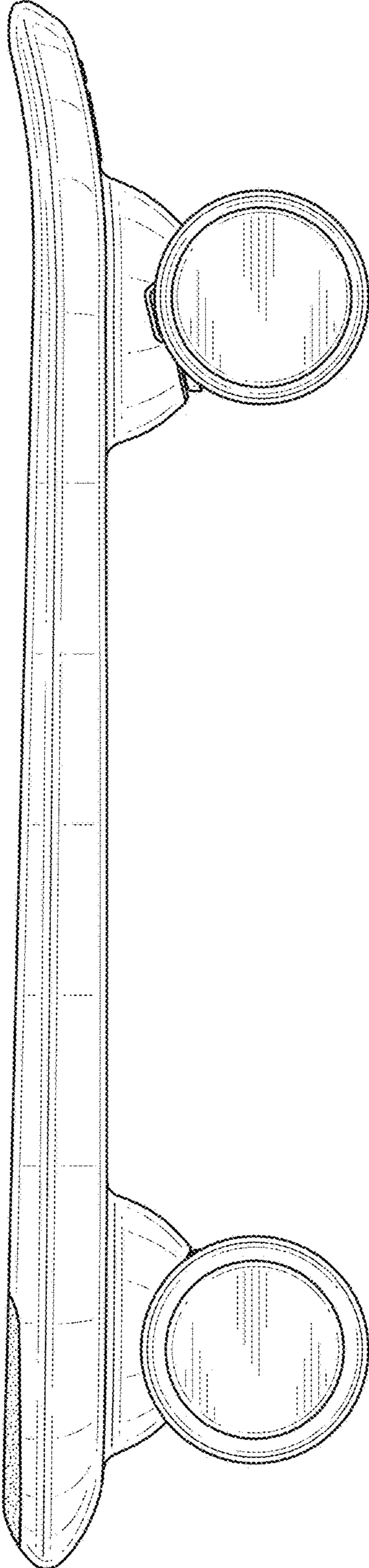


FIG. 6

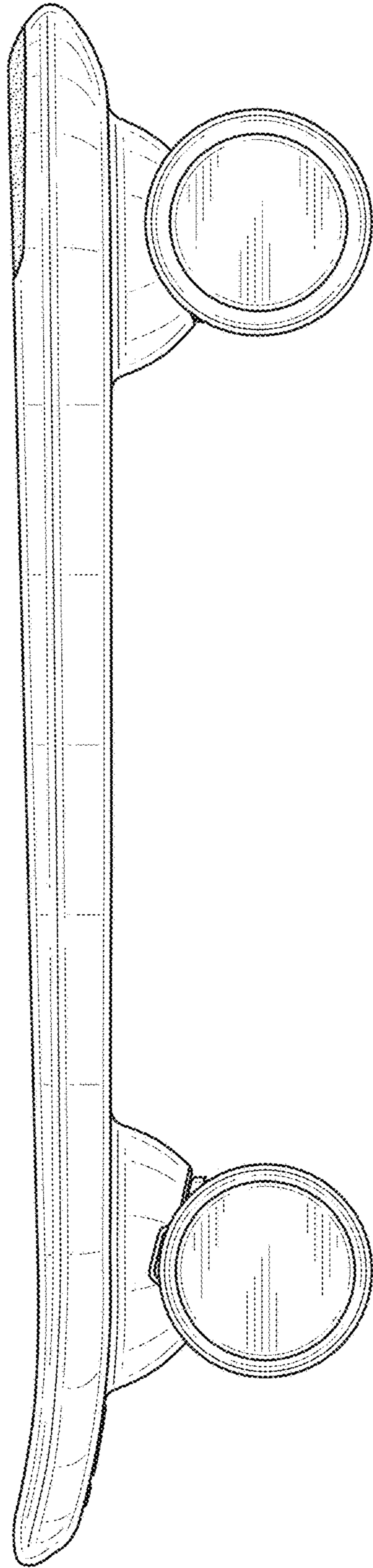


FIG. 7

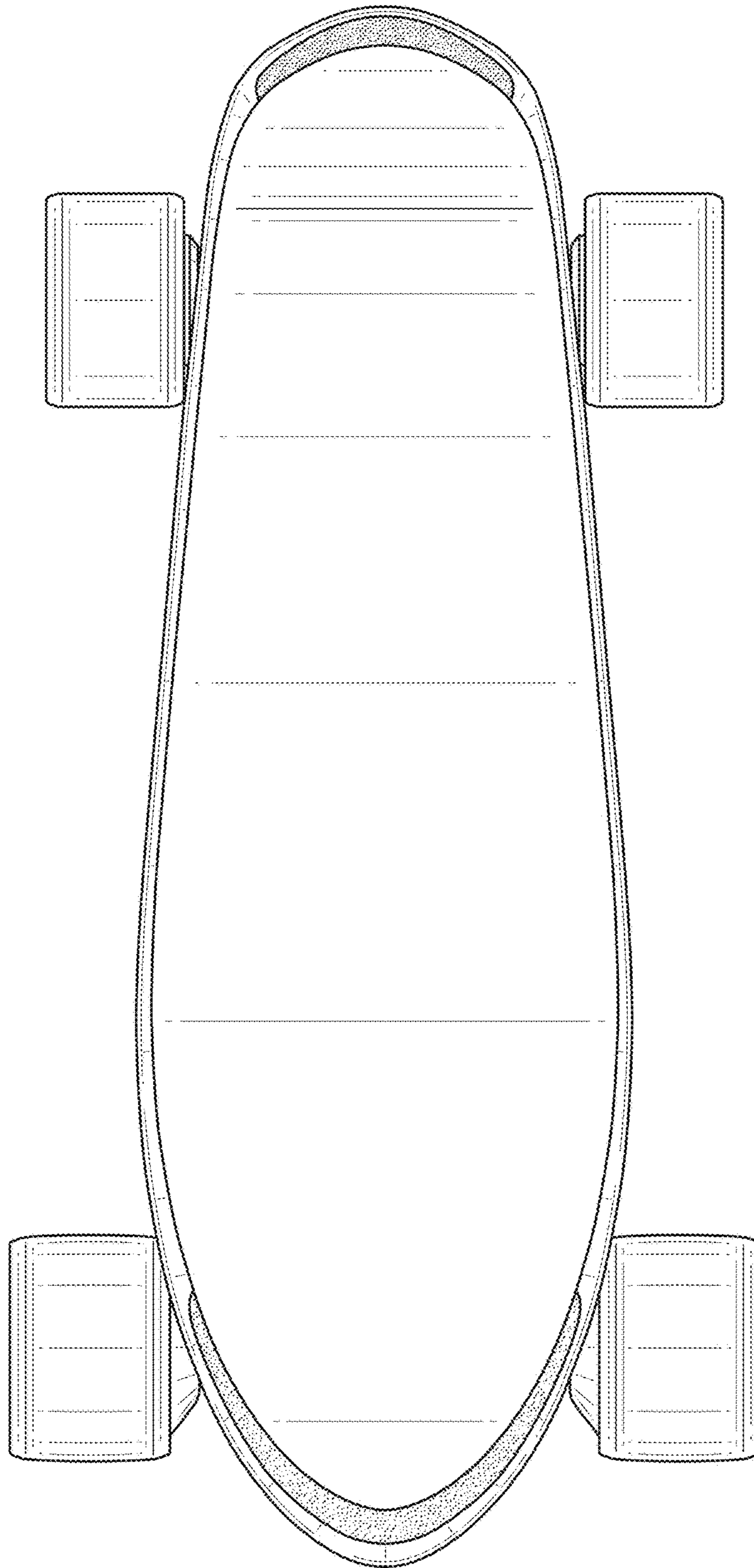


FIG. 8

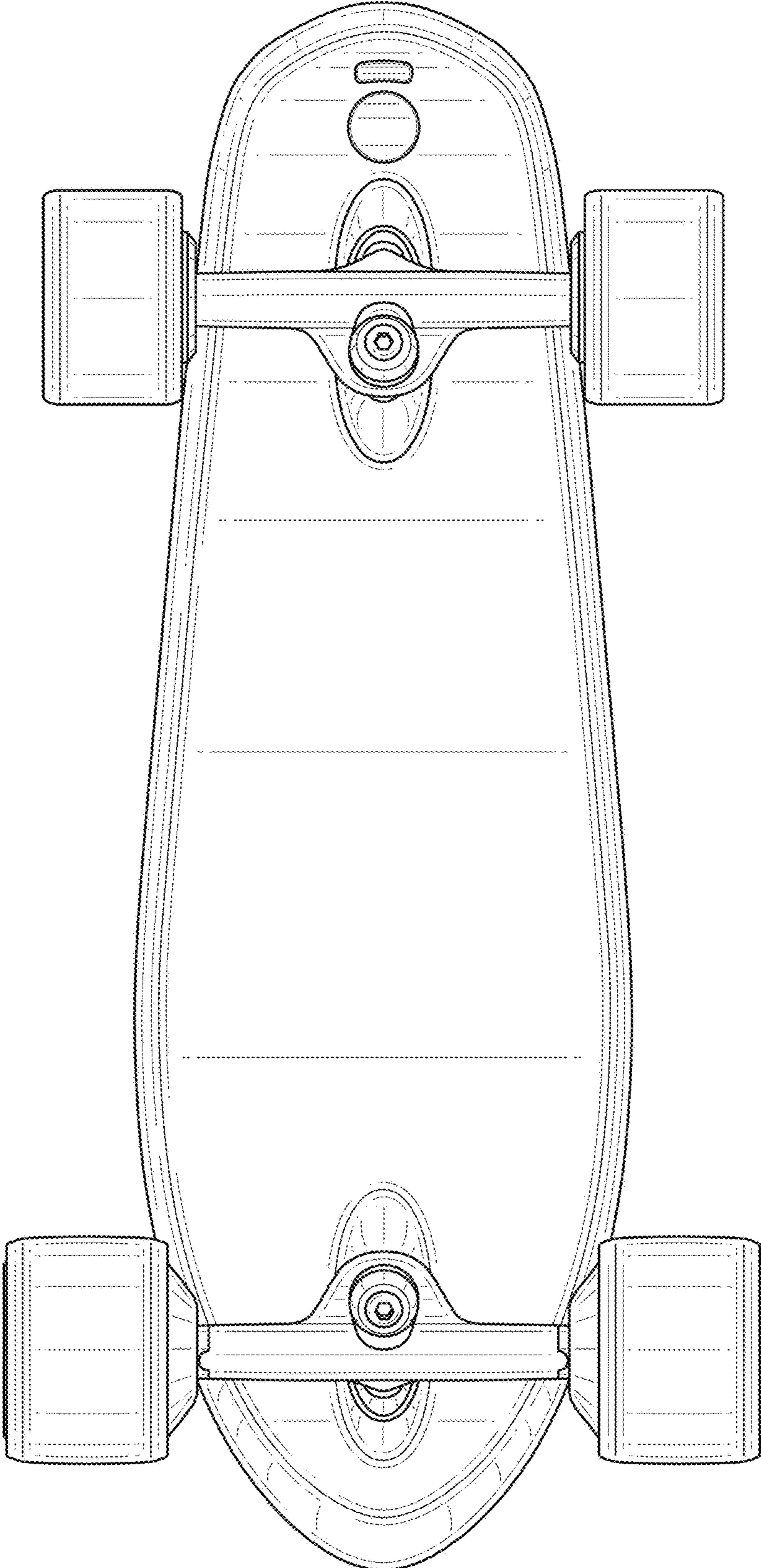


FIG. 9