



US00D817426S

(12) **United States Design Patent**
Toulon

(10) **Patent No.:** **US D817,426 S**

(45) **Date of Patent:** **** May 8, 2018**

(54) **PUTTER HEAD**

(71) Applicant: **Callaway Golf Company**, Carlsbad,
CA (US)

(72) Inventor: **Sean Toulon**, Vista, CA (US)

(73) Assignee: **Callaway Golf Company**, Carlsbad,
CA (US)

(**) Term: **15 Years**

(21) Appl. No.: **29/600,183**

(22) Filed: **Apr. 10, 2017**

(51) **LOC (11) Cl.** **21-02**

(52) **U.S. Cl.**
USPC **D21/759**

(58) **Field of Classification Search**
USPC D21/736-746, 759
CPC A63B 53/00; A63B 53/04; A63B 53/007;
A63B 53/065; A63B 53/0487; A63B
60/00; A63B 60/46
See application file for complete search history.

(56) **References Cited**

U.S. PATENT DOCUMENTS

D335,316 S * 5/1993 Shearer D21/743
D335,318 S * 5/1993 Shearer D21/742

D357,291 S * 4/1995 Solheim D21/742
D682,376 S * 5/2013 Oliveiro D21/736
D733,818 S * 7/2015 Jorgensen D21/736
D763,373 S * 8/2016 Cardani D21/736
D763,383 S * 8/2016 Cardani D21/759
D779,606 S * 2/2017 Beكتور D21/742
2007/0135232 A1* 6/2007 Billings A63B 53/0487
473/340

* cited by examiner

Primary Examiner — Mitchell I. Siegel

(74) *Attorney, Agent, or Firm* — Rebecca Hanovice;
Michael Catania; Sonia Lari

(57) **CLAIM**

The ornamental design for a putter head, as shown and described.

DESCRIPTION

FIG. 1 is a rear perspective view of the putter head claimed herein;

FIG. 2 is a rear elevational view thereof;

FIG. 3 is a front elevational view thereof;

FIG. 4 is a left side elevational view thereof;

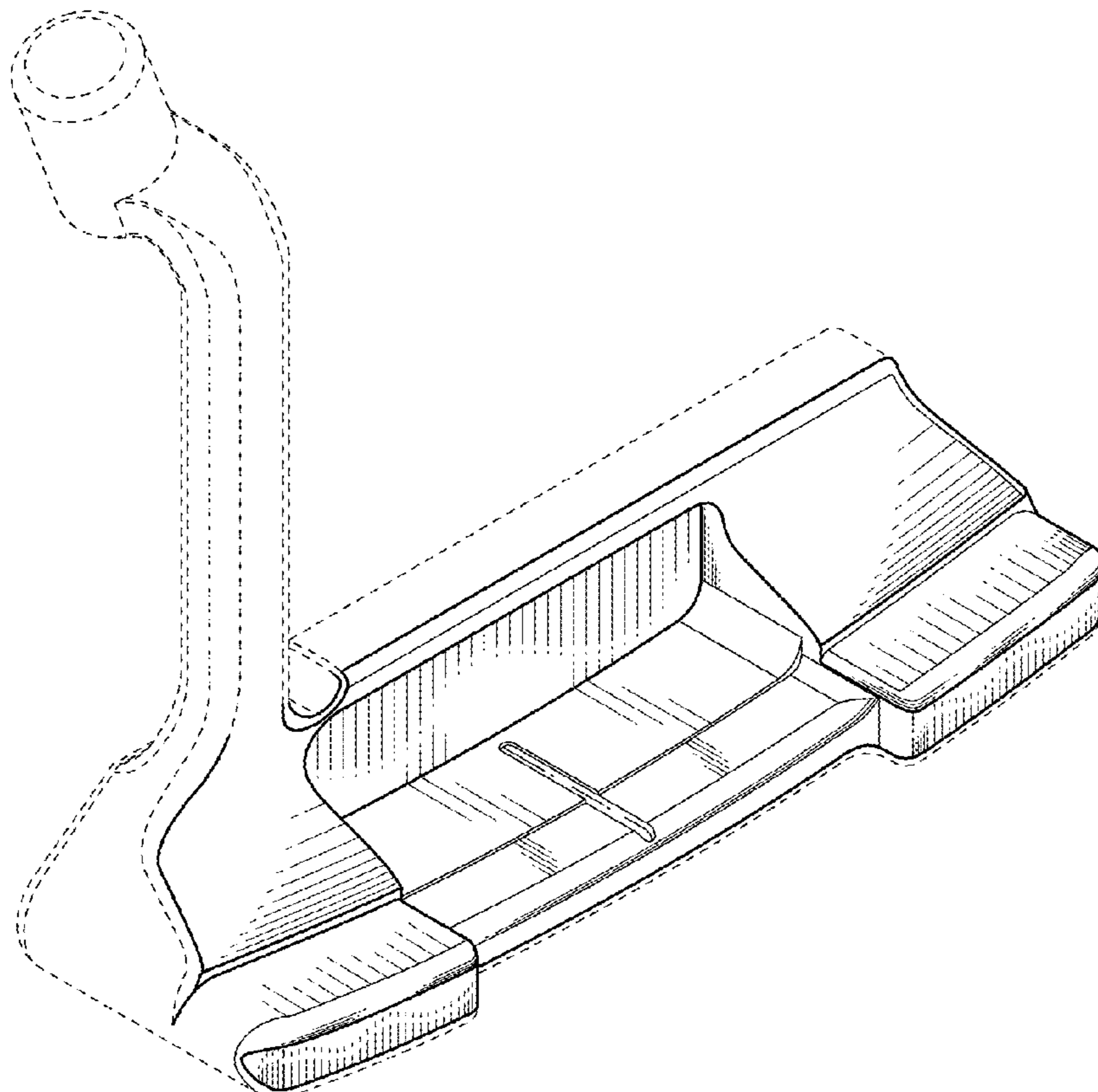
FIG. 5 is a right side elevational view thereof;

FIG. 6 is a top plan view thereof; and,

FIG. 7 is a bottom plan view thereof.

The broken lines are included for the purpose of illustration and form no part of the claimed design.

1 Claim, 4 Drawing Sheets



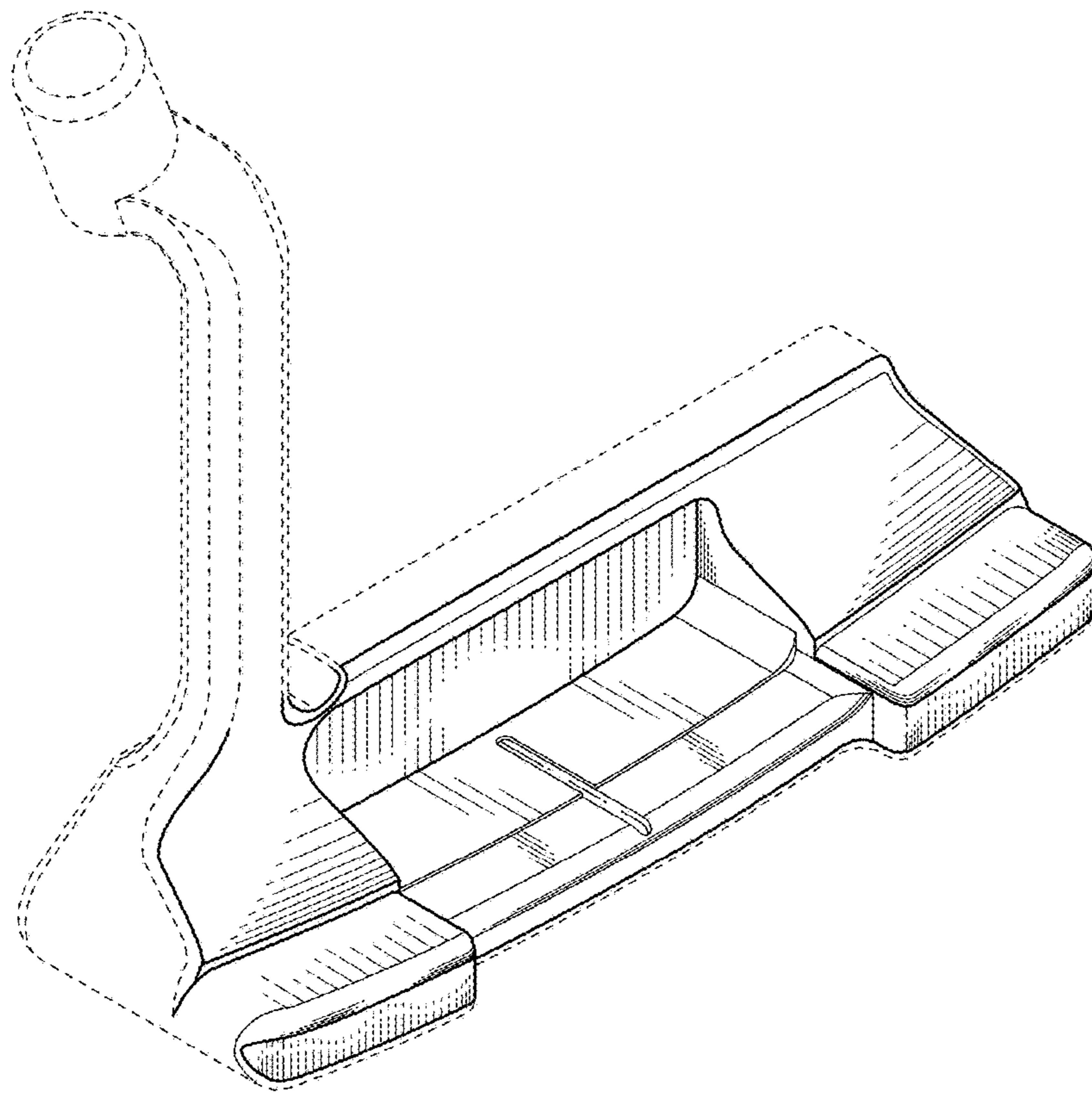


FIG. 1

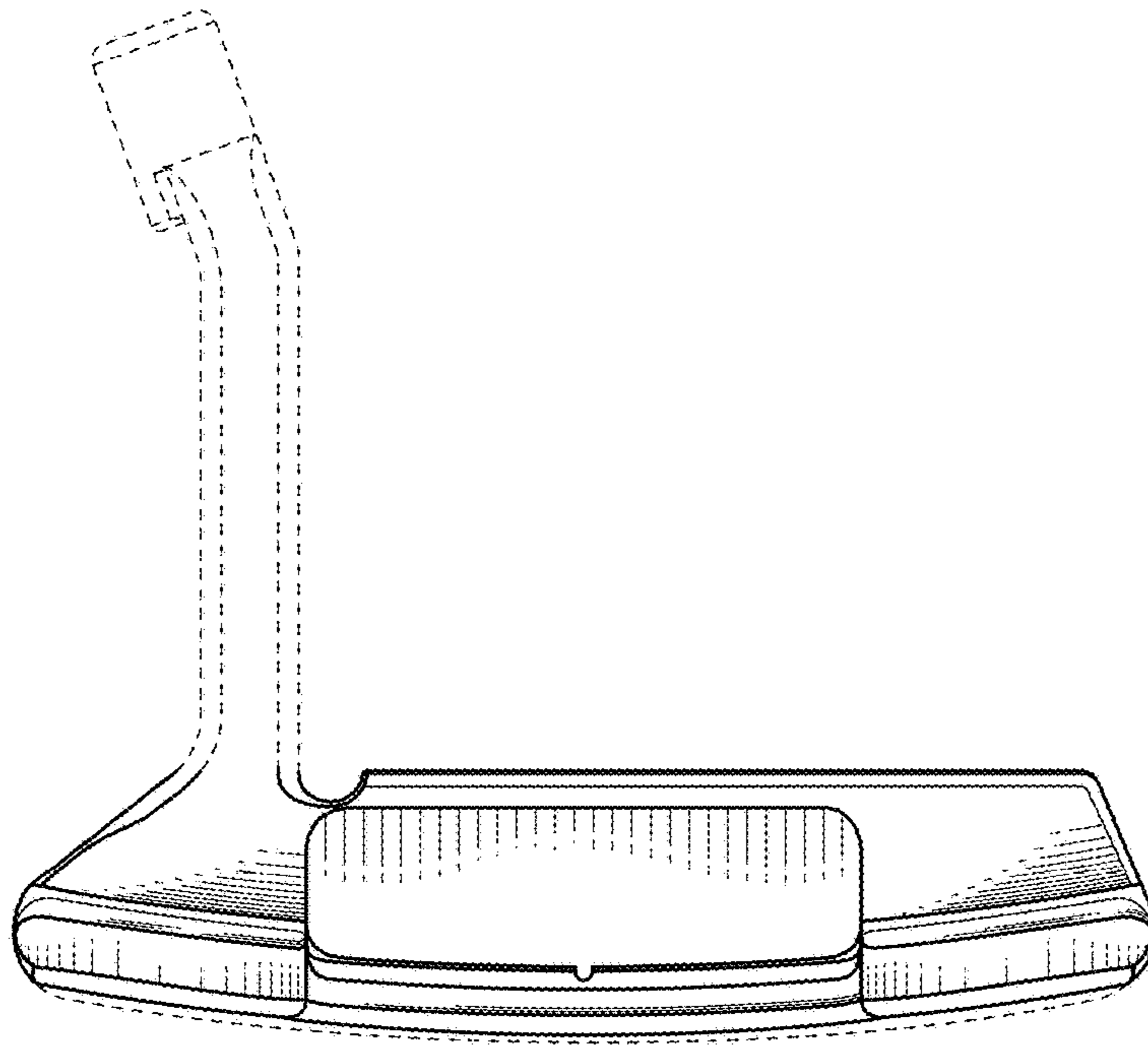


FIG. 2

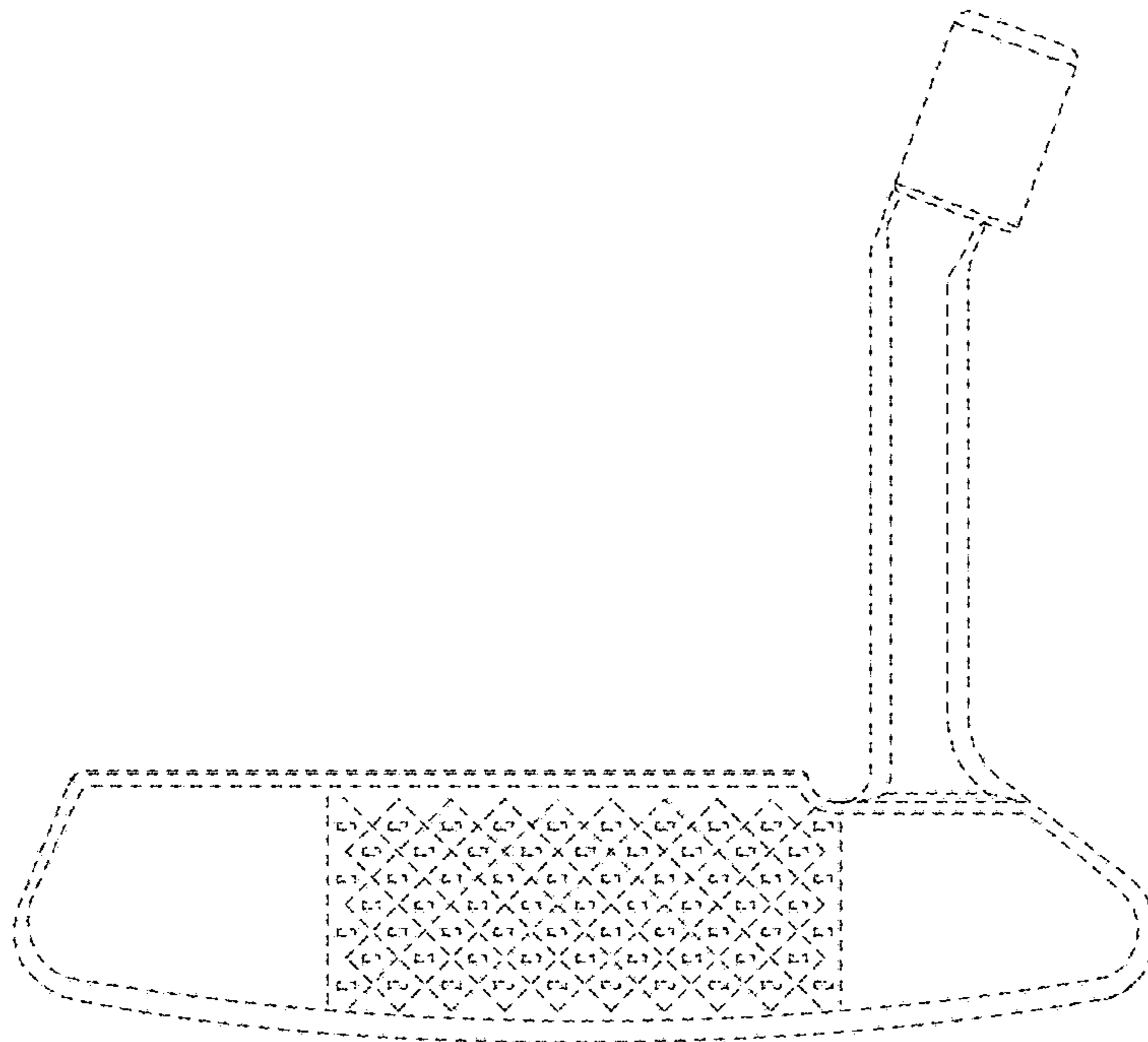


FIG. 3

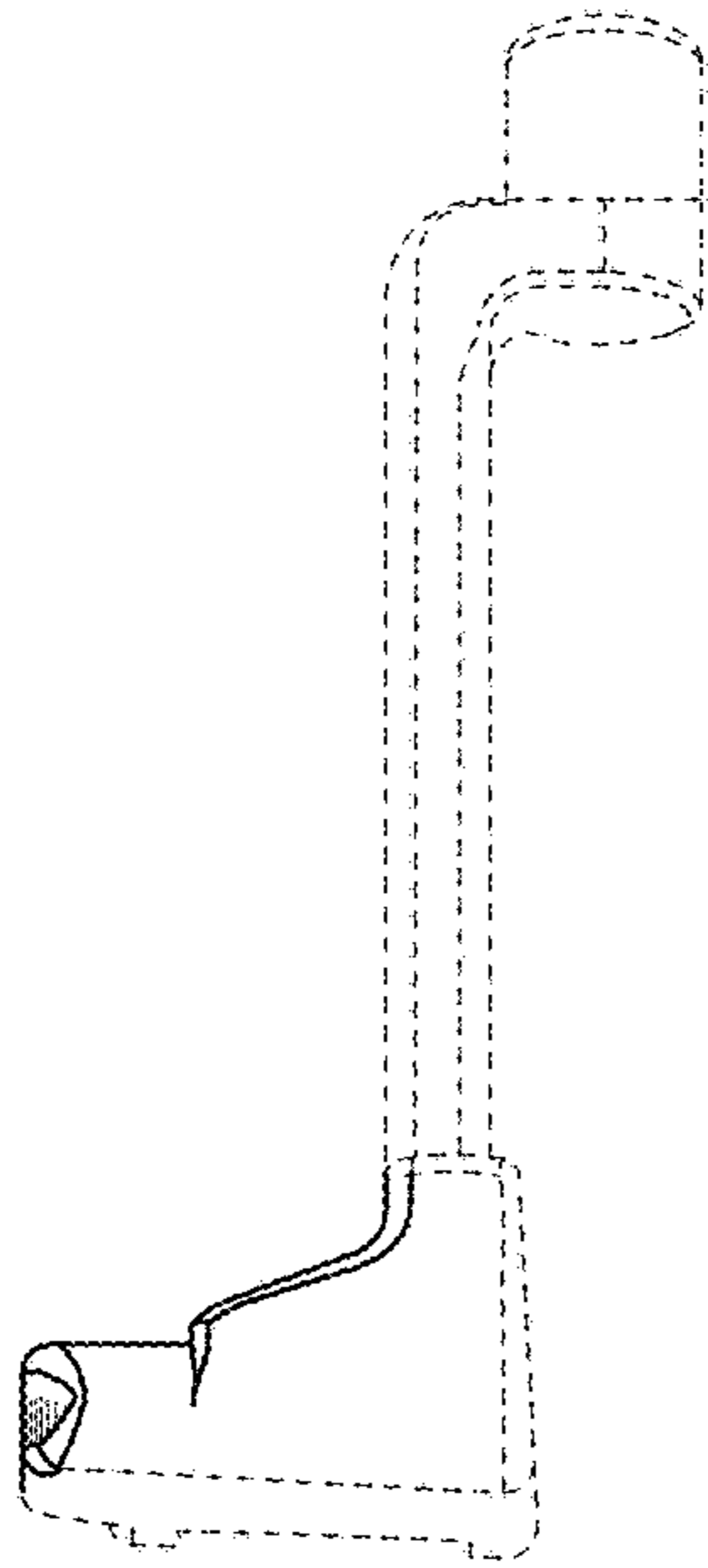


FIG. 4

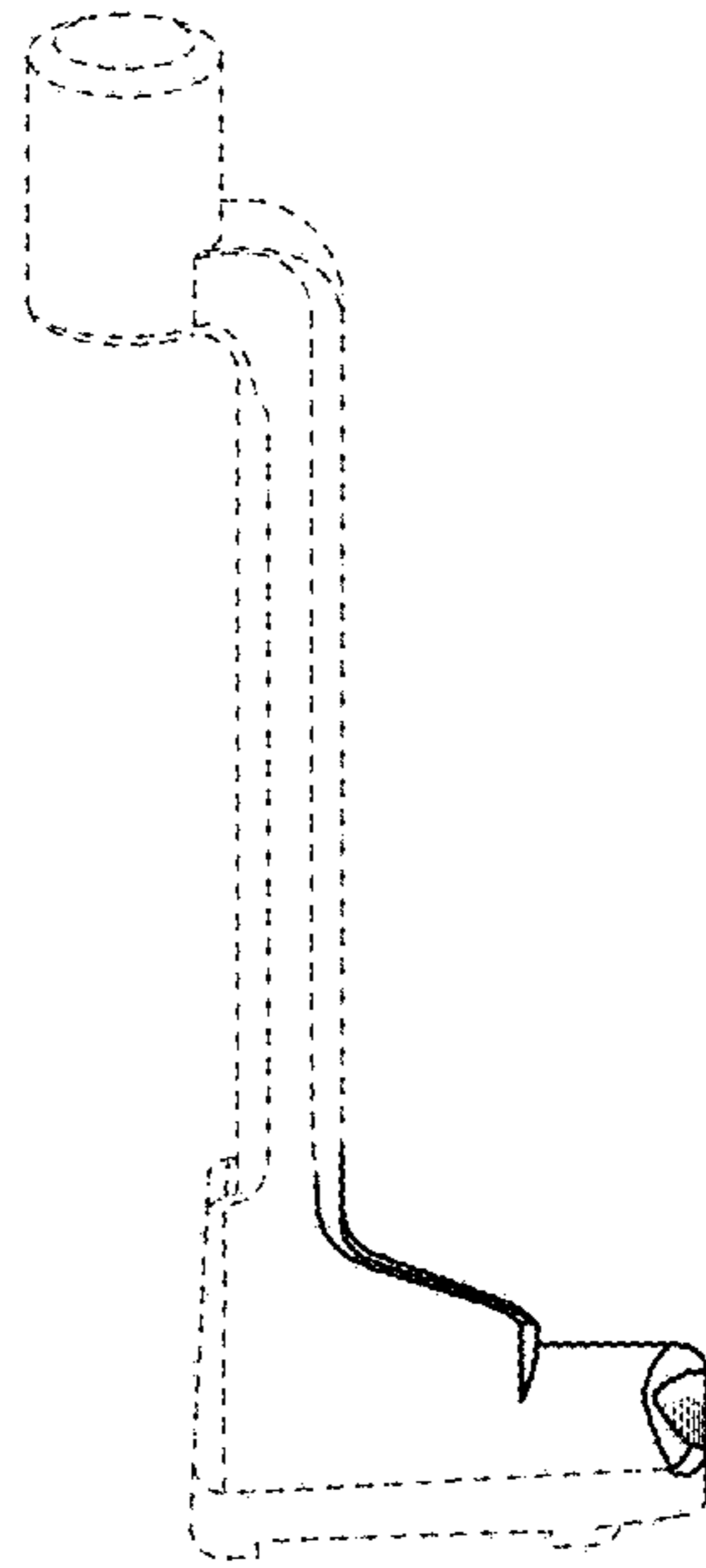


FIG. 5

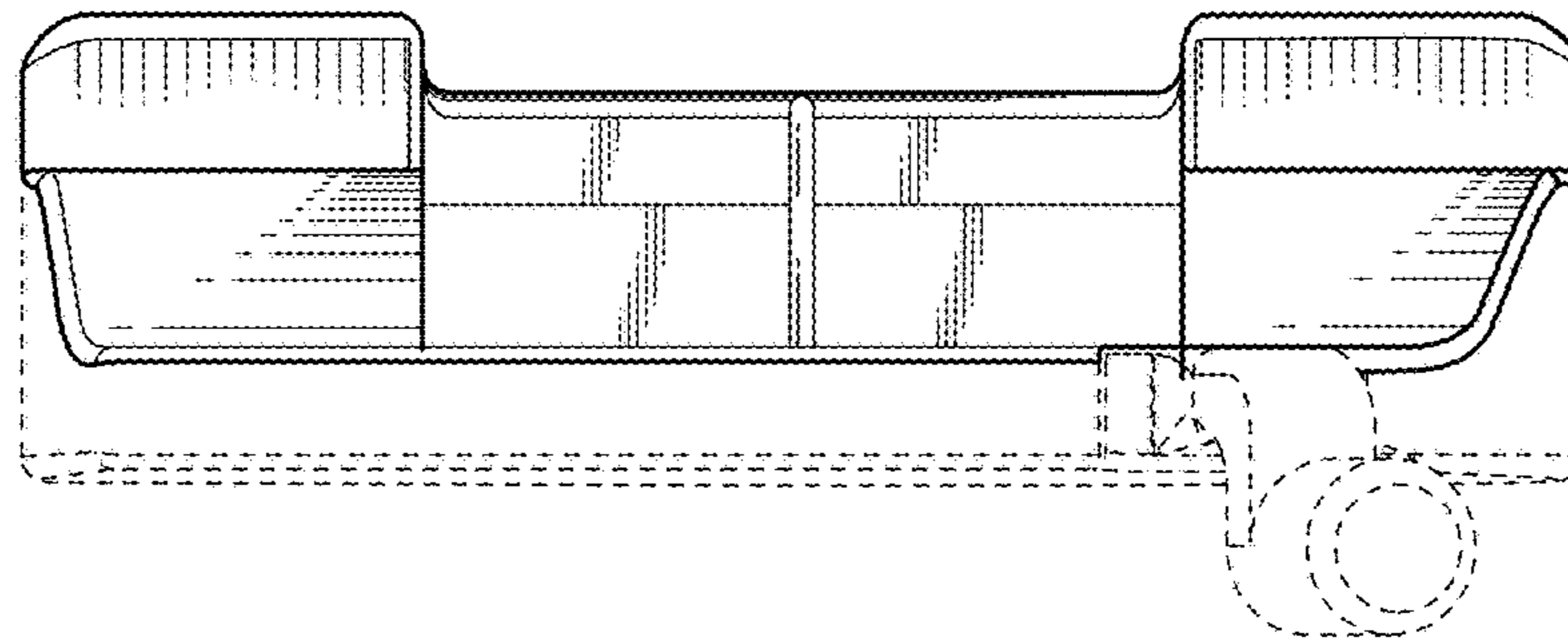


FIG. 6

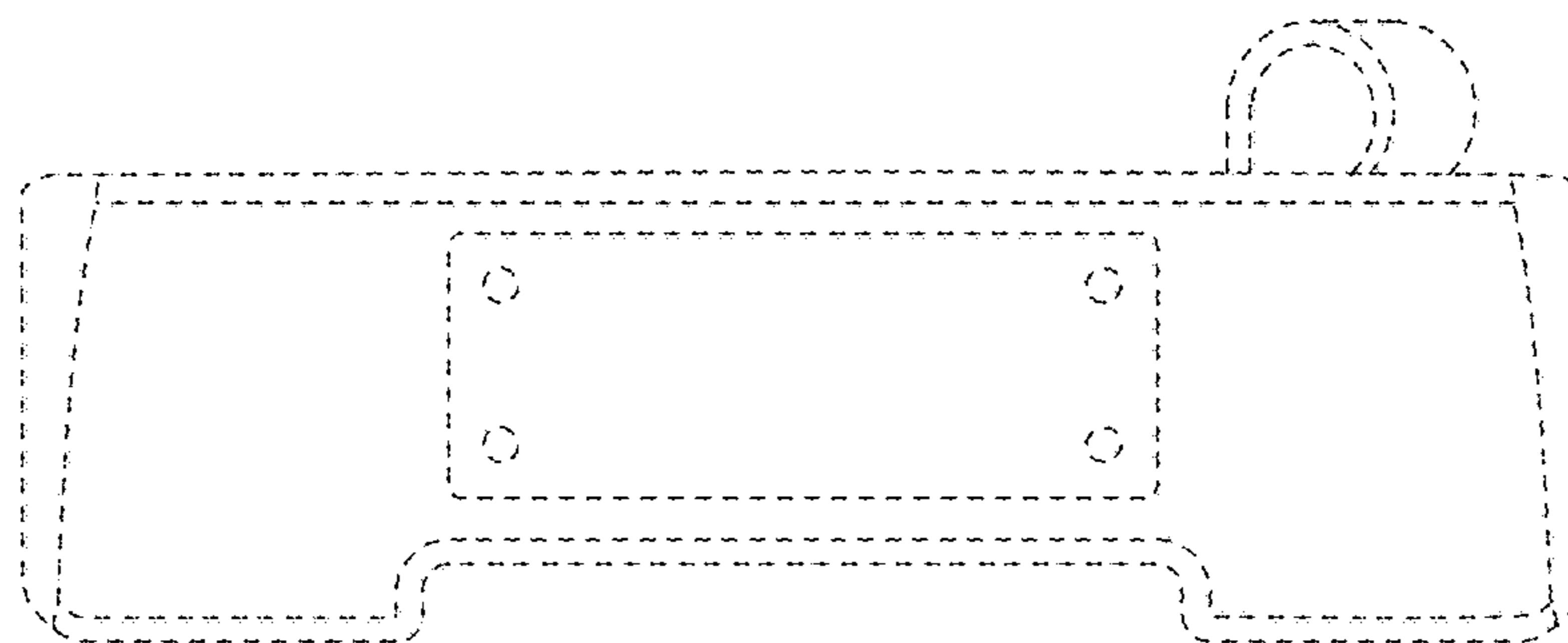


FIG. 7