



US00D817425S

(12) **United States Design Patent** (10) **Patent No.:** **US D817,425 S**
Toulon (45) **Date of Patent:** **** May 8, 2018**

(54) **PUTTER HEAD**

(71) Applicant: **Callaway Golf Company**, Carlsbad, CA (US)

(72) Inventor: **Sean Toulon**, Vista, CA (US)

(73) Assignee: **Callaway Golf Company**, Carlsbad, CA (US)

(**) Term: **15 Years**

(21) Appl. No.: **29/600,179**

(22) Filed: **Apr. 10, 2017**

(51) **LOC (11) Cl.** **21-02**

(52) **U.S. Cl.**
USPC **D21/759**

(58) **Field of Classification Search**
USPC D21/736-746, 759
CPC A63B 53/00; A63B 53/04; A63B 53/007;
A63B 53/065; A63B 53/0487; A63B
60/00; A63B 60/46

See application file for complete search history.

(56) **References Cited**

U.S. PATENT DOCUMENTS

D207,227 S *	3/1967	Solheim	D21/739
D239,951 S *	5/1976	Carrier	D21/742
D346,002 S *	4/1994	Collins	D21/744
D438,272 S *	2/2001	Moore	D21/736
D443,320 S *	6/2001	Breier	D21/743
D482,088 S *	11/2003	DeLaCruz	D21/743
D483,823 S *	12/2003	Swist	D21/736
D498,276 S *	11/2004	Schweigert	D21/743
D559,930 S *	1/2008	Cameron	D21/746

D574,909 S *	8/2008	Jones	D21/743
D588,658 S *	3/2009	De La Cruz	D21/746
D599,423 S *	9/2009	Serrano	D21/736
D629,856 S *	12/2010	Parkinson	D21/743
D633,964 S *	3/2011	Teramoto	D21/743
D638,892 S *	5/2011	Hettinger	D21/743
D655,361 S *	3/2012	Ramsauer	D21/743
D688,339 S *	8/2013	Hilton	D21/736
D689,574 S *	9/2013	Rollinson	D21/743
D702,782 S *	4/2014	Wempe	D21/743
D763,373 S *	8/2016	Cardani	D21/736
2007/0135232 A1 *	6/2007	Billings	A63B 53/0487 473/340

* cited by examiner

Primary Examiner — Mitchell I. Siegel

(74) *Attorney, Agent, or Firm* — Rebecca Hanovice;
Michael Catania; Sonia Lari

(57) **CLAIM**

The ornamental design for a putter head, as shown and described.

DESCRIPTION

FIG. 1 is a rear perspective view of the putter head claimed herein;

FIG. 2 is a rear elevational view thereof;

FIG. 3 is a front elevational view thereof;

FIG. 4 is a left side elevational view thereof;

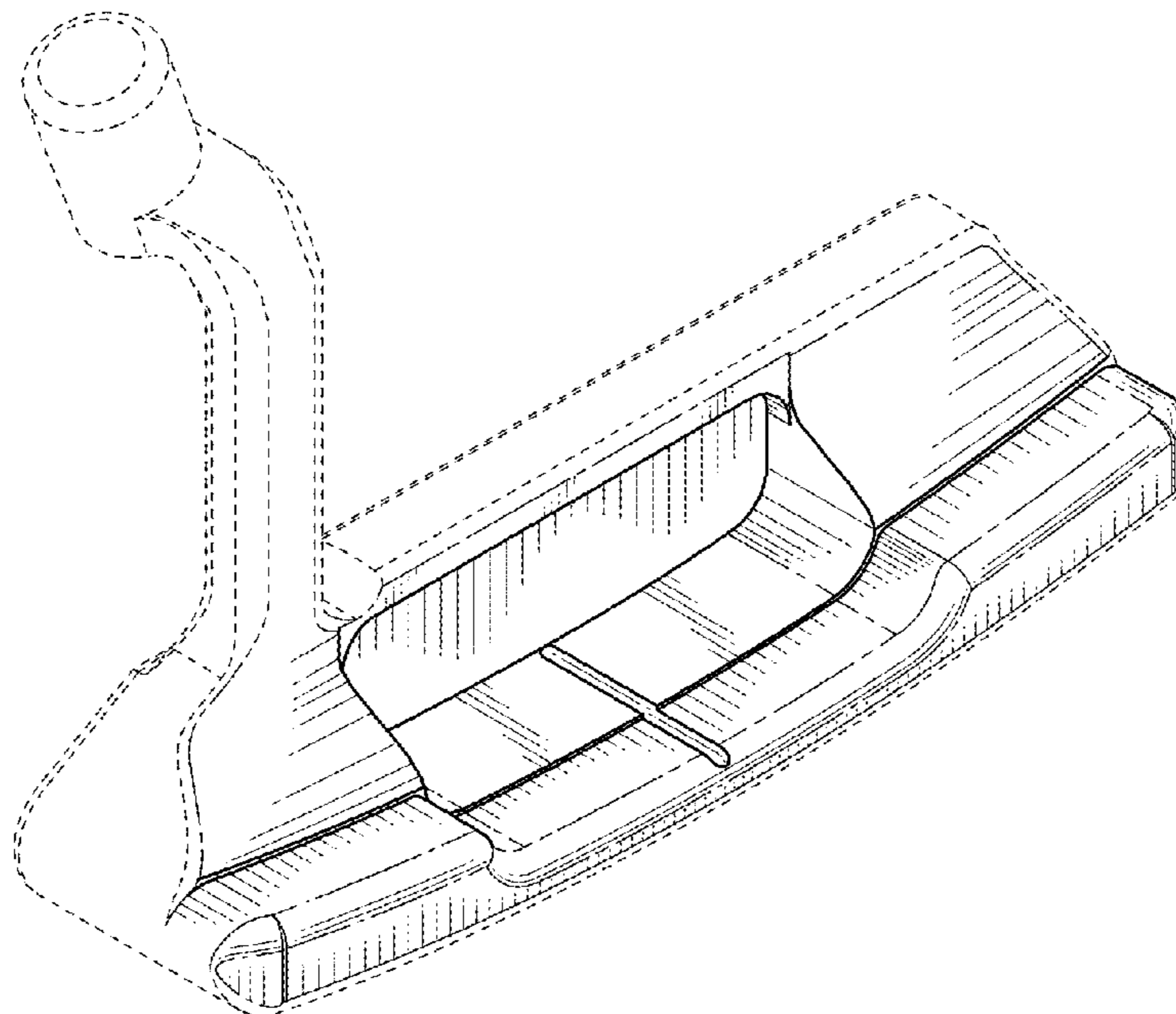
FIG. 5 is a right side elevational view thereof;

FIG. 6 is a top plan view thereof; and,

FIG. 7 is a bottom plan view thereof.

The broken lines are included for the purpose of illustration and form no part of the claimed design.

1 Claim, 4 Drawing Sheets



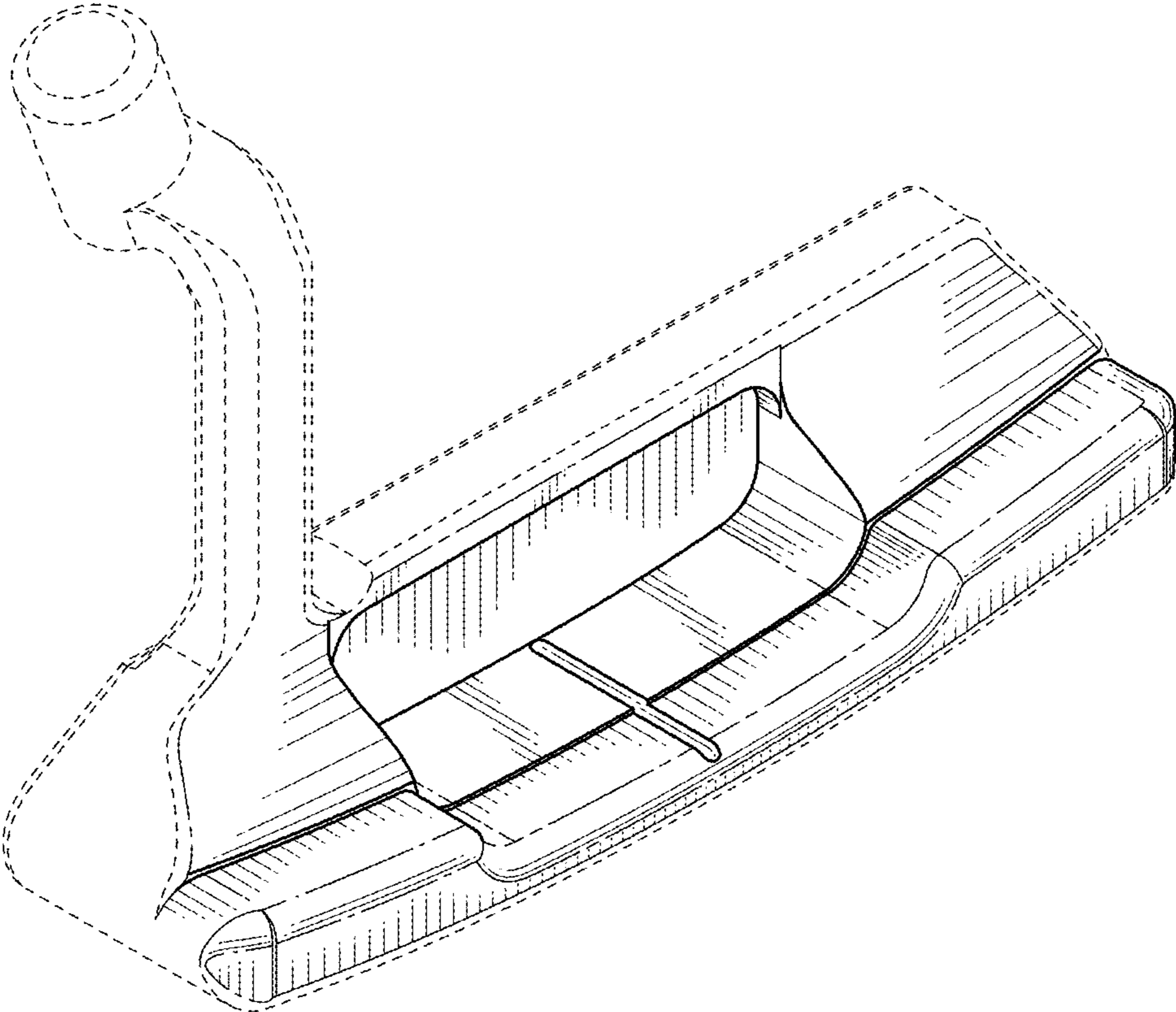


FIG. 1

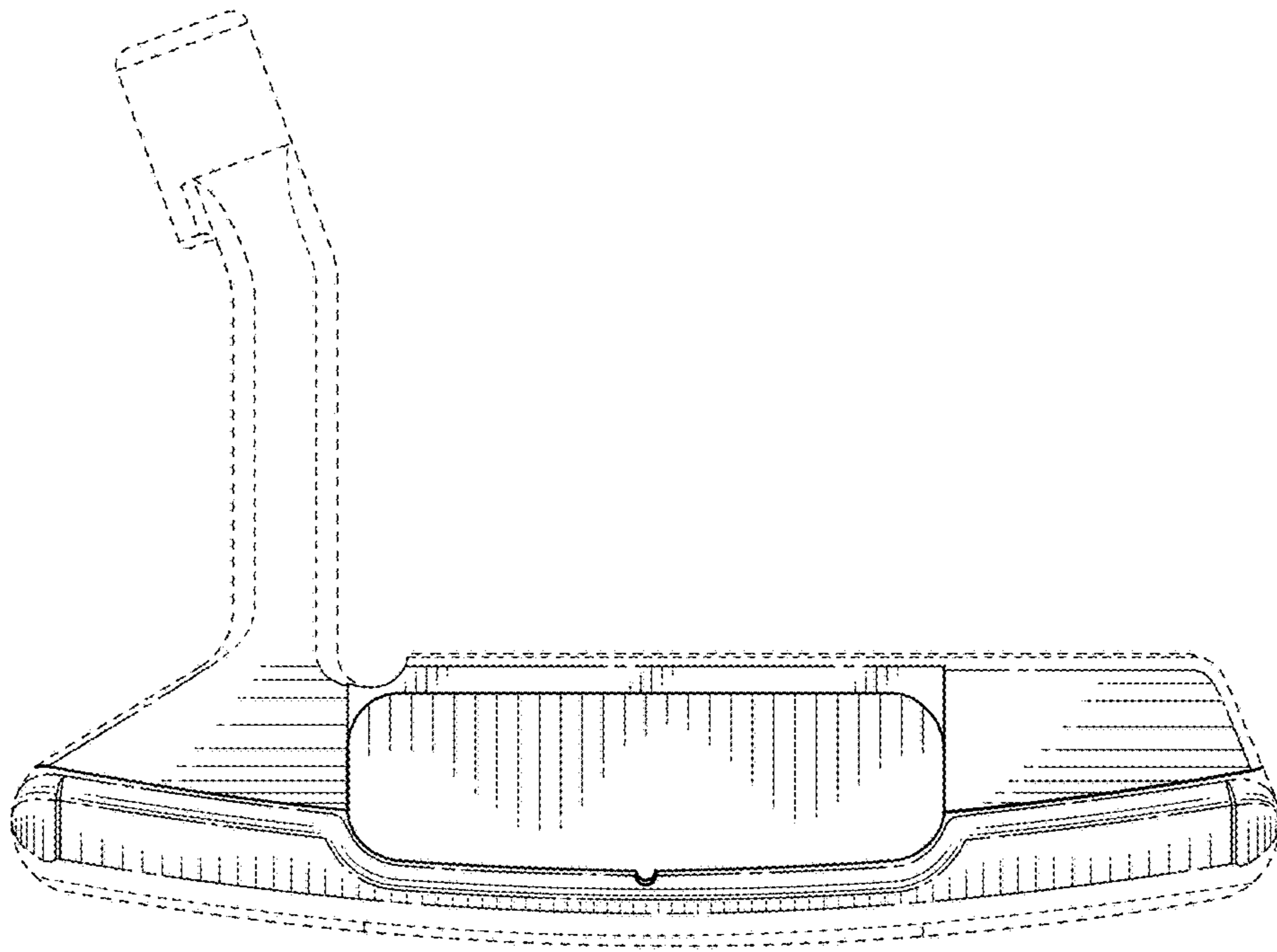


FIG. 2

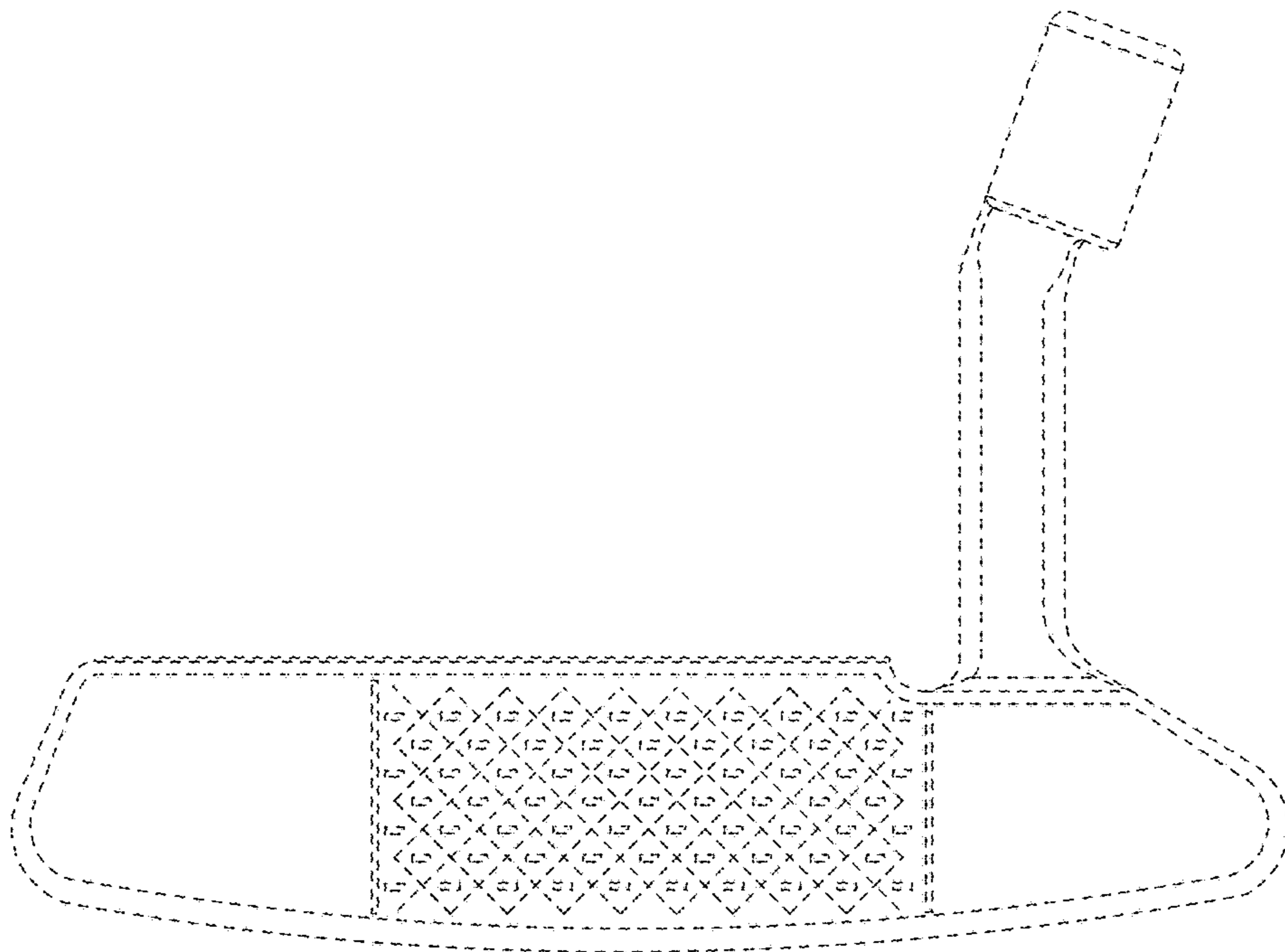


FIG. 3

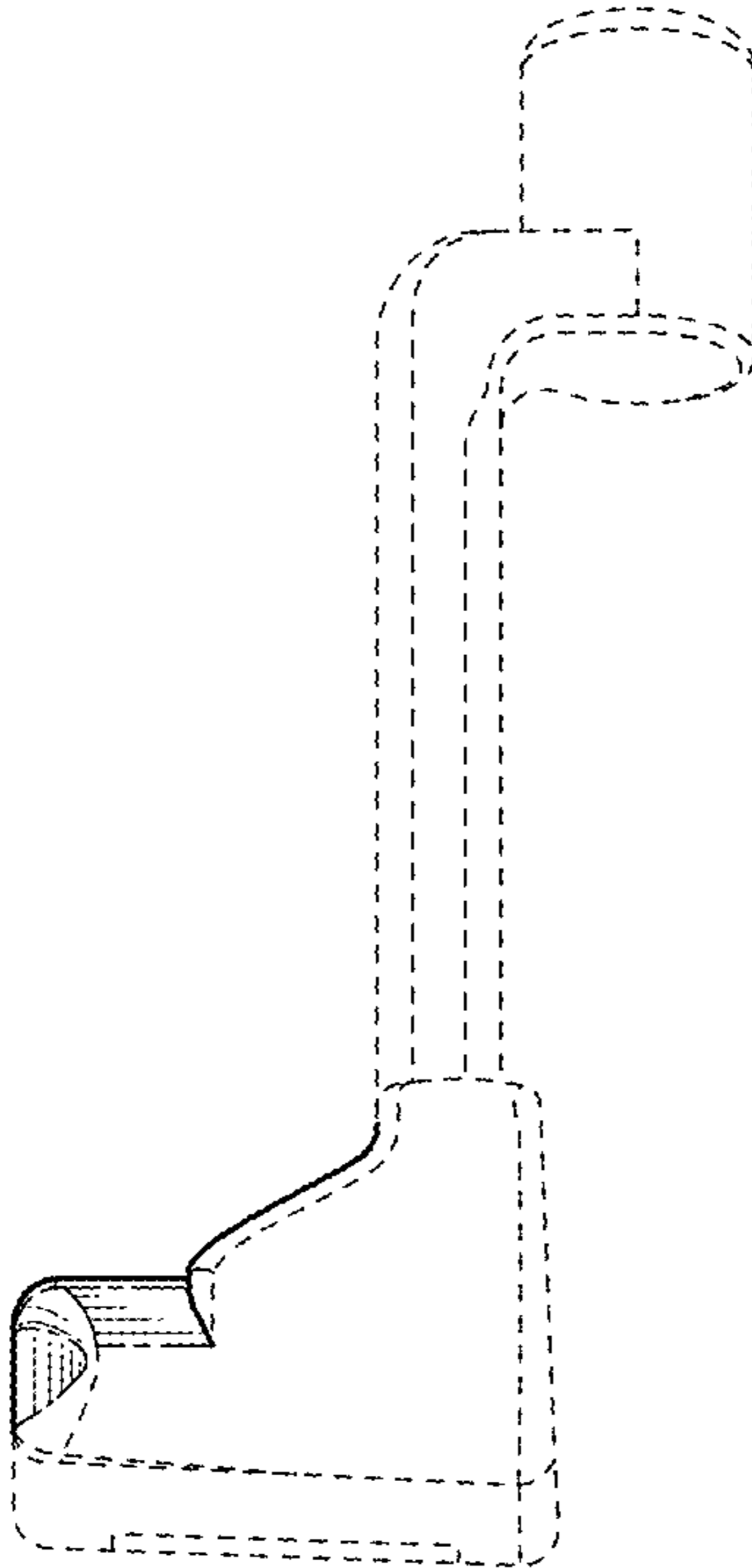


FIG. 4

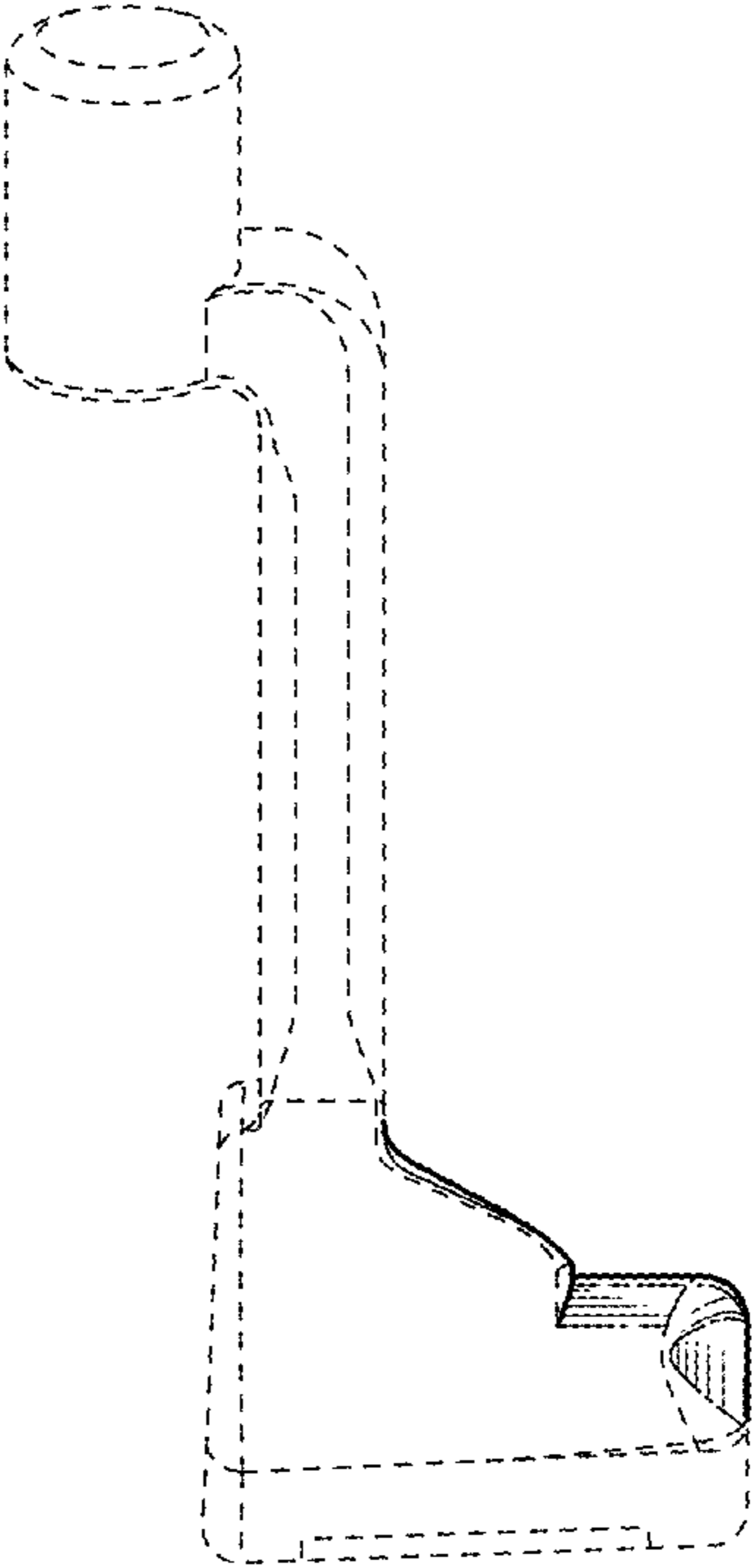


FIG. 5

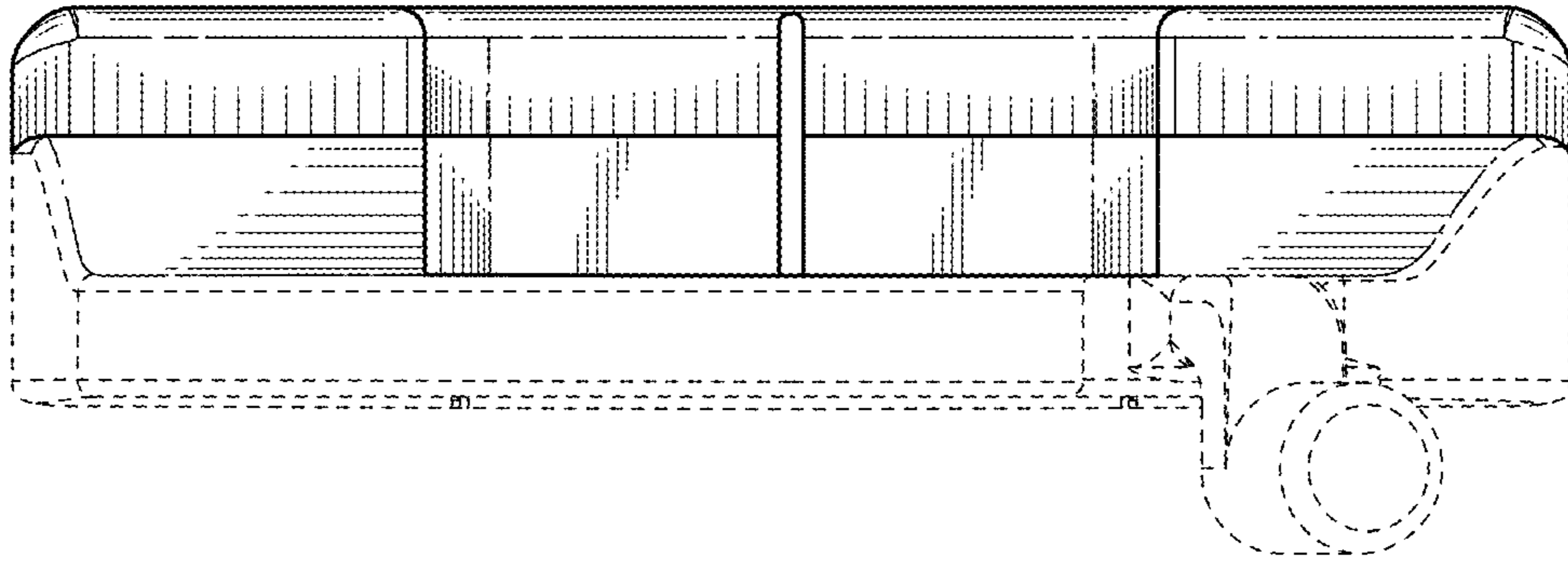


FIG. 6

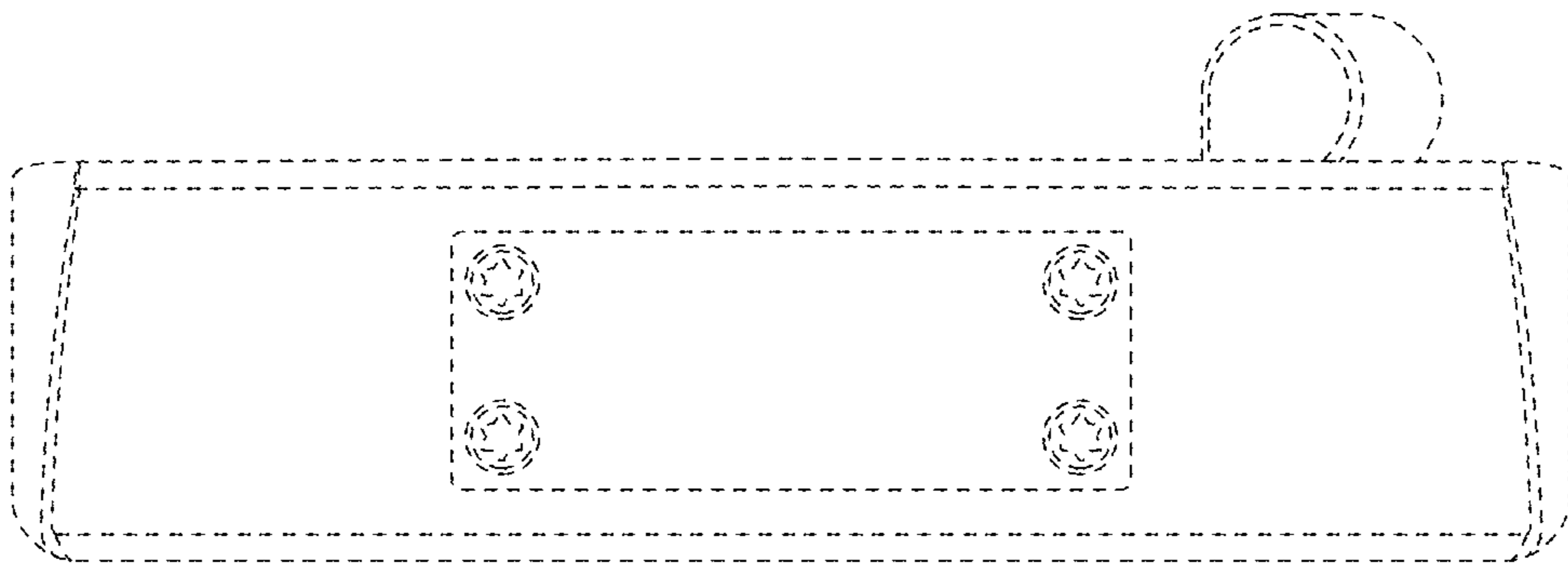


FIG. 7