



US00D817424S

(12) **United States Design Patent** (10) **Patent No.:** **US D817,424 S**
Toulon (45) **Date of Patent:** **** May 8, 2018**

(54) **PUTTER HEAD**
(71) Applicant: **Callaway Golf Company**, Carlsbad, CA (US)
(72) Inventor: **Sean Toulon**, Vista, CA (US)
(73) Assignee: **Callaway Golf Company**, Carlsbad, CA (US)
(**) Term: **15 Years**
(21) Appl. No.: **29/600,178**
(22) Filed: **Apr. 10, 2017**
(51) **LOC (11) Cl.** **21-02**
(52) **U.S. Cl.**
USPC **D21/759**
(58) **Field of Classification Search**
USPC D21/736-746, 759
CPC A63B 53/00; A63B 53/04; A63B 53/007;
A63B 53/065; A63B 53/0487; A63B
60/00; A63B 60/46
See application file for complete search history.

D583,886 S * 12/2008 Cameron D21/743
D583,887 S * 12/2008 Cameron D21/743
D585,511 S * 1/2009 Cameron D21/743
D588,657 S * 3/2009 Hettinger D21/744
D590,462 S * 4/2009 Hettinger D21/743
D629,856 S * 12/2010 Parkinson D21/743
D638,892 S * 5/2011 Hettinger D21/743
D643,893 S * 8/2011 Rollinson D21/742
D648,407 S * 11/2011 Teramoto D21/743
D650,456 S * 12/2011 Tang D21/743
D684,643 S * 6/2013 Kim D21/744
D691,225 S * 10/2013 Hilton D21/736
D733,817 S * 7/2015 Jorgensen D21/736
D733,818 S * 7/2015 Jorgensen D21/736
D769,383 S * 10/2016 Abbott D21/743
D796,597 S * 9/2017 Serrano D21/736
2012/0252594 A1* 10/2012 Solheim A63B 53/007
473/251

* cited by examiner

Primary Examiner — Mitchell I. Siegel
(74) *Attorney, Agent, or Firm* — Rebecca Hanovice;
Michael Catania; Sonia Lari

(57) **CLAIM**

The ornamental design for a putter head, as shown and described.

DESCRIPTION

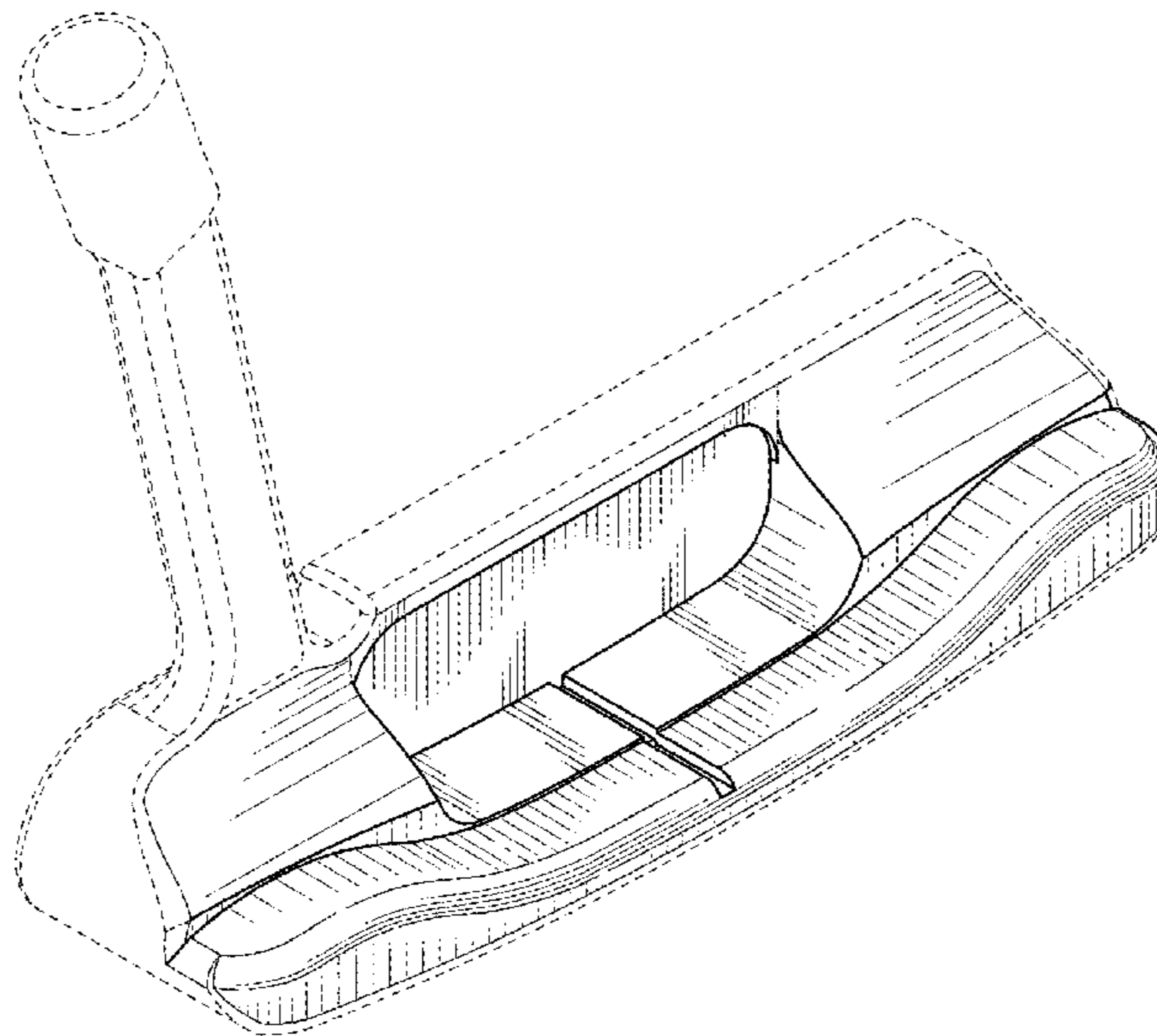
FIG. 1 is a rear perspective view of the putter head claimed herein;
FIG. 2 is a rear elevational view thereof;
FIG. 3 is a front elevational view thereof;
FIG. 4 is a left side elevational view thereof;
FIG. 5 is a right side elevational view thereof;
FIG. 6 is a top plan view thereof; and,
FIG. 7 is a bottom plan view thereof.
The broken lines are included for the purpose of illustration and form no part of the claimed design.

1 Claim, 4 Drawing Sheets

(56) **References Cited**

U.S. PATENT DOCUMENTS

D207,227 S * 3/1967 Solheim D21/739
D239,951 S * 5/1976 Carrier D21/742
D389,207 S * 1/1998 Cameron D21/742
D426,599 S * 6/2000 Morgan D21/736
D443,906 S * 6/2001 Hettinger D21/743
D449,085 S * 10/2001 Breier D21/744
D485,320 S * 1/2004 Breier D21/736
D498,276 S * 11/2004 Schweigert D21/743
D521,580 S * 5/2006 Burrows D21/736
D535,712 S * 1/2007 Toroussian D21/749
D548,294 S * 8/2007 Nguyen D21/736
D552,196 S * 10/2007 Hueber D21/742
D562,921 S * 2/2008 Nguyen D21/742
D577,085 S * 9/2008 Nicolette D21/743



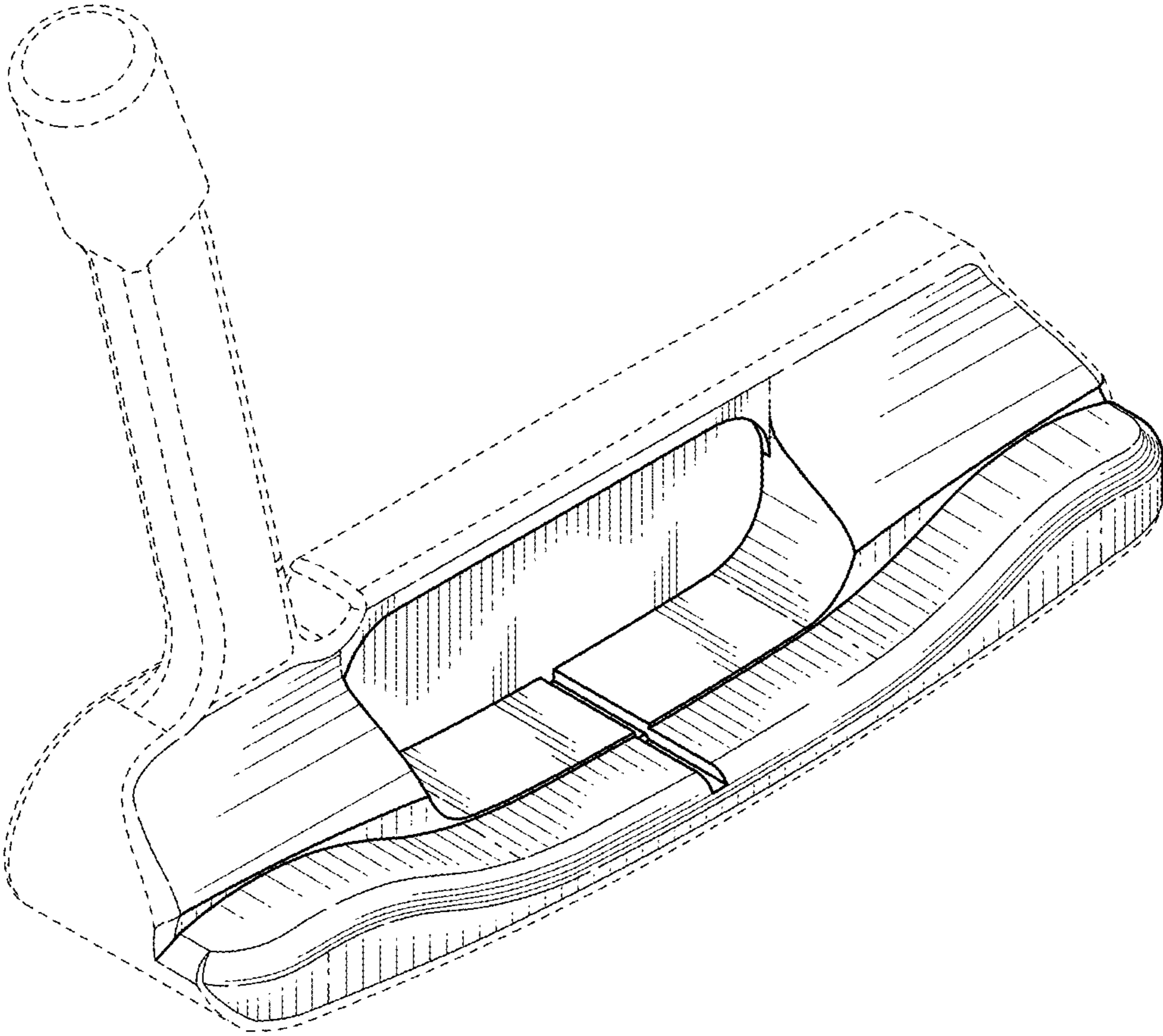


FIG. 1

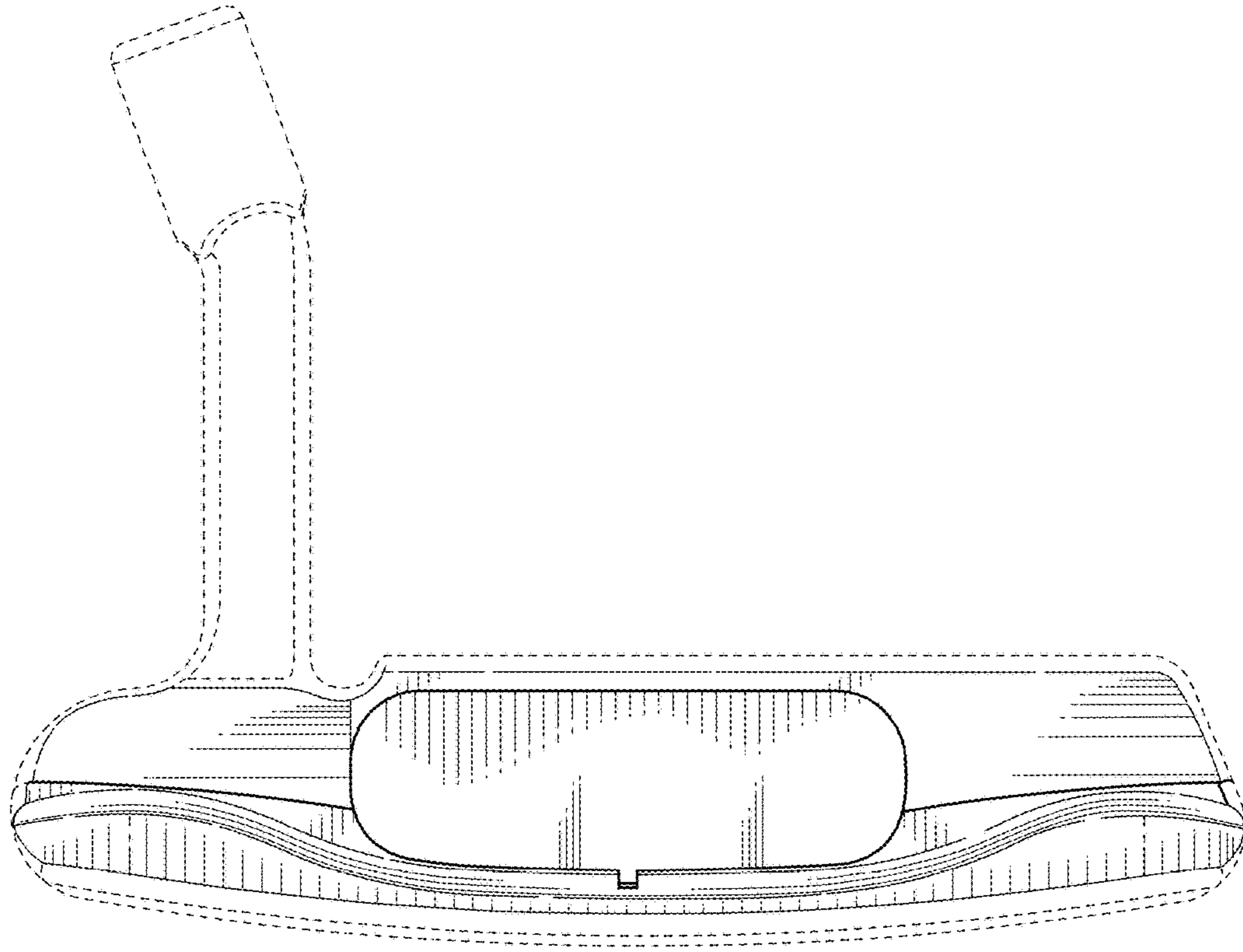


FIG. 2

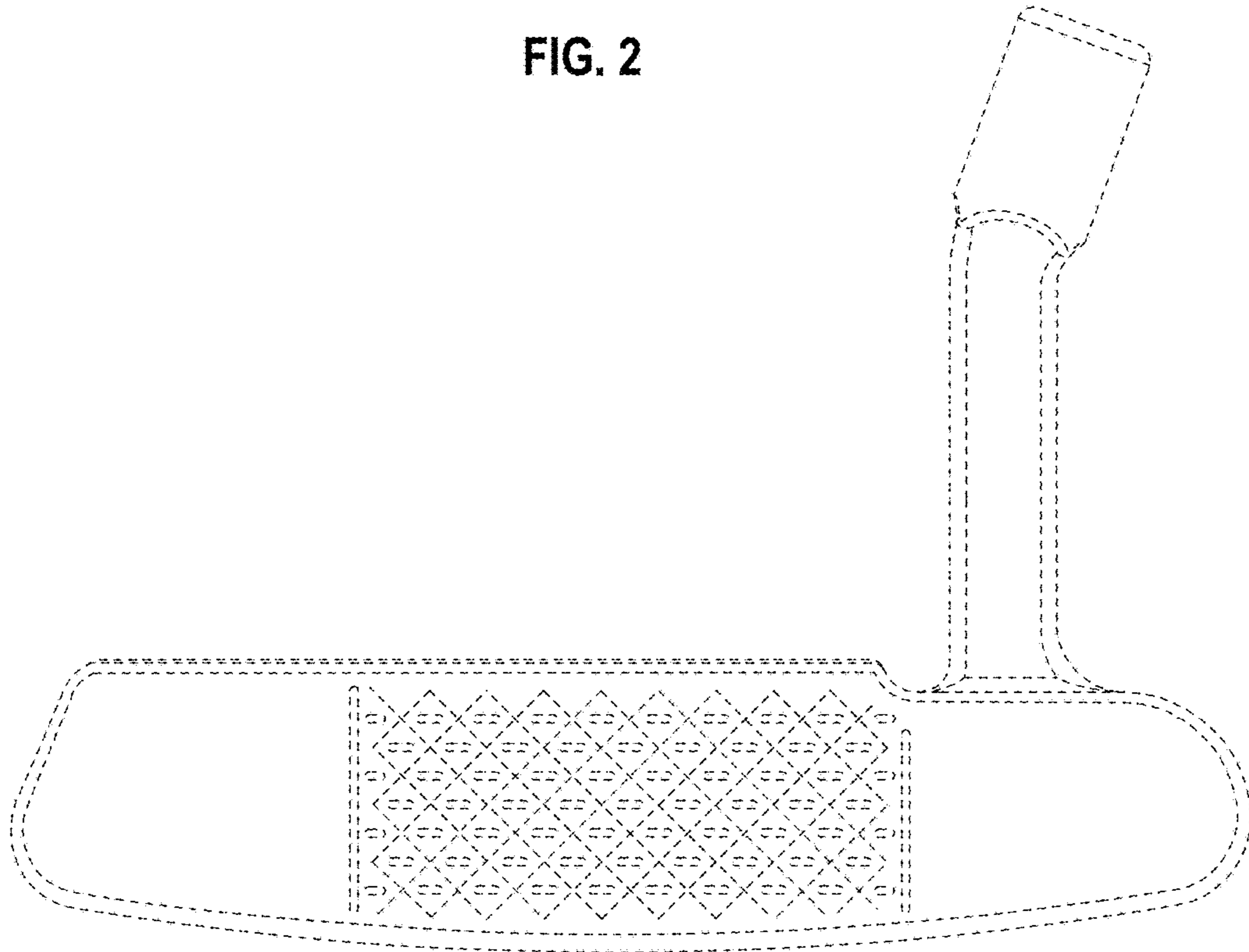


FIG. 3

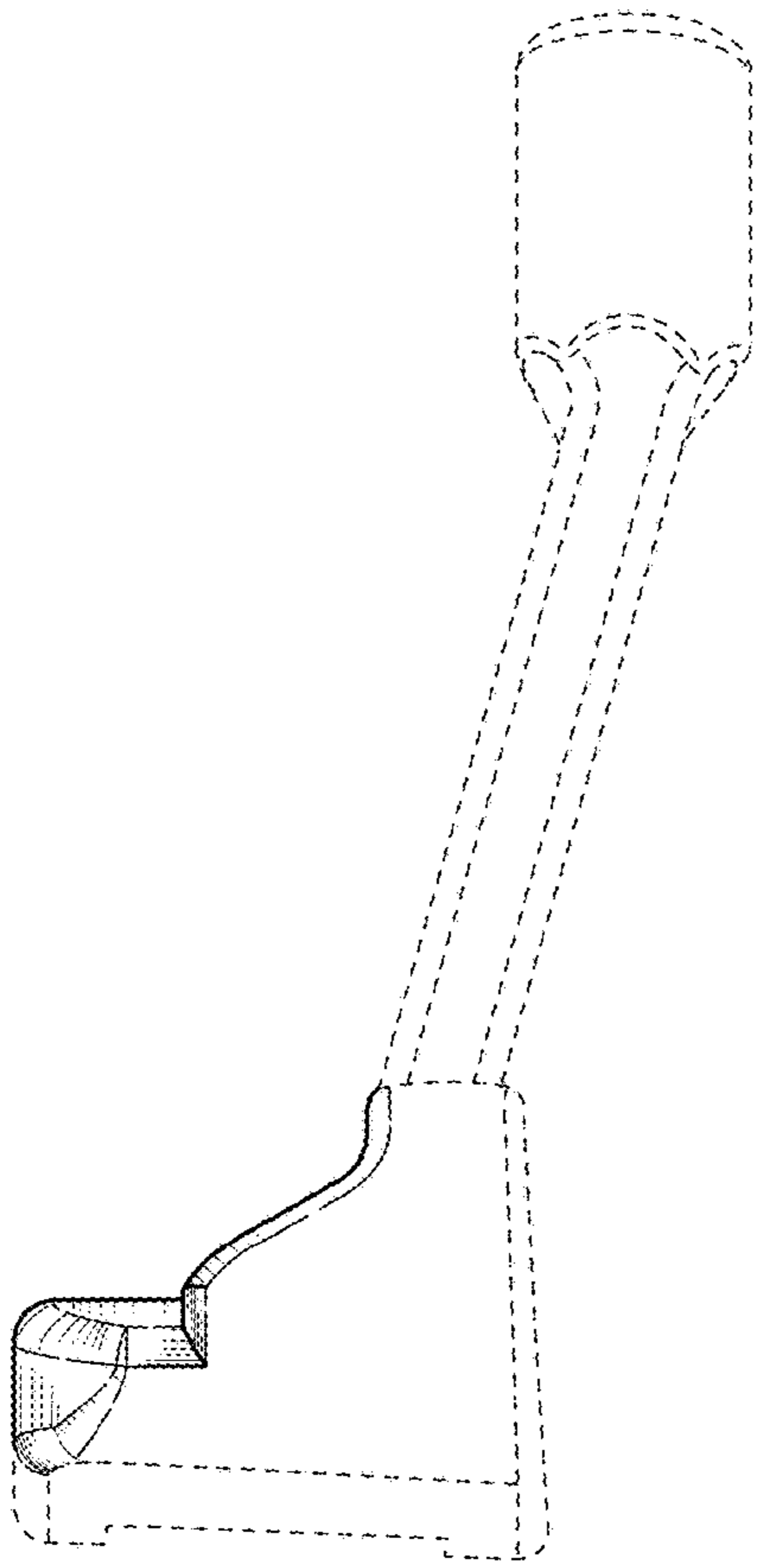


FIG. 4

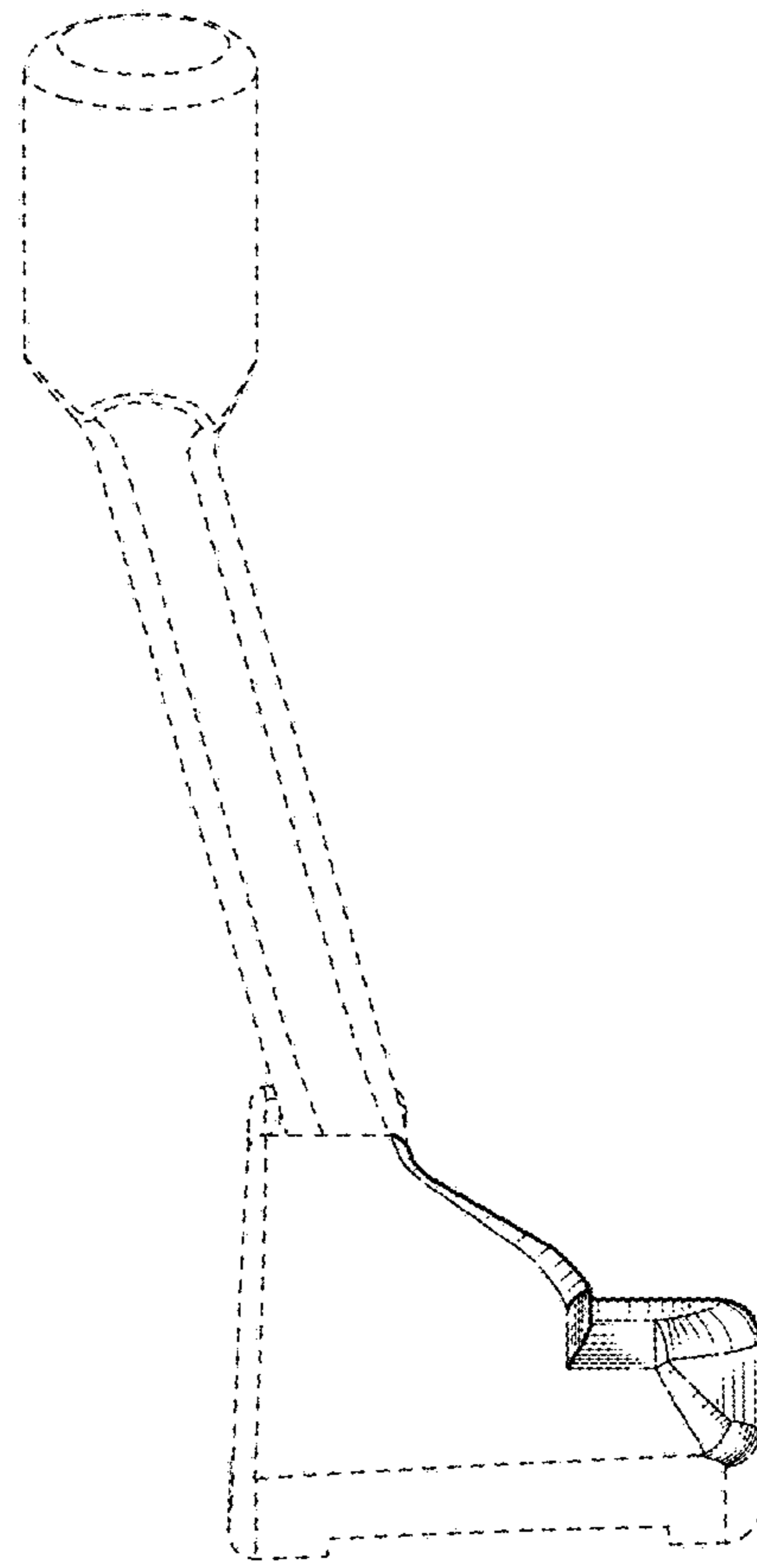


FIG. 5

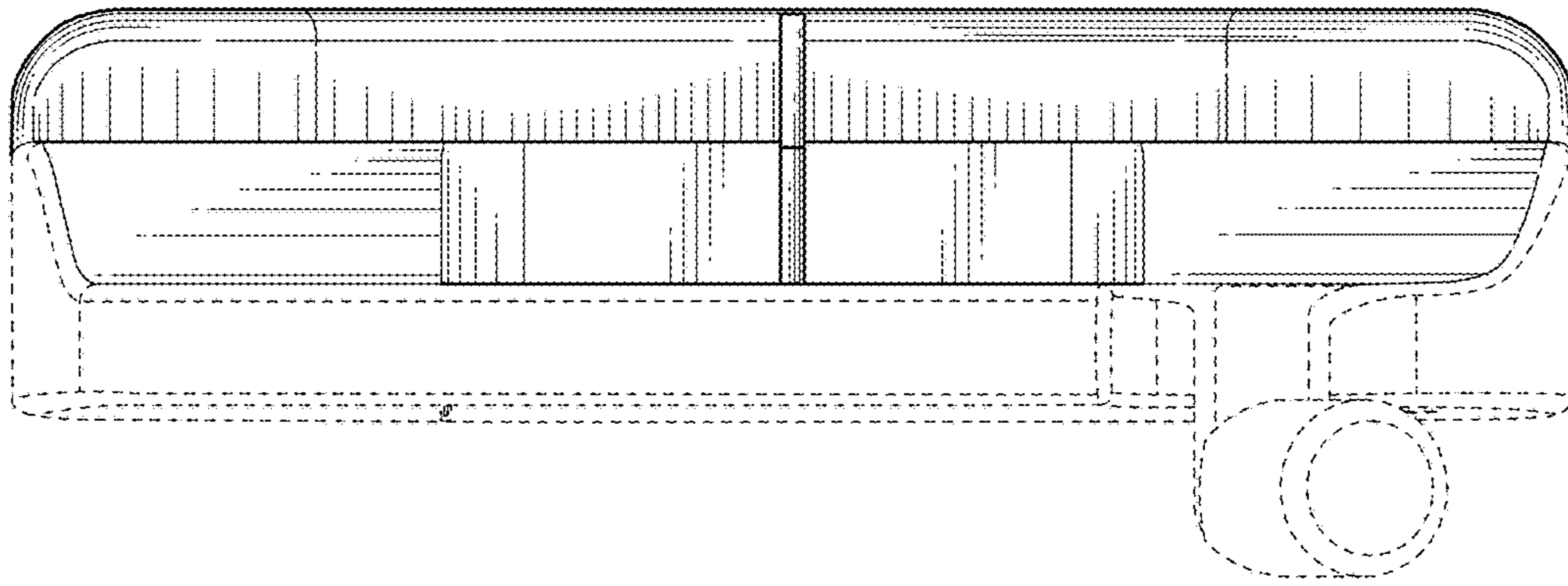


FIG. 6

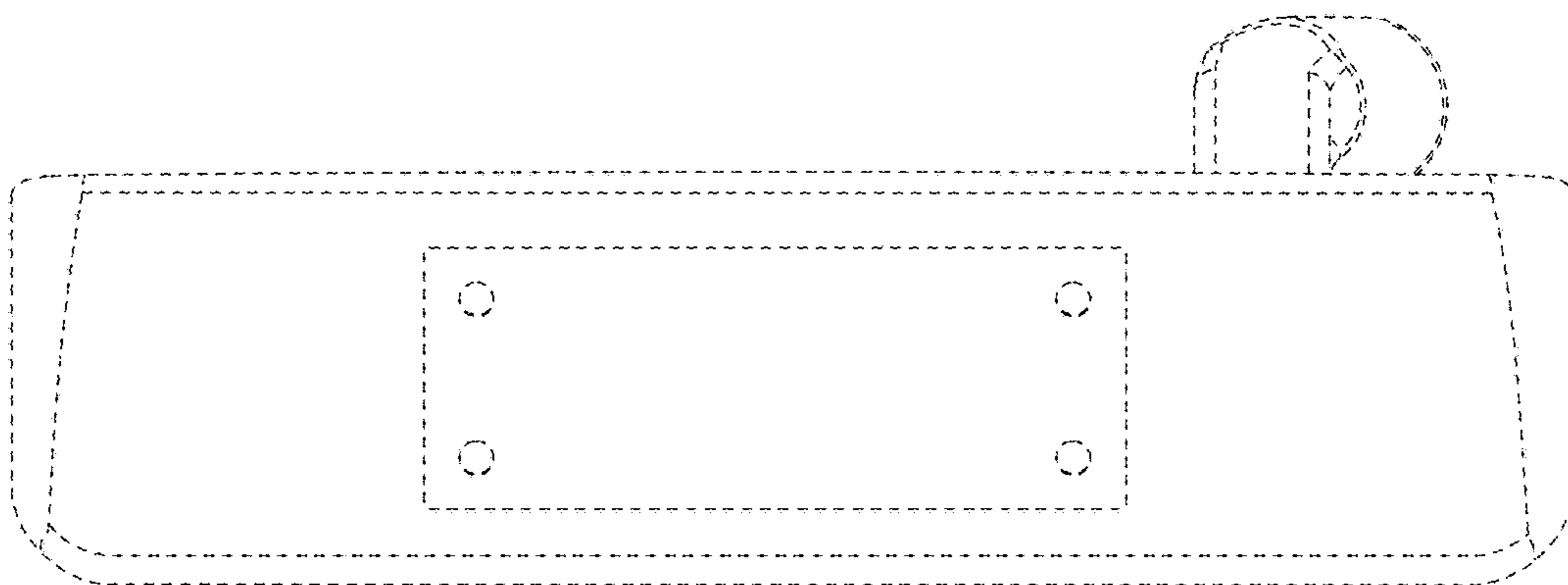


FIG. 7