



US00D817423S

(12) **United States Design Patent** (10) **Patent No.:** **US D817,423 S**
Toulon et al. (45) **Date of Patent:** **** May 8, 2018**

- (54) **GOLF CLUB HOSEL**
- (71) Applicant: **Callaway Golf Company**, Carlsbad, CA (US)
- (72) Inventors: **Sean Toulon**, Vista, CA (US); **Joseph Edward Toulon**, San Marcos, CA (US)
- (73) Assignee: **Callaway Golf Company**, Carlsbad, CA (US)
- (**) Term: **15 Years**
- (21) Appl. No.: **29/600,167**
- (22) Filed: **Apr. 10, 2017**
- (51) **LOC (11) Cl.** **21-02**
- (52) **U.S. Cl.**
USPC **D21/759**
- (58) **Field of Classification Search**
USPC D21/733-752, 759
CPC A63B 53/00; A63B 53/04; A63B 53/007;
A63B 53/065; A63B 53/0487; A63B
60/00; A63B 60/46
See application file for complete search history.

D335,318 S *	5/1993	Shearer	D21/742
5,255,919 A *	10/1993	Johnson	A63B 53/0487 473/313
5,292,128 A *	3/1994	Solheim	A63B 53/02 473/313
D355,687 S *	2/1995	Morrow	D21/744
D365,864 S *	1/1996	Sturm	D21/746
D367,905 S *	3/1996	Kanazawa	D21/742
D380,245 S *	6/1997	Meyer	D21/743
D381,728 S *	7/1997	Cameron	D21/759
D388,488 S *	12/1997	Cameron	D21/759
D394,689 S *	5/1998	Sheets	D21/743
D396,081 S *	7/1998	Sheets	D21/742
D396,082 S *	7/1998	Sheets	D21/742
D396,083 S *	7/1998	Sheets	D21/742
D396,258 S *	7/1998	Sheets	D21/742
D410,982 S *	6/1999	Solheim	D21/759
D422,660 S *	4/2000	Grace	D21/759
D428,086 S *	7/2000	Solheim	D21/743

(Continued)

Primary Examiner — Mitchell I. Siegel
(74) *Attorney, Agent, or Firm* — Rebecca Hanovice;
Michael Catania; Sonia Lari

(57) **CLAIM**

The ornamental design for a golf club hosel, as shown and described.

DESCRIPTION

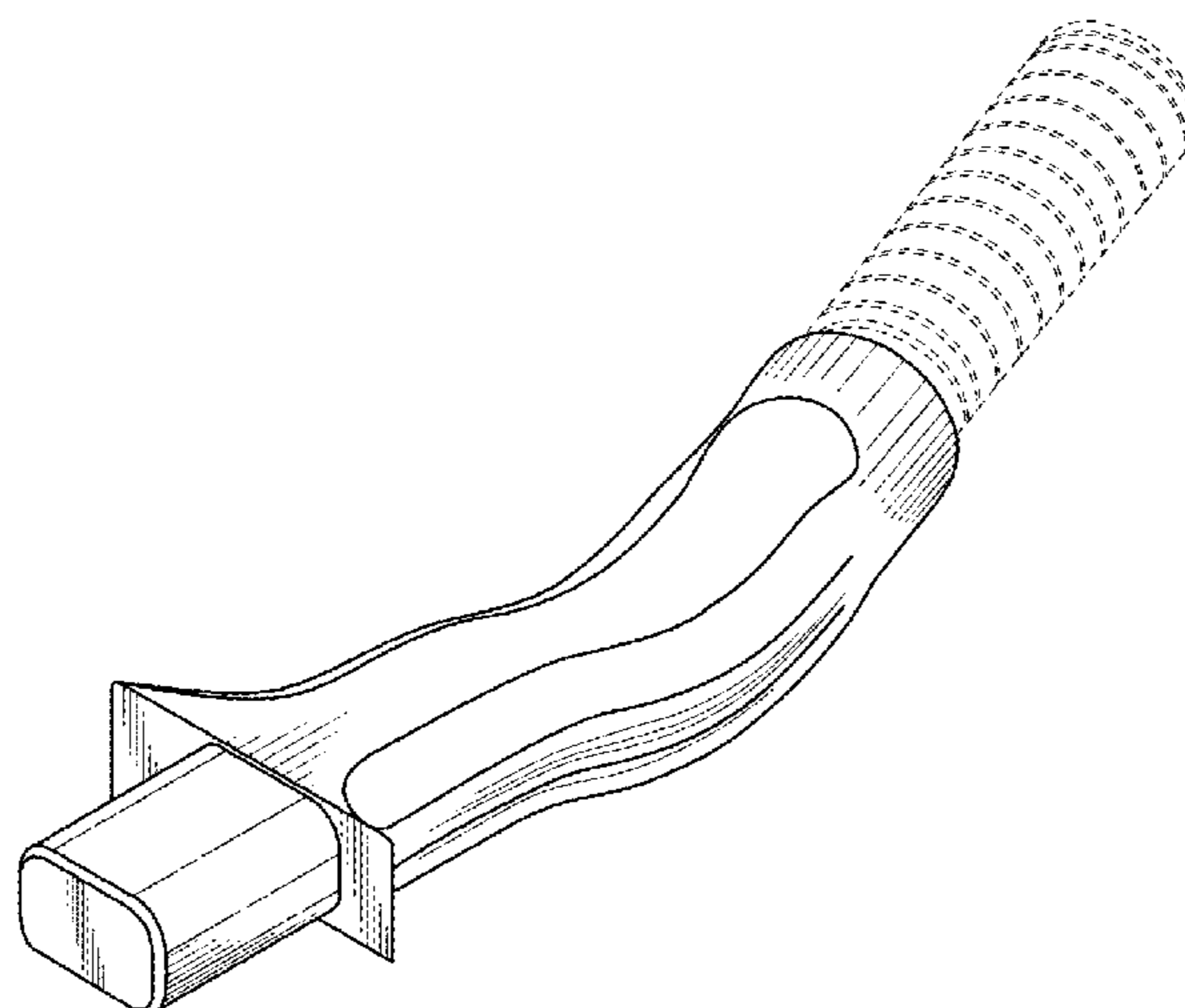
FIG. 1 is a side perspective view of the golf club hosel claimed herein;
FIG. 2 is a front elevational view thereof;
FIG. 3 is a rear elevational view thereof;
FIG. 4 is a left side elevational view thereof;
FIG. 5 is a right side elevational view thereof;
FIG. 6 is a top elevational view thereof; and,
FIG. 7 is a bottom elevational view thereof.
The broken lines are included for the purpose of illustration and form no part of the claimed design.

1 Claim, 4 Drawing Sheets

(56) **References Cited**

U.S. PATENT DOCUMENTS

RE19,178 E *	5/1934	Spiker	A63B 53/0487 473/251
3,819,180 A *	6/1974	Murphy	A63B 53/0487 473/313
D235,568 S *	6/1975	Cooke	D21/739
D236,517 S *	8/1975	Cook	D21/744
D283,039 S *	3/1986	Solheim	D21/743
D297,445 S *	8/1988	Shearer	D21/743
D297,447 S *	8/1988	Shearer	D21/743
4,913,438 A *	4/1990	Anderson	A63B 53/04 473/253
D322,650 S *	12/1991	Shearer	D21/743
D335,317 S *	5/1993	Shearer	D21/740



(56)

References Cited

U.S. PATENT DOCUMENTS

6,083,117 A * 7/2000 Hsu A63B 53/0487
473/332
D431,063 S * 9/2000 Purcell D21/759
D436,151 S * 1/2001 Nicolette D21/759
D438,273 S * 2/2001 Sizemore, Jr. D21/736
D443,668 S * 6/2001 Nicolette D21/759
D464,695 S * 10/2002 Long D21/759
D495,021 S * 8/2004 Gray D21/759
D506,798 S * 6/2005 Burrows D21/759
D536,050 S * 1/2007 Solari D21/759
D591,379 S * 4/2009 De La Cruz D21/759
D591,815 S * 5/2009 De La Cruz D21/759
D635,211 S * 3/2011 Evans D21/759
7,905,792 B1 * 3/2011 Stites A63B 53/04
473/238
D635,628 S * 4/2011 Evans D21/759
D637,675 S * 5/2011 Evans D21/759
D660,391 S * 5/2012 Ehlers D21/759
D660,392 S * 5/2012 Ehlers D21/759
D661,758 S * 6/2012 Ehlers D21/759
D662,162 S * 6/2012 Ehlers D21/759
D662,163 S * 6/2012 Ehlers D21/759
D662,998 S * 7/2012 Ehlers D21/759
D687,504 S * 8/2013 Stokke D21/759
D756,476 S * 5/2016 Rollinson D21/759
D757,194 S * 5/2016 Stokke D21/759
D773,576 S * 12/2016 Schweigert D21/759
D796,611 S * 9/2017 Ivanova D21/759

* cited by examiner

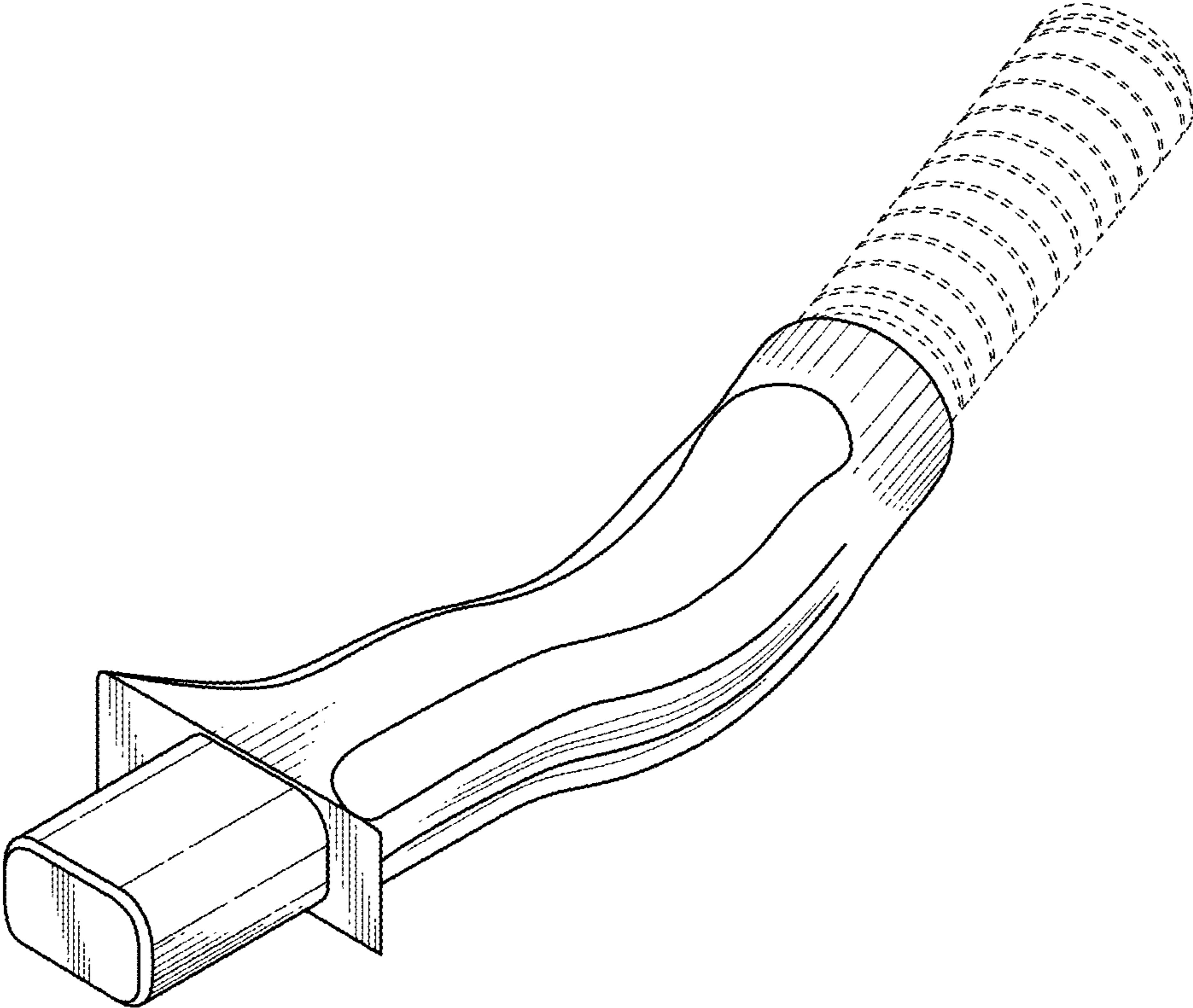


FIG. 1

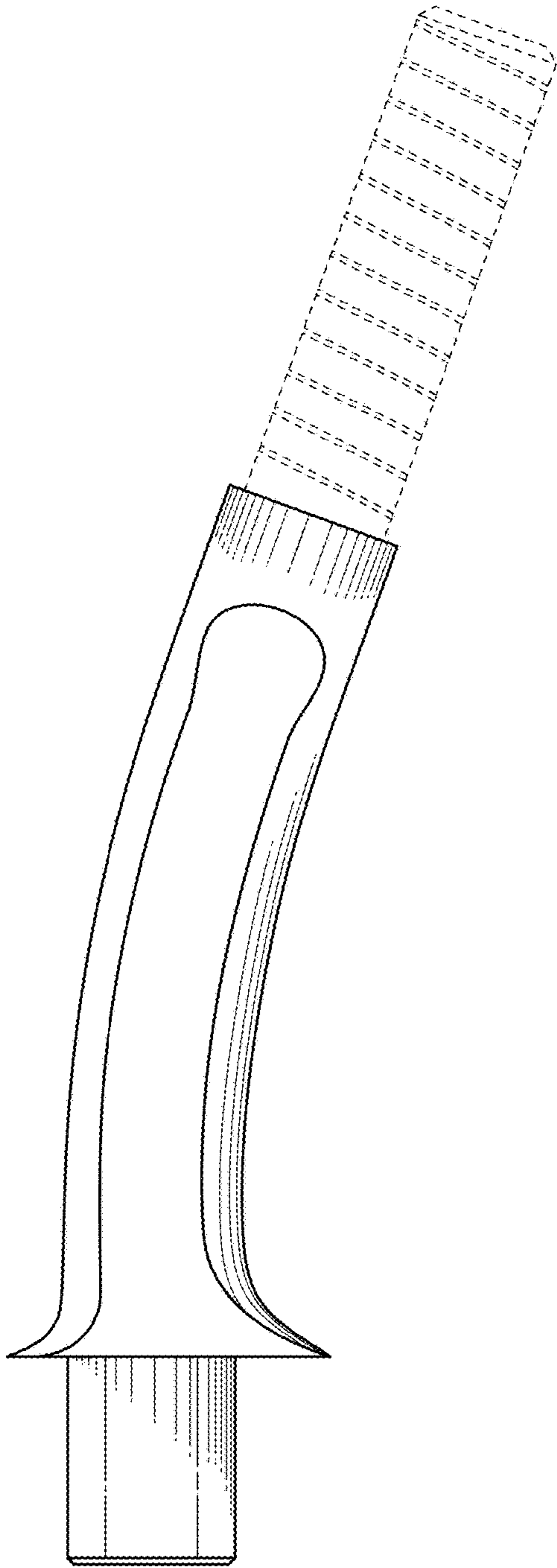


FIG. 2

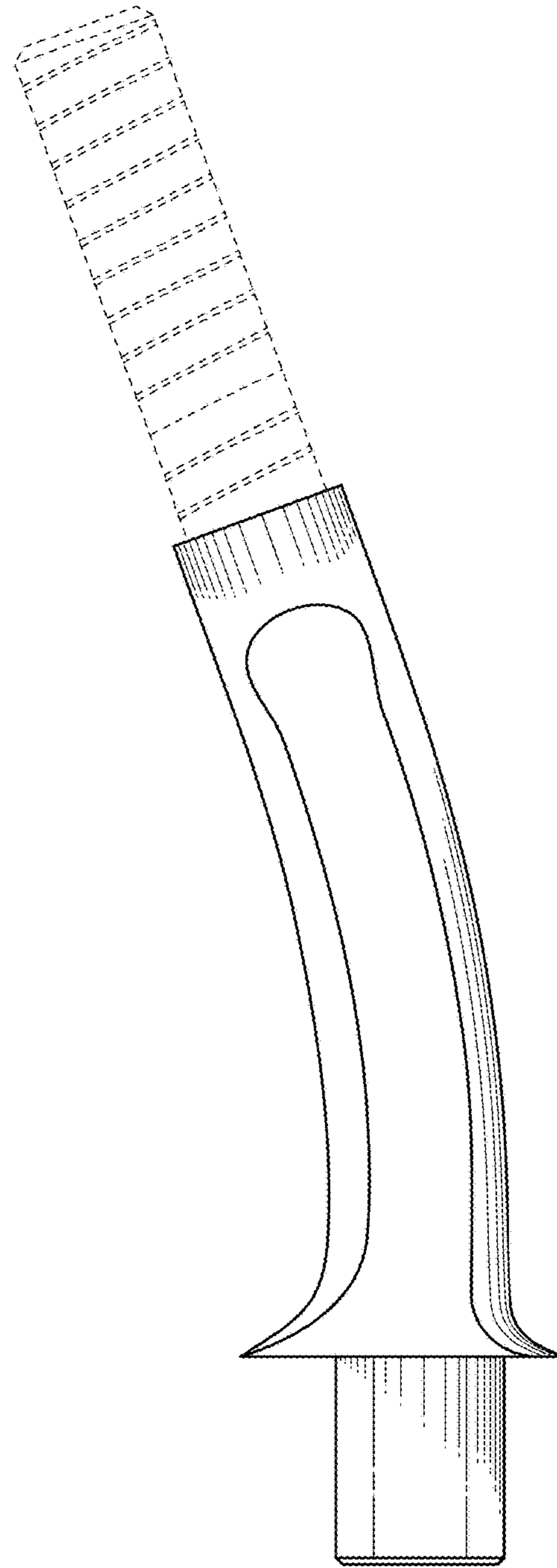


FIG. 3

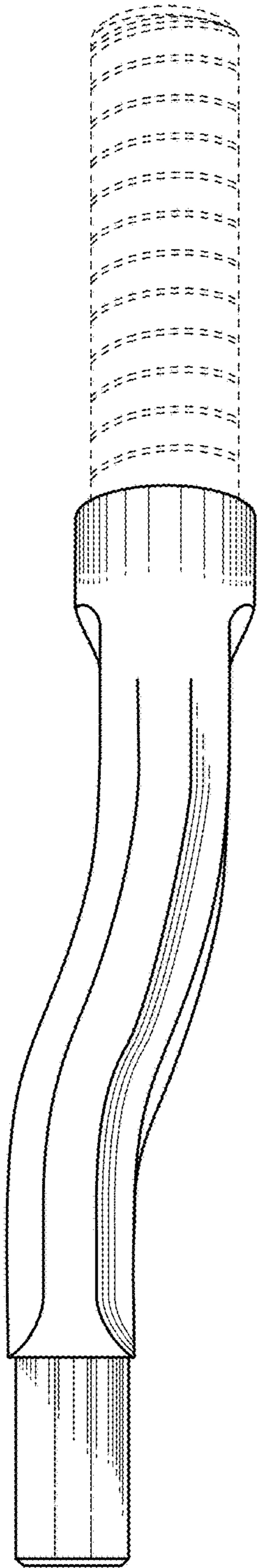


FIG. 4

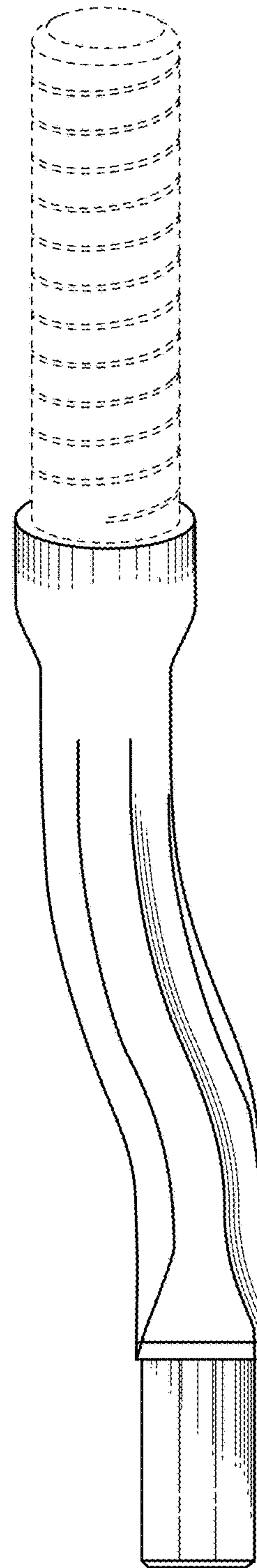


FIG. 5

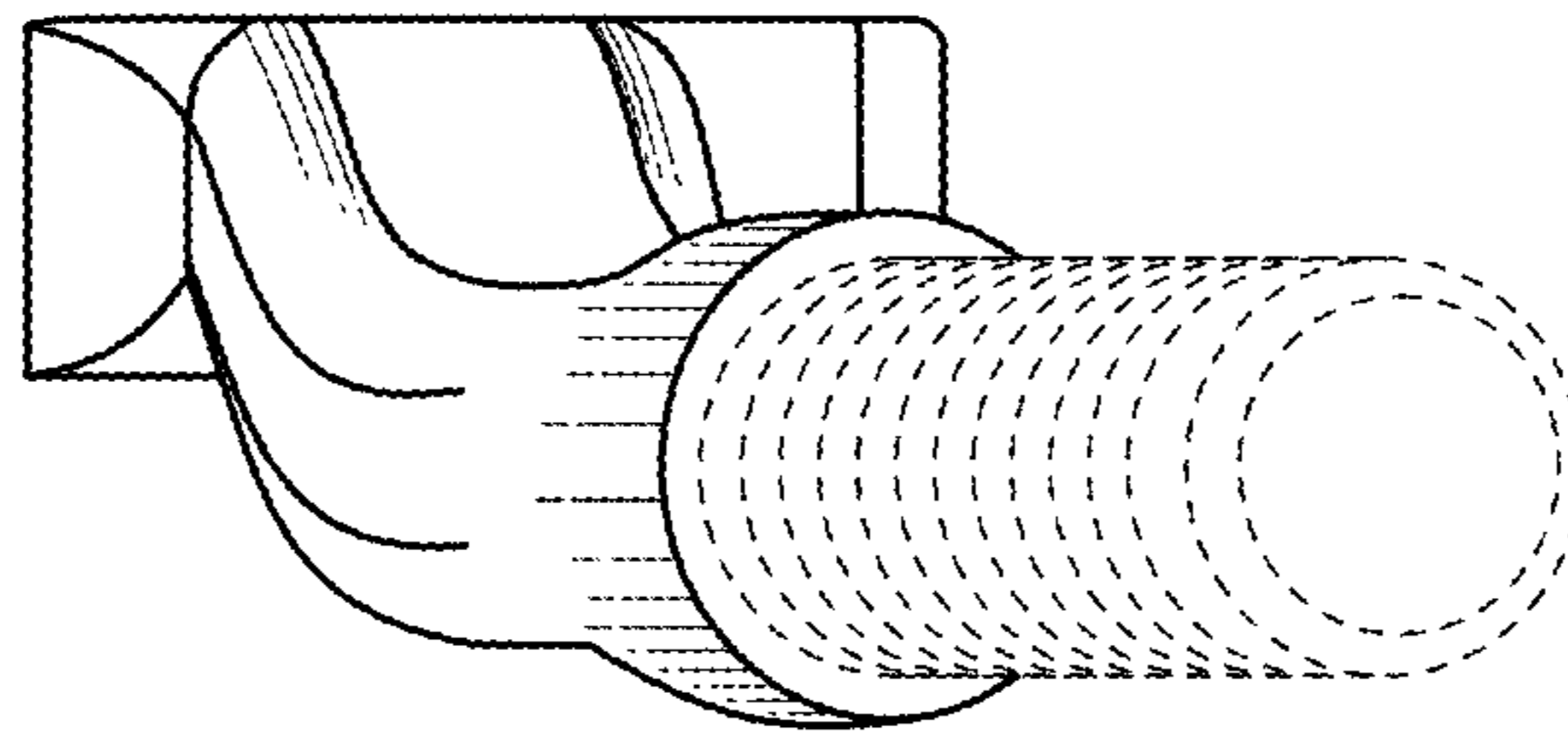


FIG. 6

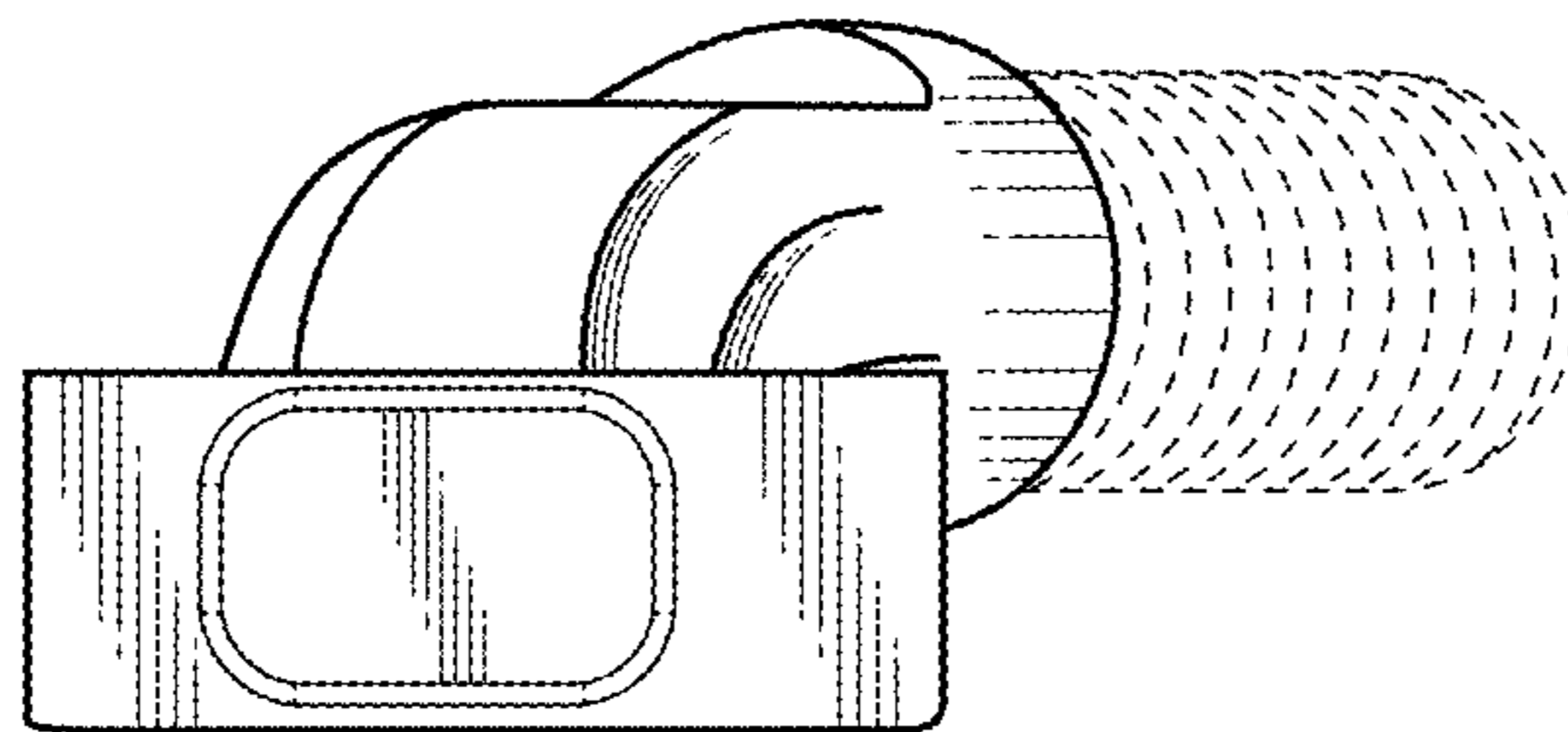


FIG. 7