



US00D817421S

(12) **United States Design Patent** (10) **Patent No.:** **US D817,421 S**
Tang (45) **Date of Patent:** **** May 8, 2018**

- (54) **GOLF CLUB HEAD**
- (71) Applicant: **Callaway Golf Company**, Carlsbad, CA (US)
- (72) Inventor: **Larry Tang**, Carlsbad, CA (US)
- (73) Assignee: **Callaway Golf Company**, Carlsbad, CA (US)
- (**) Term: **15 Years**
- (21) Appl. No.: **29/599,606**
- (22) Filed: **Apr. 5, 2017**
- (51) **LOC (11) Cl.** **21-02**
- (52) **U.S. Cl.**
USPC **D21/759**
- (58) **Field of Classification Search**
USPC D21/747-751, 759
CPC A63B 53/00; A63B 53/02; A63B 53/04;
A63B 53/047; A63B 53/0475; A63B
2053/0479; A63B 2053/0483; A63B
2053/0445; A63B 60/00; A63B 60/46
See application file for complete search history.

D563,497 S *	3/2008	Mahaffey	D21/747
D577,087 S *	9/2008	Roach	D21/749
D577,779 S *	9/2008	Roach	D21/749
D580,503 S *	11/2008	Roach	D21/747
D591,373 S *	4/2009	Foster	D21/747
D593,627 S *	6/2009	Kim	D21/747
D598,967 S *	8/2009	Kim	D21/747
D598,968 S *	8/2009	Wieland	D21/747
D618,743 S *	6/2010	Roach	D21/747
D625,375 S *	10/2010	Kim	D21/748
D629,059 S *	12/2010	Foster	D21/747
D631,110 S *	1/2011	Kim	D21/747
D633,159 S *	2/2011	Holt	D21/747
D639,880 S *	6/2011	Roach	D21/747
D643,488 S *	8/2011	Holt	D21/747
D643,895 S *	8/2011	Wieland	D21/747
D652,093 S *	1/2012	Foster	D21/747
D788,236 S *	5/2017	Bishop	D21/747

* cited by examiner

Primary Examiner — Mitchell I. Siegel
(74) *Attorney, Agent, or Firm* — Rebecca Hanovice;
Michael Catania; Sonia Lari

(57) **CLAIM**

The ornamental design for a golf club head, as shown and described.

DESCRIPTION

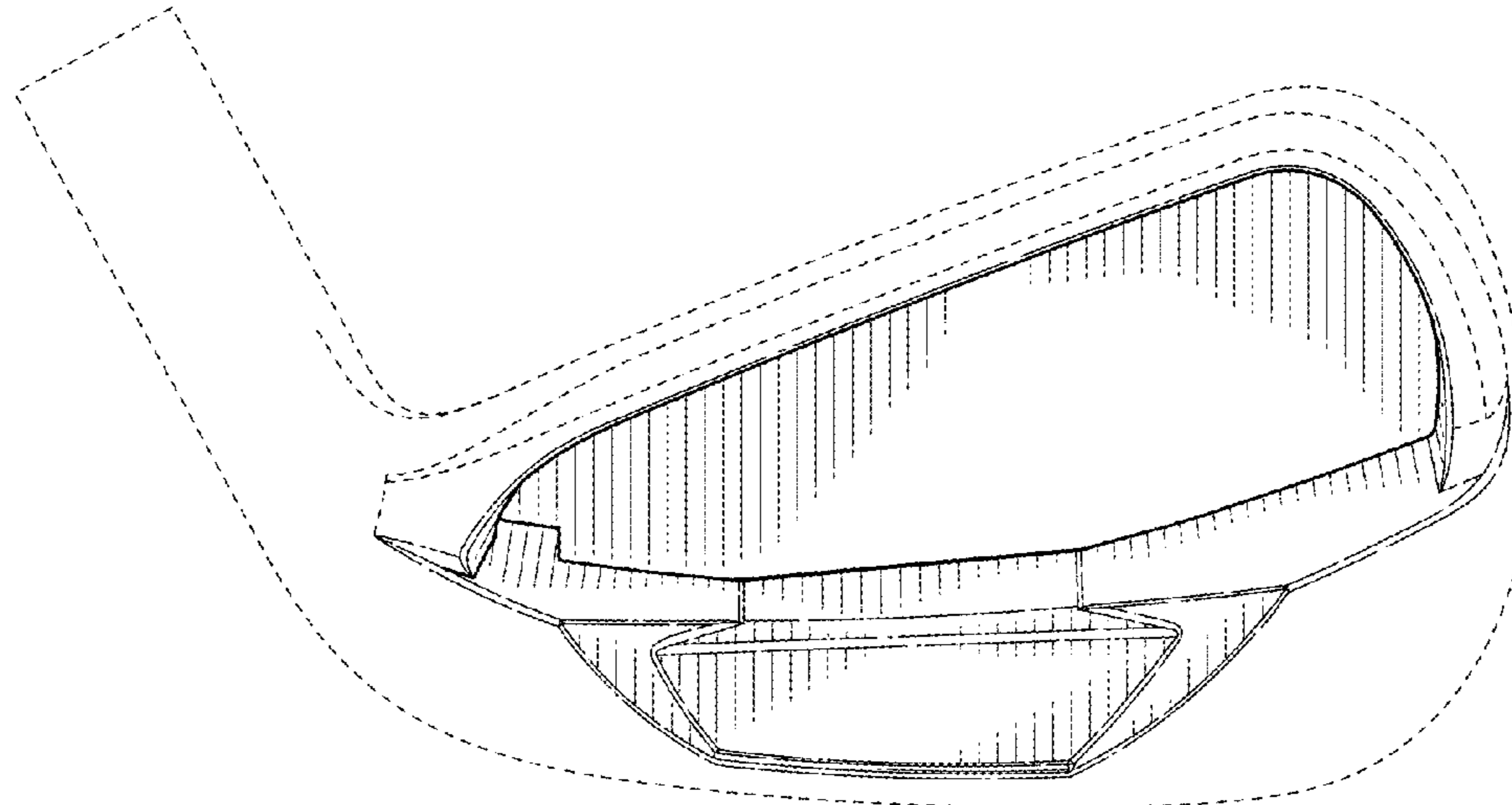
FIG. 1 is a rear perspective view of the golf club head claimed herein;
FIG. 2 is a front elevational view thereof;
FIG. 3 is a rear elevational view thereof;
FIG. 4 is a left side elevational view thereof;
FIG. 5 is a right side elevational view thereof;
FIG. 6 is a top elevational view thereof; and,
FIG. 7 is a bottom elevational view thereof.
The broken lines are included for the purpose of illustration and form no part of the claimed design.

1 Claim, 3 Drawing Sheets

(56) **References Cited**

U.S. PATENT DOCUMENTS

5,356,138 A *	10/1994	Chen	A63B 53/04 473/291
D382,616 S *	8/1997	Heffley	D21/749
D496,419 S *	9/2004	Lang	D21/747
D498,277 S *	11/2004	Lang	D21/747
D529,114 S *	9/2006	Madore	D21/759
D532,848 S *	11/2006	Cleveland	D21/747
D533,245 S *	12/2006	Cleveland	D21/747
D537,894 S *	3/2007	Cleveland	D21/747
D544,055 S *	6/2007	Wieland	D21/747
D549,791 S *	8/2007	Morris	D21/748
D556,278 S *	11/2007	Mahaffey	D21/747



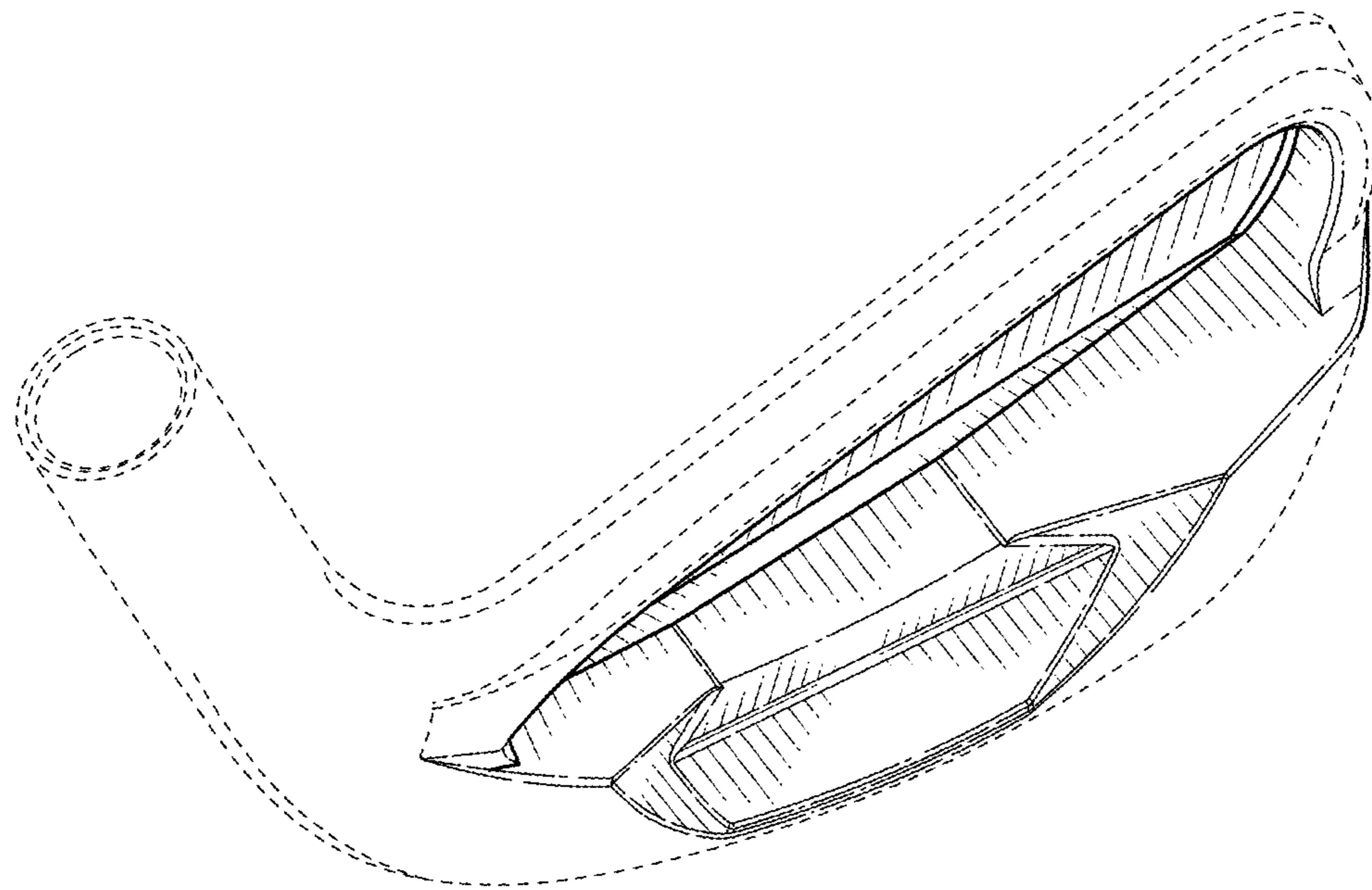


FIG. 1

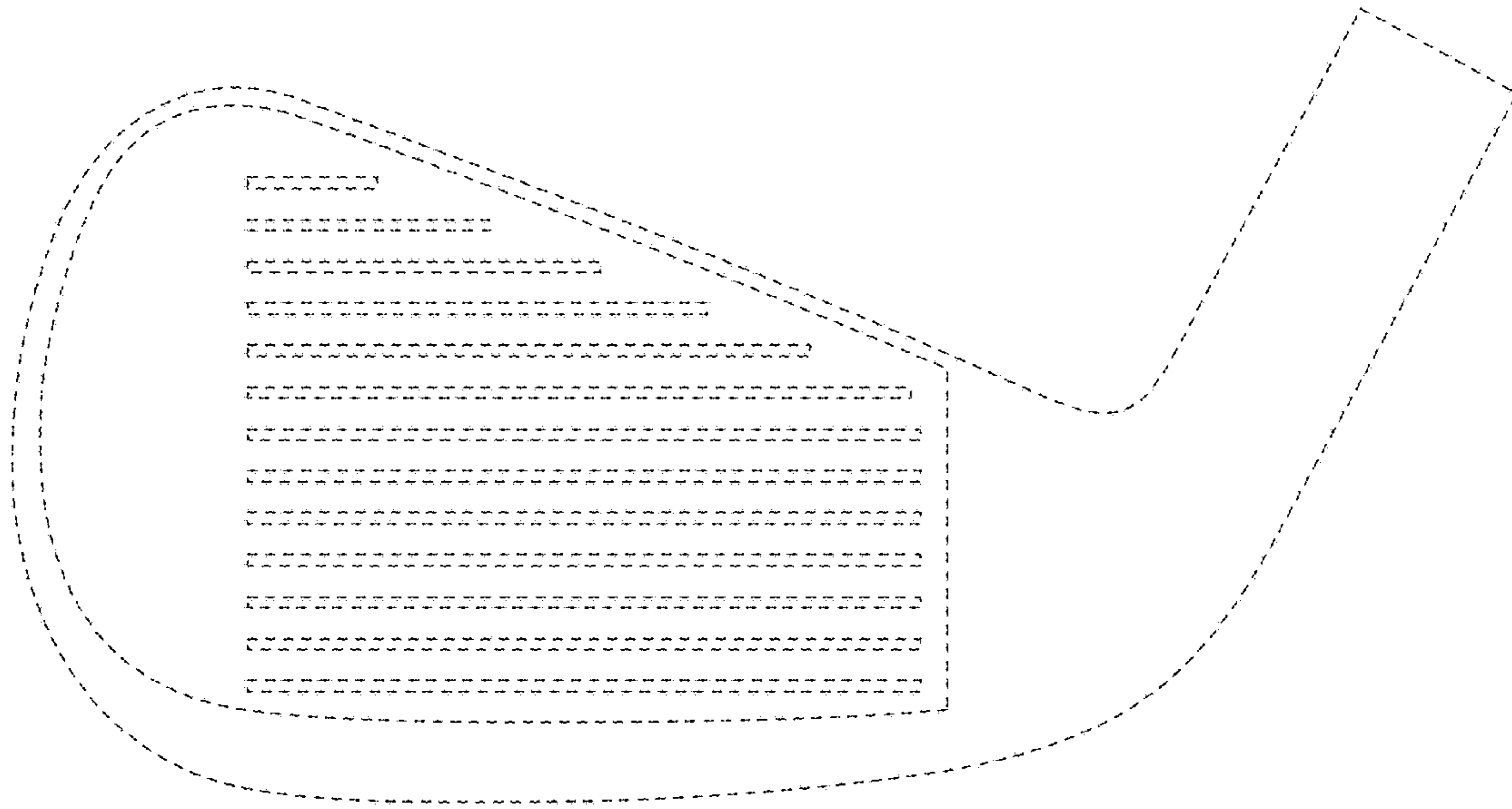


FIG. 2

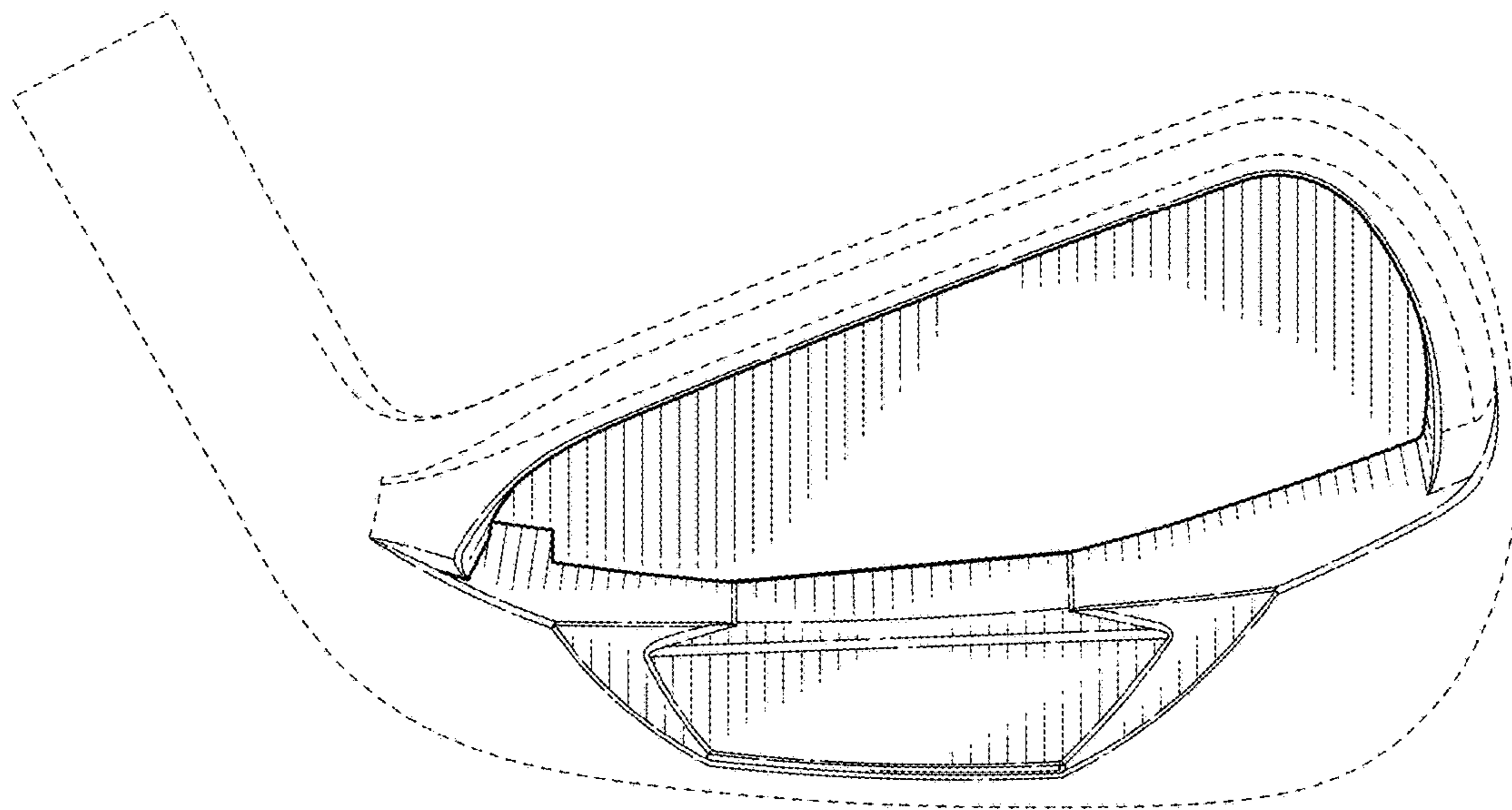


FIG. 3

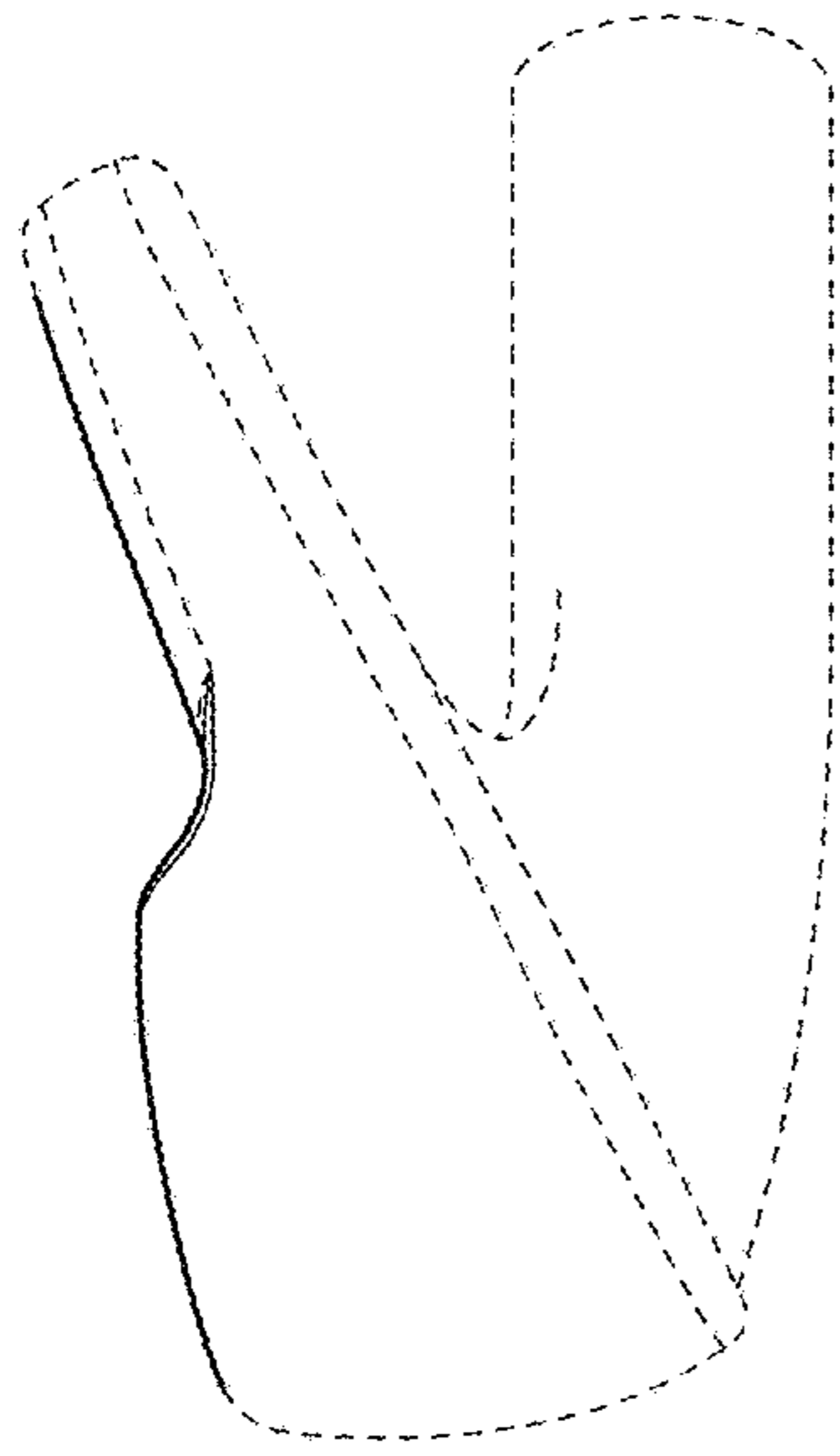


FIG. 4

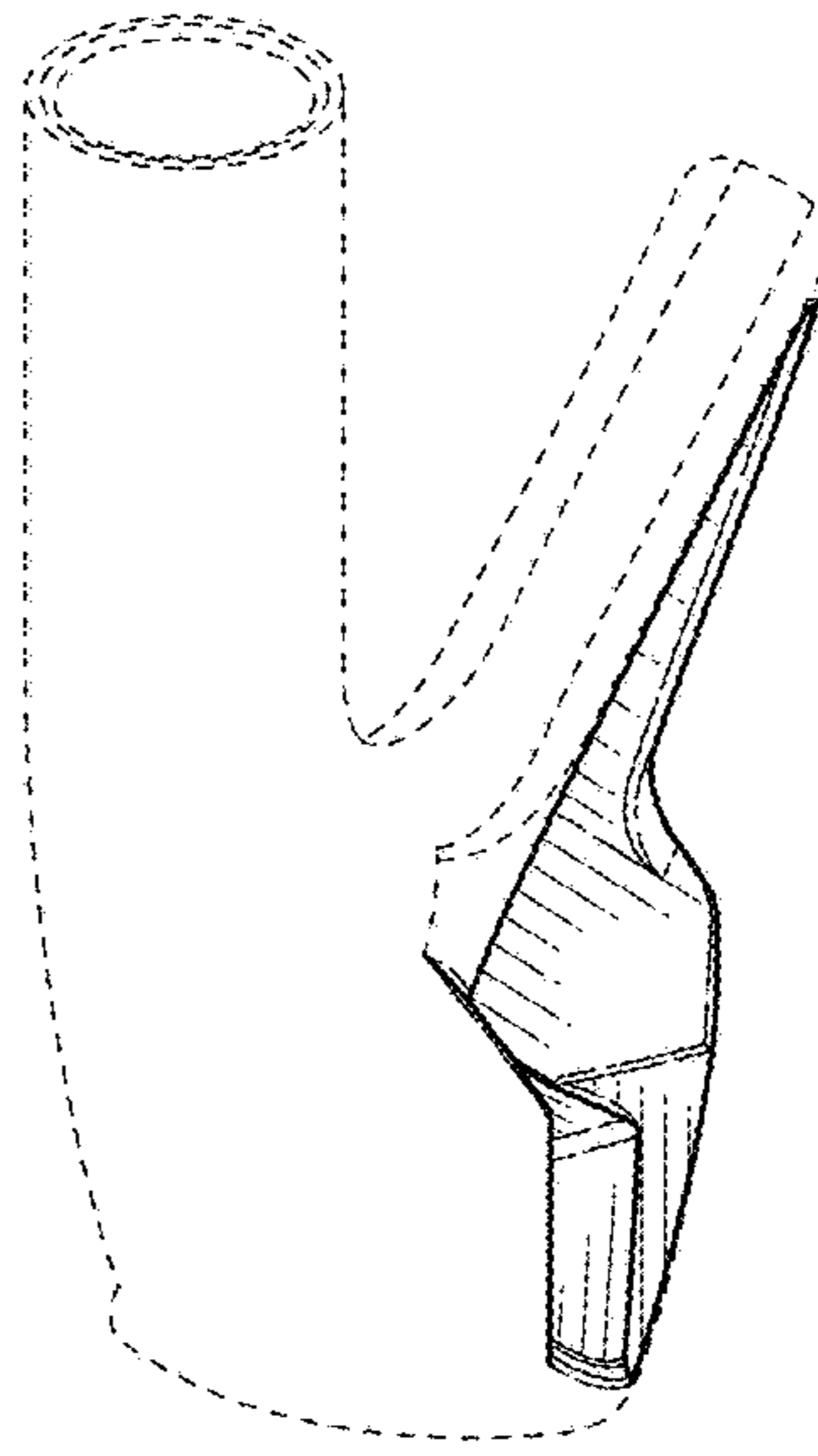


FIG. 5

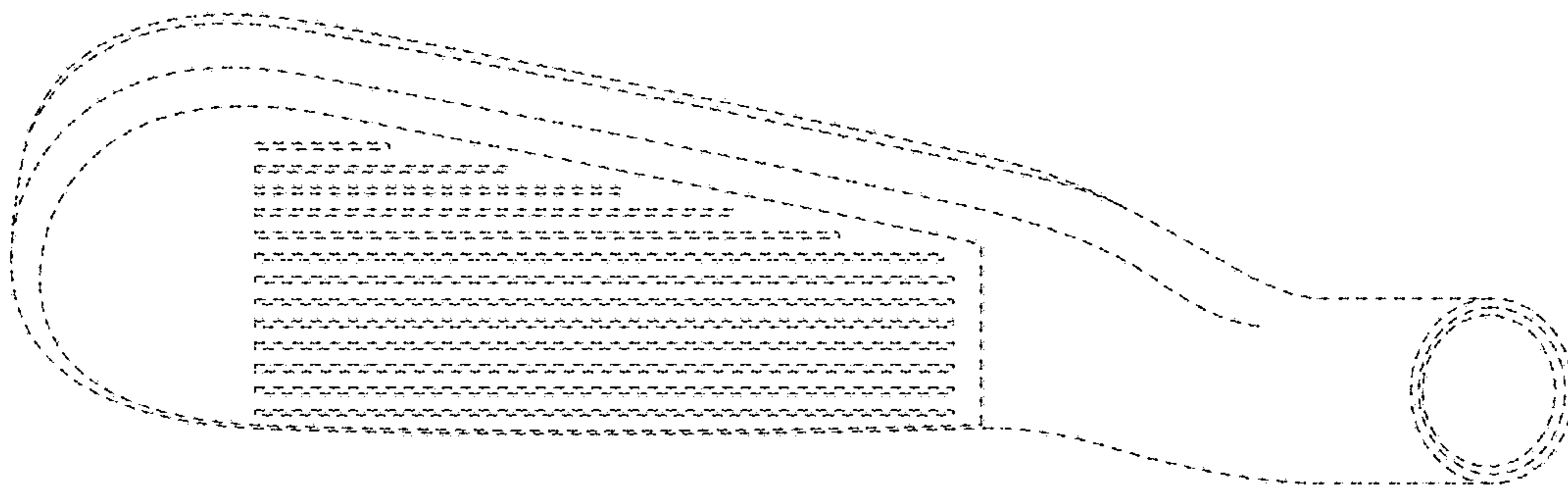


FIG. 6

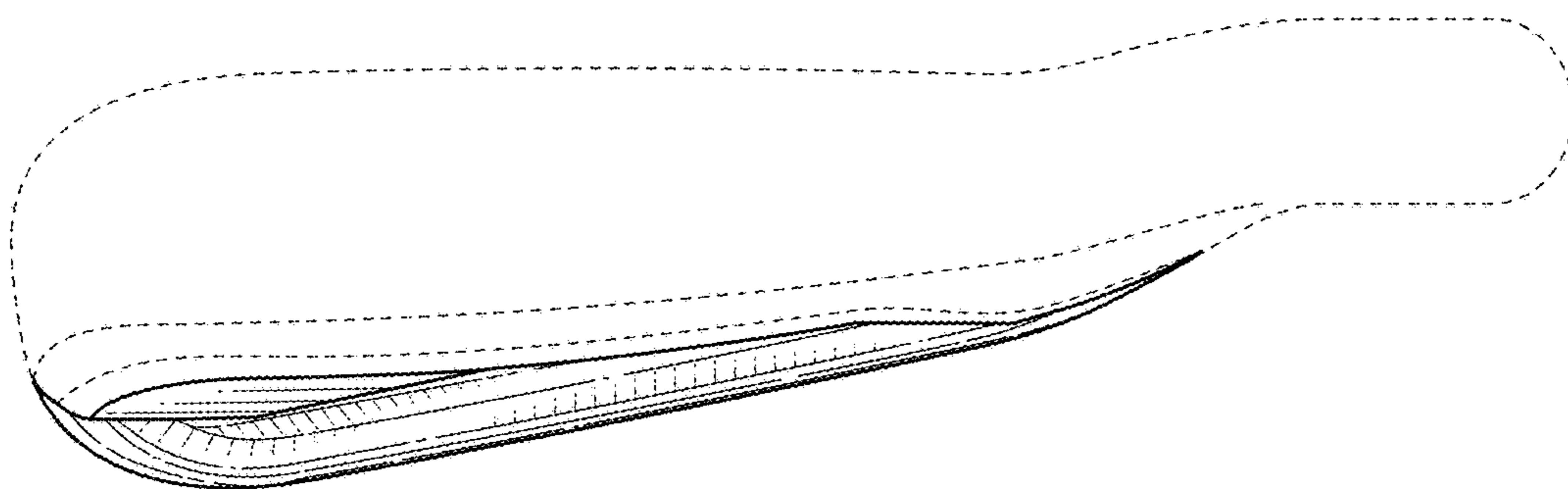


FIG. 7