



US00D817420S

(12) **United States Design Patent** (10) **Patent No.:** **US D817,420 S**  
**Keeley** (45) **Date of Patent:** **\*\* May 8, 2018**

(54) **SPORTS APPARATUS GRIP**  
(71) Applicant: **William Scott Keeley**, Charlestown, RI (US)  
(72) Inventor: **William Scott Keeley**, Charlestown, RI (US)  
(73) Assignee: **WS Keeley Design**, Charlestown, RI (US)  
(\*\*) Term: **15 Years**

D631,117 S \* 1/2011 Appleton ..... D21/756  
D761,925 S \* 7/2016 Phelan, Jr. .... D21/753  
9,821,204 B2 \* 11/2017 Wolfe ..... A63B 59/20

\* cited by examiner

*Primary Examiner* — Mitchell I. Siegel  
(74) *Attorney, Agent, or Firm* — Keeley DeAngelo LLP;  
W Scott Keeley

(21) Appl. No.: **29/586,472**  
(22) Filed: **Dec. 4, 2016**  
(51) **LOC (11) Cl.** ..... **21-02**  
(52) **U.S. Cl.**  
USPC ..... **D21/756**  
(58) **Field of Classification Search**  
USPC ..... D21/722–753, 756, 759, 789  
CPC ..... A63B 60/06–60/34; A63B 60/00; A63B  
60/46; A63B 59/20; A63B 59/40; A63B  
59/60–59/80; A63B 49/00–49/14; A63B  
53/00–53/14  
See application file for complete search history.

(57) **CLAIM**

The ornamental design for a sports apparatus grip, as shown and described.

**DESCRIPTION**

FIG. 1 is a front right perspective view of a sports apparatus grip;  
FIG. 2 is a rear right perspective view of a sports apparatus grip thereof;  
FIG. 3 is a front elevation view of the sports apparatus grip thereof;  
FIG. 4 is a right side elevation view of the sports apparatus grip thereof;  
FIG. 5 is a rear elevation view of the sports apparatus grip thereof;  
FIG. 6 is a left side elevation view of the sports apparatus grip thereof;  
FIG. 7 is a top plan view of the sports apparatus grip thereof; and,  
FIG. 8 is a bottom plan view of the sports apparatus grip thereof.

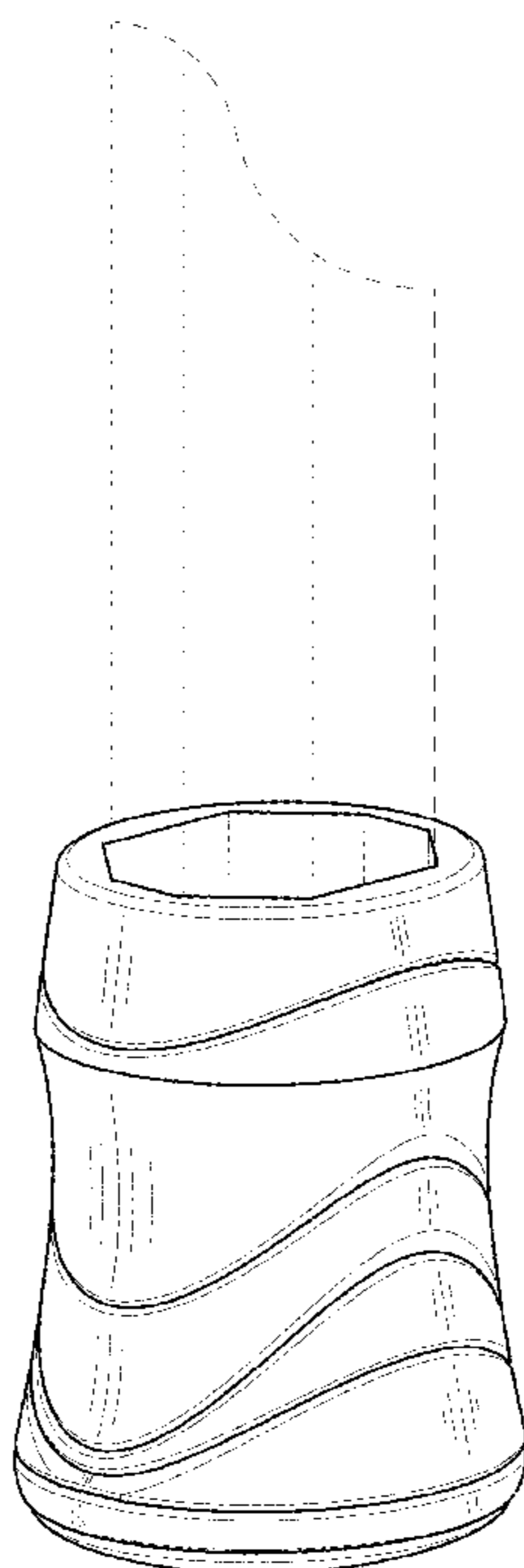
The portions shown in broken lines are for illustrative purposes only, depicting a shaft on which a grip may be applied and form no part of the claimed design.

(56) **References Cited**

**U.S. PATENT DOCUMENTS**

D444,834 S \* 7/2001 Tucker, Sr. .... D21/753  
D445,472 S \* 7/2001 Tucker, Sr. .... D21/753  
D565,140 S \* 3/2008 Appleton ..... D21/757  
D567,890 S \* 4/2008 Appleton ..... D21/756  
D629,478 S \* 12/2010 Appleton ..... D21/753  
D629,479 S \* 12/2010 Chen ..... D21/756

**1 Claim, 8 Drawing Sheets**



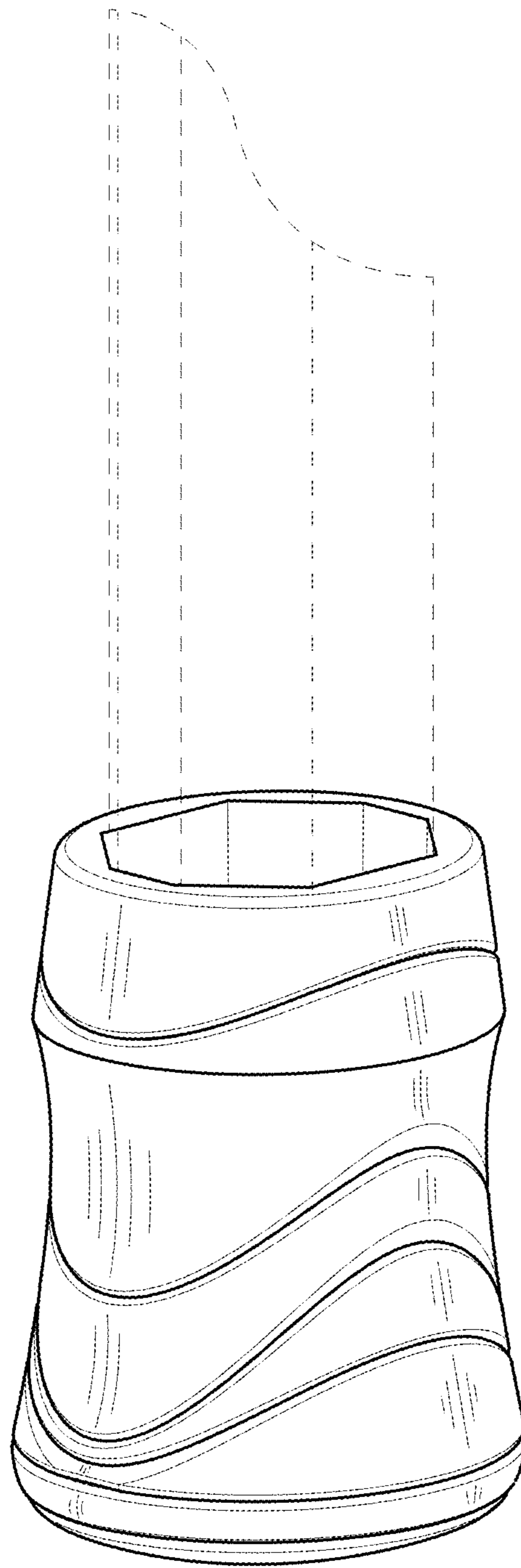


Figure 1

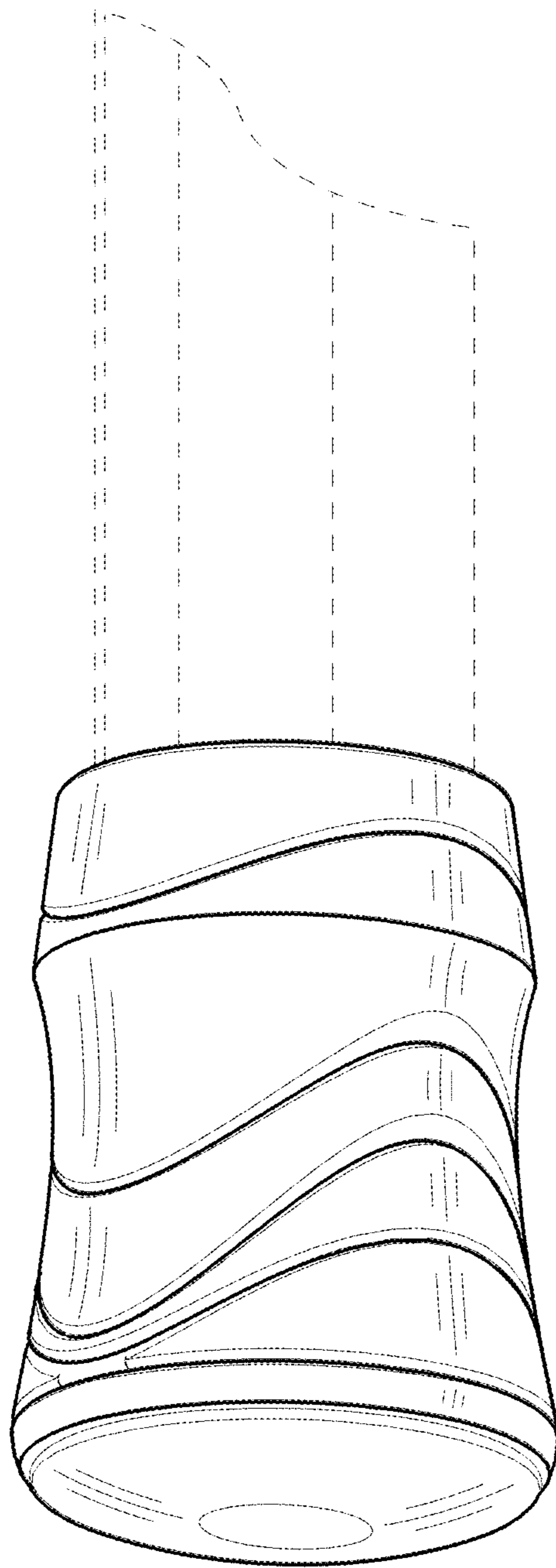


Figure 2

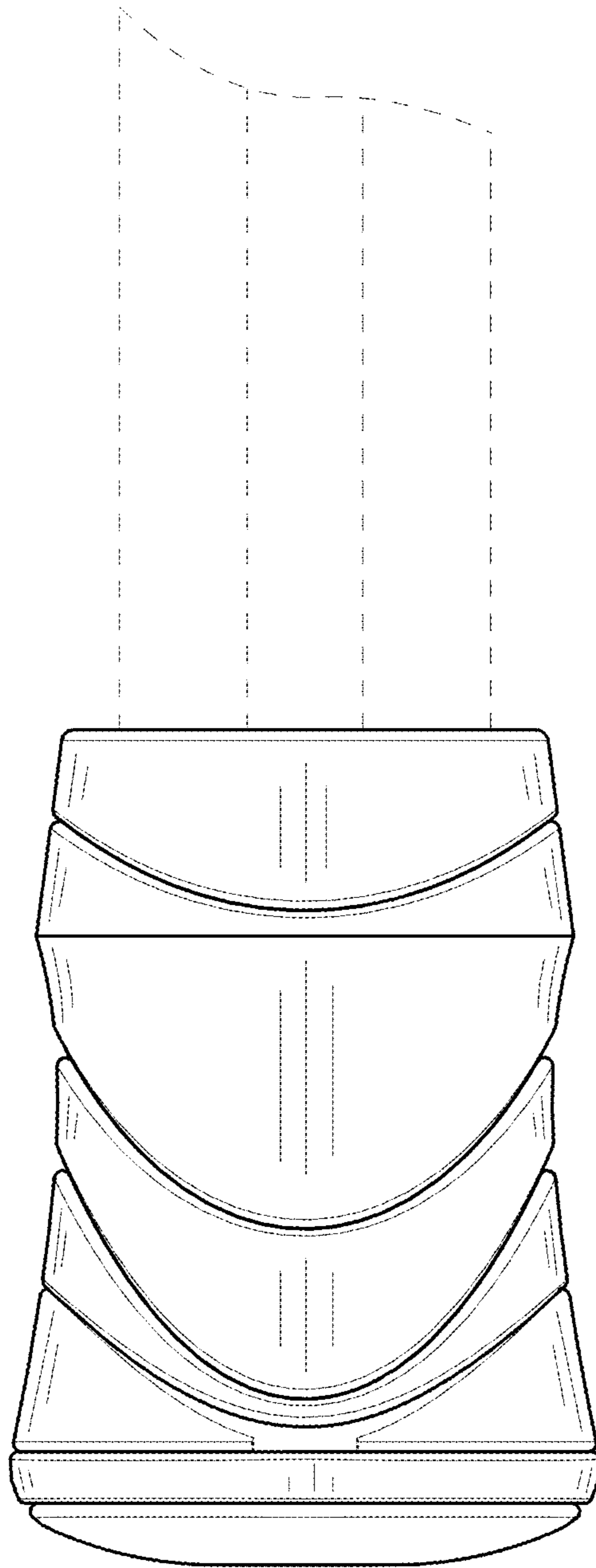


Figure 3

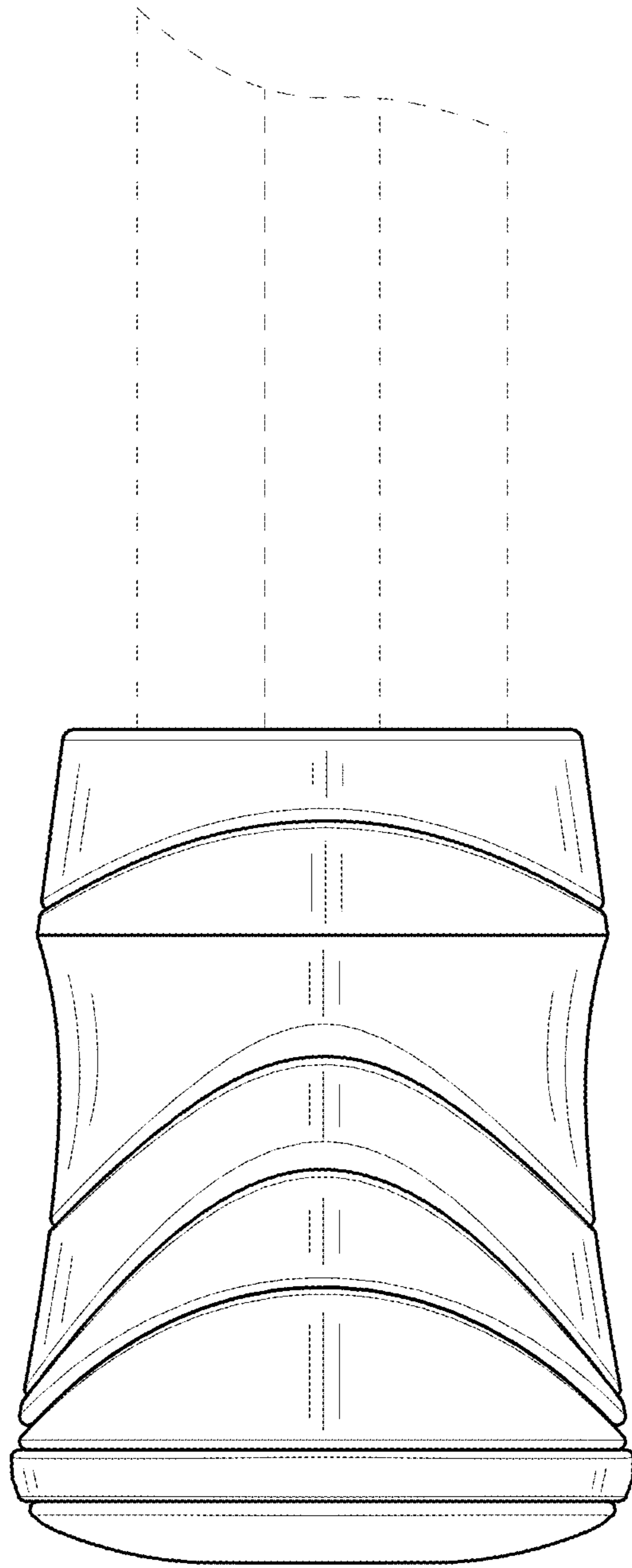


Figure 4

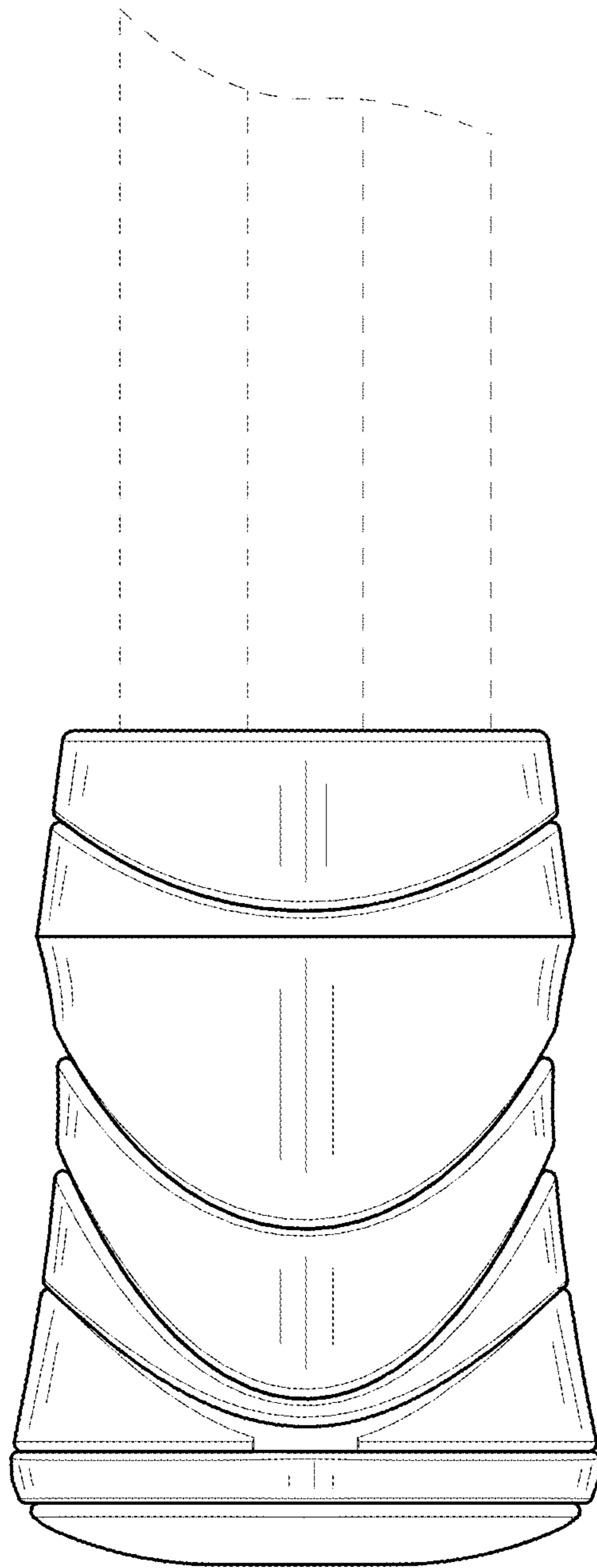


Figure 5

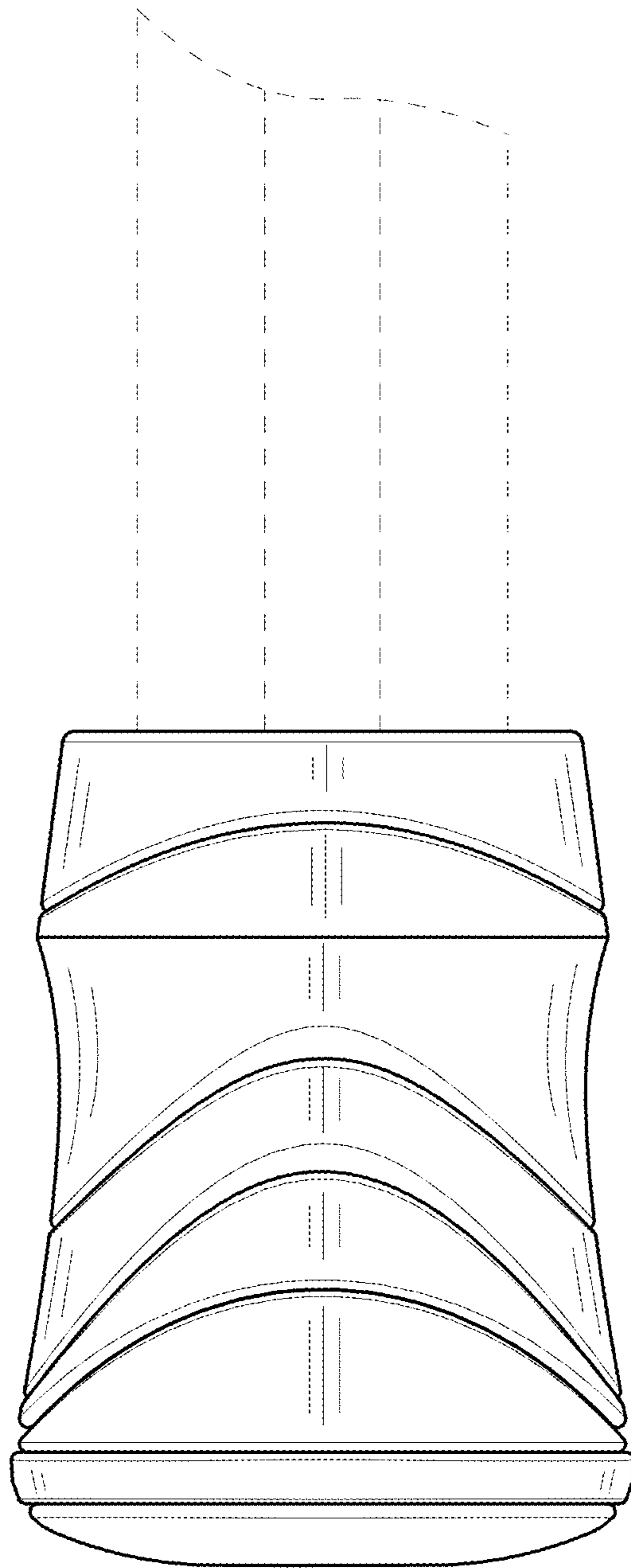


Figure 6

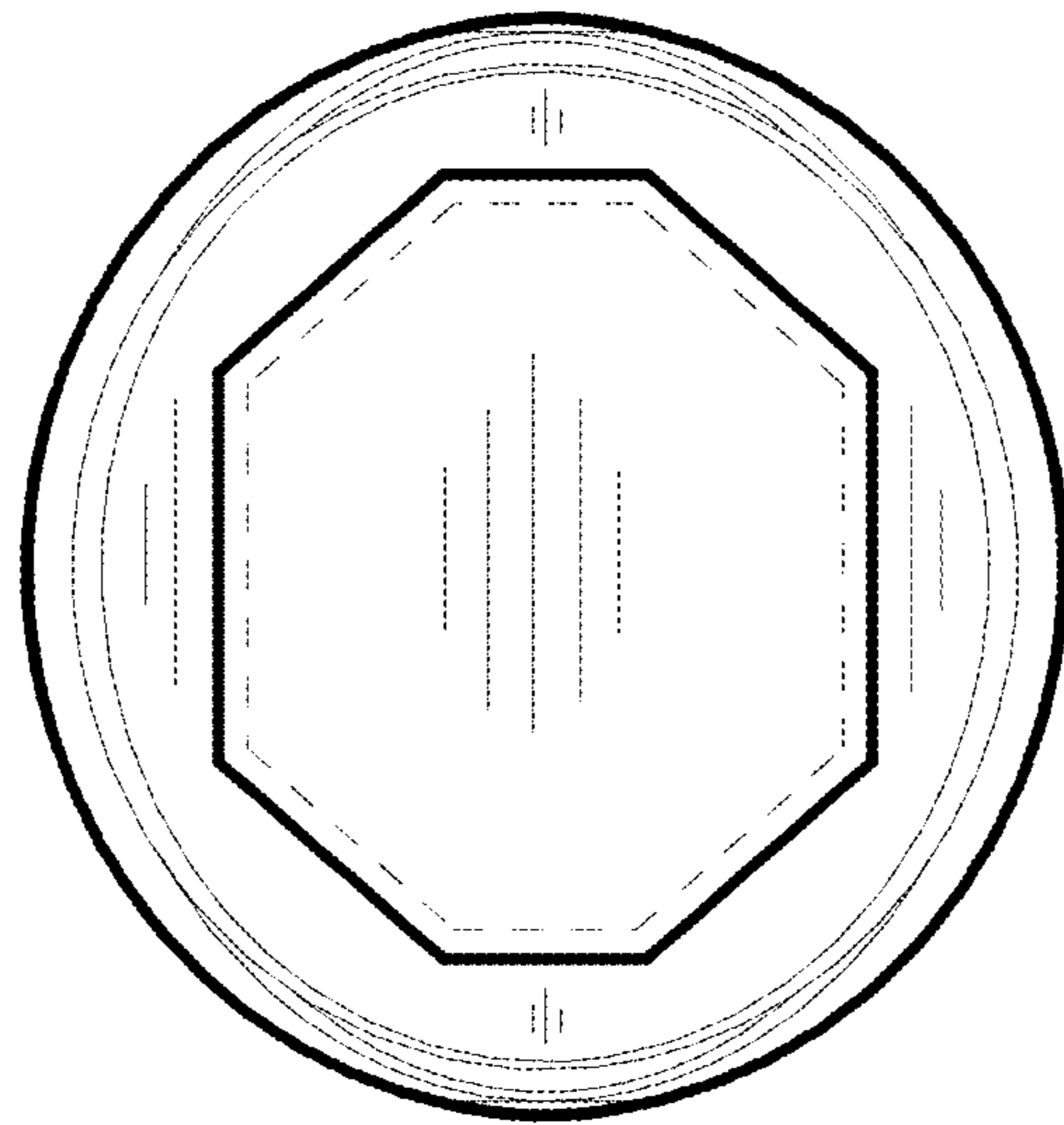


Figure 7



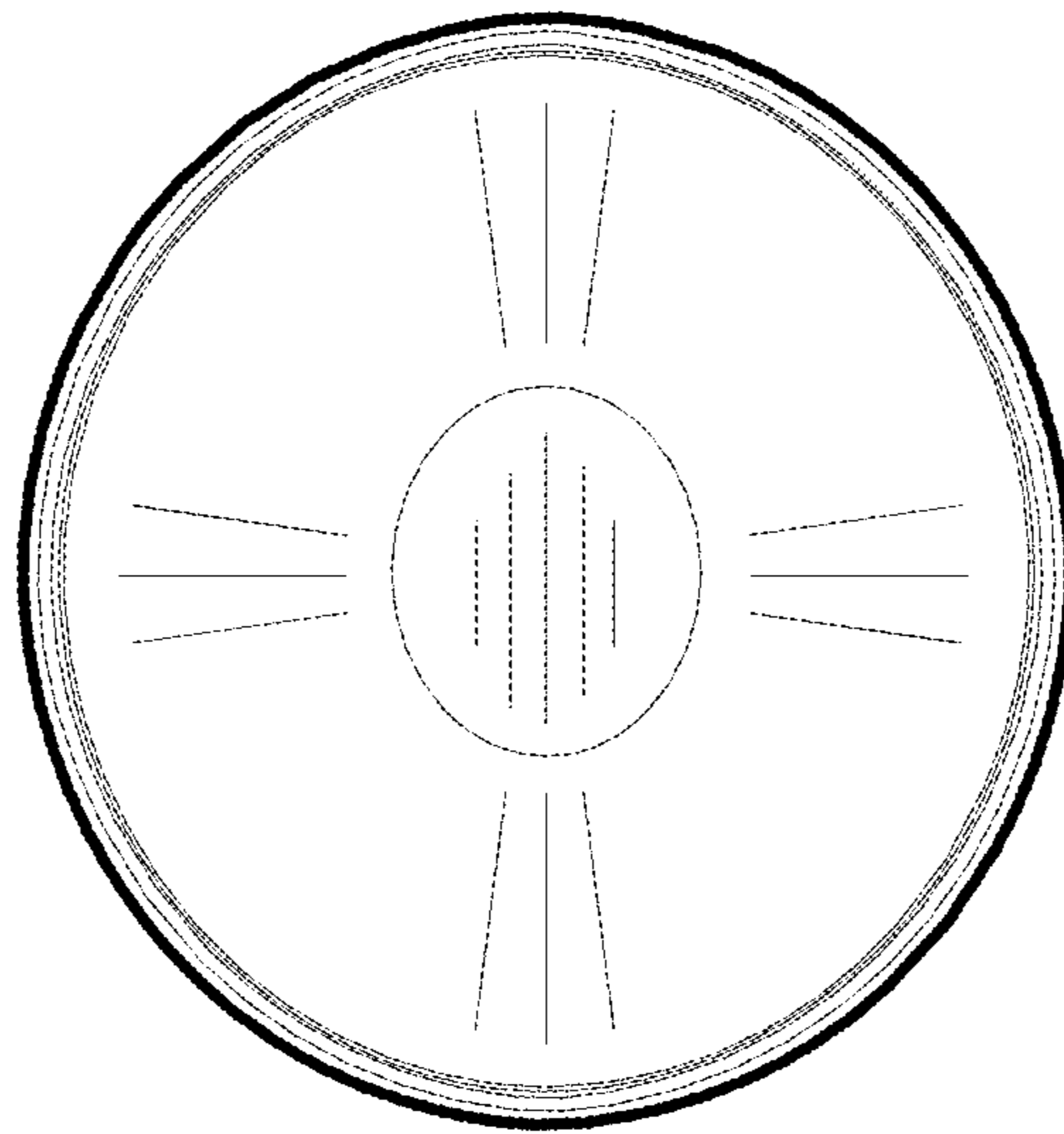


Figure 8