



US00D817417S

(12) **United States Design Patent**  
**Neal**

(10) **Patent No.:** **US D817,417 S**

(45) **Date of Patent:** **\*\* May 8, 2018**

(54) **EXERCISE SUSPENSION APPARATUS**

(71) Applicant: **Jonathan Neal**, Kansas City, MO (US)

(72) Inventor: **Jonathan Neal**, Kansas City, MO (US)

(\*\*) Term: **15 Years**

(21) Appl. No.: **29/581,284**

(22) Filed: **Oct. 18, 2016**

(51) **LOC (11) Cl.** ..... **21-02**

(52) **U.S. Cl.**  
USPC ..... **D21/662**

(58) **Field of Classification Search**

USPC ..... 482/44, 91, 93, 94, 122, 141, 143;  
D21/468, 471, 484, 486, 491, 662, 686,  
D21/692, 694

CPC ... A63B 22/18; A63B 22/203; A63B 23/1236;  
A63B 2022/185; A63B 21/4035

See application file for complete search history.

(56) **References Cited**

**U.S. PATENT DOCUMENTS**

5,328,434	A	7/1994	Carroll	
5,607,380	A	3/1997	Duty	
D523,493	S *	6/2006	Horton	D21/662
D576,693	S *	9/2008	Khubani	D21/662
D579,503	S *	10/2008	Hauser	A63B 21/00047 D21/662
7,468,025	B2	12/2008	Hauser et al.	
D585,947	S *	2/2009	Royster	D21/662
7,621,858	B2	11/2009	Sheron	
7,896,789	B2 *	3/2011	Hinton	A63B 21/00047 482/141
D639,876	S *	6/2011	Tsou	D21/662
D651,669	S *	1/2012	Garland	D21/662
D666,684	S *	9/2012	Meininger	D21/662
D682,375	S *	5/2013	Wu	D21/662
D685,038	S *	6/2013	Crain	D21/662
8,888,668	B2	11/2014	Delisle	
D739,900	S *	9/2015	Smith	D21/662
9,308,416	B1	4/2016	Oliverlo	
9,511,250	B2	12/2016	Neal	

2004/0266593	A1	12/2004	Schwendeman	
2006/0014615	A1	1/2006	Godbold	
2011/0275499	A1	11/2011	Eschenbach	
2015/0126340	A1 *	5/2015	White	A63B 21/072 482/93
2015/0352398	A1 *	12/2015	Chang	A63B 21/075 482/93

**OTHER PUBLICATIONS**

International Search Report and Written Opinion, PCT/US2015/037669, dated Sep. 14, 2015.

U.S. Appl. No. 15/341,568, filed Nov. 2, 2016, Neal.

\* cited by examiner

*Primary Examiner* — Cynthia Ramirez

*Assistant Examiner* — Michael A Maharajh

(74) *Attorney, Agent, or Firm* — Polsinelli PC

(57) **CLAIM**

The ornamental design for an exercise suspension apparatus, as shown and described.

**DESCRIPTION**

FIG. 1 is a top isometric view of the exercise suspension apparatus;

FIG. 2 is a first side view of the exercise suspension apparatus, a second side view opposite the first side view being the same as the first side view;

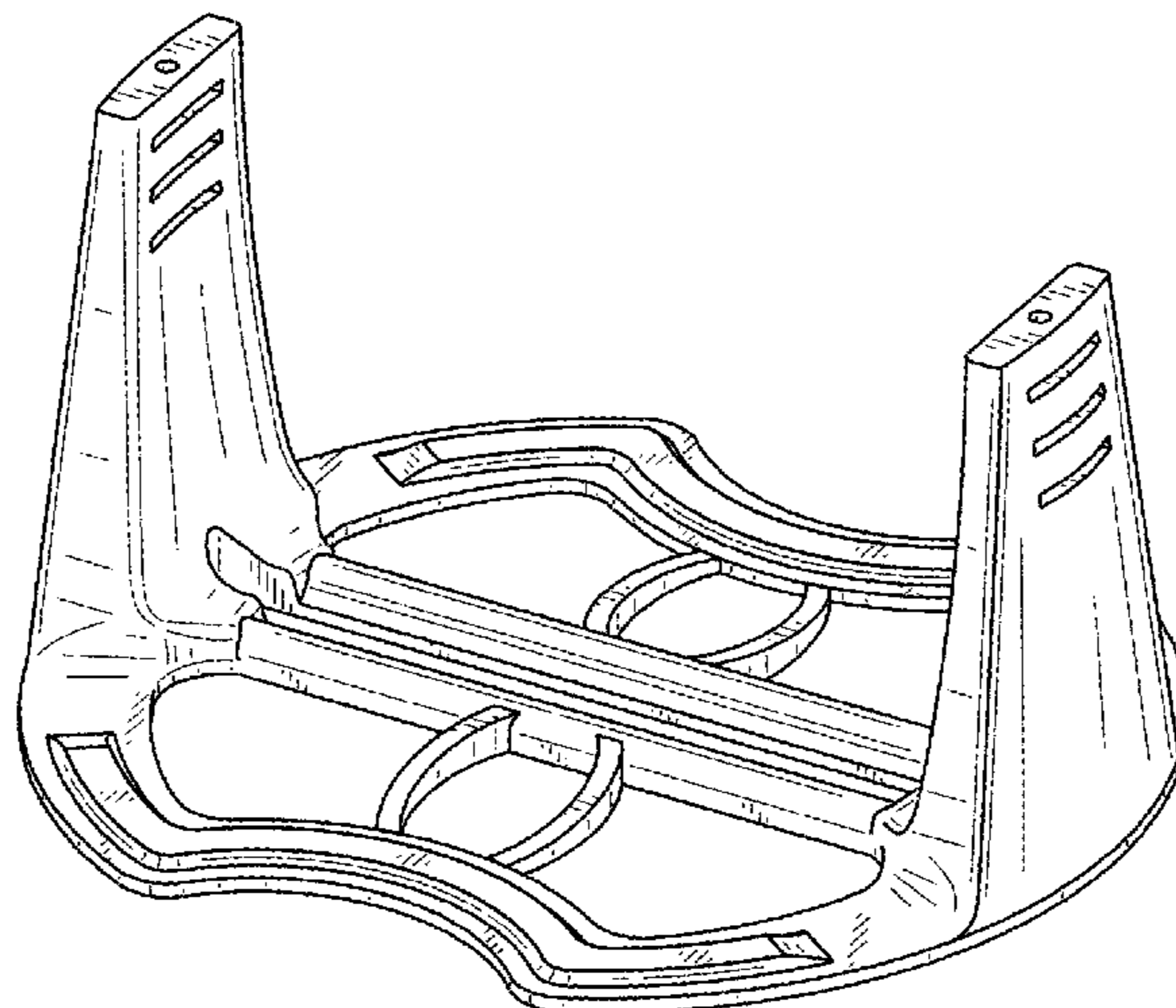
FIG. 3 is a front view of the exercise suspension apparatus, a back view opposite the front view being the same as the front view;

FIG. 4 is a top view of the exercise suspension apparatus; and,

FIG. 5 is a bottom view of the exercise suspension apparatus.

The broken lines on FIG. 5 are for the purpose of illustrating unclaimed portions of the exercise suspension apparatus and form no part of the claimed design.

**1 Claim, 3 Drawing Sheets**



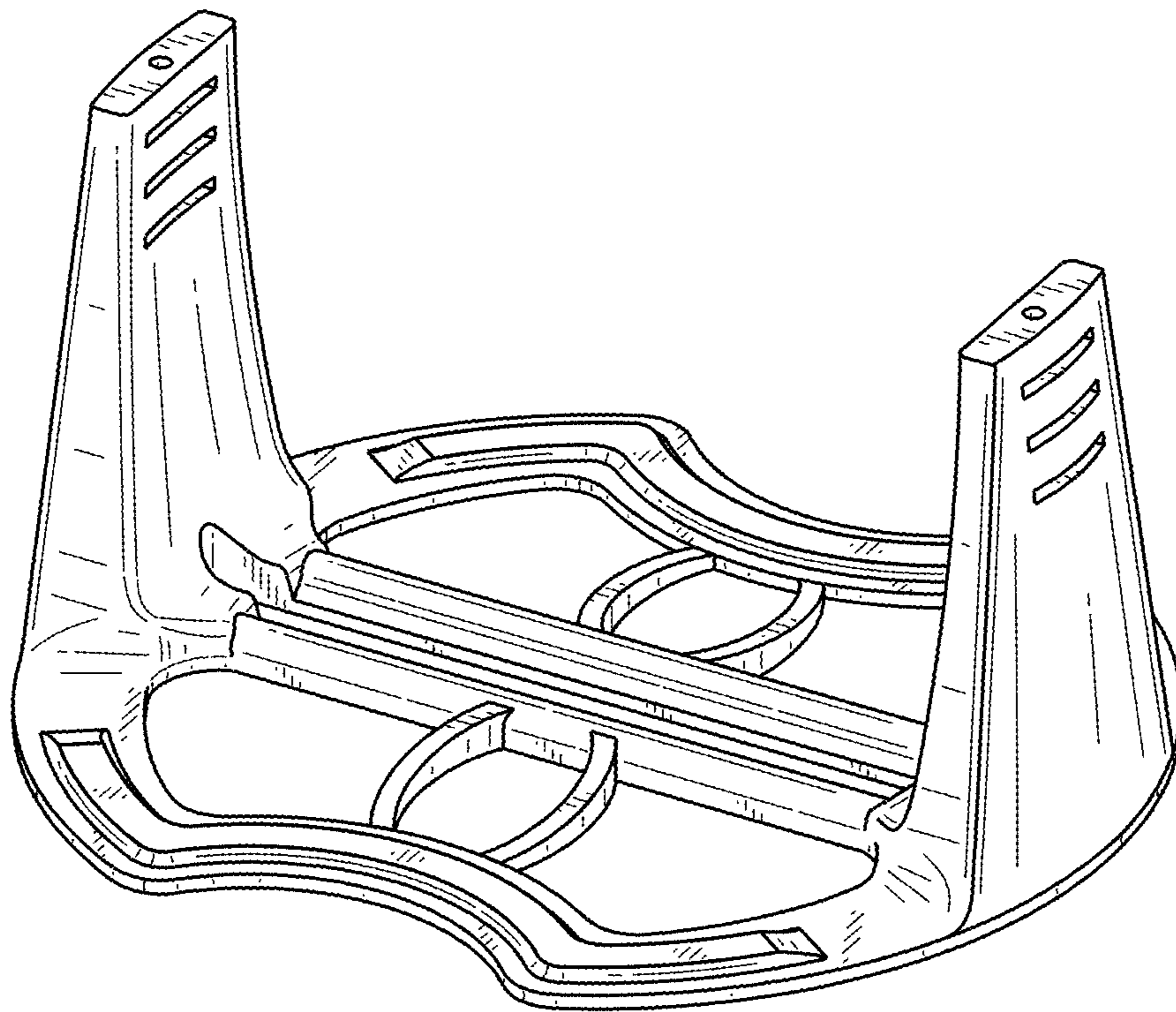


FIG. 1

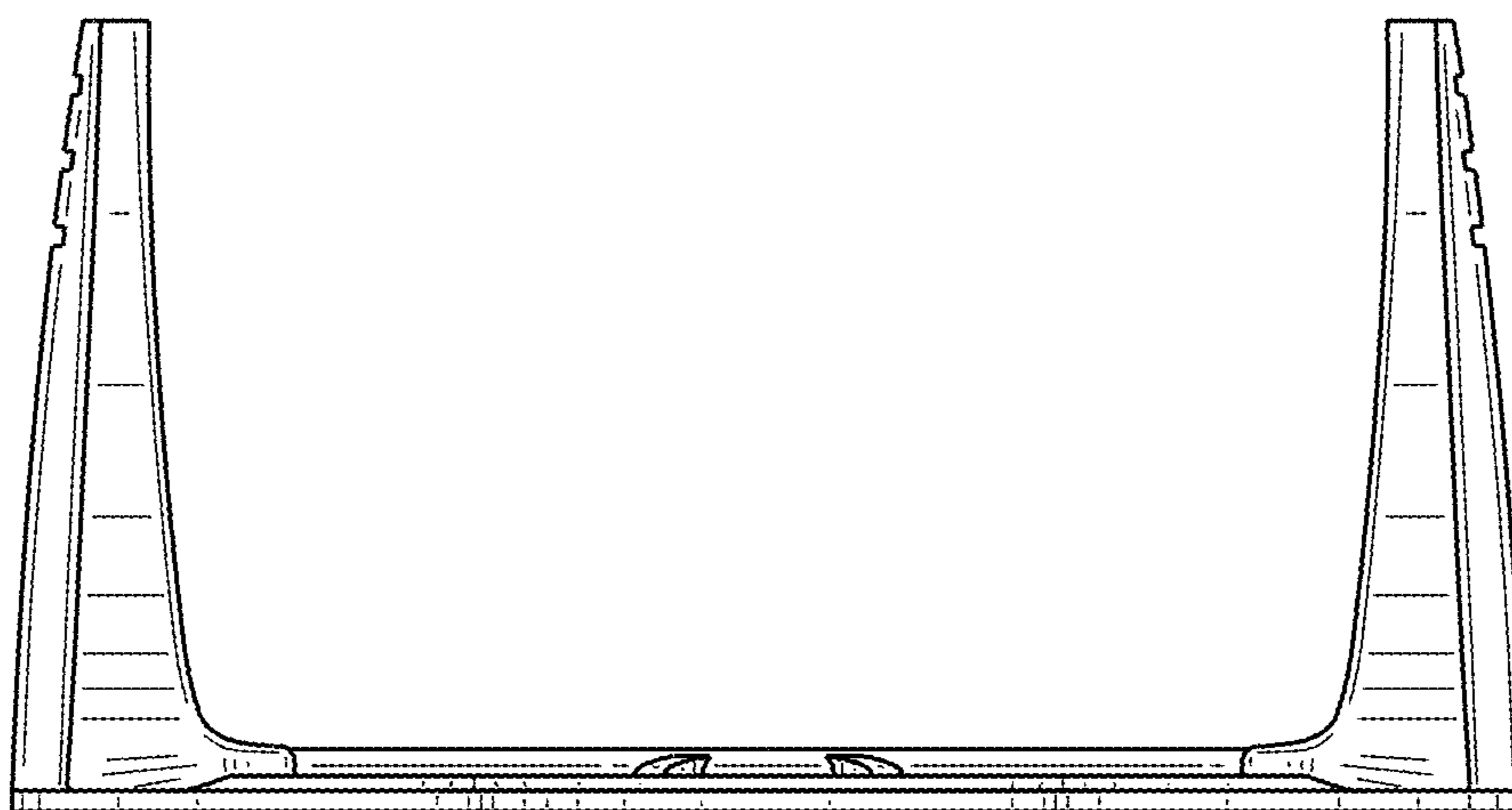


FIG. 2

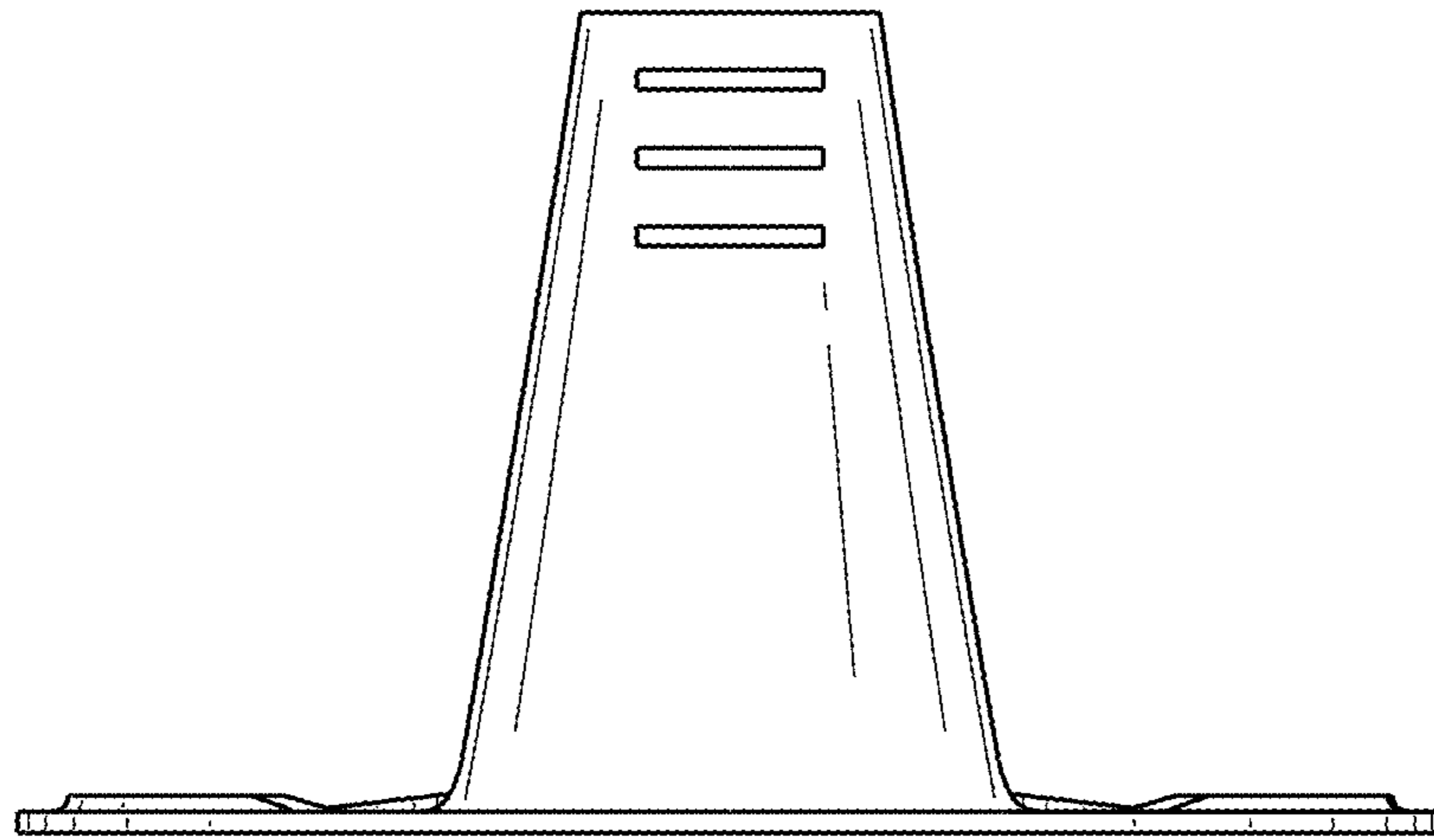


FIG. 3

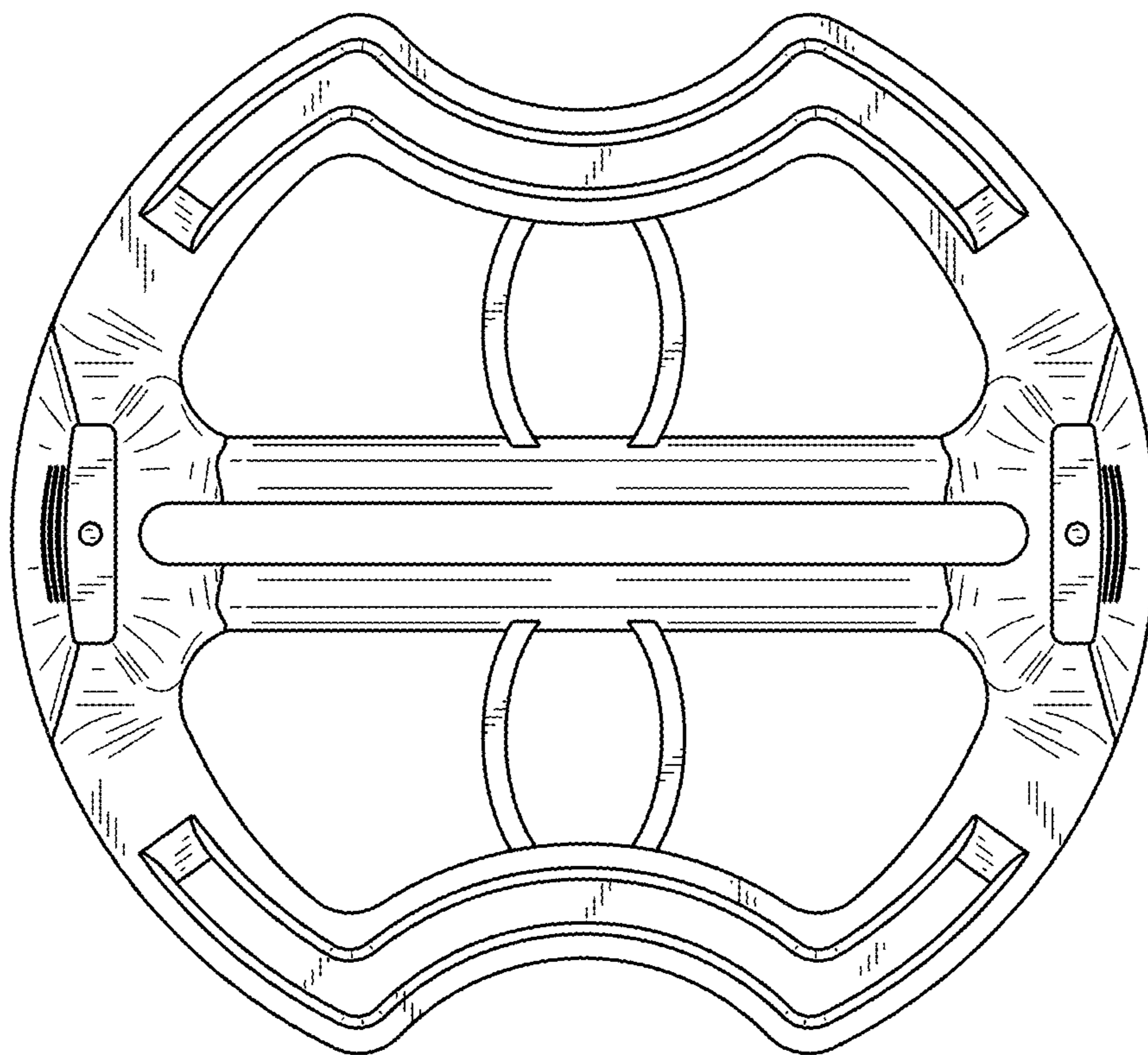


FIG. 4

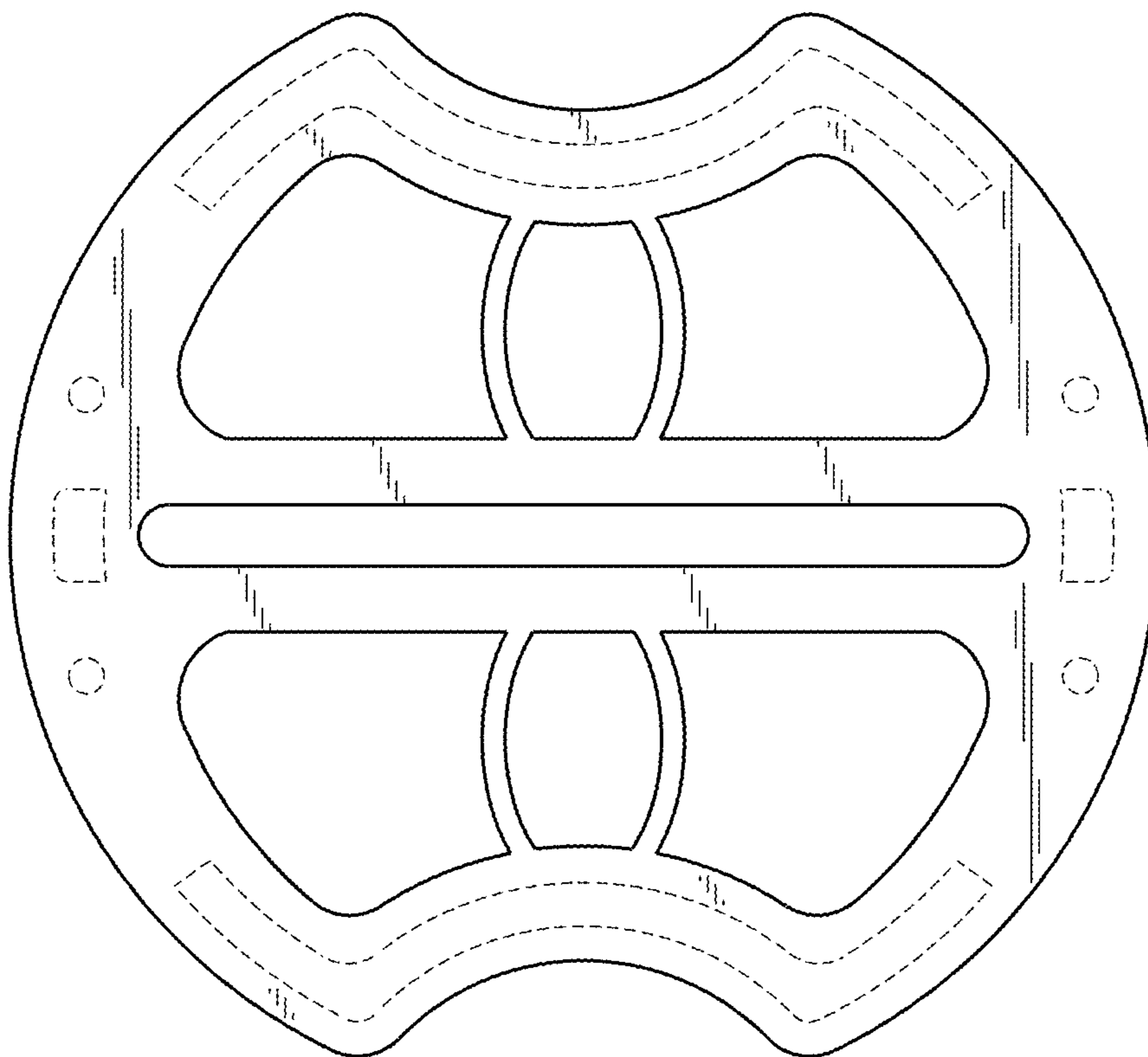


FIG. 5