



US00D817416S

(12) **United States Design Patent**
Pecorari et al.

(10) **Patent No.:** **US D817,416 S**
(45) **Date of Patent:** **** May 8, 2018**

(54) **TRANSMITTER**

(71) Applicant: **Horizon Hobby, LLC**, Champaign, IL (US)

(72) Inventors: **Mirco Pecorari**, Modena (IT); **Danny Snyder**, Monticello, IL (US); **Chris Huhn**, Mahomet, IL (US)

(73) Assignee: **Horizon Hobby, LLC**, Champaign, IL (US)

(**) Term: **15 Years**

(21) Appl. No.: **29/539,280**

(22) Filed: **Sep. 11, 2015**

(51) **LOC (11) Cl.** **21-01**

(52) **U.S. Cl.**
USPC **D21/566**

(58) **Field of Classification Search**
USPC D10/104.1; D21/566
CPC G05G 5/03; A63H 30/04
See application file for complete search history.

(56) **References Cited**

U.S. PATENT DOCUMENTS

D546,905 S * 7/2007 Arai D21/566
D650,021 S * 12/2011 Suzuki D21/566
D670,768 S * 11/2012 Isono D21/566

D740,708 S * 10/2015 Pecorari D21/566
D774,933 S * 12/2016 Pecorari D10/104.1
D794,135 S * 8/2017 Snyder D21/566
2014/0111317 A1* 4/2014 Shen A63H 30/04
340/12.22
2016/0124458 A1* 5/2016 Yamaguchi G05G 5/03
74/523

* cited by examiner

Primary Examiner — George D. Kirschbaum

(74) *Attorney, Agent, or Firm* — Baker Botts L.L.P.

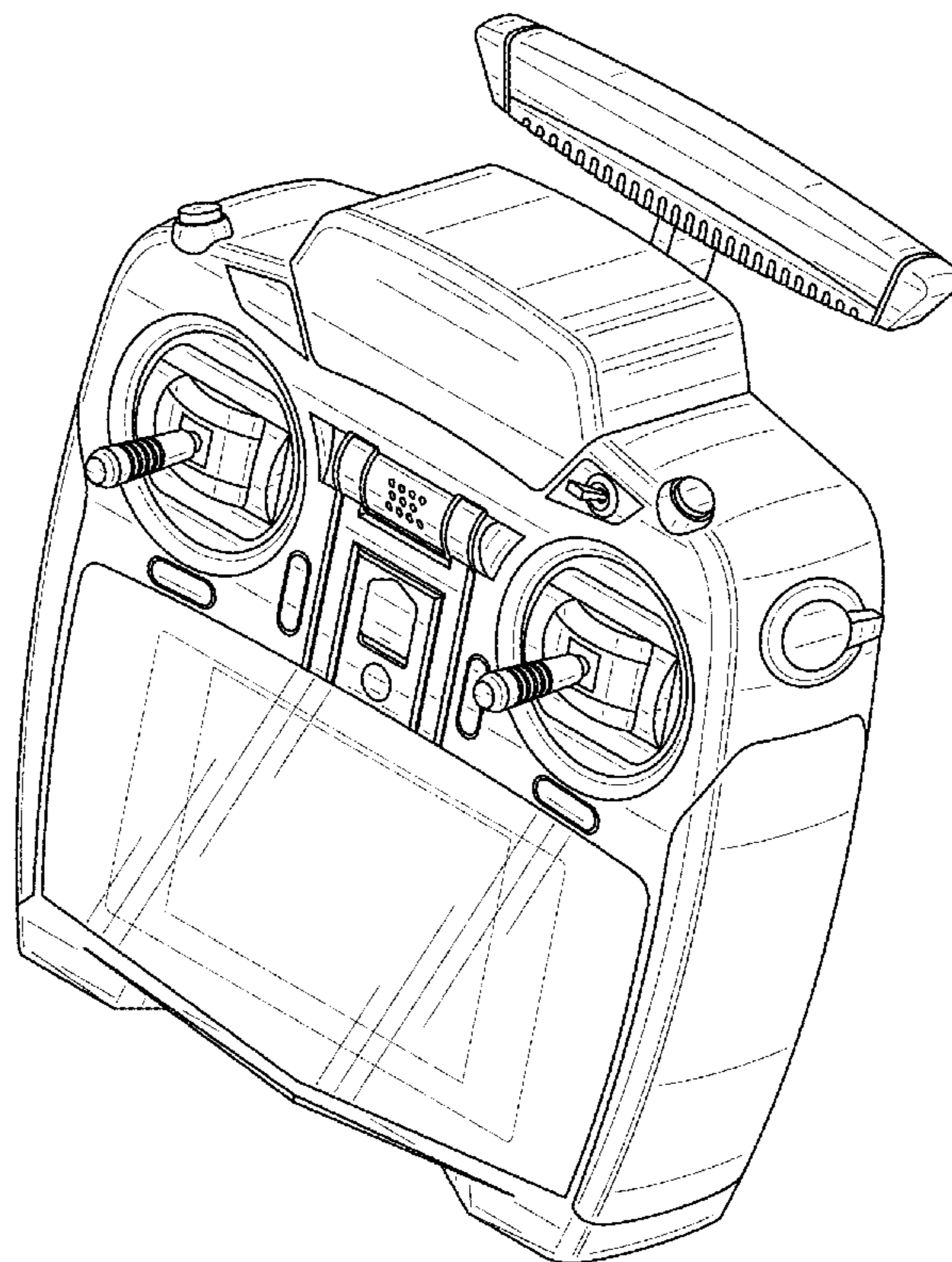
(57) **CLAIM**

The ornamental design for a transmitter, as shown and described.

DESCRIPTION

FIG. 1 is a perspective view of a transmitter, according to a first embodiment of my new design;
FIG. 2 is a front view of FIG. 1;
FIG. 3 is a back view of FIG. 1;
FIG. 4 is a left view of FIG. 1;
FIG. 5 is a right view of FIG. 1;
FIG. 6 is a top view of FIG. 1;
FIG. 7 is a bottom view of FIG. 1;
FIG. 8 is a front view of FIG. 1, further illustrating an extendable display portion; and,
FIG. 9 is a right view of FIG. 1, further illustrating an extendable display portion.
The broken lines illustrate portions of the drawings that form no part of the claimed design.

1 Claim, 7 Drawing Sheets



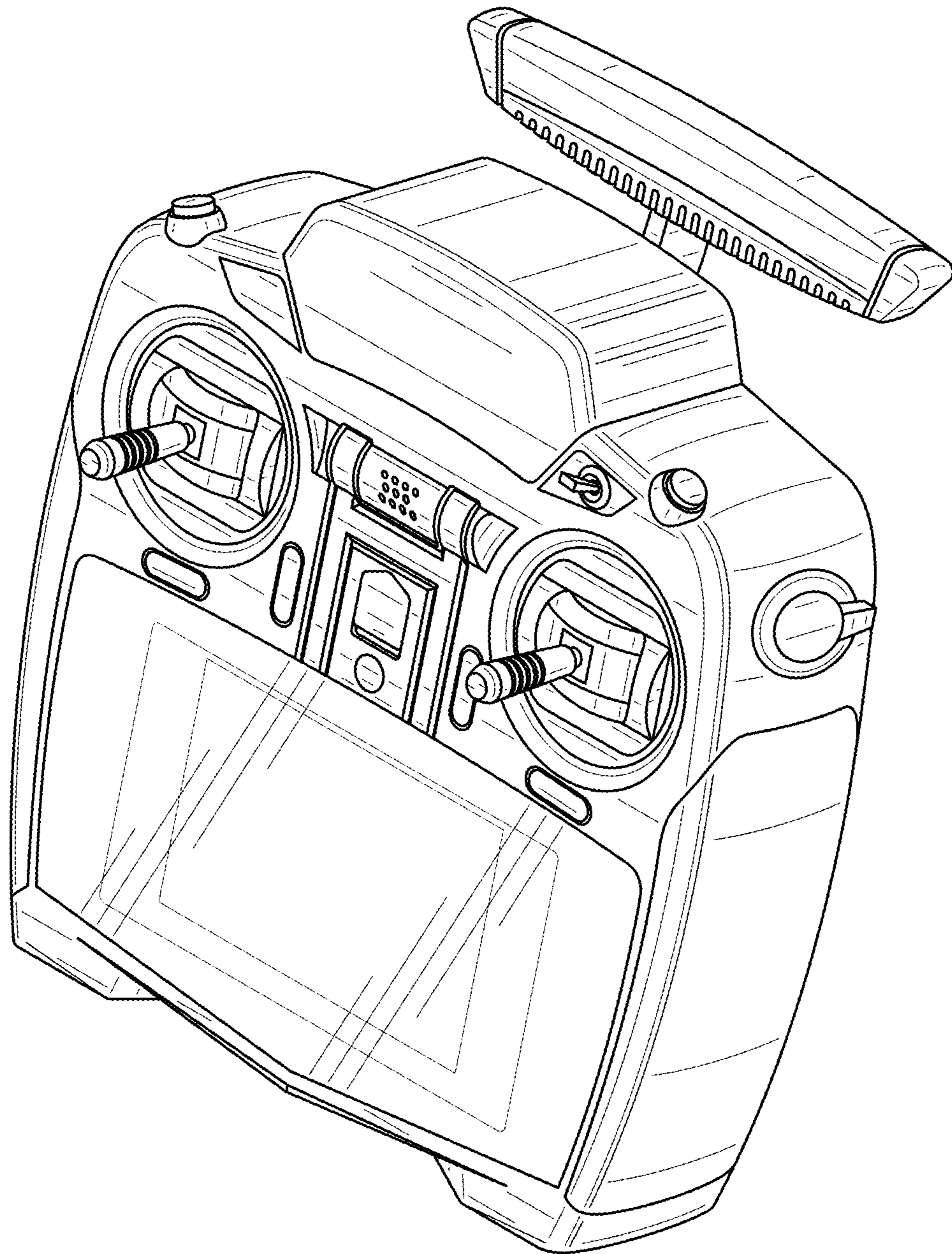


FIG. 1

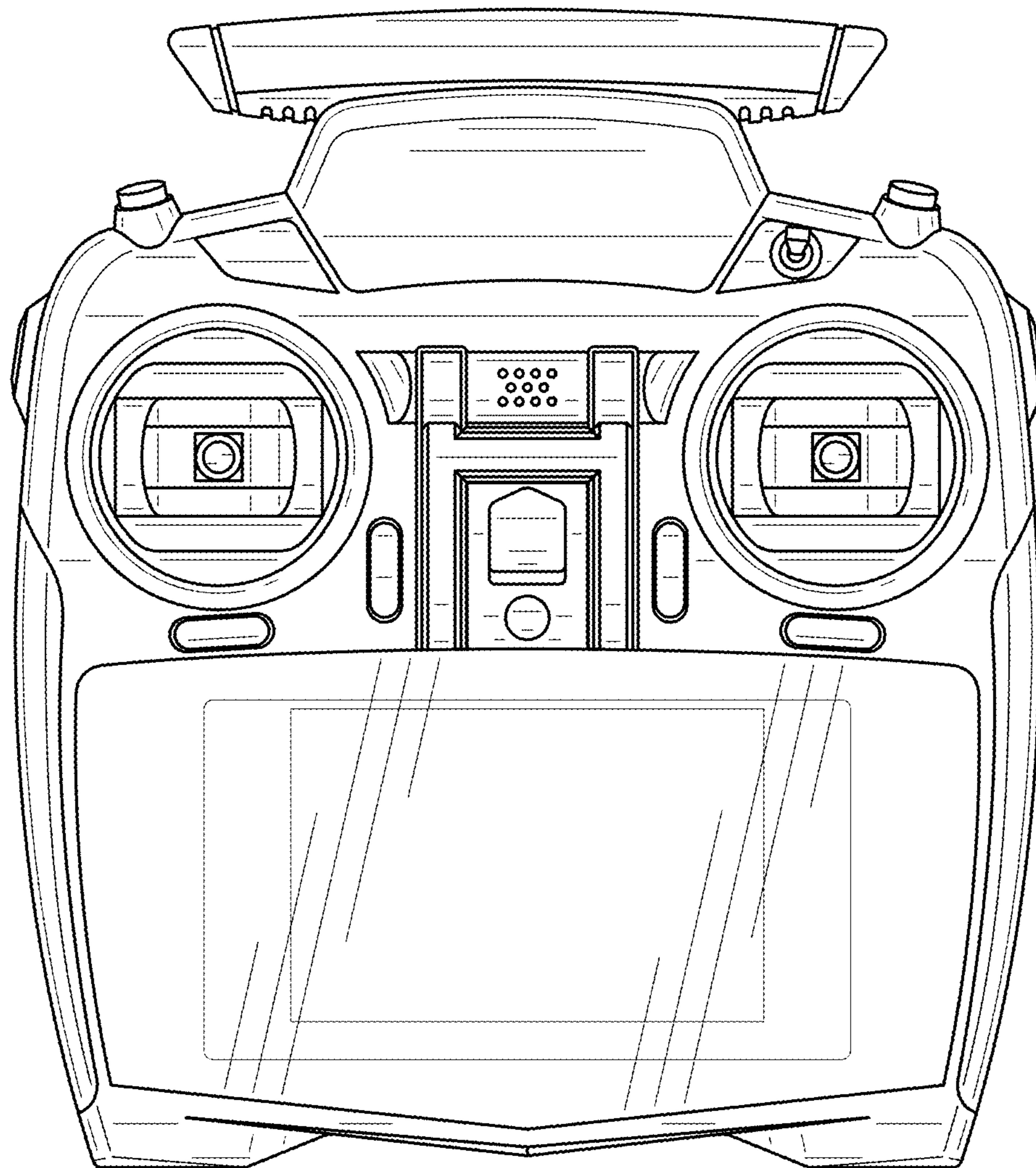


FIG. 2

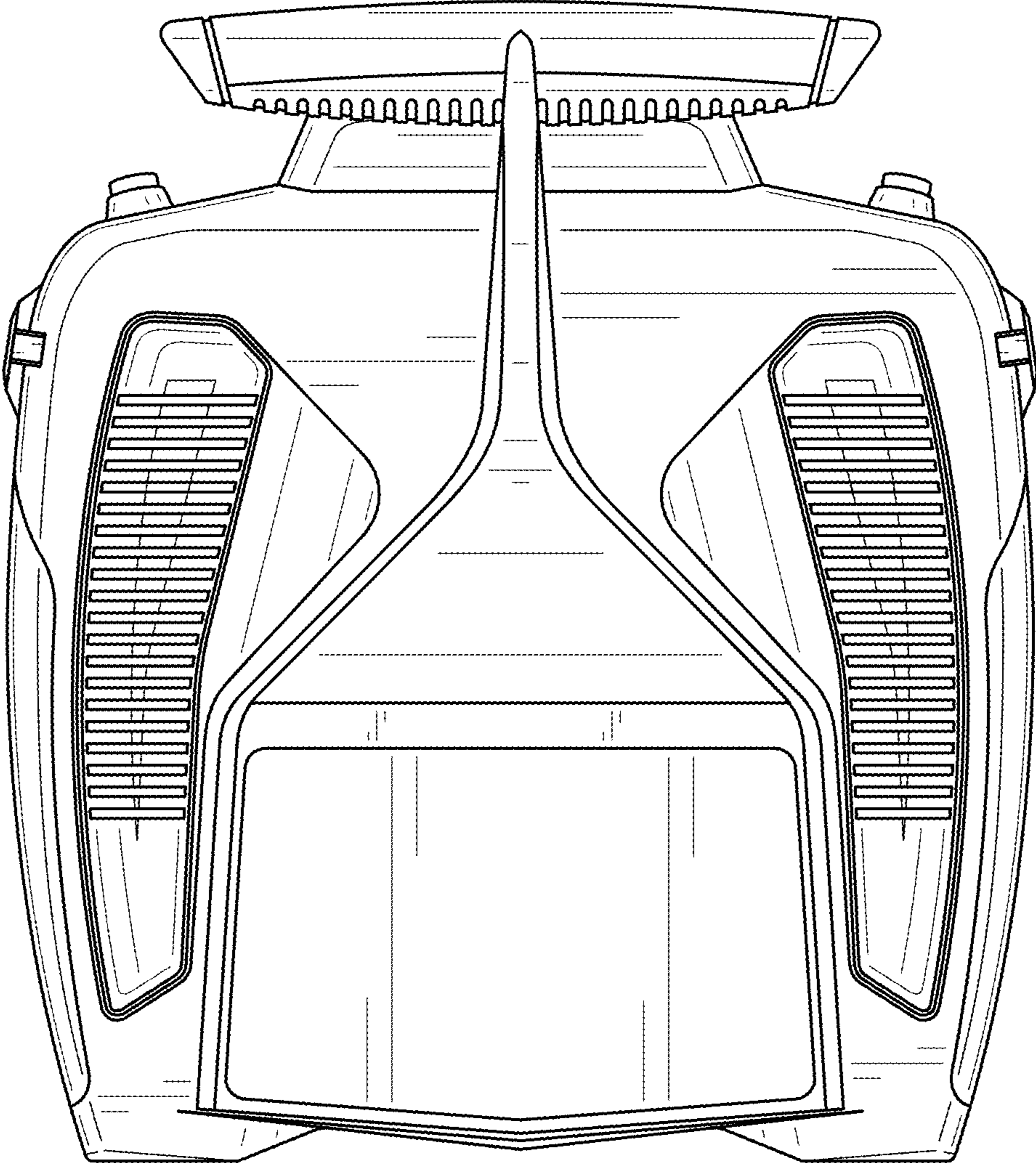


FIG. 3

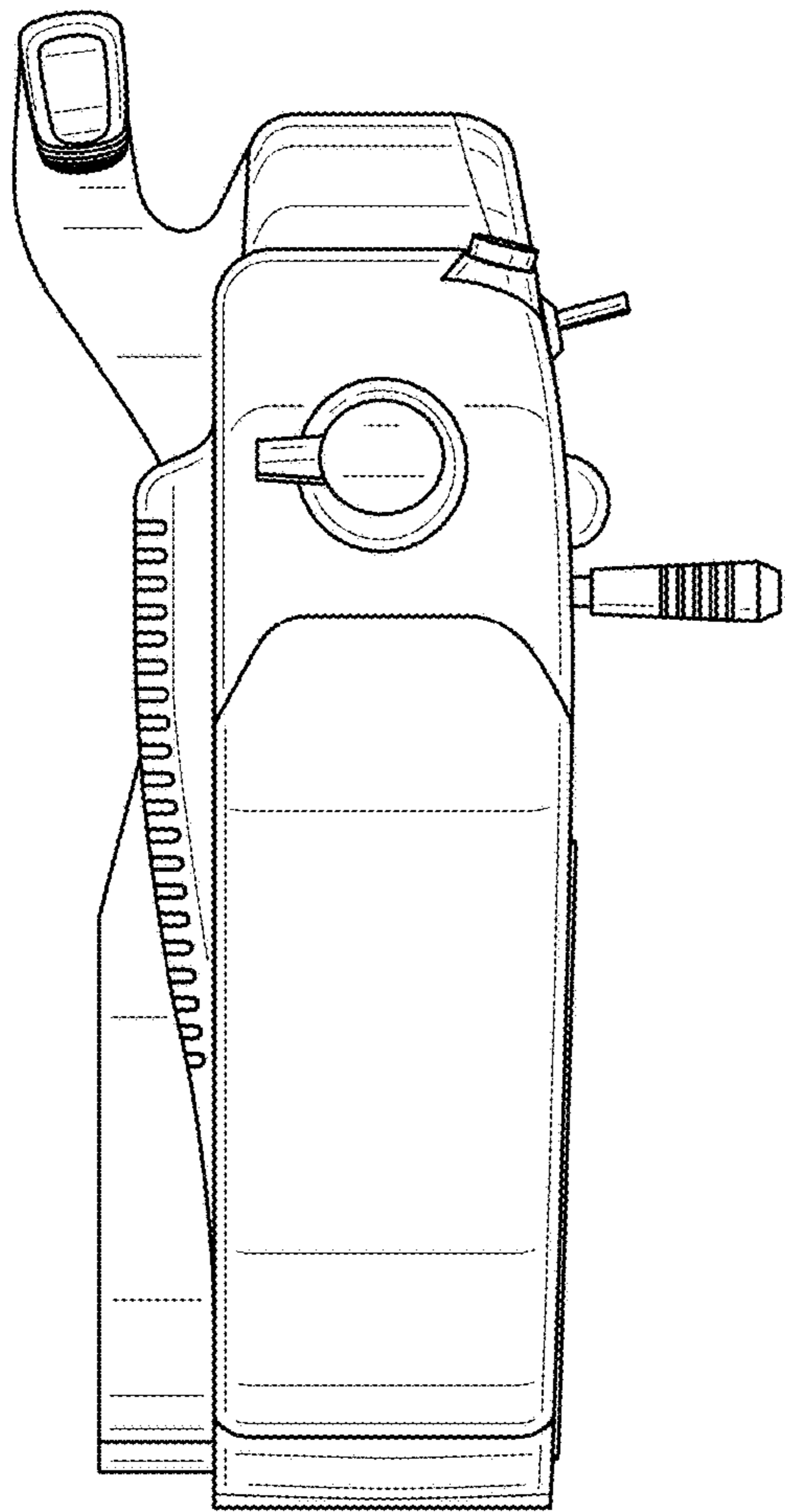


FIG. 4

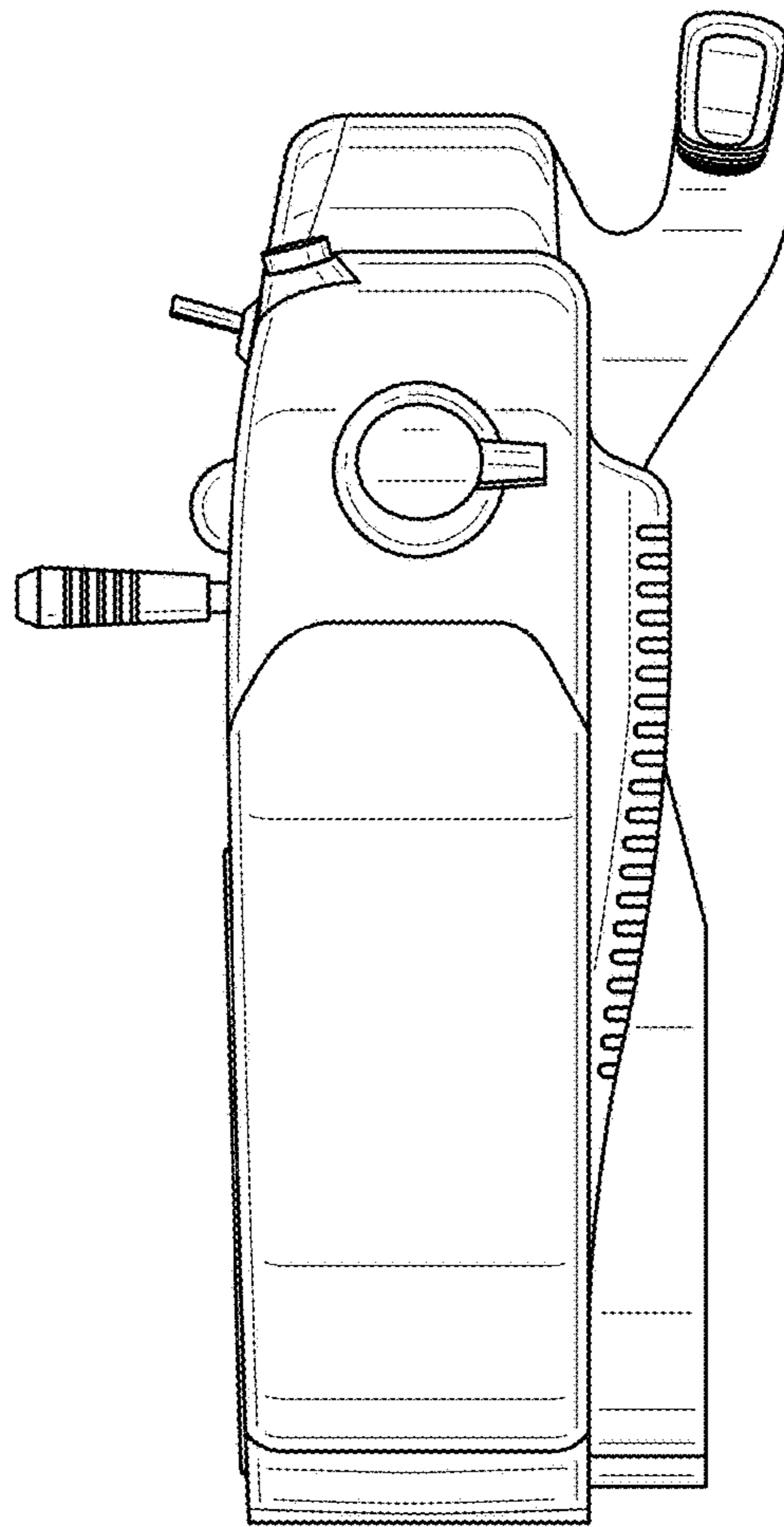


FIG. 5

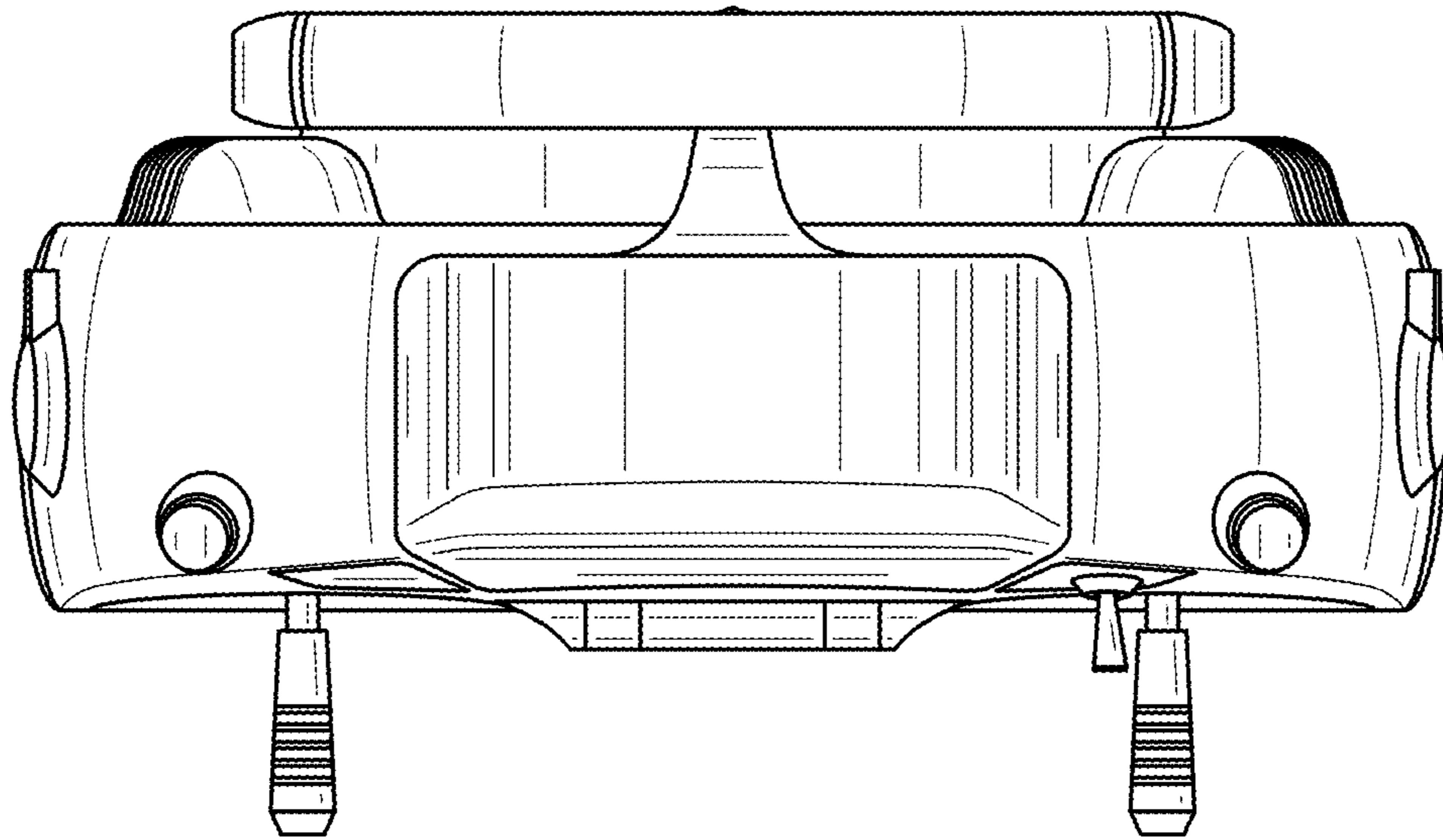


FIG. 6

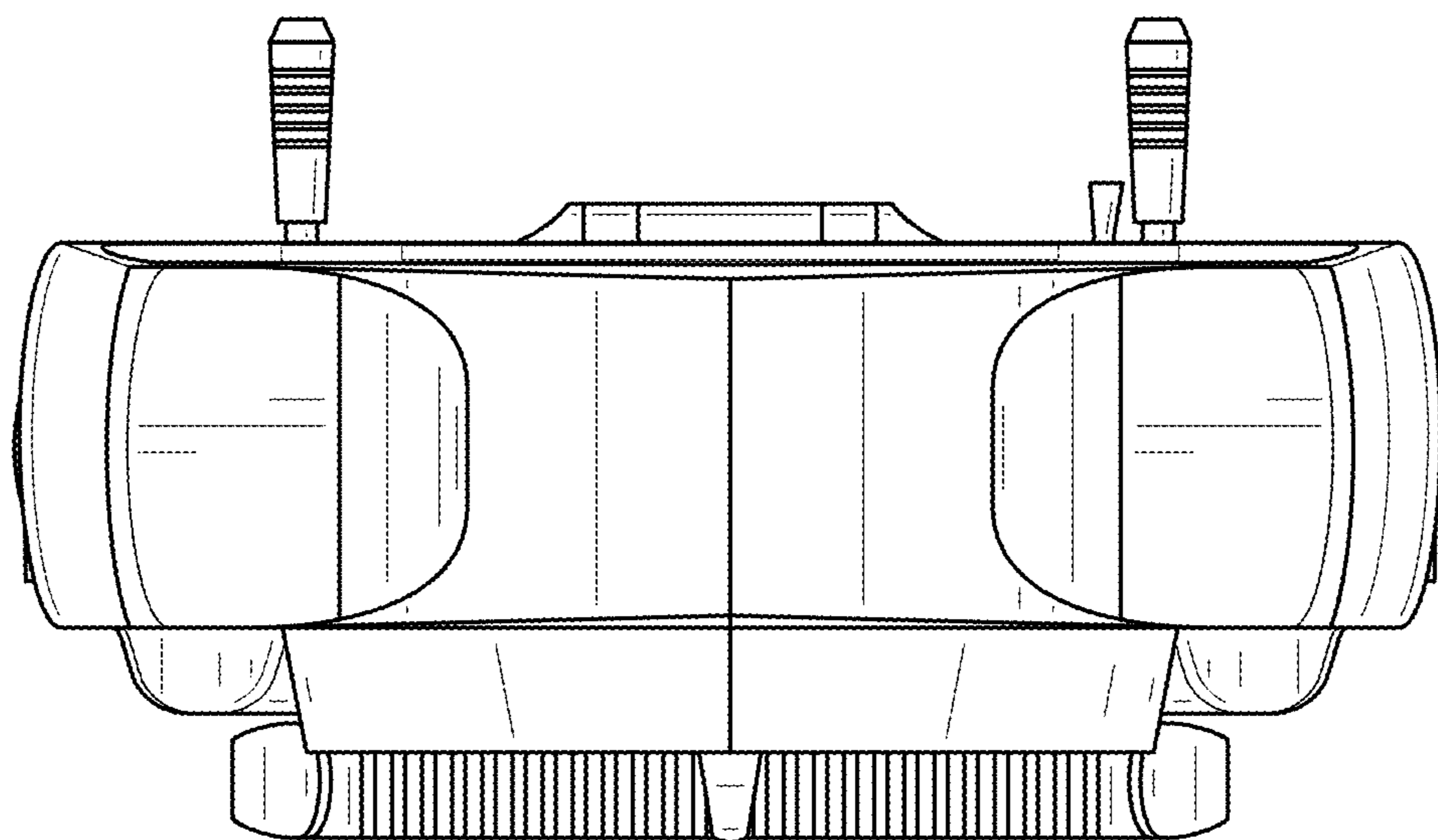


FIG. 7

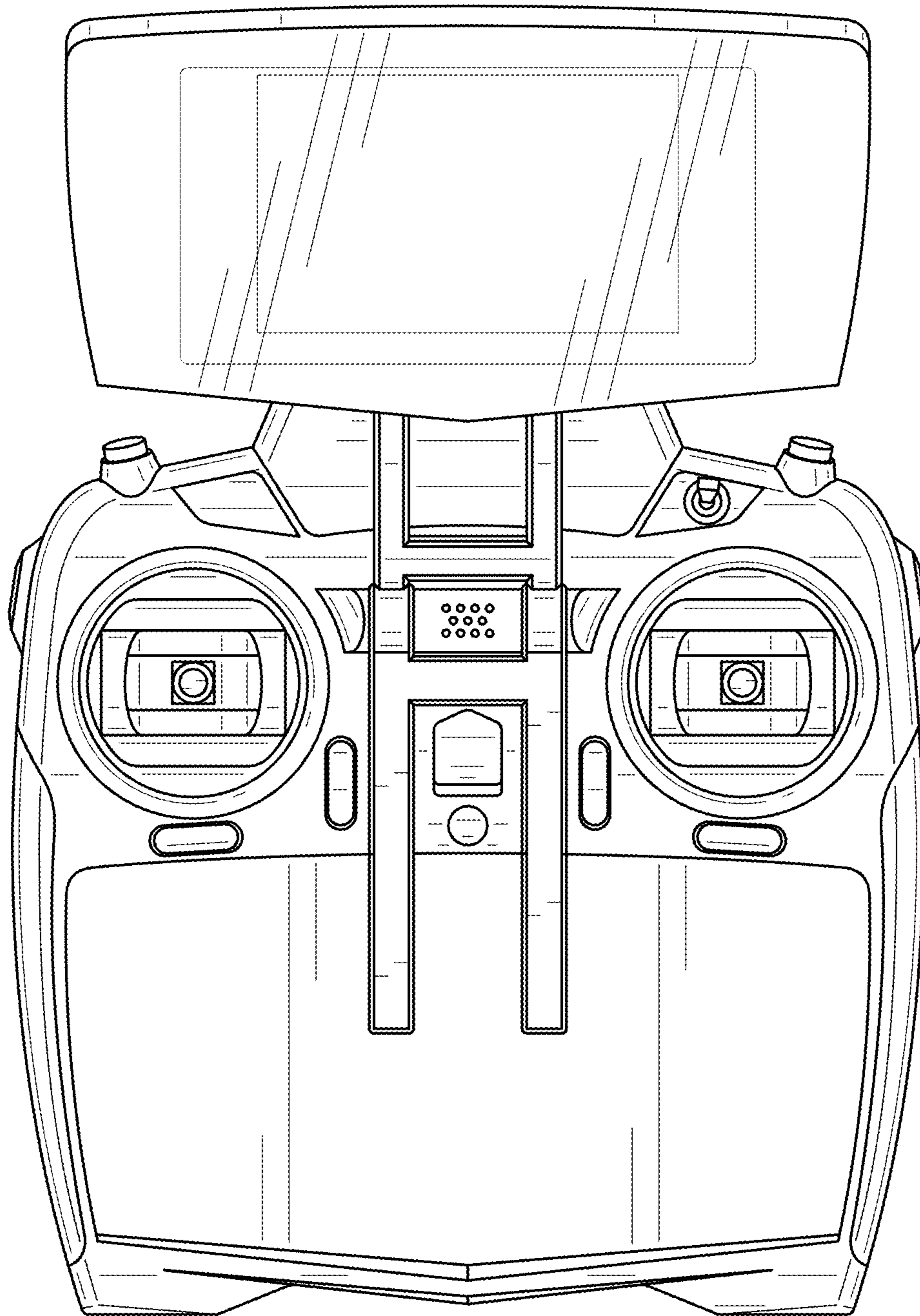


FIG. 8

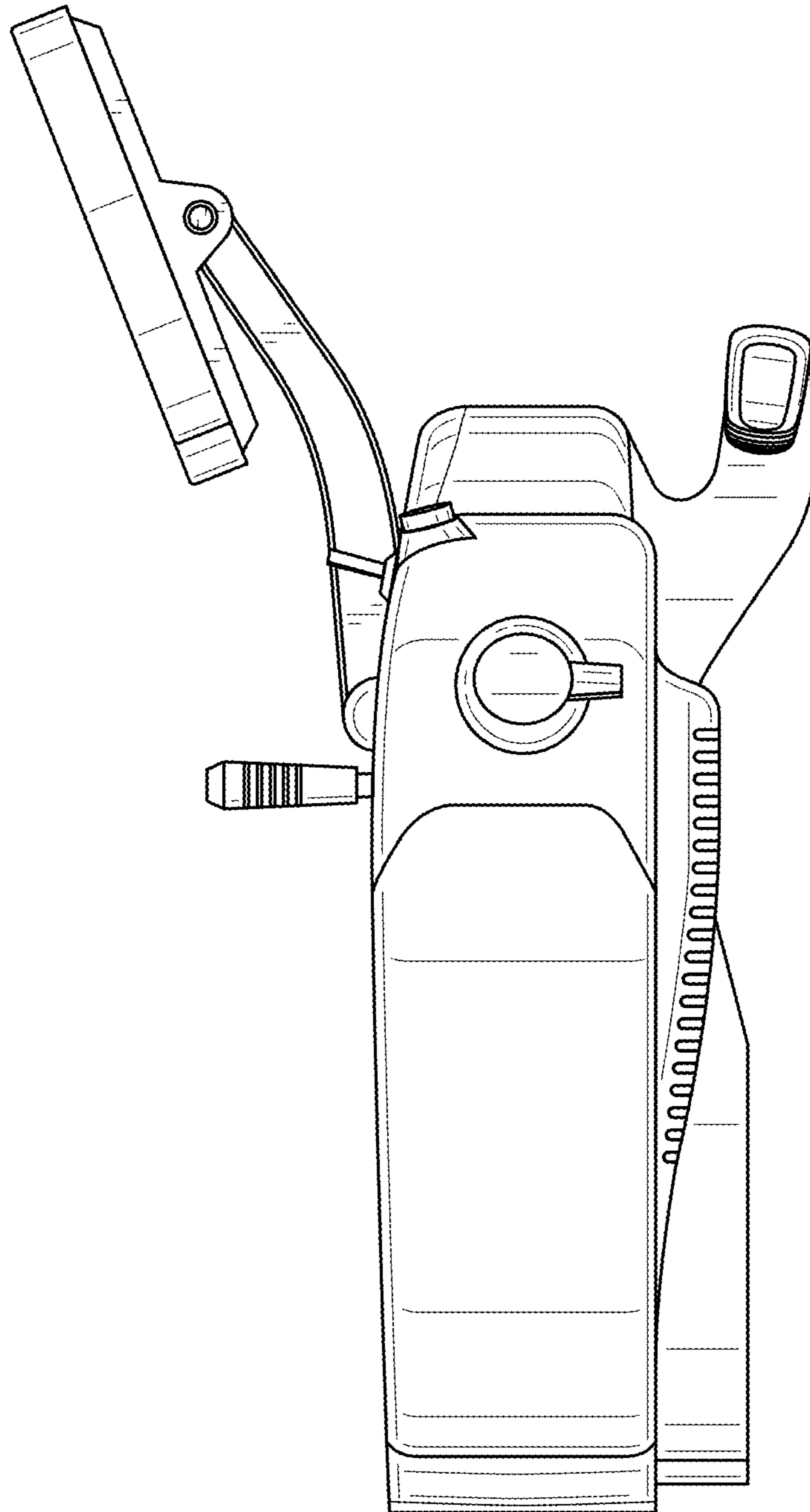


FIG. 9