



US00D817415S

(12) **United States Design Patent** (10) **Patent No.:** **US D817,415 S**
Flores (45) **Date of Patent:** **** May 8, 2018**

(54) **CHILDREN'S TOY**
(71) Applicant: **KIDS, II, INC.**, Atlanta, GA (US)
(72) Inventor: **Milton Aaron Flores**, Cambridge, MA (US)
(73) Assignee: **KIDS II, INC.**, Atlanta, GA (US)
(**) Term: **15 Years**
(21) Appl. No.: **29/607,685**
(22) Filed: **Jun. 15, 2017**
(51) **LOC (11) Cl.** **21-01**
(52) **U.S. Cl.**
USPC **D21/559**
(58) **Field of Classification Search**
USPC D21/419, 431, 434, 533, 548, 552-561, D21/579-581
CPC A63H 17/00; A63H 17/05; A63H 17/055; A63H 17/06; A63H 17/12; A63H 33/003
See application file for complete search history.

(56) **References Cited**
U.S. PATENT DOCUMENTS
D227,282 S * 6/1973 Schreckengost D21/434
D230,174 S * 1/1974 Pimentel D21/559
D248,119 S * 6/1978 Nix D21/559
D258,458 S * 3/1981 Pape D21/554
D280,115 S * 8/1985 Takeuchi D21/558
D289,309 S * 4/1987 Wilkes D21/554
D302,573 S * 8/1989 Blankenship D21/559
D363,323 S * 10/1995 Thomsen D21/559
D384,998 S * 10/1997 Høst D21/559
D450,785 S * 11/2001 Walls D21/552
6,729,984 B2 5/2004 Silvergate

D552,692 S * 10/2007 Stern D21/554
D567,885 S * 4/2008 Amadio D21/559
8,052,552 B2 11/2011 Silvergate
8,282,518 B2 10/2012 Silvergate et al.
8,764,511 B2 7/2014 Verbera et al.
8,932,101 B2 1/2015 Silvergate et al.
9,101,535 B2 8/2015 Silvergate et al.
D751,154 S * 3/2016 Oligny-Lemieux D21/555
2009/0170643 A1 7/2009 Silvergate
2015/0297955 A1 10/2015 Silvergate et al.
2016/0051862 A1 2/2016 Silvergate et al.

* cited by examiner

Primary Examiner — Cynthia M Chin
(74) *Attorney, Agent, or Firm* — Gardner Groff Greenwald & Villanueva, PC

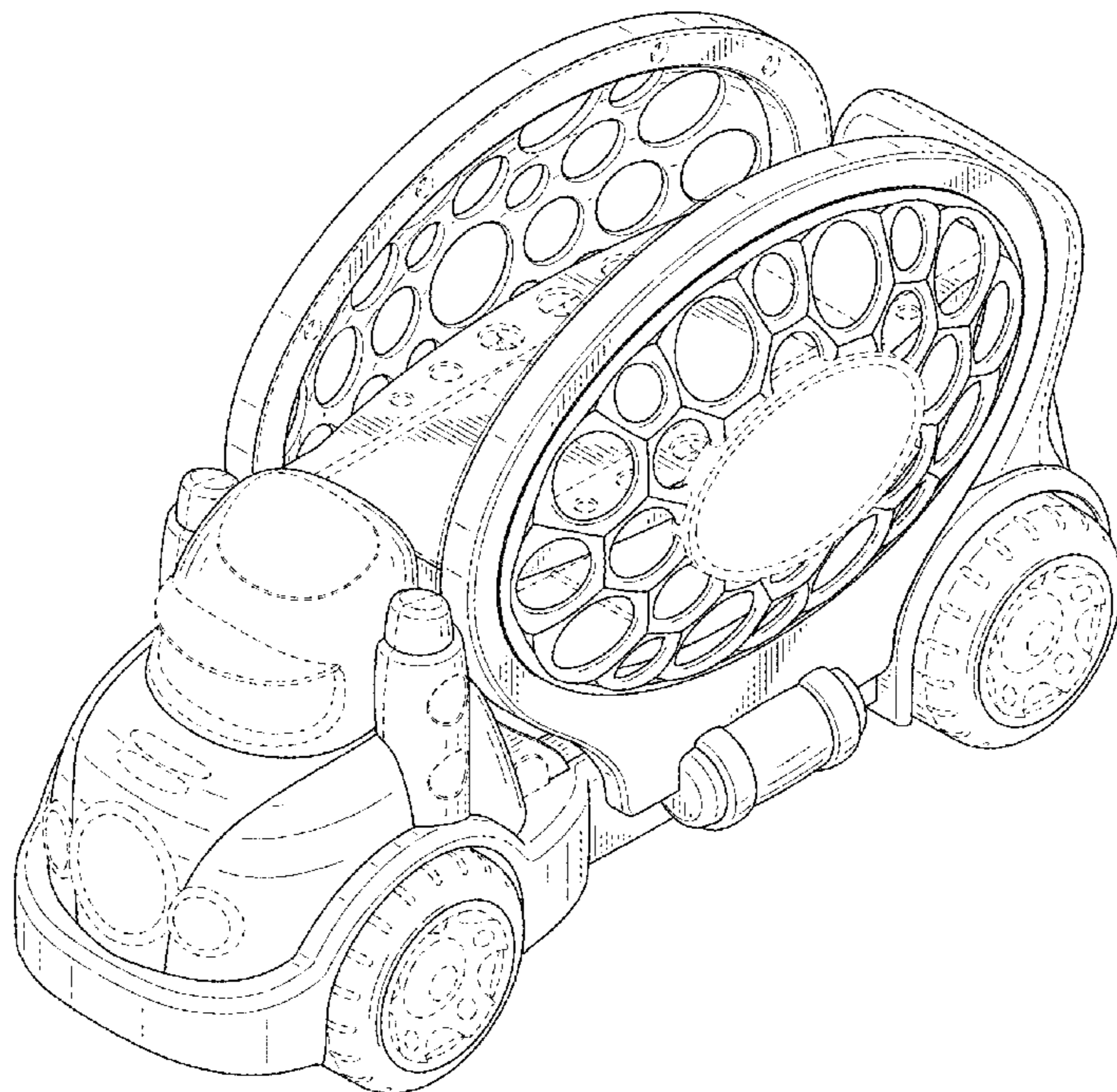
(57) **CLAIM**

The ornamental design for a children's toy, substantially as shown and described.

DESCRIPTION

FIG. 1 is a top perspective view of a children's toy, according to the design;
FIG. 2 is a bottom perspective view of the children's toy of FIG. 1;
FIG. 3 is a front view of the children's toy of FIG. 1;
FIG. 4 is a rear view of the children's toy of FIG. 1;
FIG. 5 is a right side view of the children's toy of FIG. 1;
FIG. 6 is a left side view of the children's toy of FIG. 1;
FIG. 7 is a top view of the children's toy of FIG. 1; and,
FIG. 8 is a bottom view of the children's toy of FIG. 1.
The broken lines shown are included for the purpose of illustrating portions of the article which form no part of the claimed design.

1 Claim, 5 Drawing Sheets



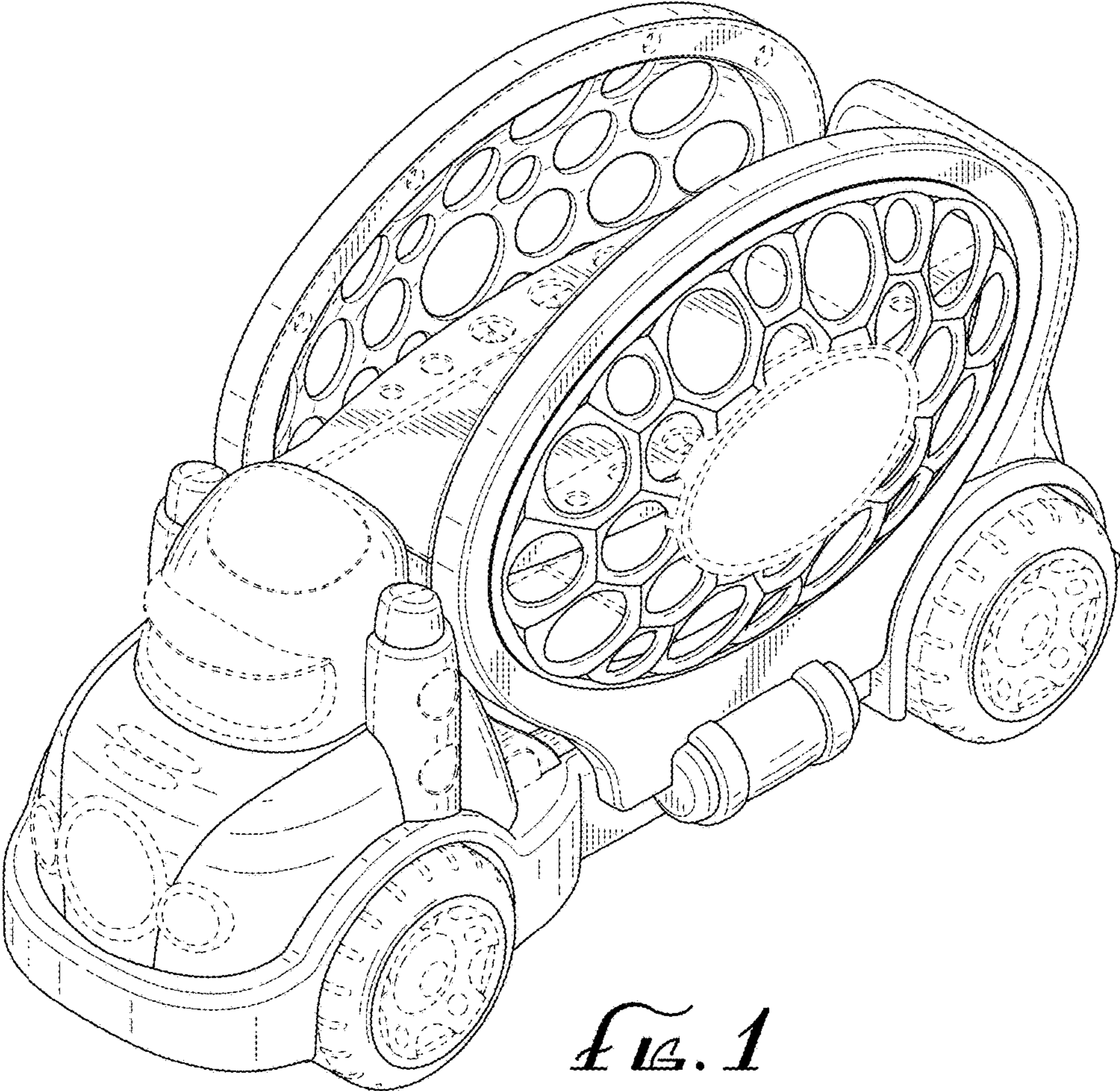


FIG. 1

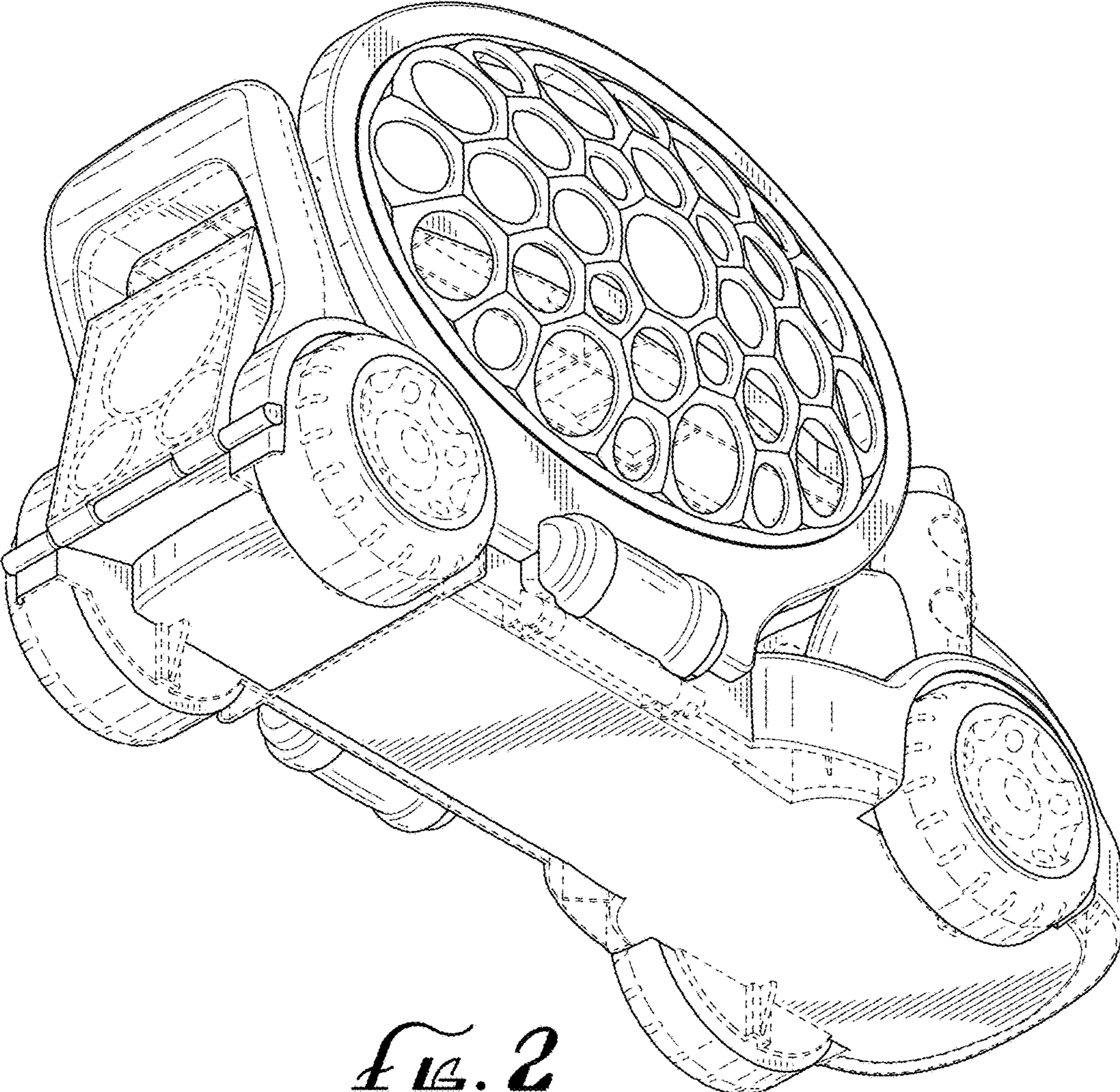


FIG. 2

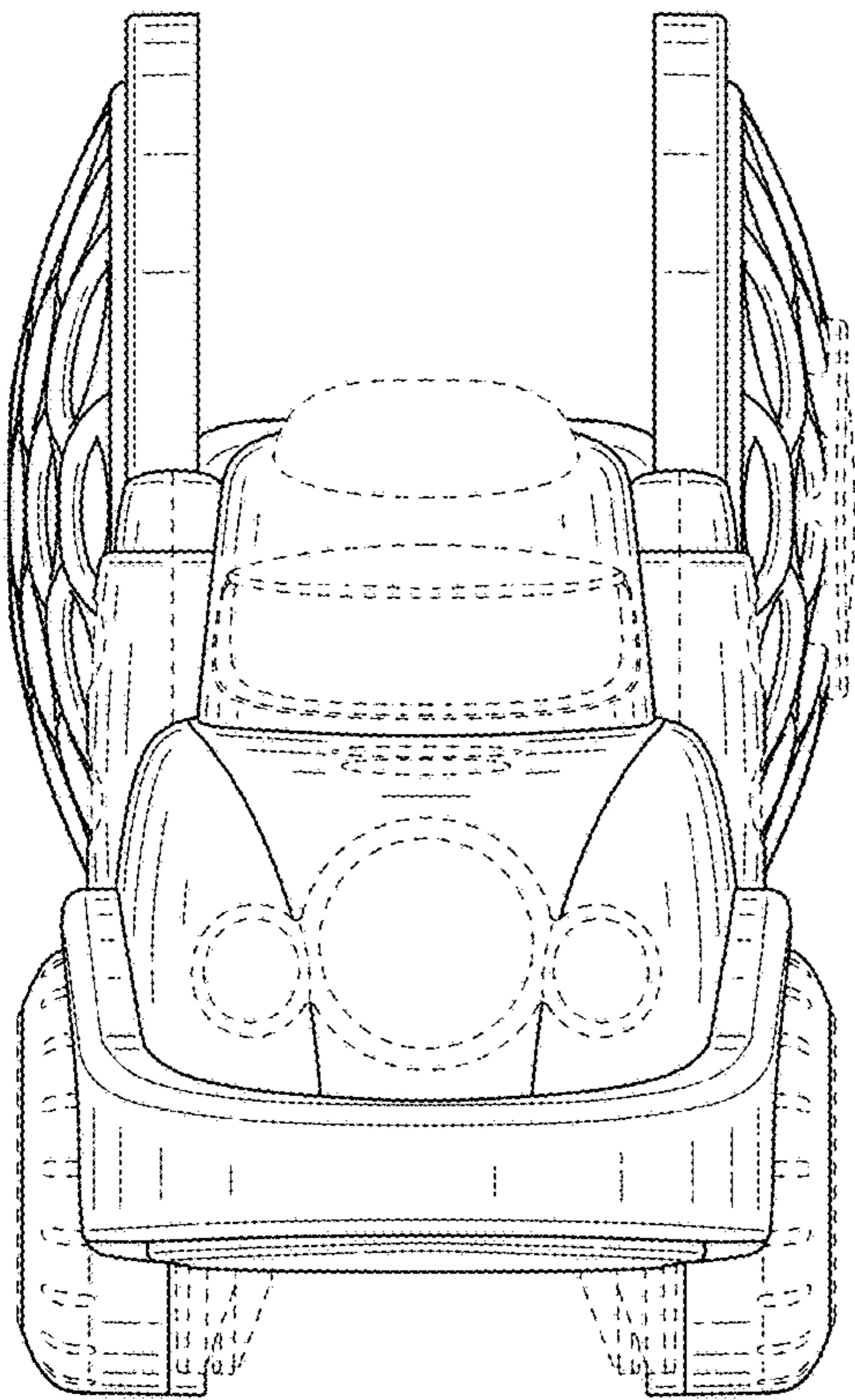


FIG. 3

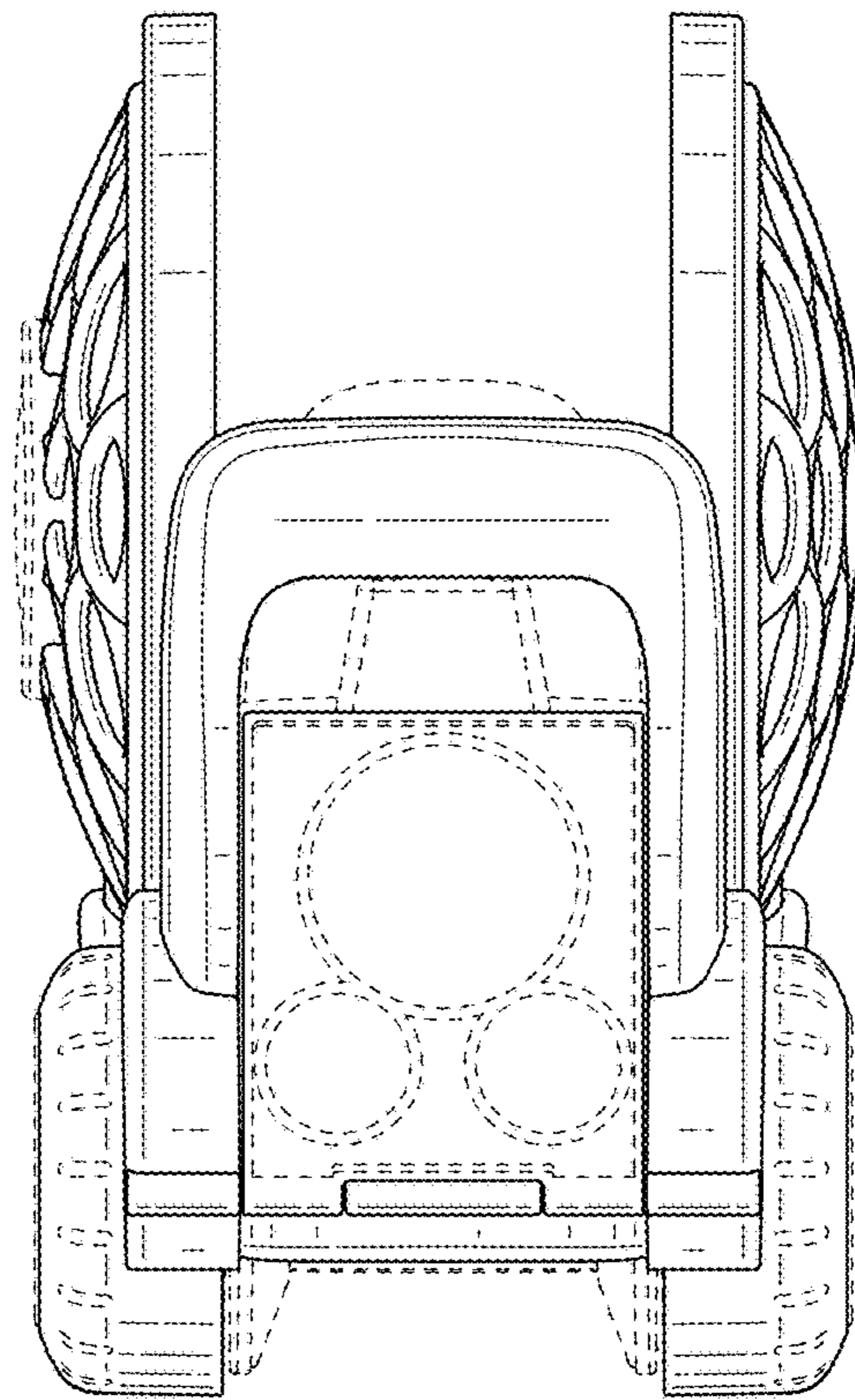


FIG. 4

FIG. 5

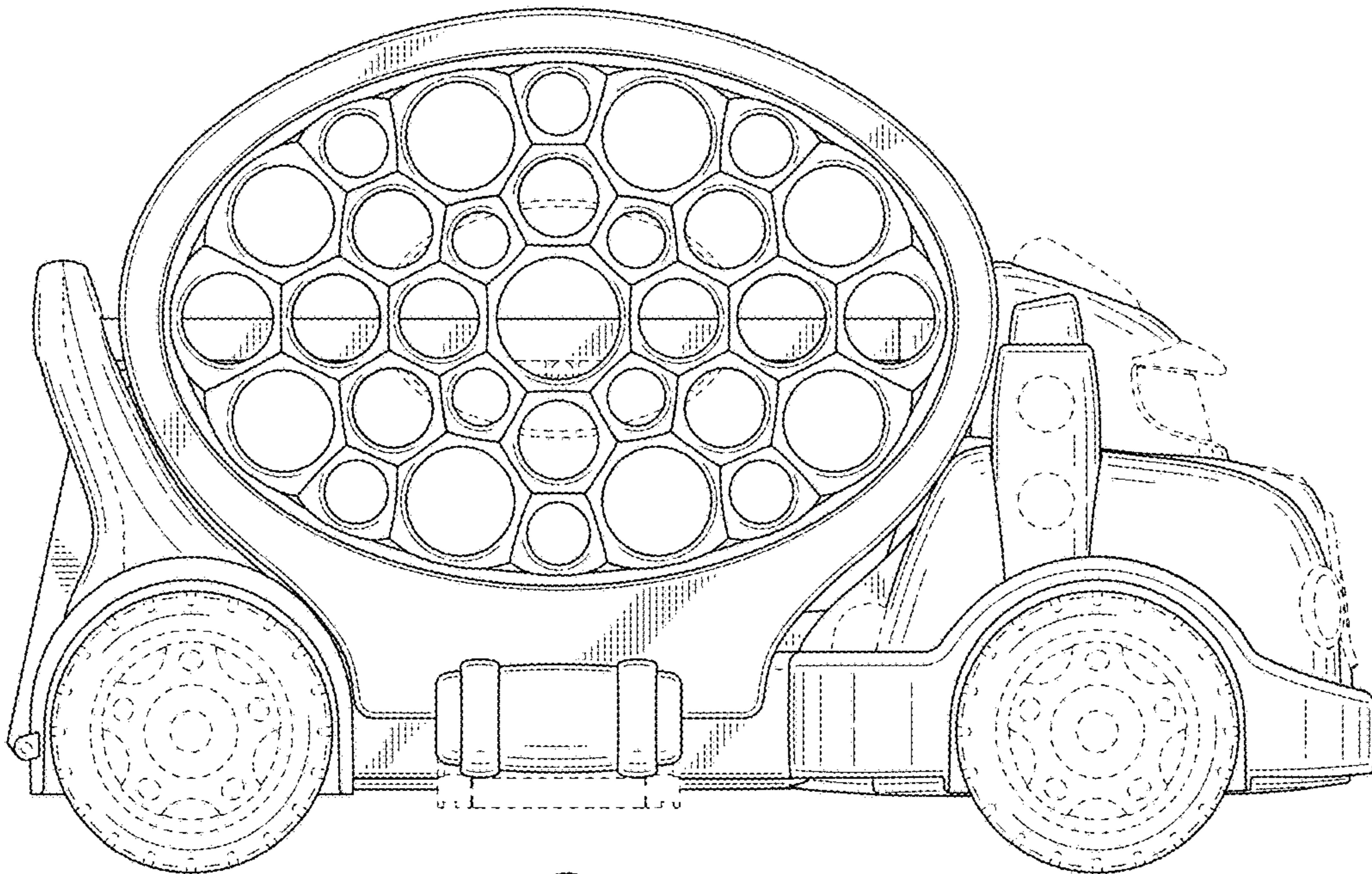
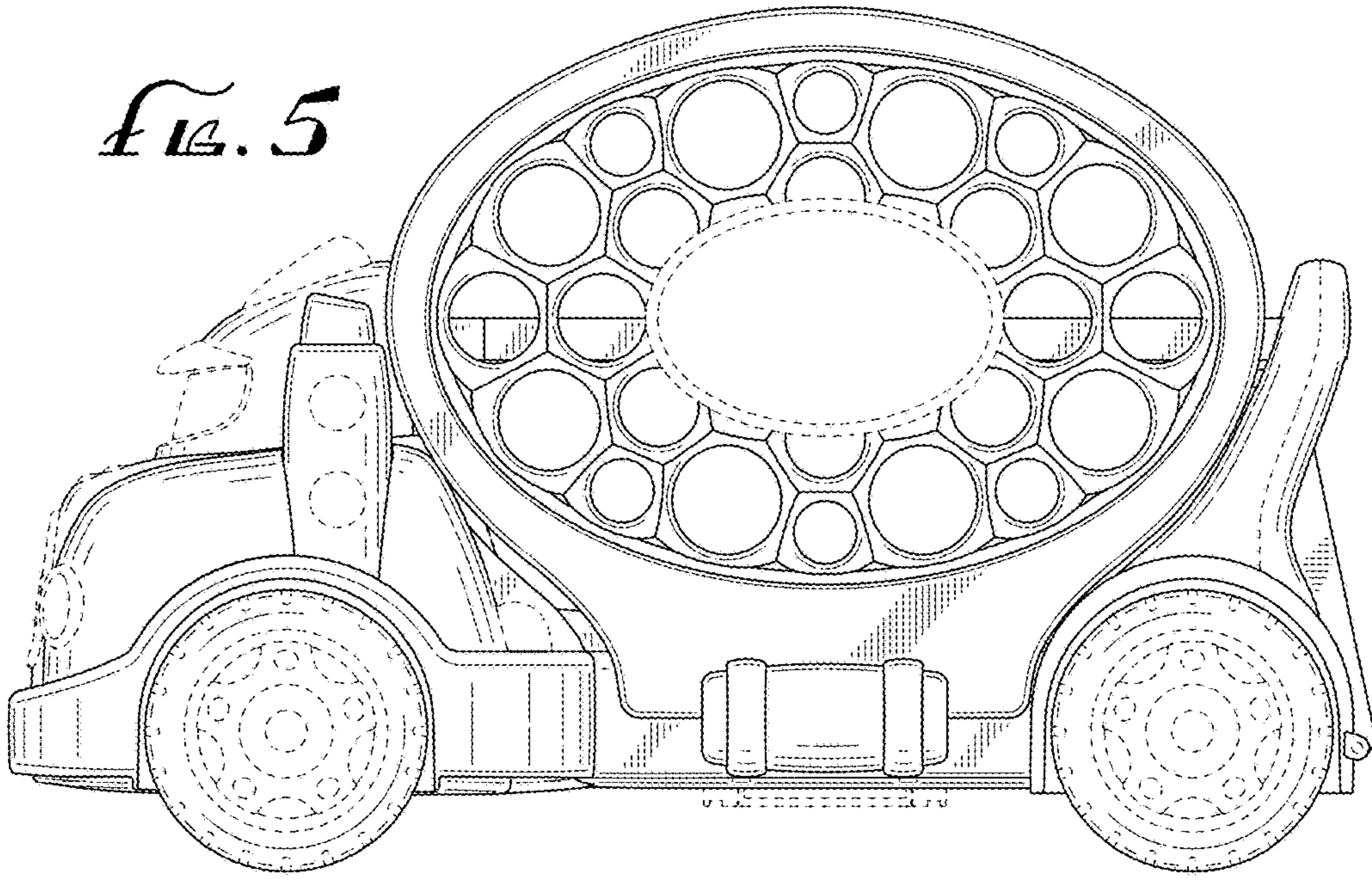


FIG. 6

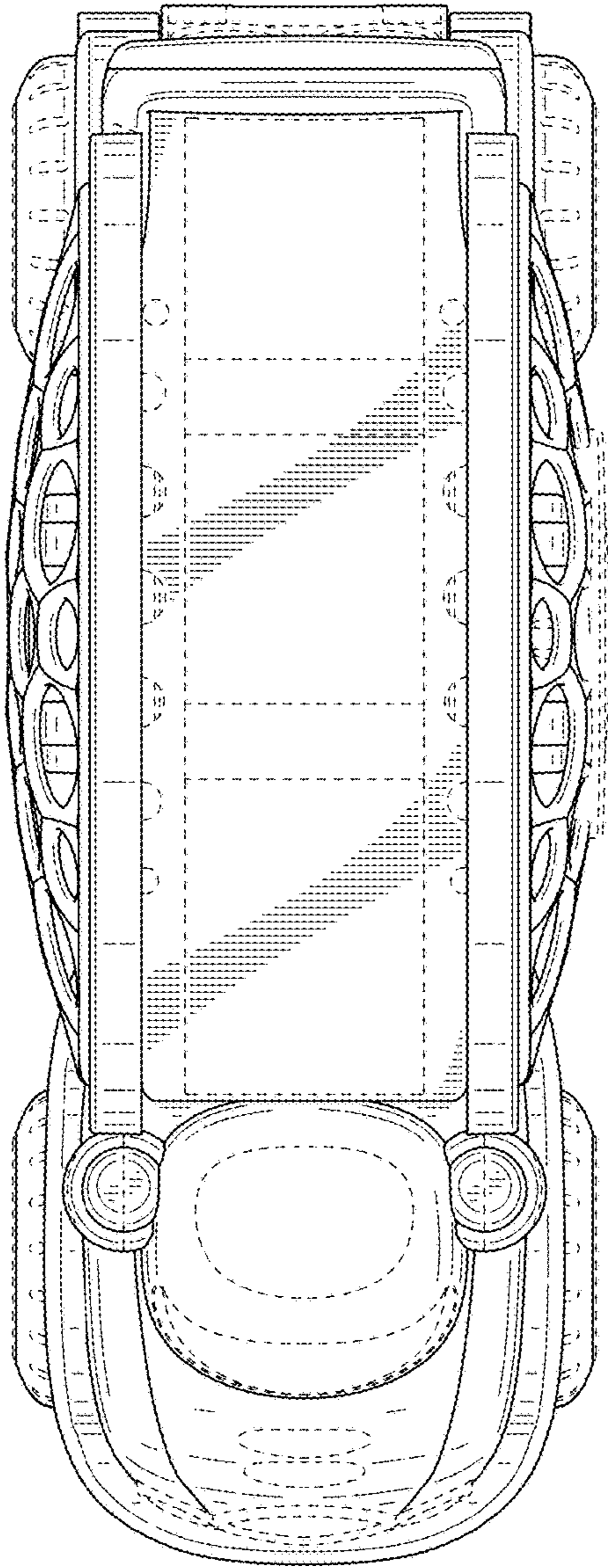


FIG. 7

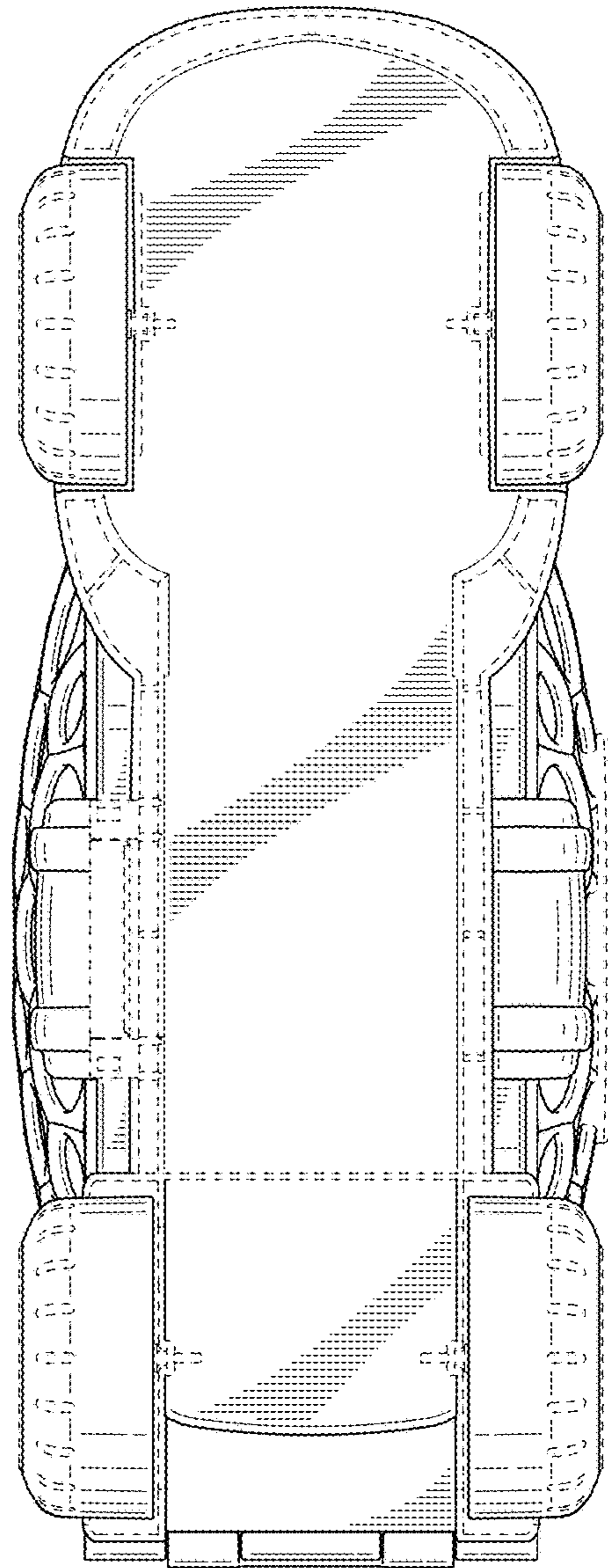


FIG. 8