



US00D817414S

(12) **United States Design Patent**  
**Flores**

(10) **Patent No.:** **US D817,414 S**  
(45) **Date of Patent:** **\*\* May 8, 2018**

- (54) **CHILDREN'S TOY**
- (71) Applicant: **KIDS II, INC.**, Atlanta, GA (US)
- (72) Inventor: **Milton Aaron Flores**, Cambridge, MA (US)
- (73) Assignee: **KIDS II, INC.**, Atlanta, GA (US)
- (\*\*) Term: **15 Years**
- (21) Appl. No.: **29/607,642**
- (22) Filed: **Jun. 15, 2017**
- (51) **LOC (11) Cl.** ..... **21-01**
- (52) **U.S. Cl.**  
USPC ..... **D21/556**
- (58) **Field of Classification Search**  
USPC ..... D21/433, 434, 533, 537, 539, 552-557,  
D21/561, 562; D12/14, 15  
CPC ..... A63H 17/00; A63H 17/05; A63H 17/12  
See application file for complete search history.

(56) **References Cited**

**U.S. PATENT DOCUMENTS**

- 2,810,984 A \* 10/1957 Gokey ..... A63H 17/12  
254/264
- D192,171 S \* 2/1962 Alvaney ..... D12/14
- D211,808 S \* 7/1968 Genin ..... D21/556
- 3,492,757 A \* 2/1970 Balthazor ..... A63H 17/12  
446/426
- 3,643,372 A \* 2/1972 Nash ..... A63H 17/12  
446/425
- 3,653,147 A \* 4/1972 Zbikowski ..... A63H 17/12  
446/425
- D226,014 S \* 1/1973 Ogasawara ..... D21/556
- 3,738,057 A \* 6/1973 Ogasawara ..... A63H 17/12  
446/425
- D230,414 S \* 2/1974 Salmon ..... D21/556
- D257,368 S \* 10/1980 Breneman ..... D21/556

- D258,974 S \* 4/1981 Samuels ..... D21/556
- D272,929 S \* 3/1984 Hilko ..... D21/556
- D280,431 S \* 9/1985 Tapdrup ..... D21/495
- D284,682 S \* 7/1986 Dorelli ..... D21/556
- D293,342 S \* 12/1987 Thomson ..... D21/556
- D312,489 S \* 11/1990 Bromso ..... D21/561
- D329,067 S \* 9/1992 Skov ..... D21/484
- D329,473 S \* 9/1992 Pagel ..... D21/495
- D333,684 S \* 3/1993 Revell ..... D21/556
- D419,619 S \* 1/2000 Wei ..... D21/556
- 6,729,984 B2 5/2004 Silvergate
- 8,052,552 B2 11/2011 Silvergate
- 8,282,518 B2 10/2012 Silvergate et al.
- D693,886 S \* 11/2013 Blumenthal ..... D21/425
- 8,764,511 B2 7/2014 Verbera et al.
- 8,932,101 B2 1/2015 Silvergate et al.
- 9,101,535 B2 8/2015 Silvergate et al.
- 2009/0170643 A1 7/2009 Silvergate

(Continued)

*Primary Examiner* — Cynthia M Chin

(74) *Attorney, Agent, or Firm* — Gardner Groff  
Greenwald & Villanueva, PC

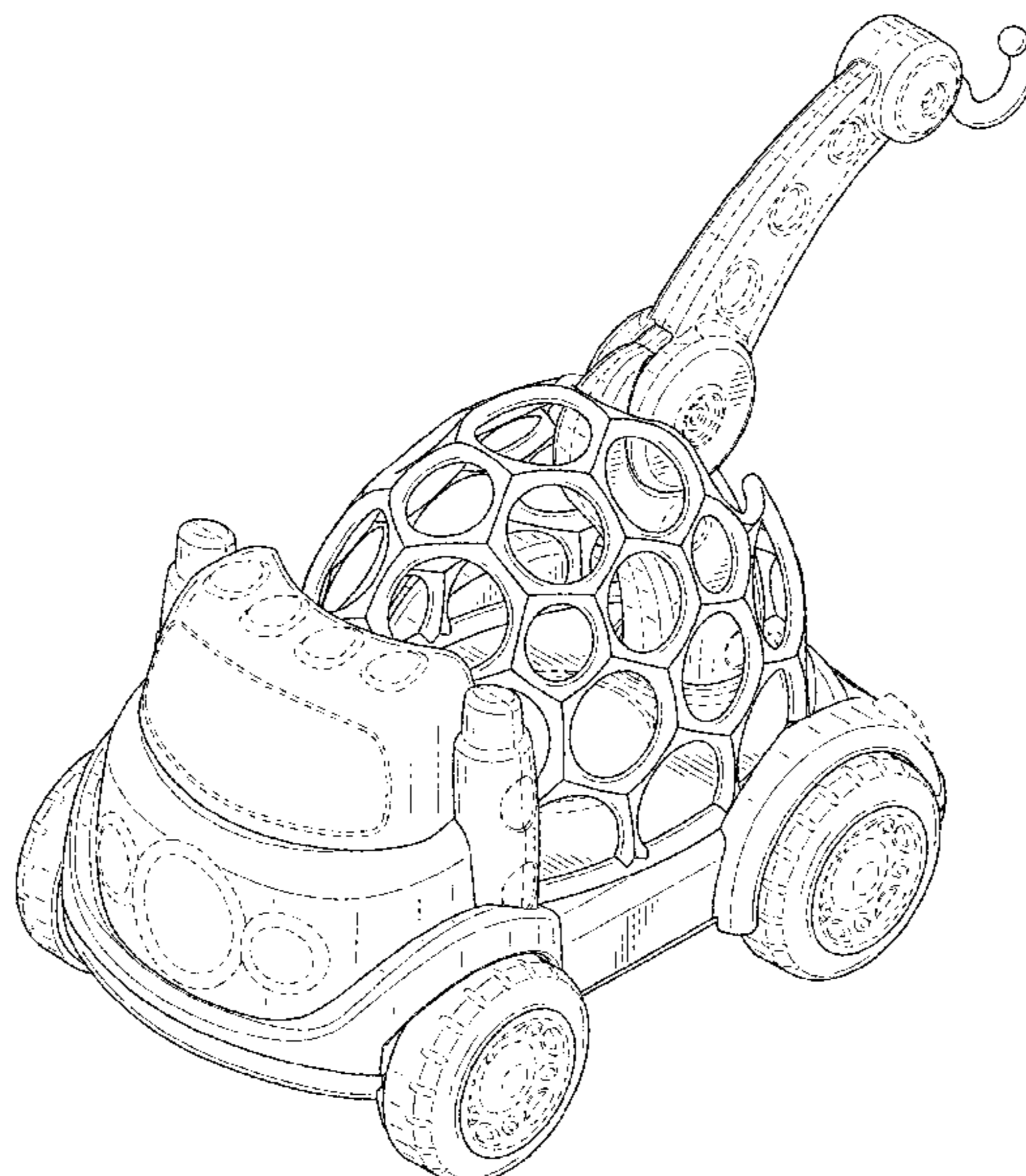
(57) **CLAIM**

The ornamental design for a children's toy, as shown and described.

**DESCRIPTION**

FIG. 1 is a top perspective view of a children's toy, according to the design;  
 FIG. 2 is a front view of the children's toy of FIG. 1;  
 FIG. 3 is a rear view of the children's toy of FIG. 1;  
 FIG. 4 is a right side view of the children's toy of FIG. 1;  
 FIG. 5 is a left side view of the children's toy of FIG. 1;  
 FIG. 6 is a top view of the children's toy of FIG. 1; and,  
 FIG. 7 is a bottom view of the children's toy of FIG. 1.  
 The broken lines shown are included for the purpose of illustrating portions of the article which form no part of the claimed design.

**1 Claim, 4 Drawing Sheets**



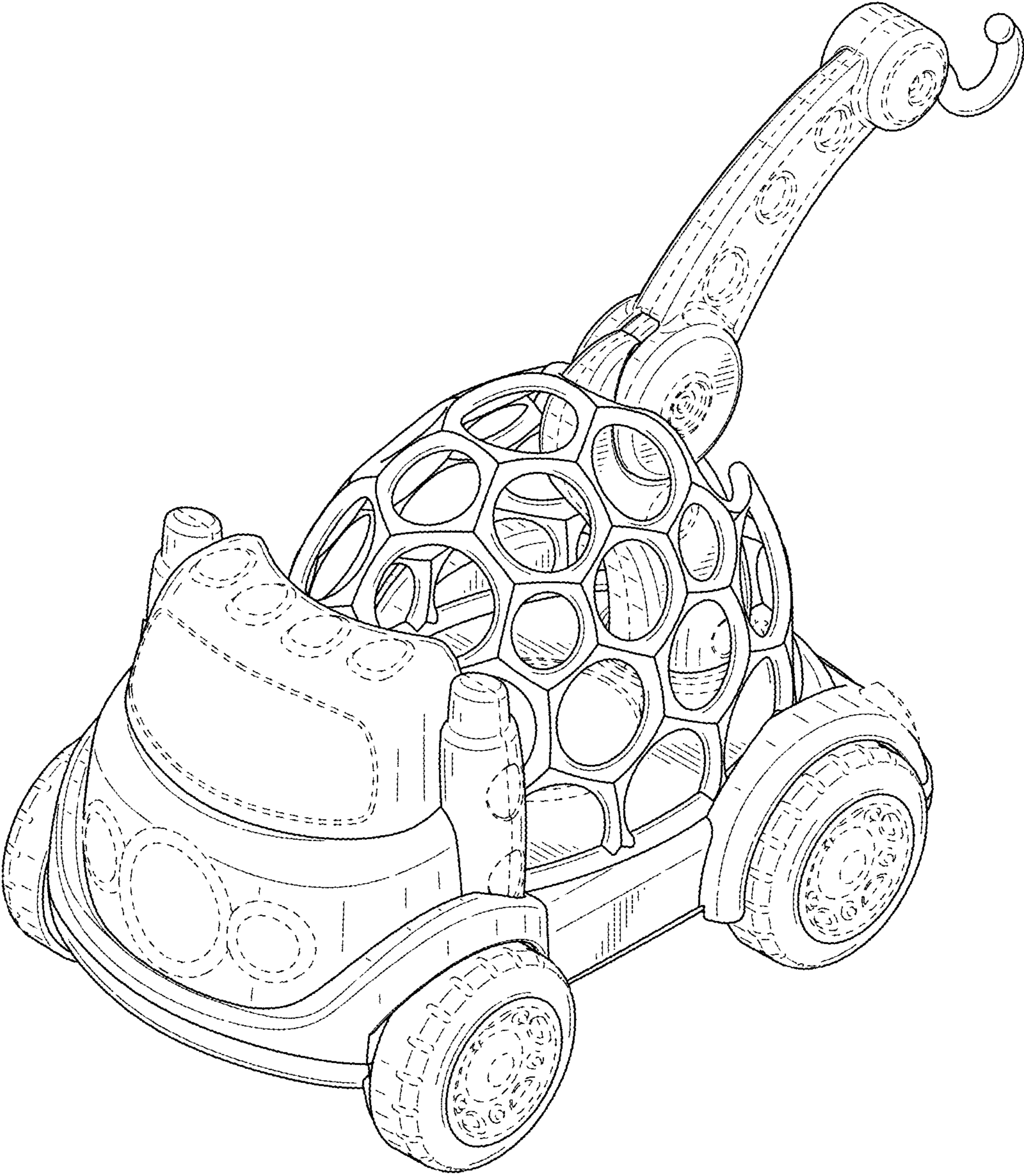
(56)

**References Cited**

U.S. PATENT DOCUMENTS

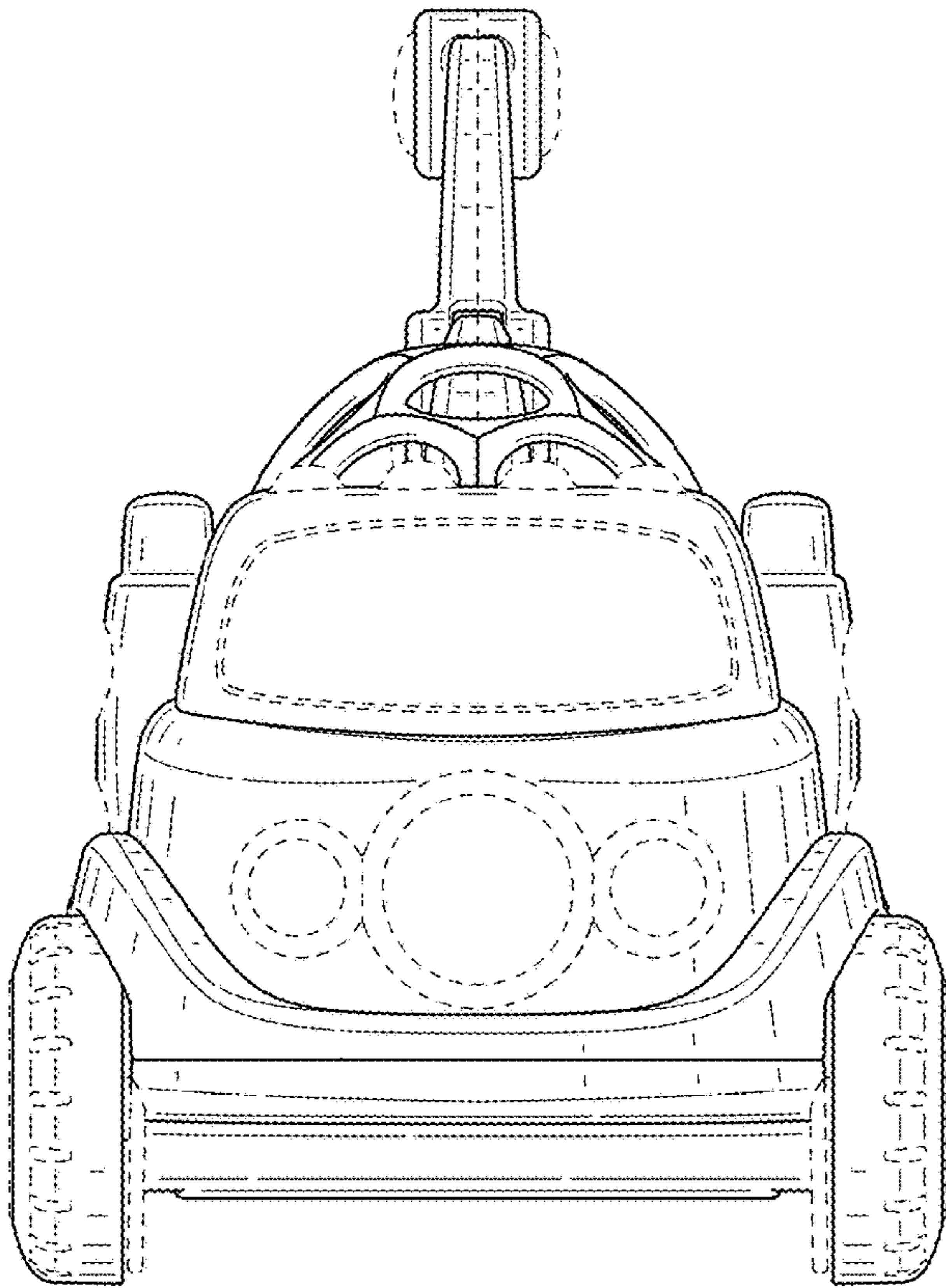
2015/0297955 A1 10/2015 Silvergate et al.  
2016/0051862 A1 2/2016 Silvergate et al.

\* cited by examiner

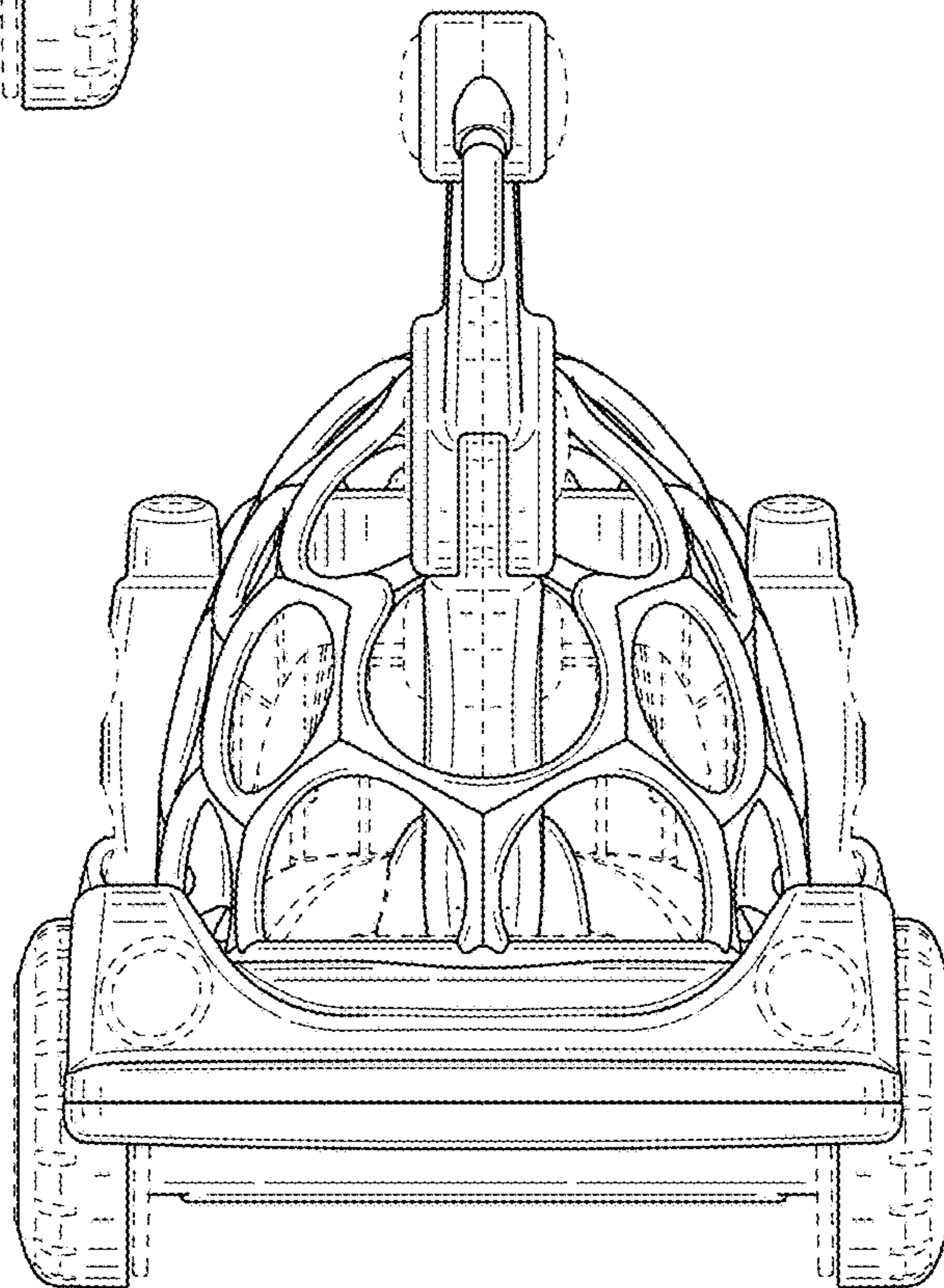


*FIG. 1*

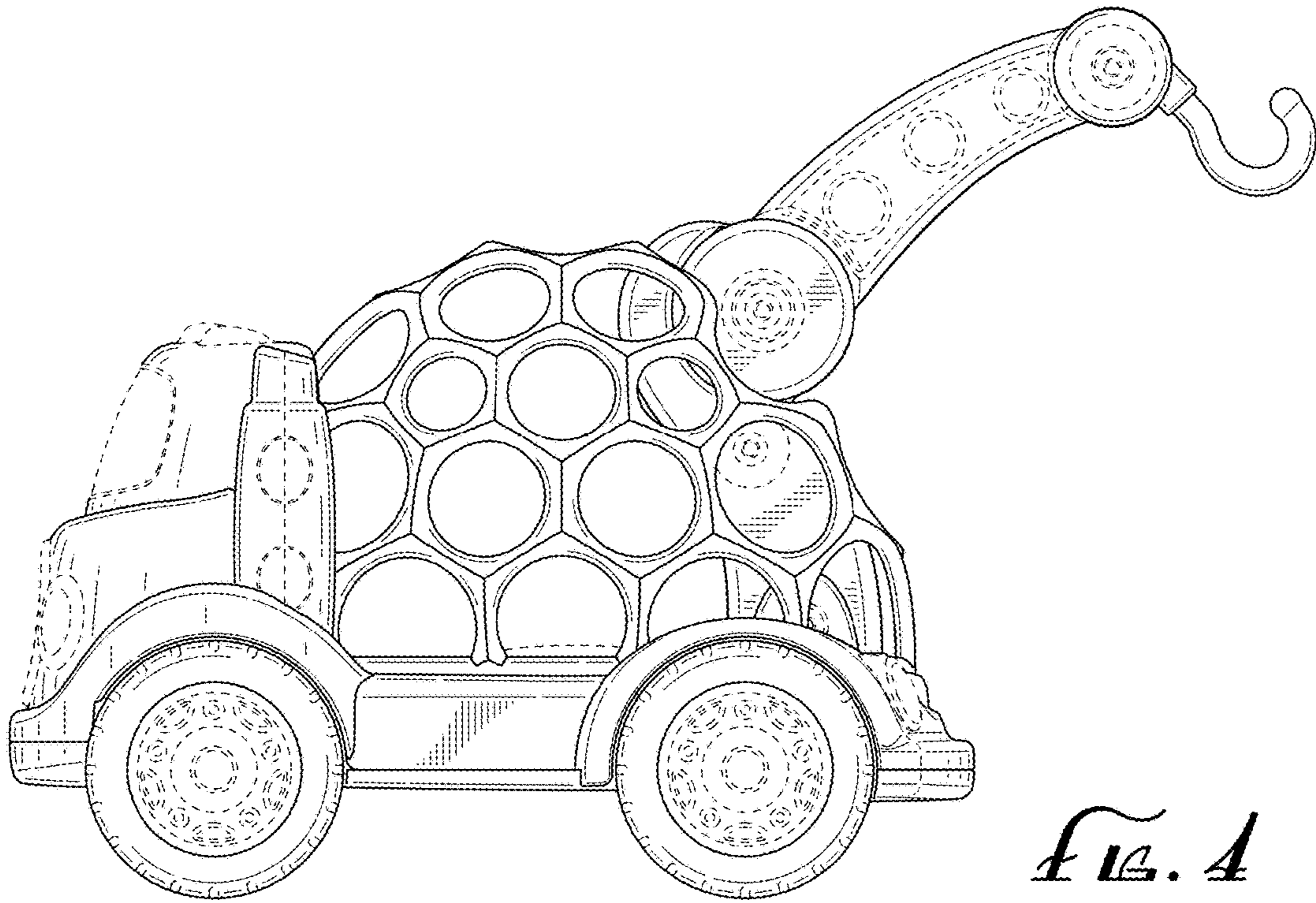




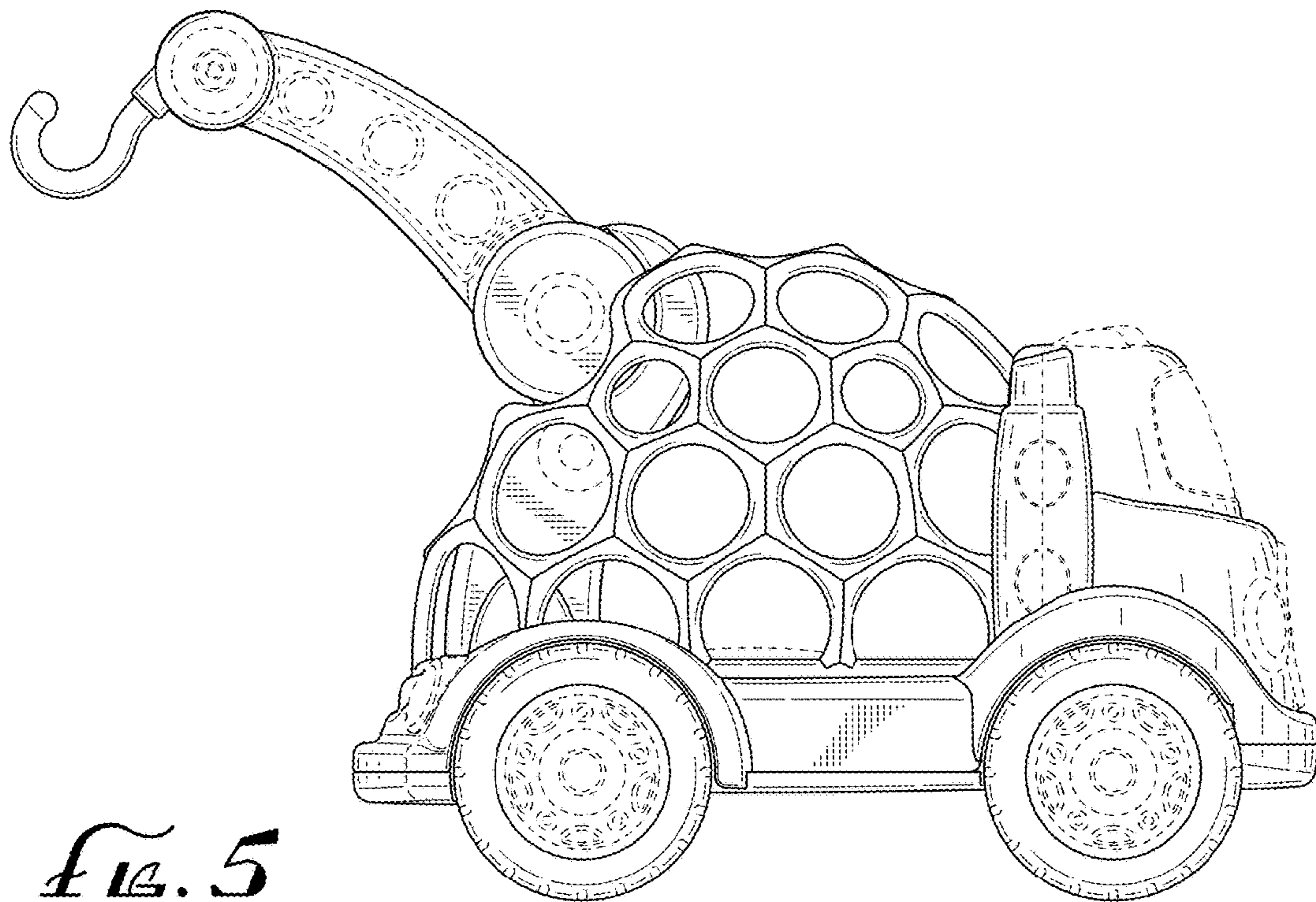
*FIG. 2*



*FIG. 3*



*FIG. 4*



*FIG. 5*



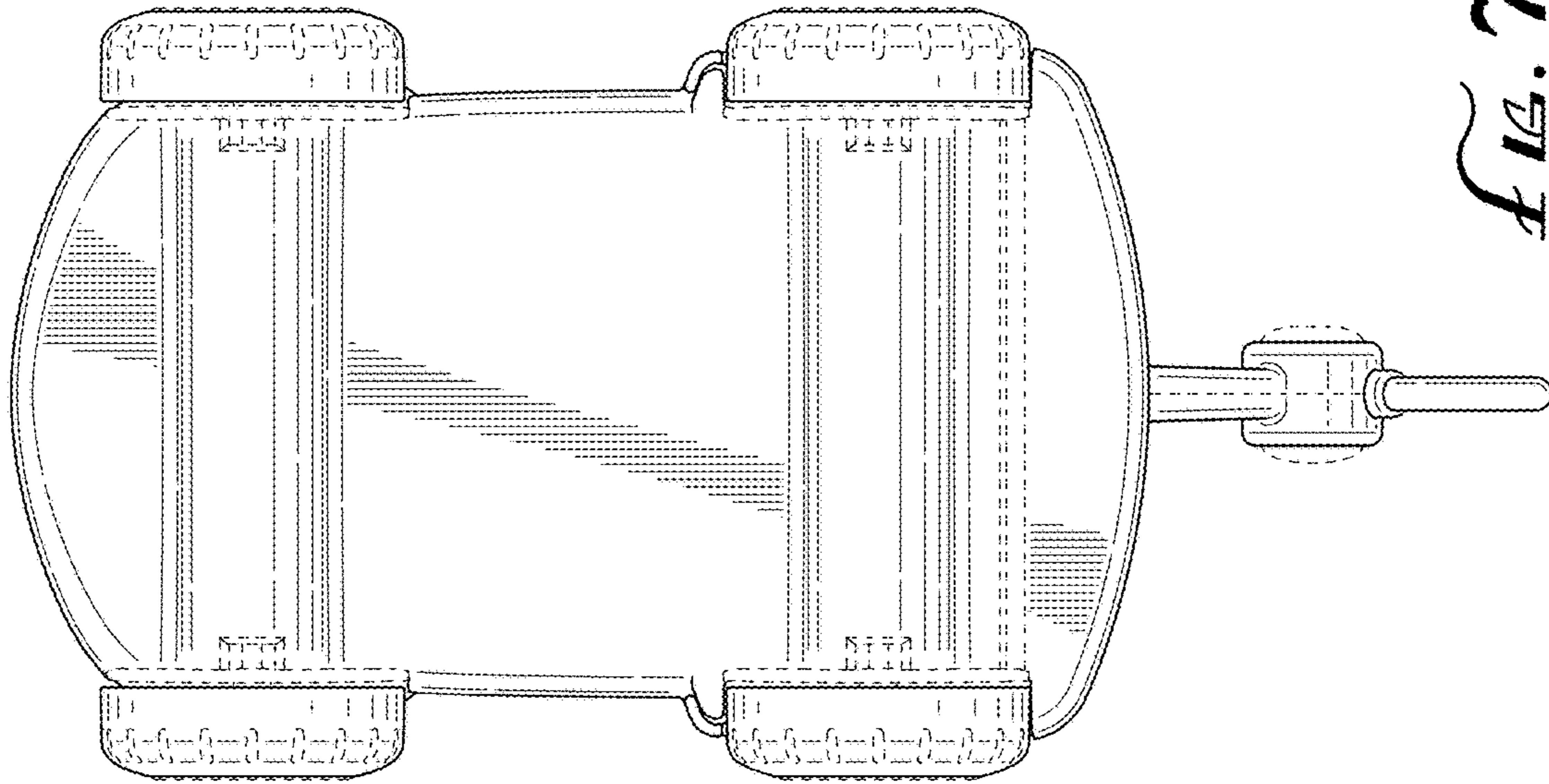


FIG. 7

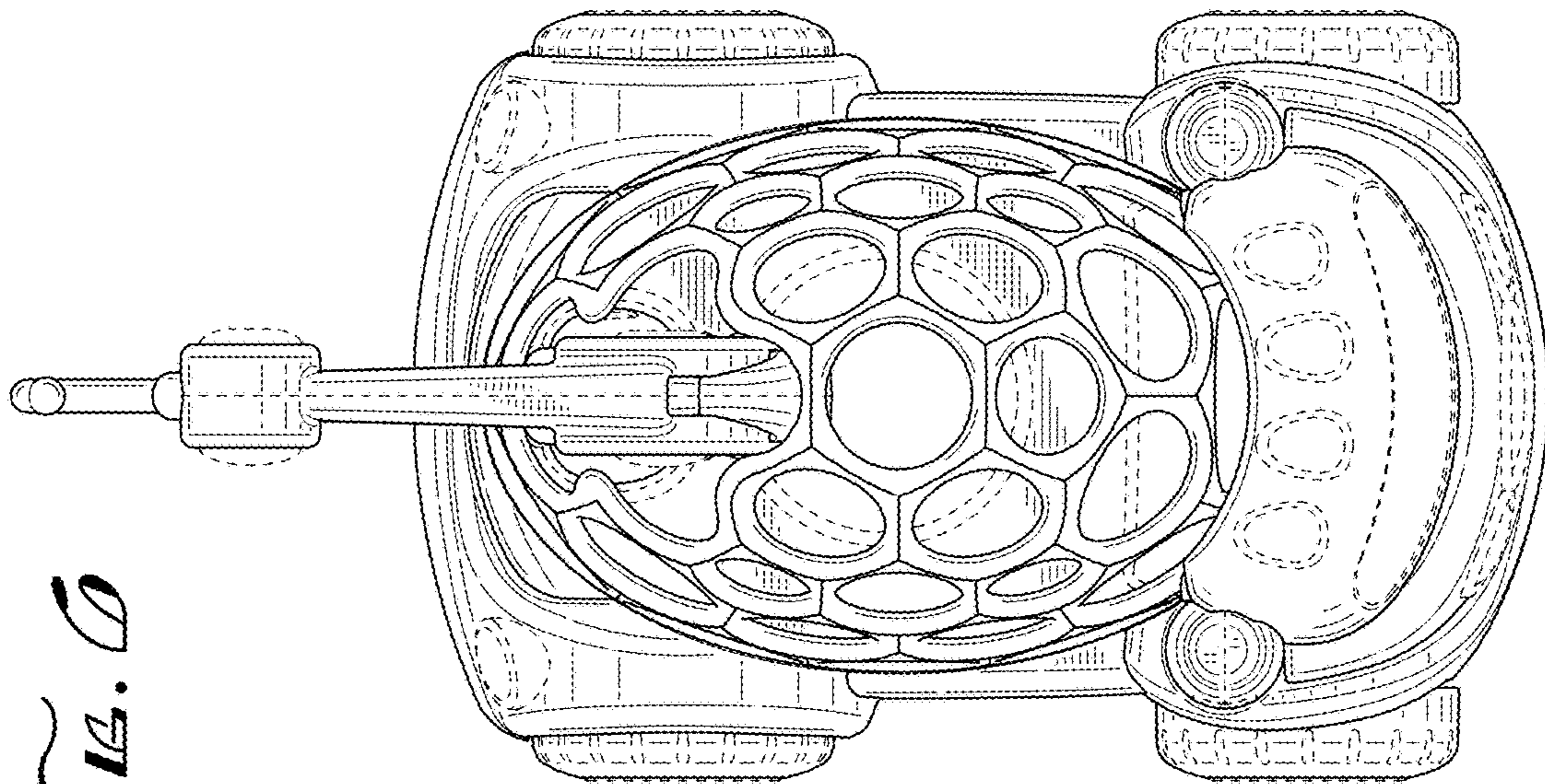


FIG. 8