



US00D817413S

(12) **United States Design Patent**  
**Kamiyama**

(10) **Patent No.:** **US D817,413 S**

(45) **Date of Patent:** **\*\* May 8, 2018**

(54) **TOY HOUSE**

(71) Applicant: **EPOCH COMPANY, LTD.**, Toyko (JP)

(72) Inventor: **Kei Kamiyama**, Tokyo (JP)

(73) Assignee: **EPOCH Company, Ltd.**, Tokyo (JP)

(\*\*) Term: **15 Years**

(21) Appl. No.: **29/602,856**

(22) Filed: **May 4, 2017**

(30) **Foreign Application Priority Data**

Nov. 4, 2016 (JP) ..... 2016-024087

(51) **LOC (11) Cl.** ..... **21-01**

(52) **U.S. Cl.**  
USPC ..... **D21/506**

(58) **Field of Classification Search**  
USPC ..... D25/1, 10, 32; D9/636, 637, 640, 433;  
434/72, 79, 96, 260; 446/69, 75, 110,  
446/476-478, 479  
CPC . A63H 3/00; A63H 3/52; A63H 33/00; A63H  
33/008; A63H 33/044; B65D 81/368;  
A63B 9/00  
See application file for complete search history.

(56) **References Cited**

**U.S. PATENT DOCUMENTS**

D665,466 S \* 8/2012 Kasahara ..... D21/506  
D683,410 S \* 5/2013 Morioka ..... D21/506

D685,037 S \* 6/2013 Akitsu ..... D21/506  
D710,457 S \* 8/2014 Kawashima ..... D21/506  
D710,459 S \* 8/2014 Kawashima ..... D21/506  
D755,905 S \* 5/2016 Sano ..... D21/506  
D757,186 S \* 5/2016 Hattori ..... D21/506  
D783,732 S \* 4/2017 Nanjo ..... D21/509  
D783,733 S \* 4/2017 Goto ..... D21/509  
2002/0193046 A1 \* 12/2002 Zebersky ..... A63H 3/52  
446/476

\* cited by examiner

*Primary Examiner* — Cynthia M Chin

(74) *Attorney, Agent, or Firm* — Fitzgerald IP Law; John K. Fitzgerald

(57) **CLAIM**

The ornamental design for a toy house, as shown and described.

**DESCRIPTION**

FIG. 1 is a perspective view showing the roof, front, a side, and a portion of the interior of a toy house, showing my new design;

FIG. 2 is a rear perspective view of the toy house of FIG. 1 showing the roof, an exterior side of a right side, an interior of a left side, and a portion of the interior, thereof;

FIG. 3 is a frontal view thereof;

FIG. 4 is a rear view thereof;

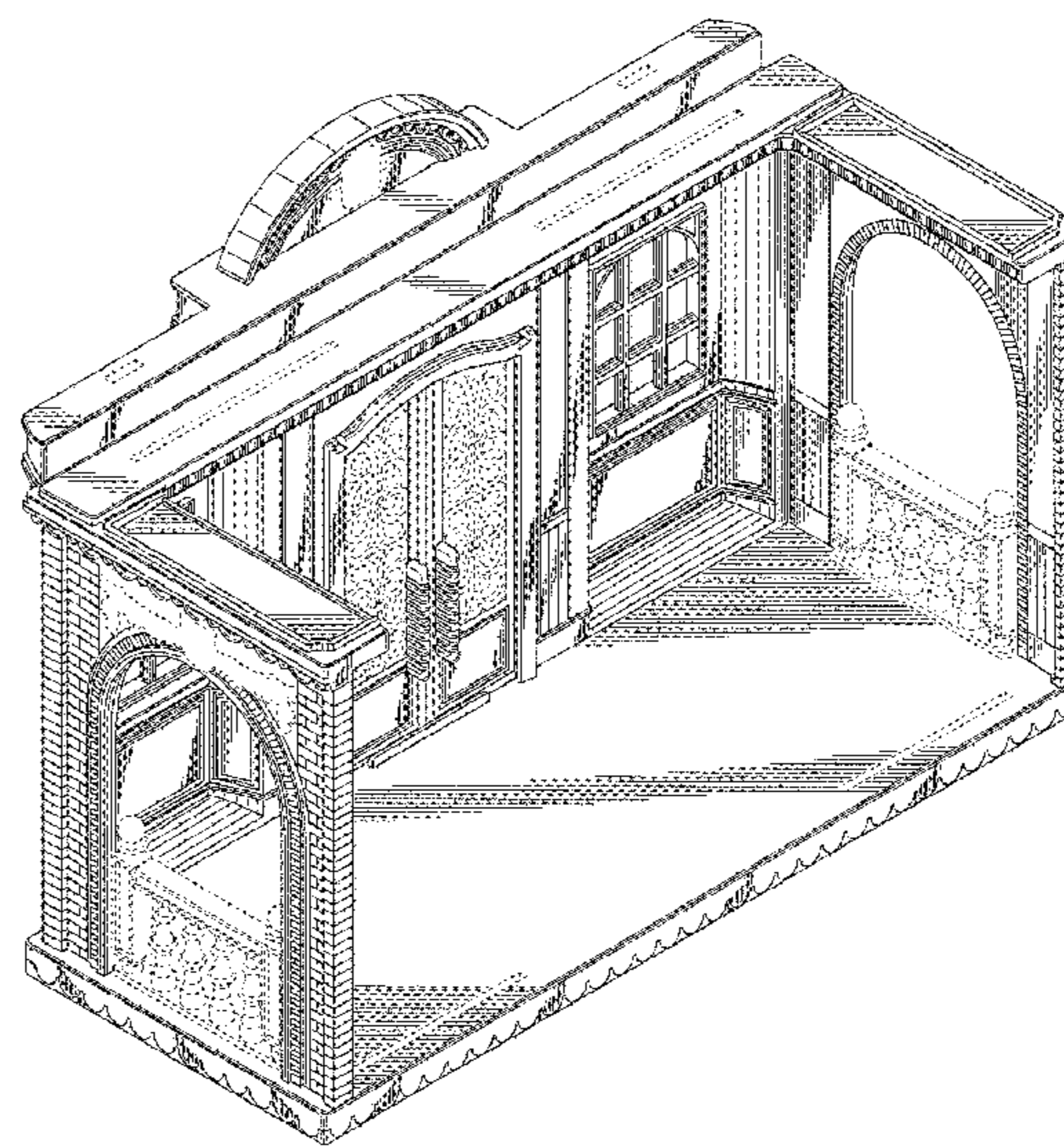
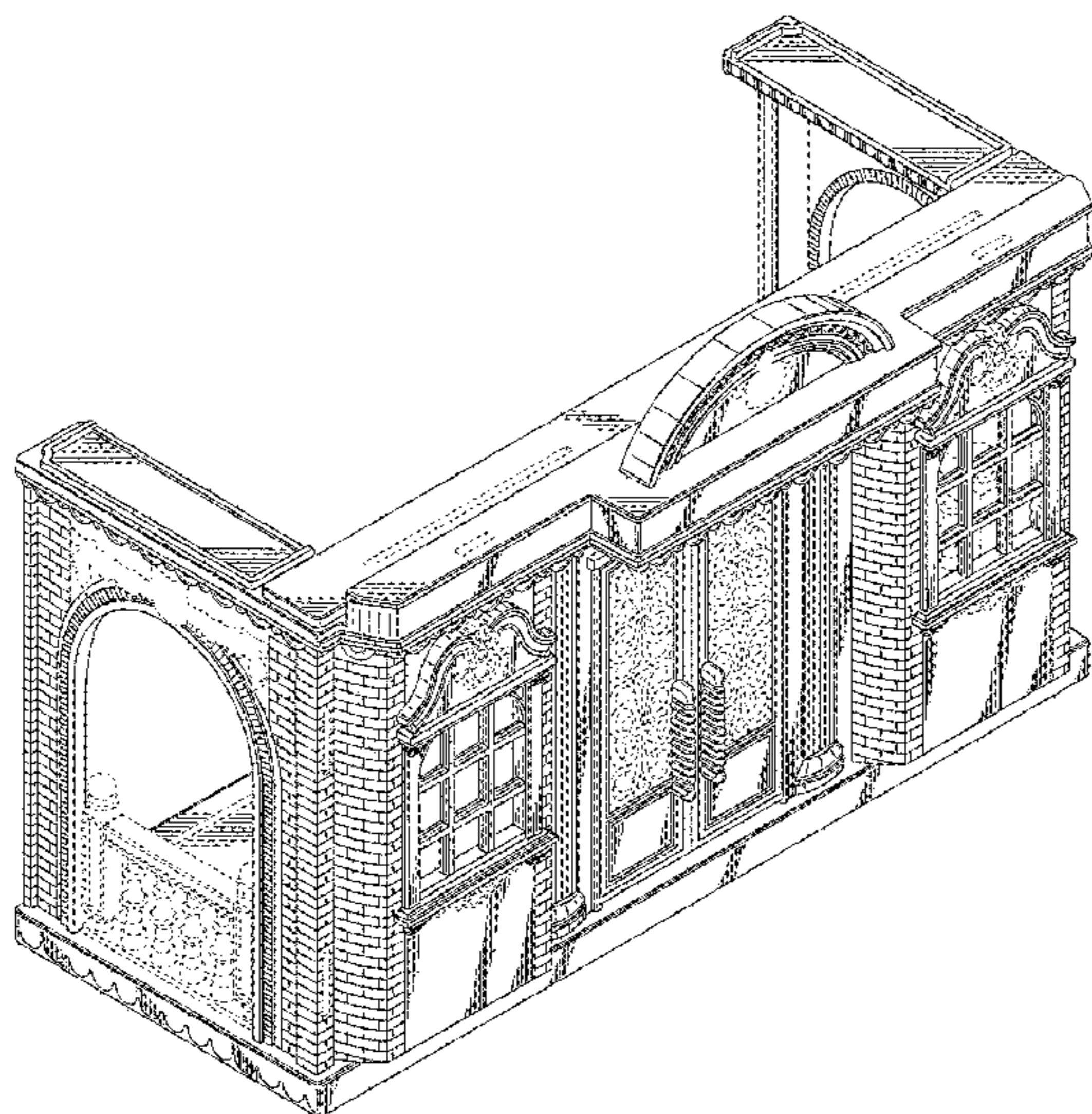
FIG. 5 is an overhead view thereof;

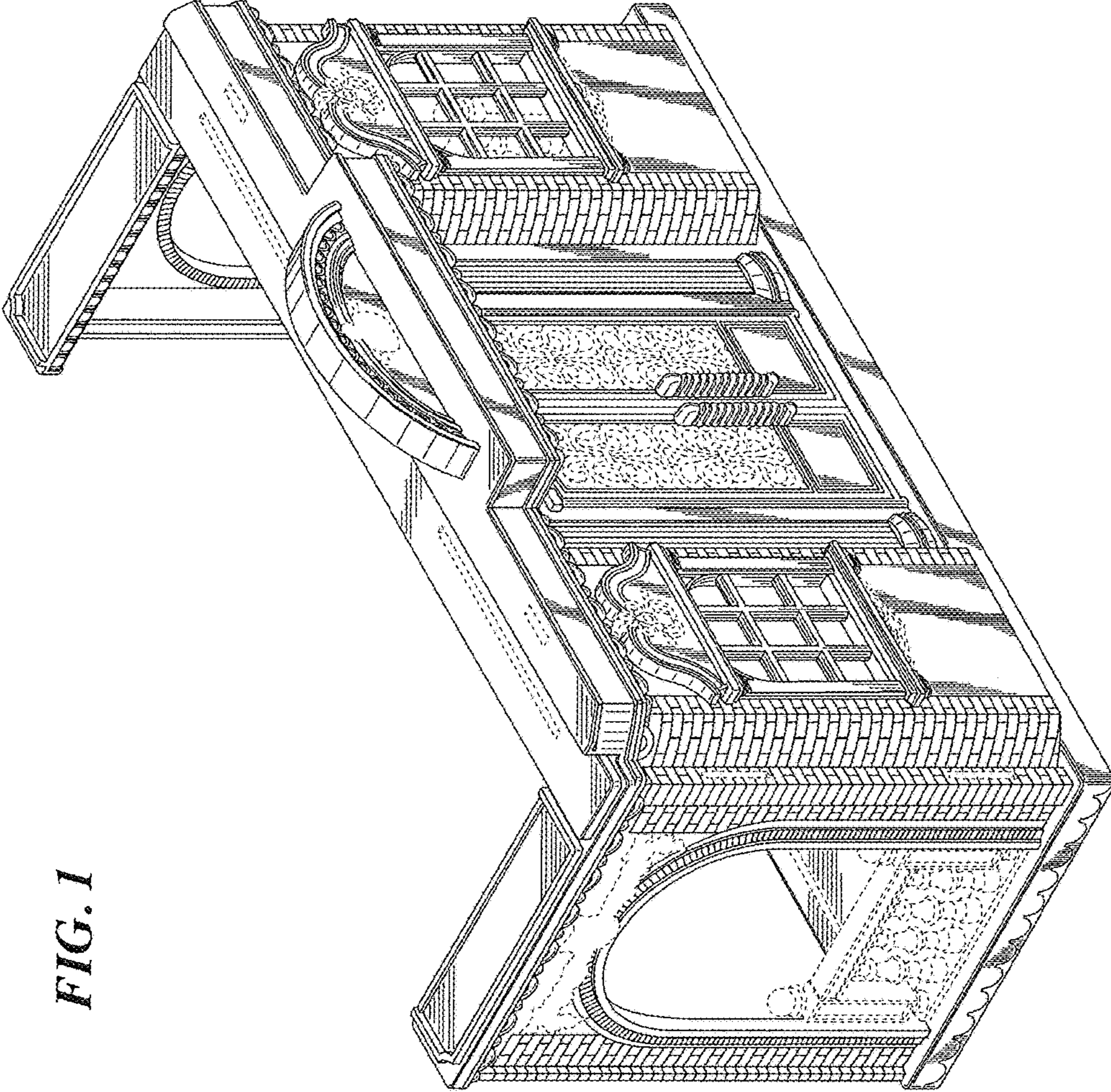
FIG. 6 is a right side view thereof; and,

FIG. 7 is a left side view thereof.

The broken lines shown are included for the purpose of illustrating portions of the article which form no part of the claimed design.

**1 Claim, 7 Drawing Sheets**





**FIG. 1**

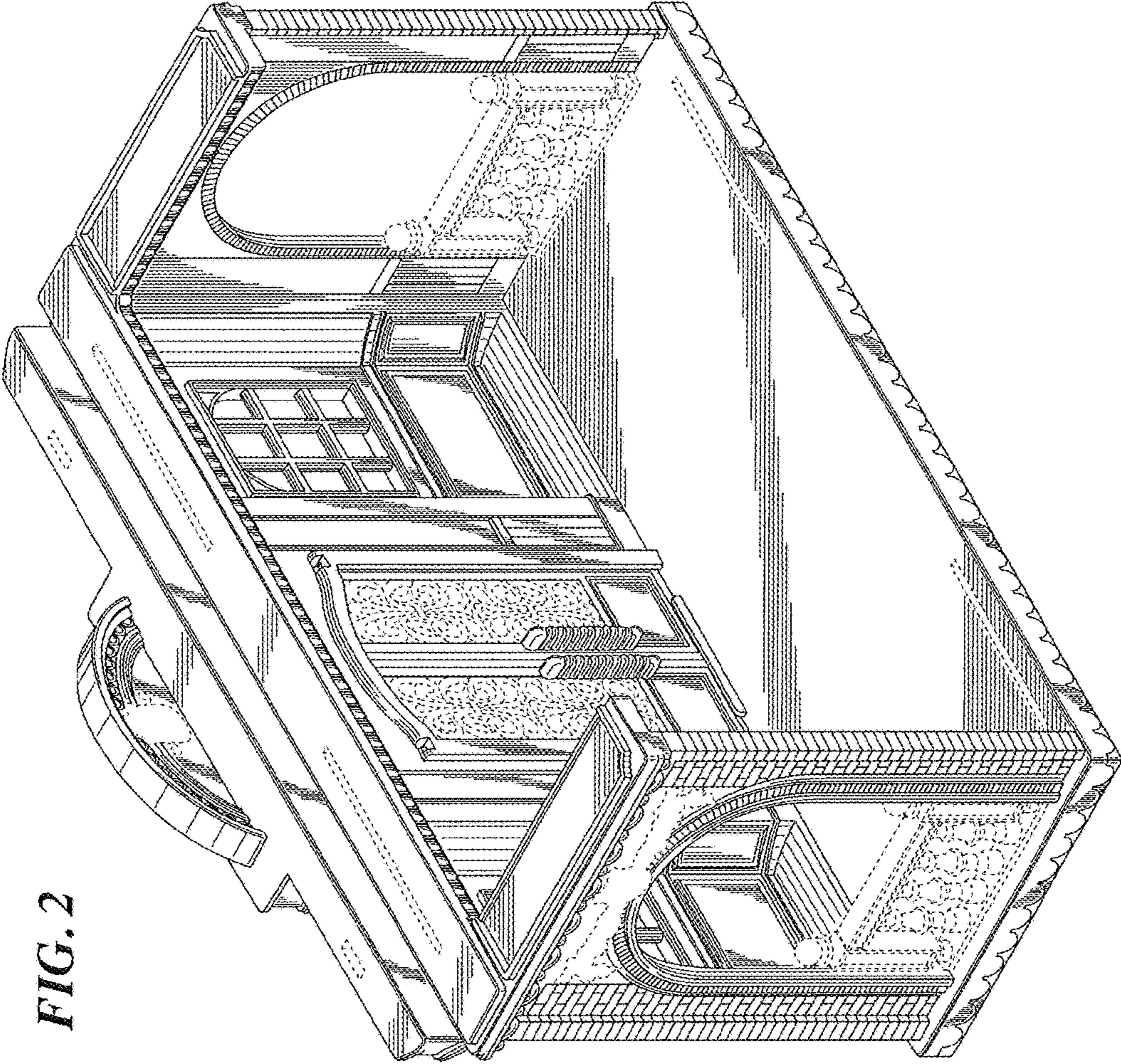


FIG. 2

*FIG. 3*

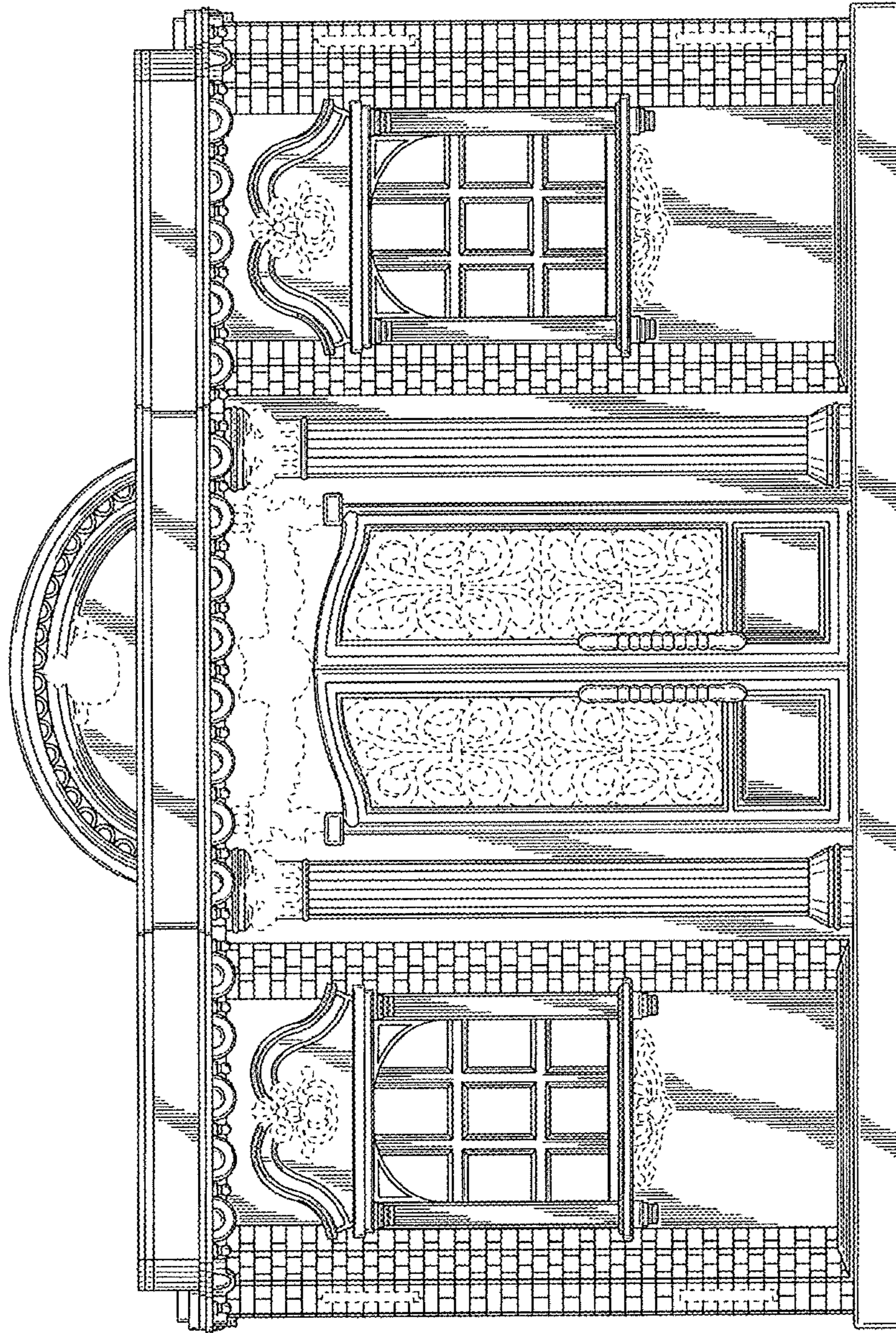
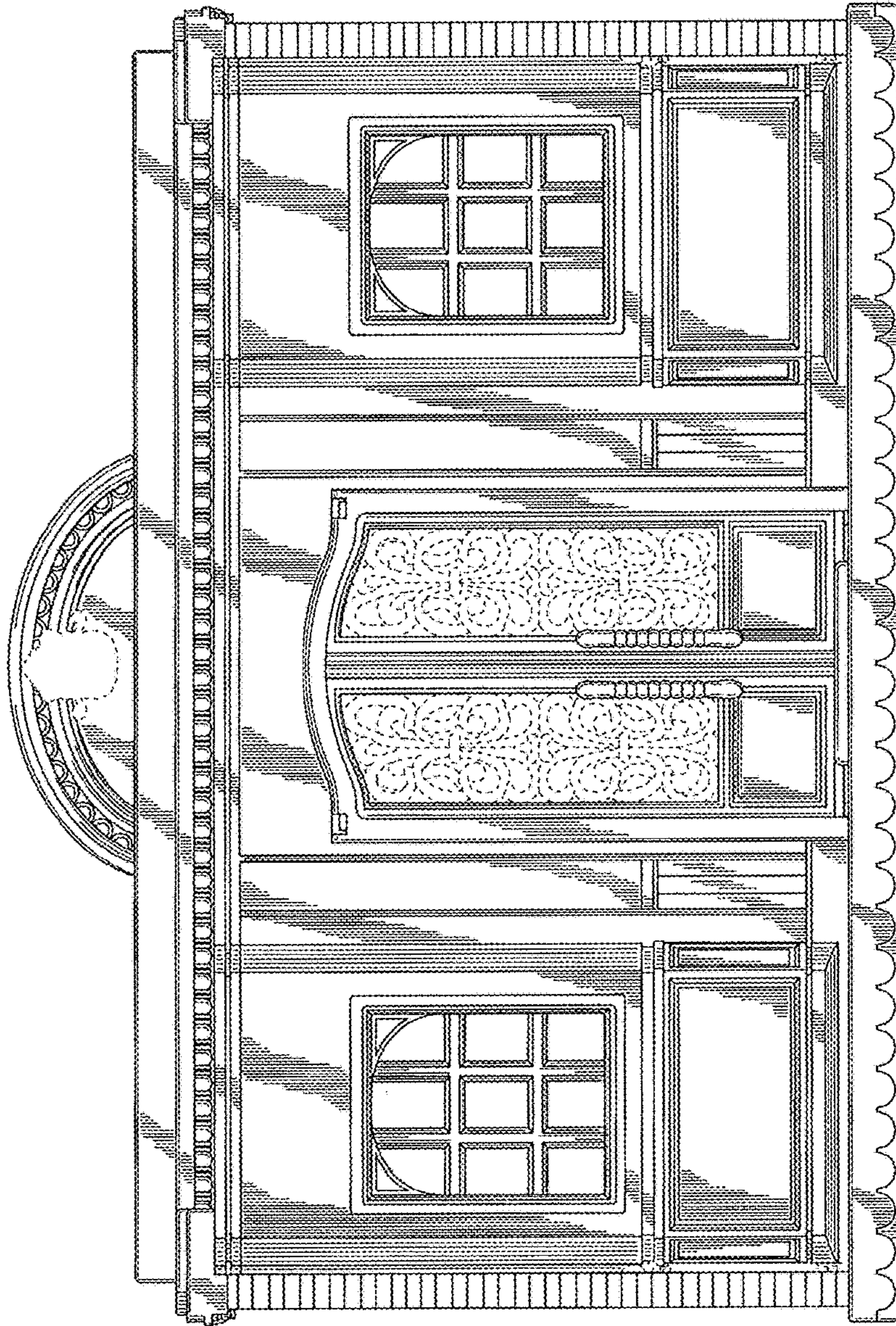
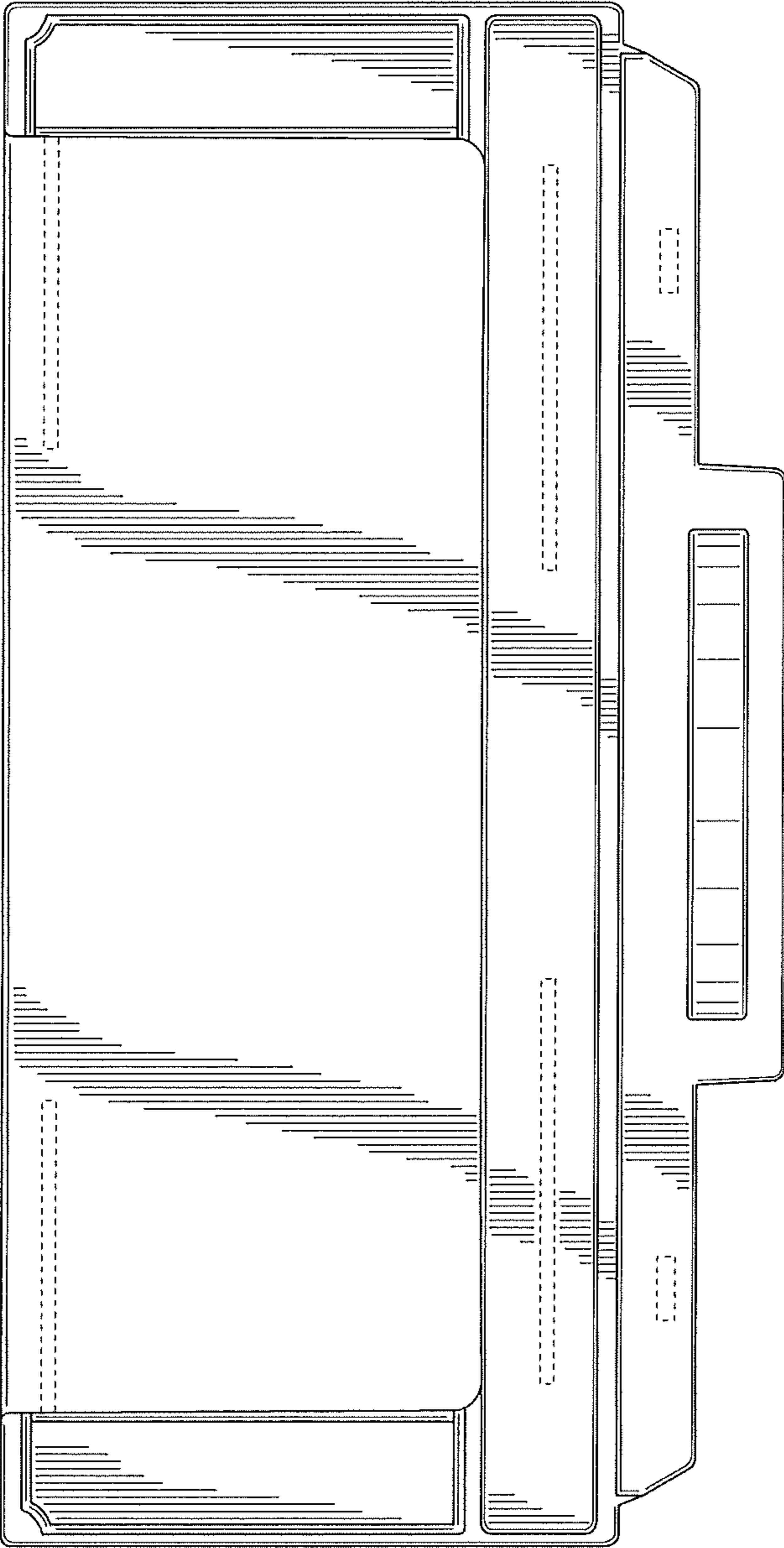


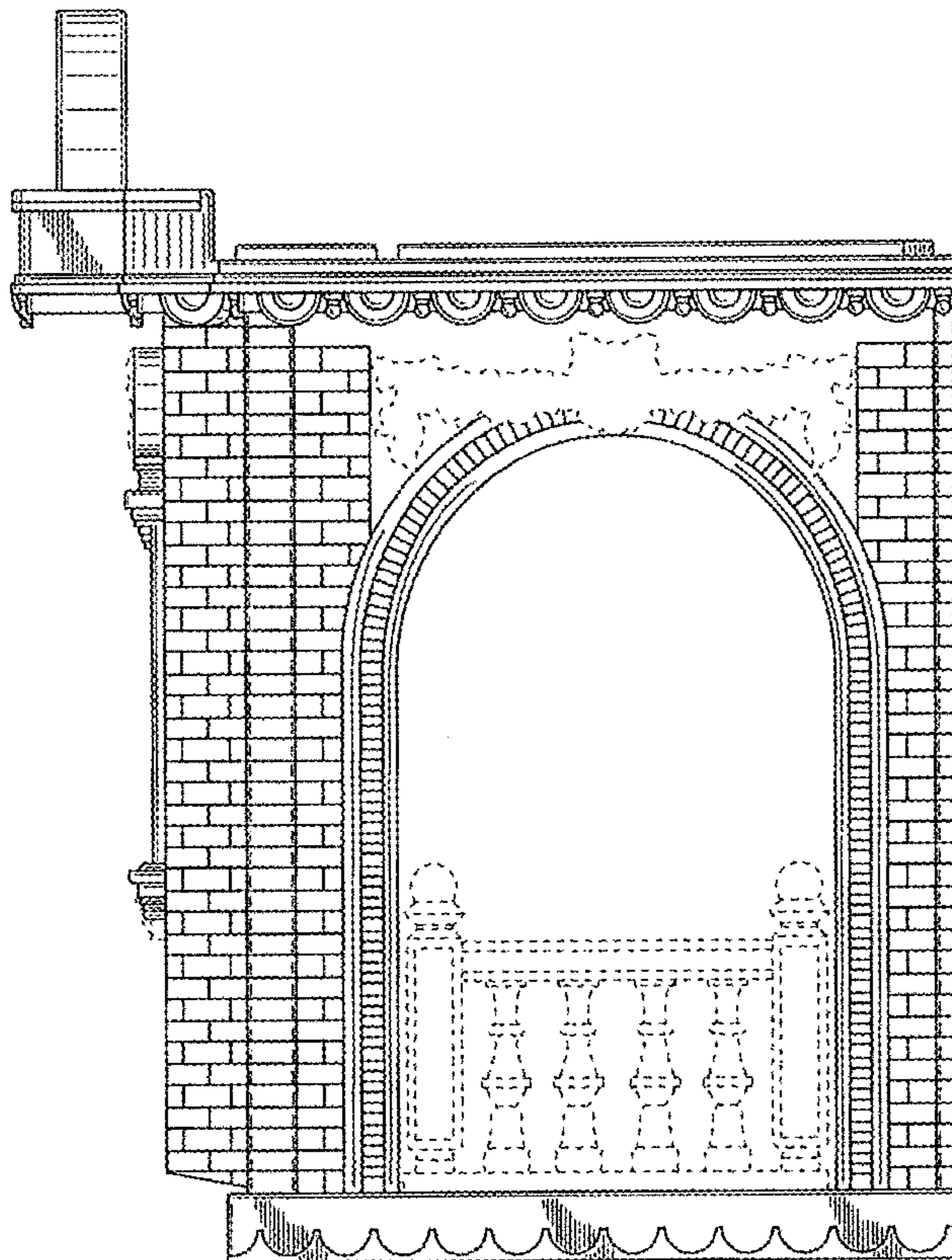
FIG. 4



*FIG. 5*



*FIG. 6*



*FIG. 7*

