



US00D817412S

(12) **United States Design Patent**
Hu et al.

(10) **Patent No.:** **US D817,412 S**
(45) **Date of Patent:** **** May 8, 2018**

(54) **CONNECTOR MODULES**

(71) Applicants: **Microduino Inc.**, Westlake Village, CA (US); **Meike Technology (Beijing) Ltd.**, Beijing (CN)

(72) Inventors: **Jian Hu**, Westlake Village, CA (US); **Kejia Pan**, Westlake Village, CA (US); **Zhenshan Wang**, Westlake Village, CA (US); **Xi Li**, Westlake Village, CA (US); **Taiming Suo**, Westlake Village, CA (US); **Bin Feng**, Westlake Village, CA (US)

(73) Assignees: **MICRODUINO INC.**, Westlake Village, CA (US); **MEIKE TECHNOLOGY (BEIJING) LTD.**, Beijing (CN)

(**) Term: **15 Years**

(21) Appl. No.: **29/580,964**

(22) Filed: **Oct. 14, 2016**

(51) **LOC (11) Cl.** **21-01**

(52) **U.S. Cl.**
USPC **D21/501; D13/133**

(58) **Field of Classification Search**
USPC D13/101, 110, 118, 120, 123, 133, 134, D13/146-149, 152-154, 173, 175, 184, D13/199; D21/484, 488-490, 497-503
(Continued)

(56) **References Cited**

U.S. PATENT DOCUMENTS

D261,785 S * 11/1981 Nakao D21/502
4,580,861 A * 4/1986 Kaley H01R 13/50
439/594

(Continued)

Primary Examiner — Thomas Johannes
Assistant Examiner — Shawn T Gingrich

(74) *Attorney, Agent, or Firm* — Anova Law Group, PLLC

(57) **CLAIM**

The ornamental design for a connector module, as shown and described.

DESCRIPTION

FIG. 1 is a front perspective view of a connector module in accordance with the present invention;
FIG. 2 is a front view of the connector module shown in FIG. 1;
FIG. 3 is a back view of the connector module shown in FIG. 1;
FIG. 4 is a left side view of the connector module shown in FIG. 1;
FIG. 5 is a right side view of the connector module shown in FIG. 1;
FIG. 6 is a top view of the connector module shown in FIG. 1;
FIG. 7 is a bottom view of the connector module shown in FIG. 1;
FIG. 8 is a front perspective view of a top piece of the connector module shown in FIG. 1;
FIG. 9 is a front view of the top piece of the connector module shown in FIG. 1;
FIG. 10 is a back view of the top piece of the connector module shown in FIG. 1;
FIG. 11 is a left side view of the top piece of the connector module shown in FIG. 1;
FIG. 12 is a right side view of the top piece of the connector module shown in FIG. 1;
FIG. 13 is a top view of the top piece of the connector module shown in FIG. 1;
FIG. 14 is a bottom view of the top piece of the connector module shown in FIG. 1;
FIG. 15 is a front perspective view of a bottom piece of the connector module shown in FIG. 1;
FIG. 16 is a front view of the bottom piece of the connector module shown in FIG. 1;
FIG. 17 is a back view of the bottom piece of the connector module shown in FIG. 1;

(Continued)

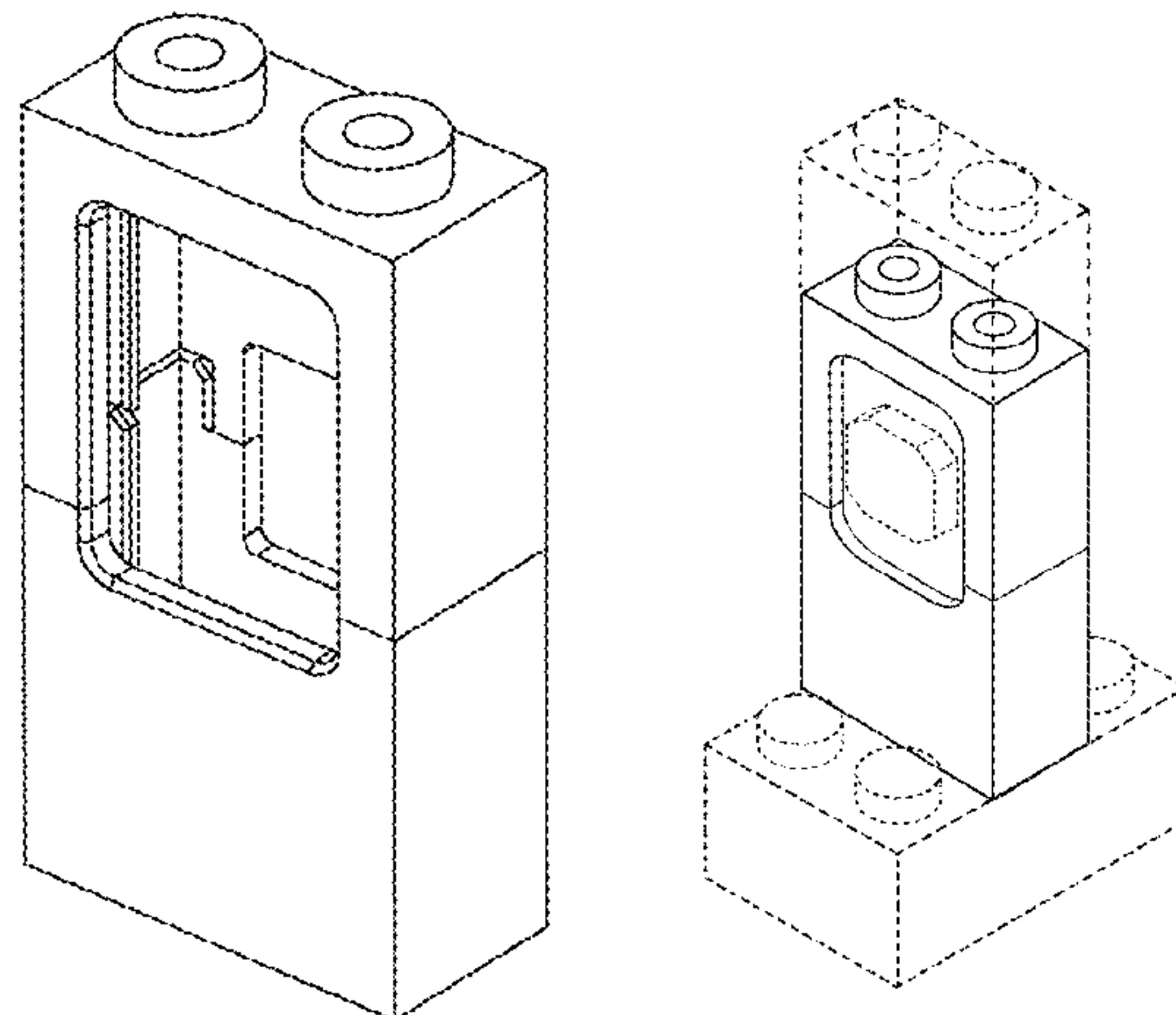


FIG. 18 is a left side view of the bottom piece of the connector module shown in FIG. 1;
 FIG. 19 is a right side view of the bottom piece of the connector module shown in FIG. 1;
 FIG. 20 is a top view of the bottom piece of the connector module shown in FIG. 1;
 FIG. 21 is a bottom view of the bottom piece of the connector module shown in FIG. 1;
 FIG. 22 is front perspective view of the connector module shown in FIG. 1 connecting two standard Lego® blocks in accordance with the present invention;
 FIG. 23 is front perspective view of the connector module shown in FIG. 1 connecting a sensor in accordance with the present invention; and,
 FIG. 24 is front perspective view of the connector module shown in FIG. 1 connecting two standard Lego® blocks and a sensor in accordance with the present invention.
 The broken lines in the drawings illustrate portions of the connector modules that form no part of the claimed design.

1 Claim, 16 Drawing Sheets

(58) **Field of Classification Search**

CPC H01R 9/00; H01R 12/00; H01R 13/00;
 H01R 13/02; H01R 13/11; H01R 13/40;
 H01R 13/51; H01R 13/533; H01R 13/64;

H01R 13/65; H01R 13/66; H01R 13/74;
 H01R 24/60; A63H 33/04; A63H 33/06;
 A63H 33/08; A63H 33/082; A63H 33/084

See application file for complete search history.

(56)

References Cited

U.S. PATENT DOCUMENTS

D305,691	S	*	1/1990	Kelley	D25/152
D350,787	S	*	9/1994	Hojlund	D21/501
D362,474	S	*	9/1995	Voldmester	D21/501
D561,698	S	*	2/2008	Cuff	D13/147
D591,957	S	*	5/2009	Lee	D6/300
D614,707	S	*	4/2010	Ryaa	D21/501
D620,989	S	*	8/2010	Ryaa	D21/501
D639,870	S	*	6/2011	Madsen	D21/494
D751,152	S	*	3/2016	Pestel	D21/494
D751,153	S	*	3/2016	Lacroix	D21/494
D807,440	S	*	1/2018	Hu	D21/501
D807,968	S	*	1/2018	Hu	D21/501
D807,969	S	*	1/2018	Hu	D21/501
2010/0130043	A1	*	5/2010	Wang	H01R 13/7033 439/188
2011/0014815	A1	*	1/2011	Zhu	H01R 24/58 439/620.21
2014/0097333	A1	*	4/2014	Mohammed	H01L 31/12 250/216
2016/0249478	A1	*	8/2016	Wang	H05K 7/1435

* cited by examiner

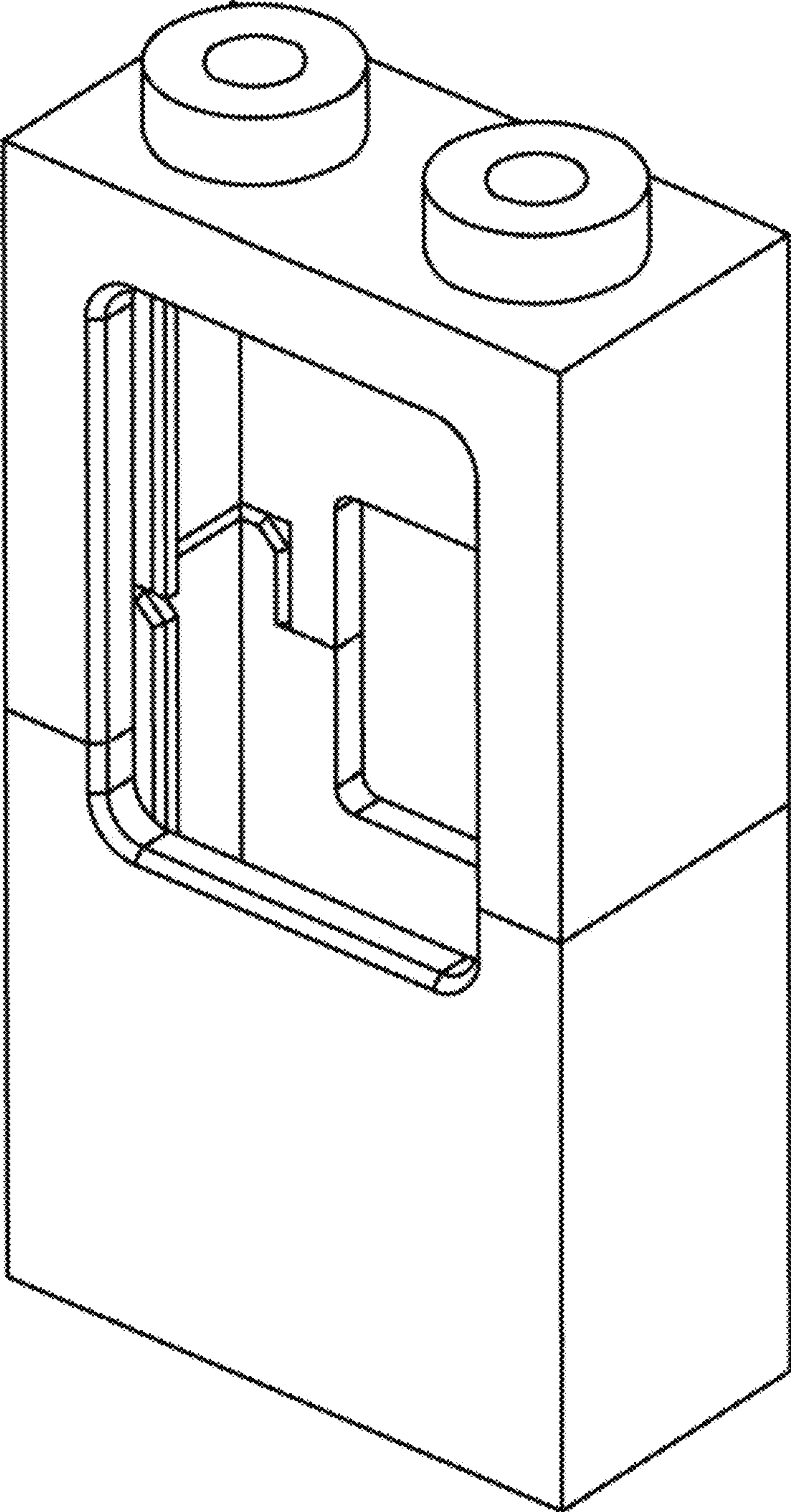


FIG. 1

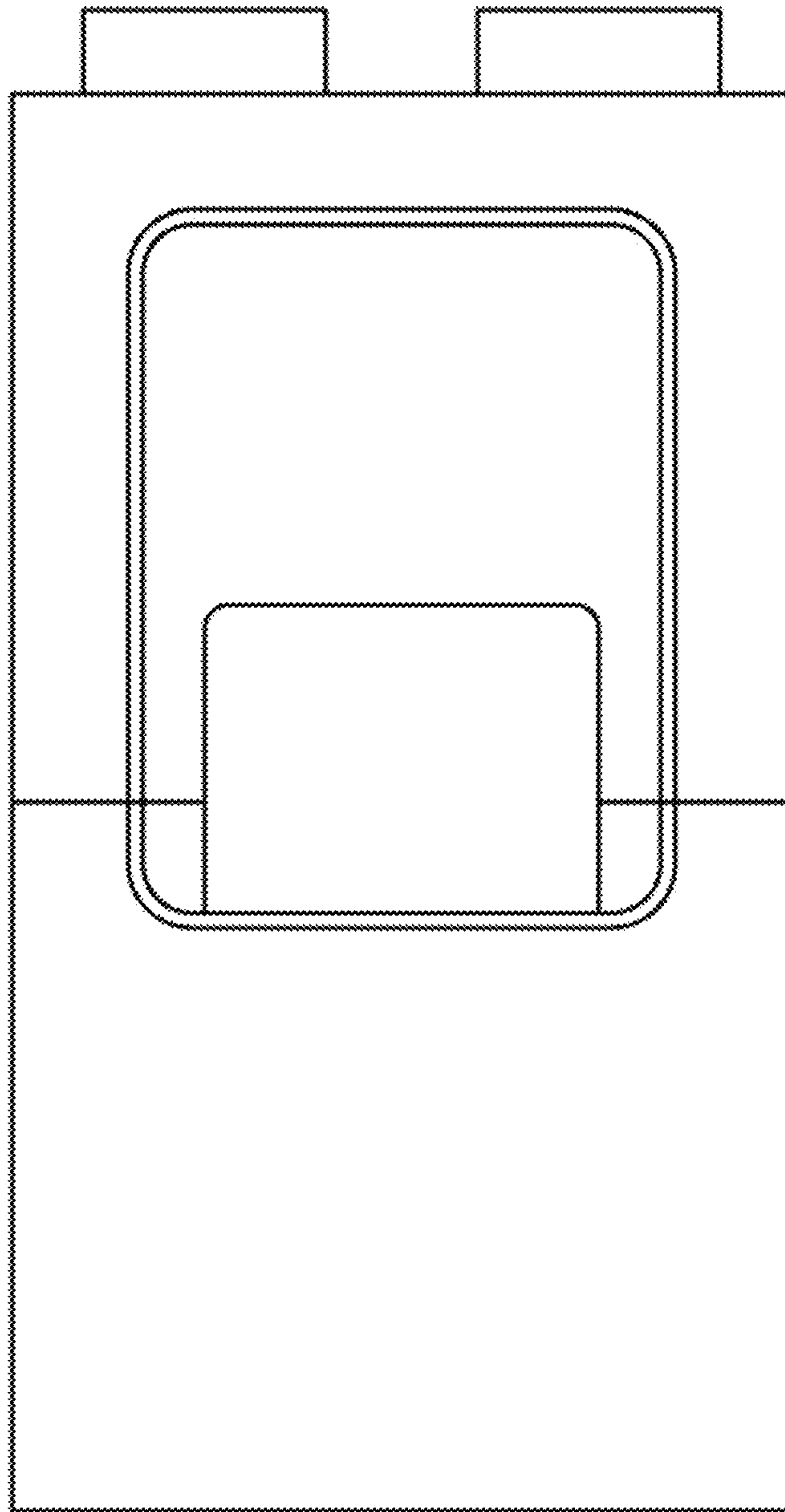


FIG. 2

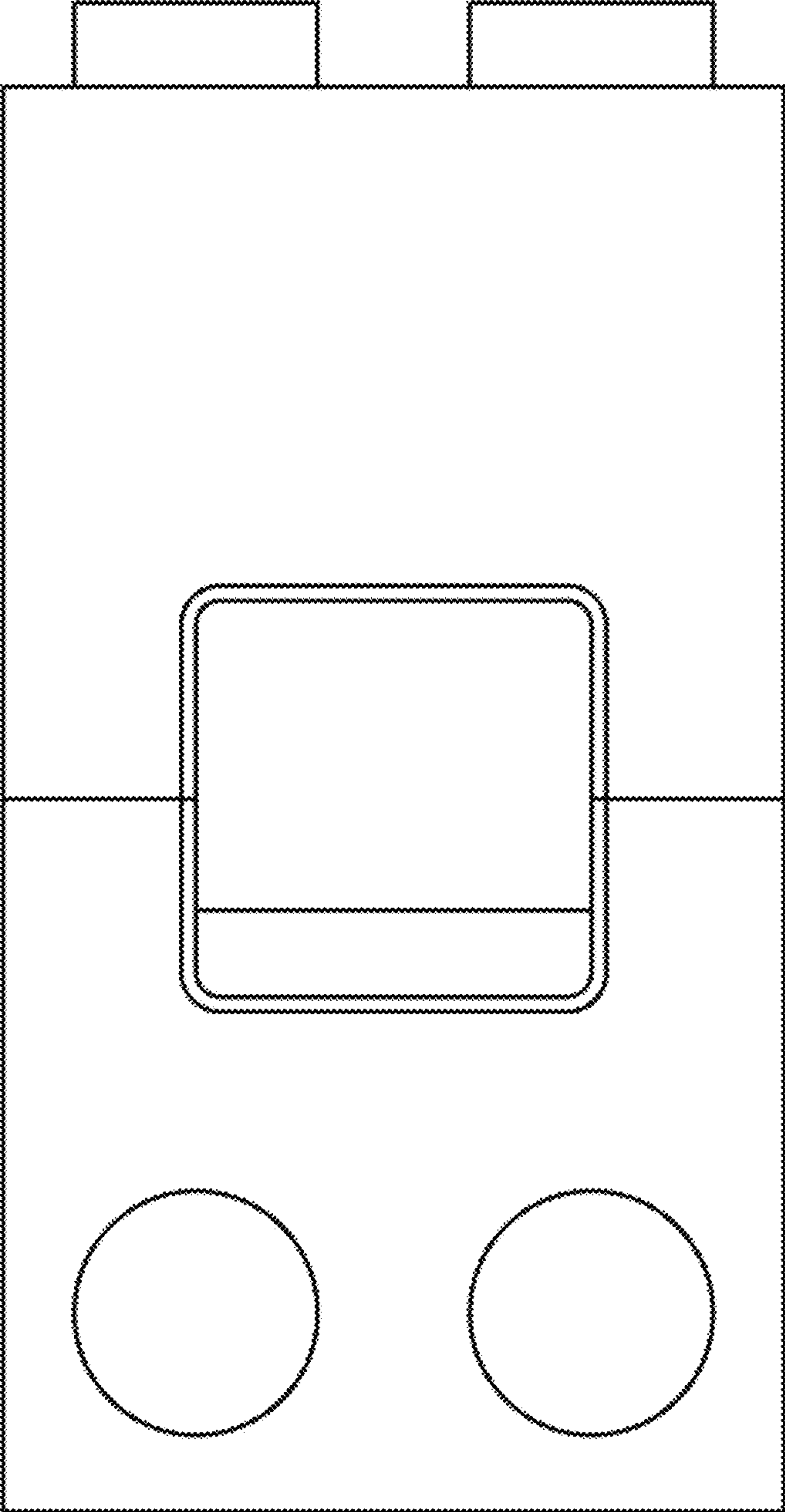


FIG. 3

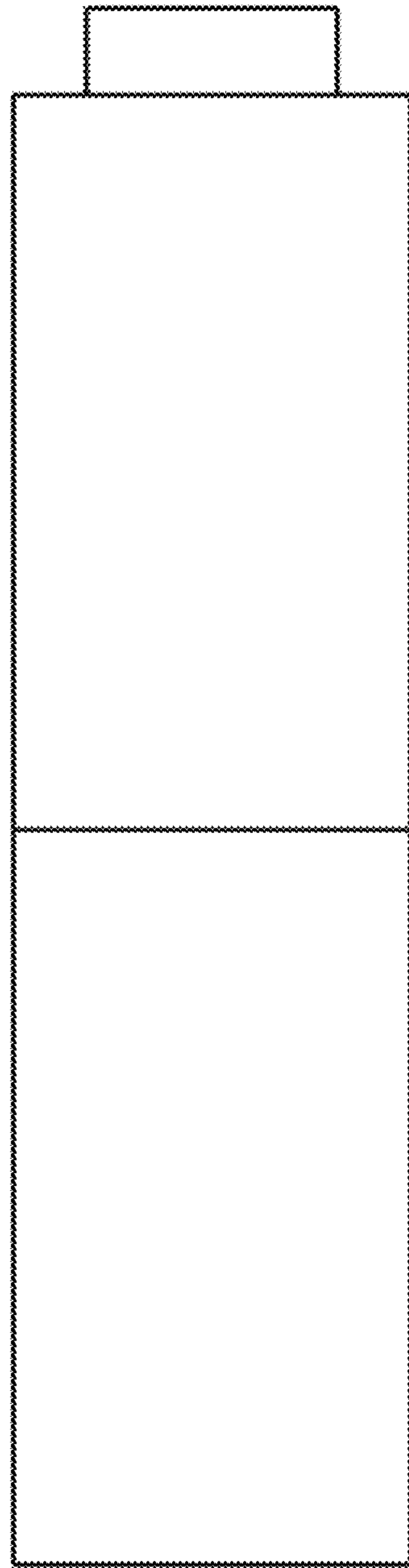


FIG. 4

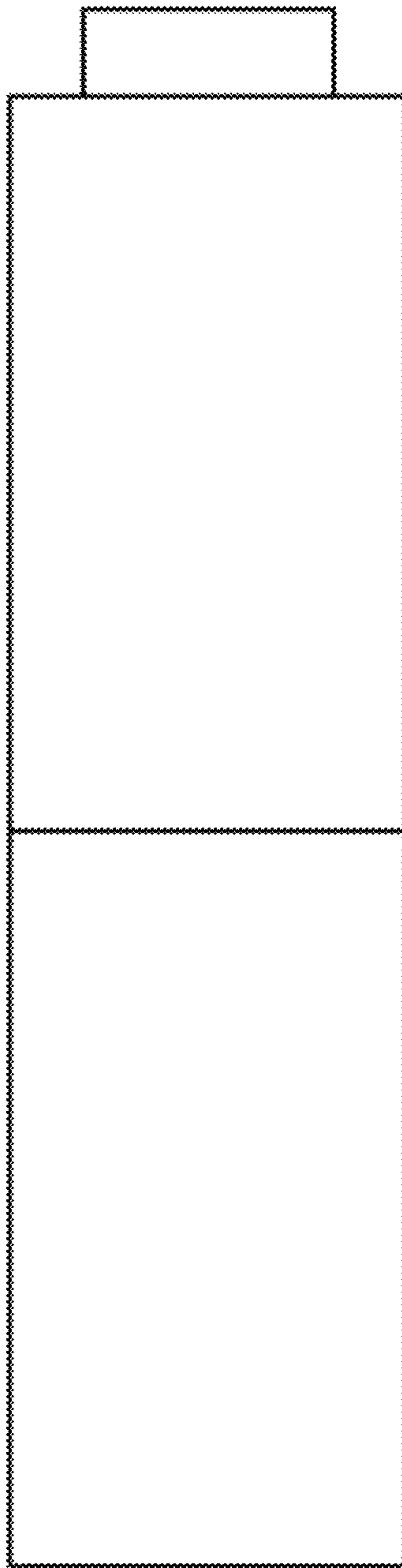


FIG. 5

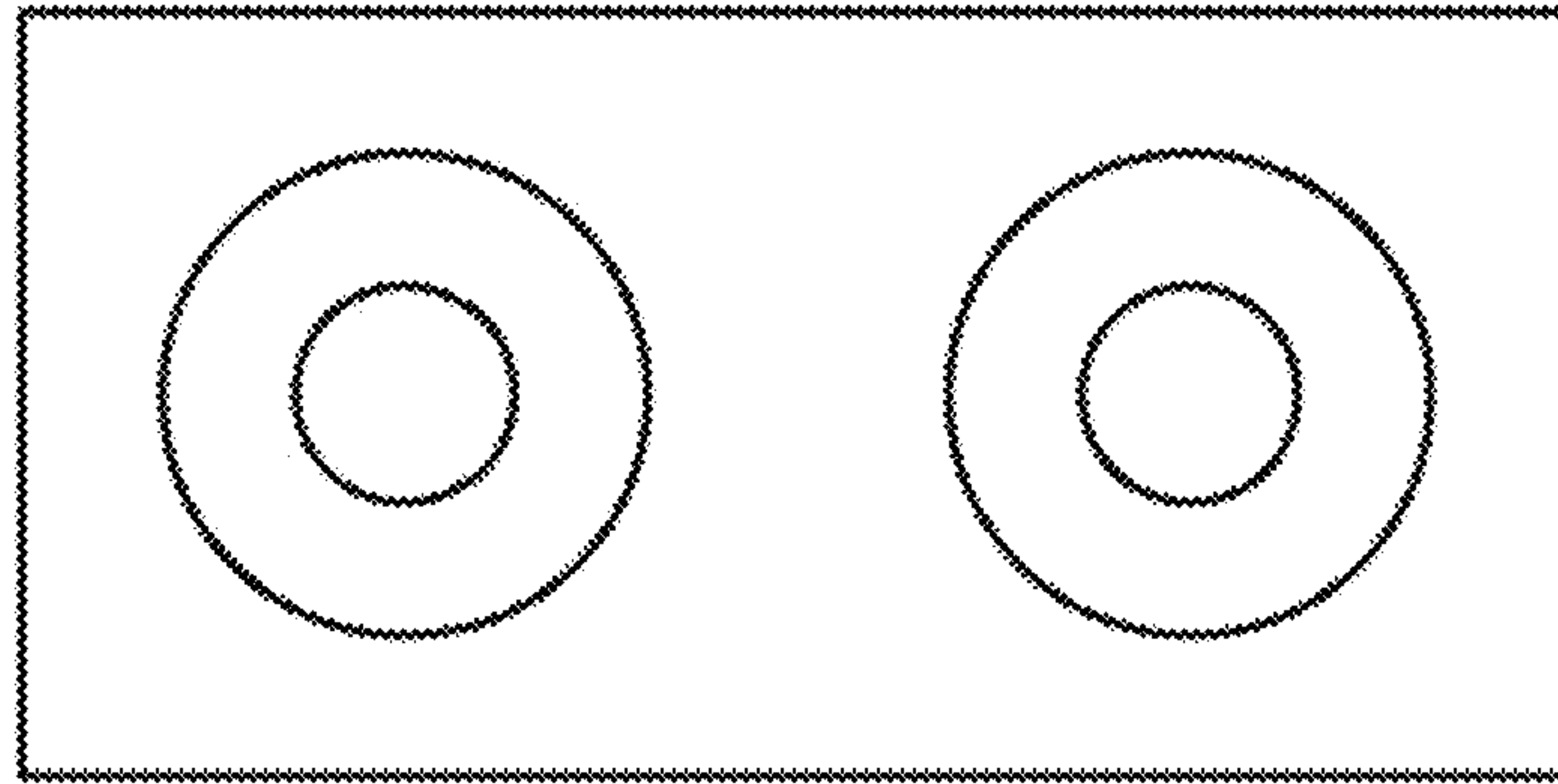


FIG. 6

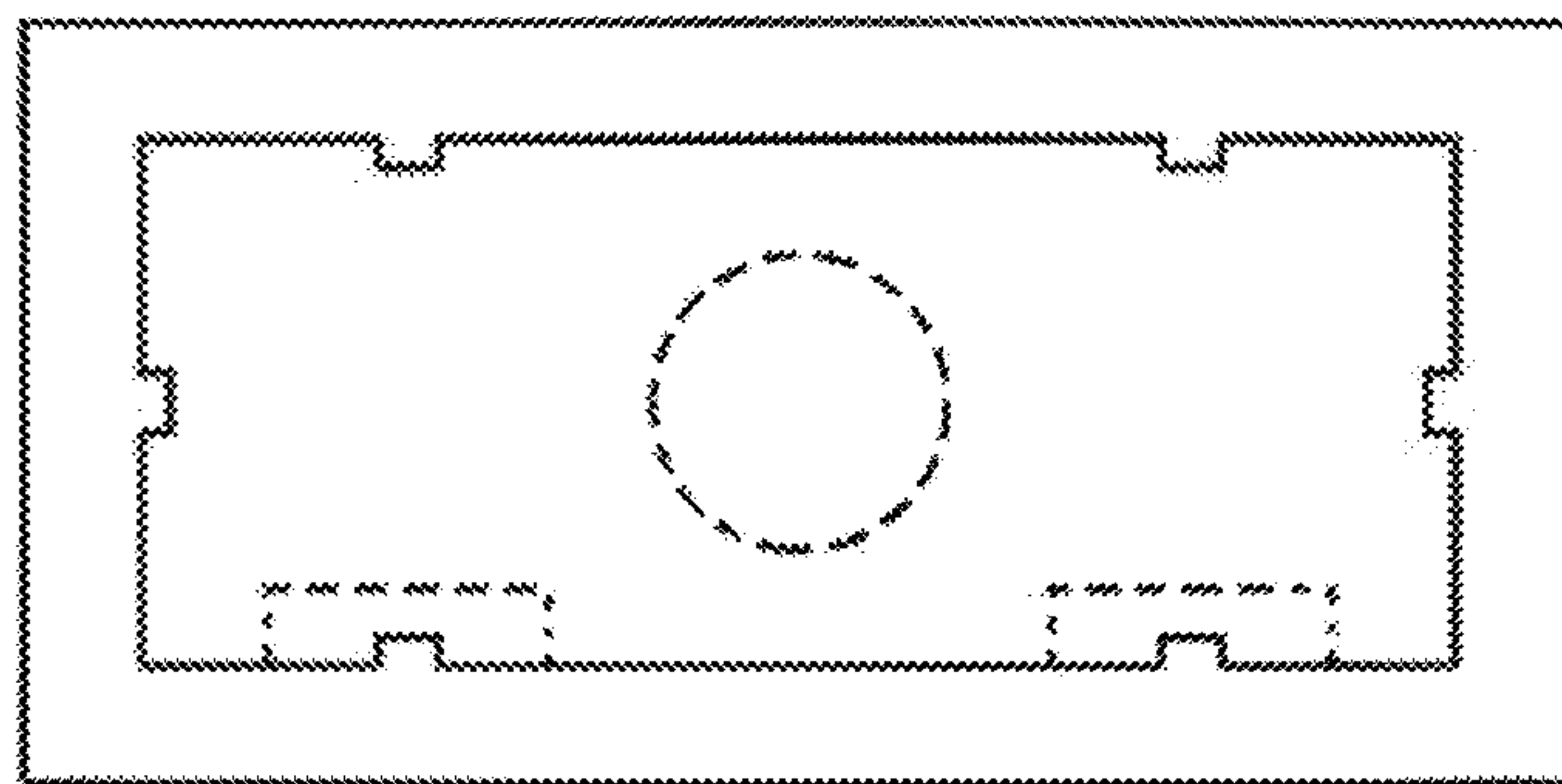


FIG. 7

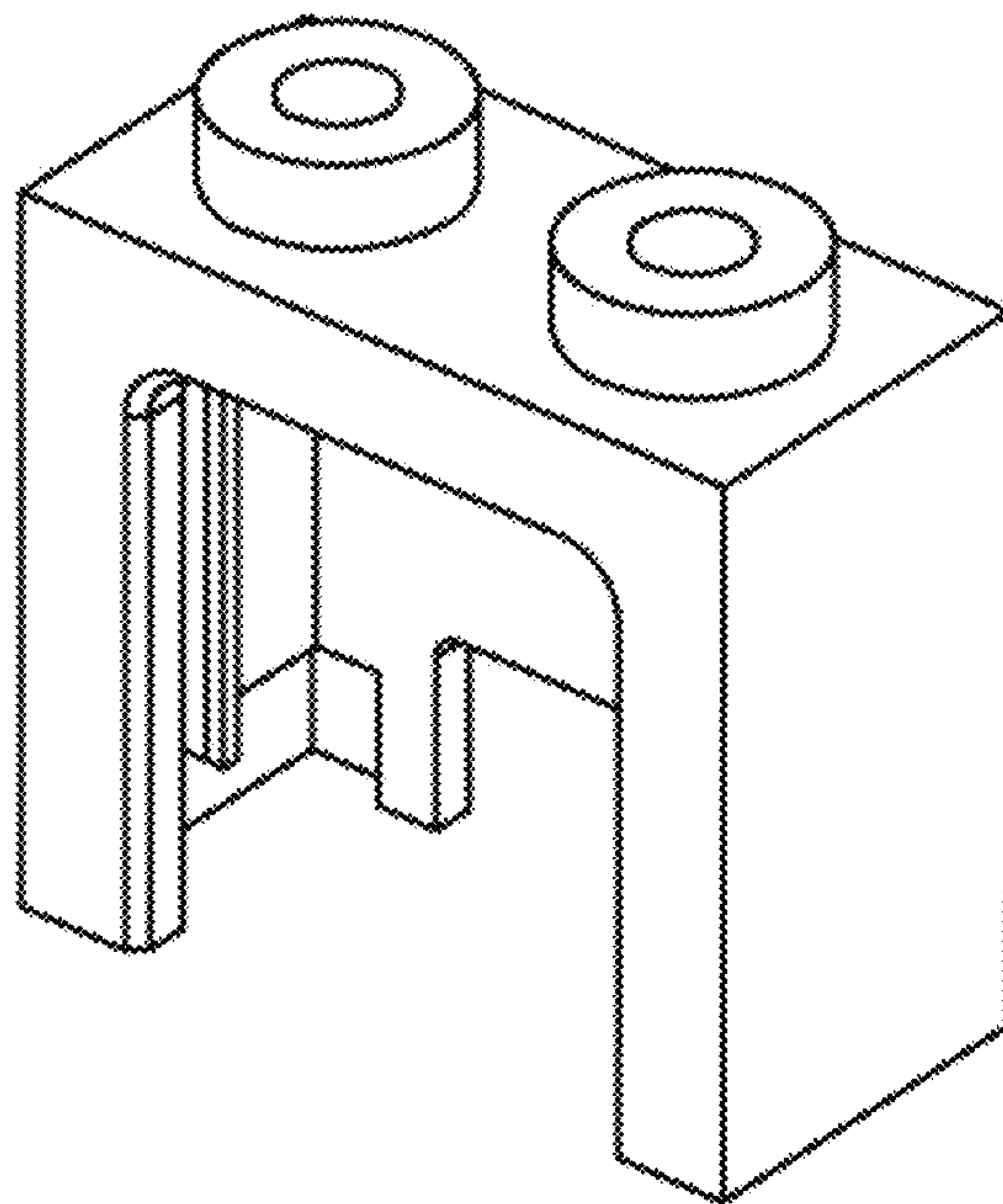


FIG. 8

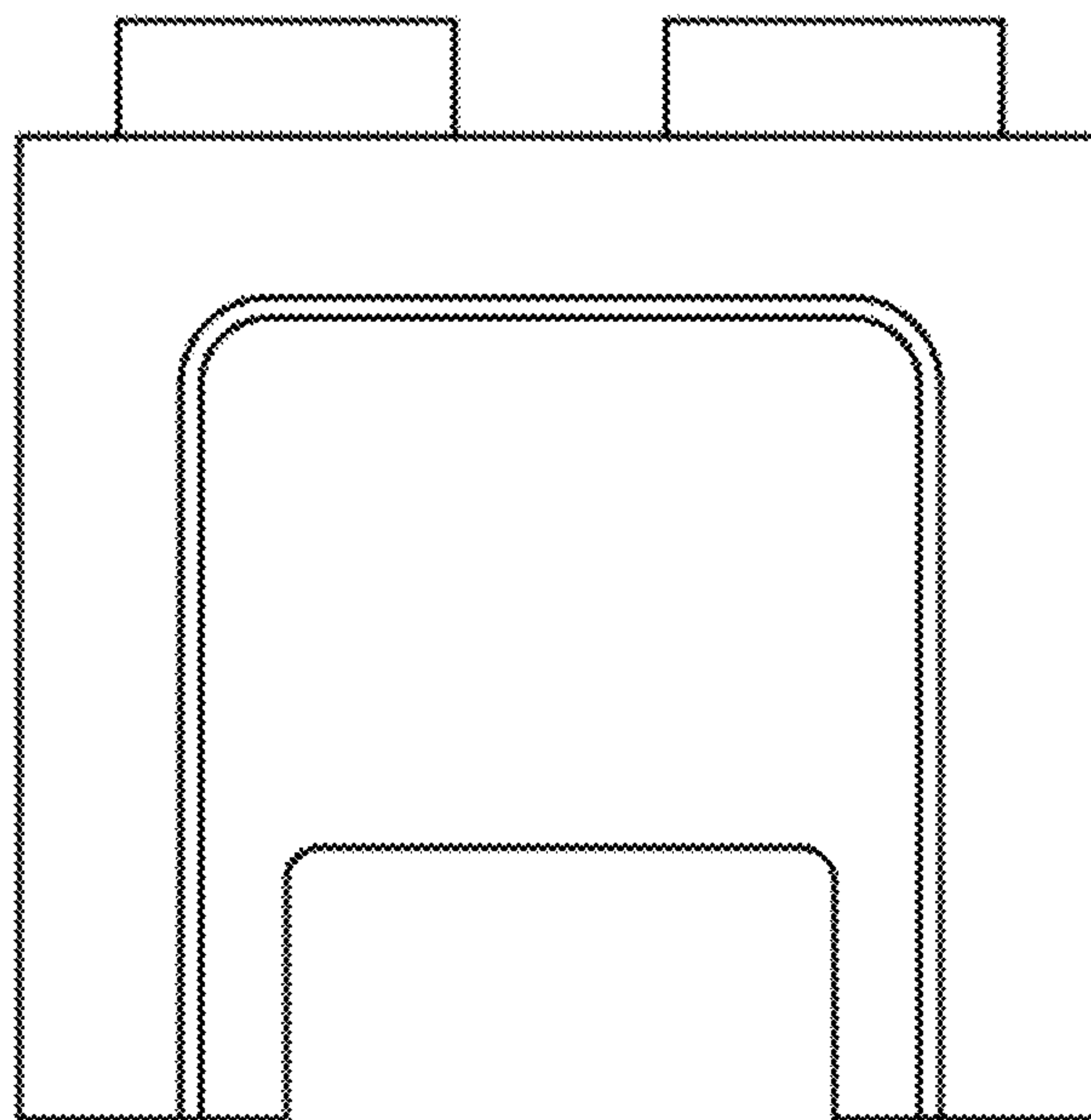


FIG. 9

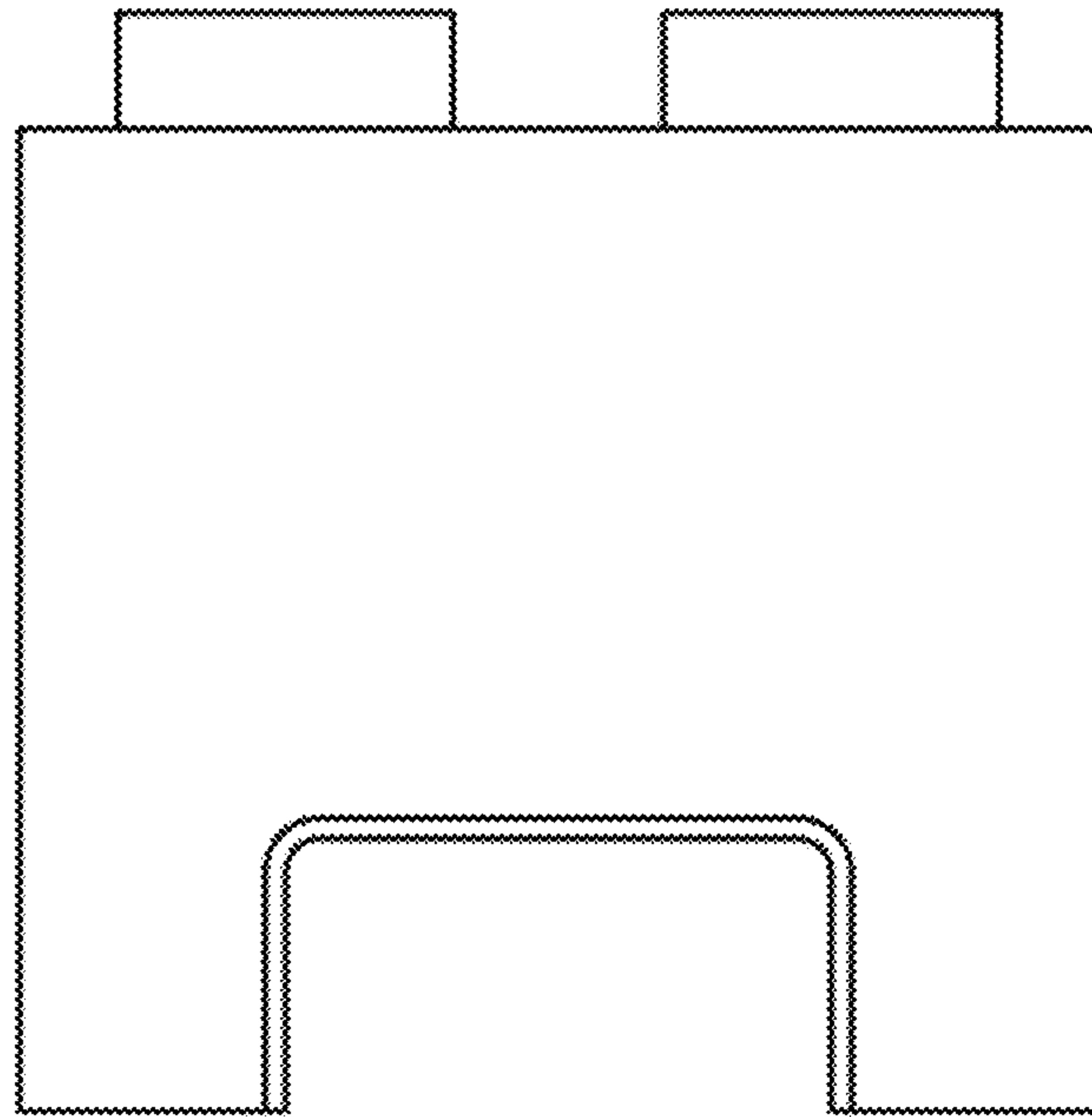


FIG. 10



FIG. 11

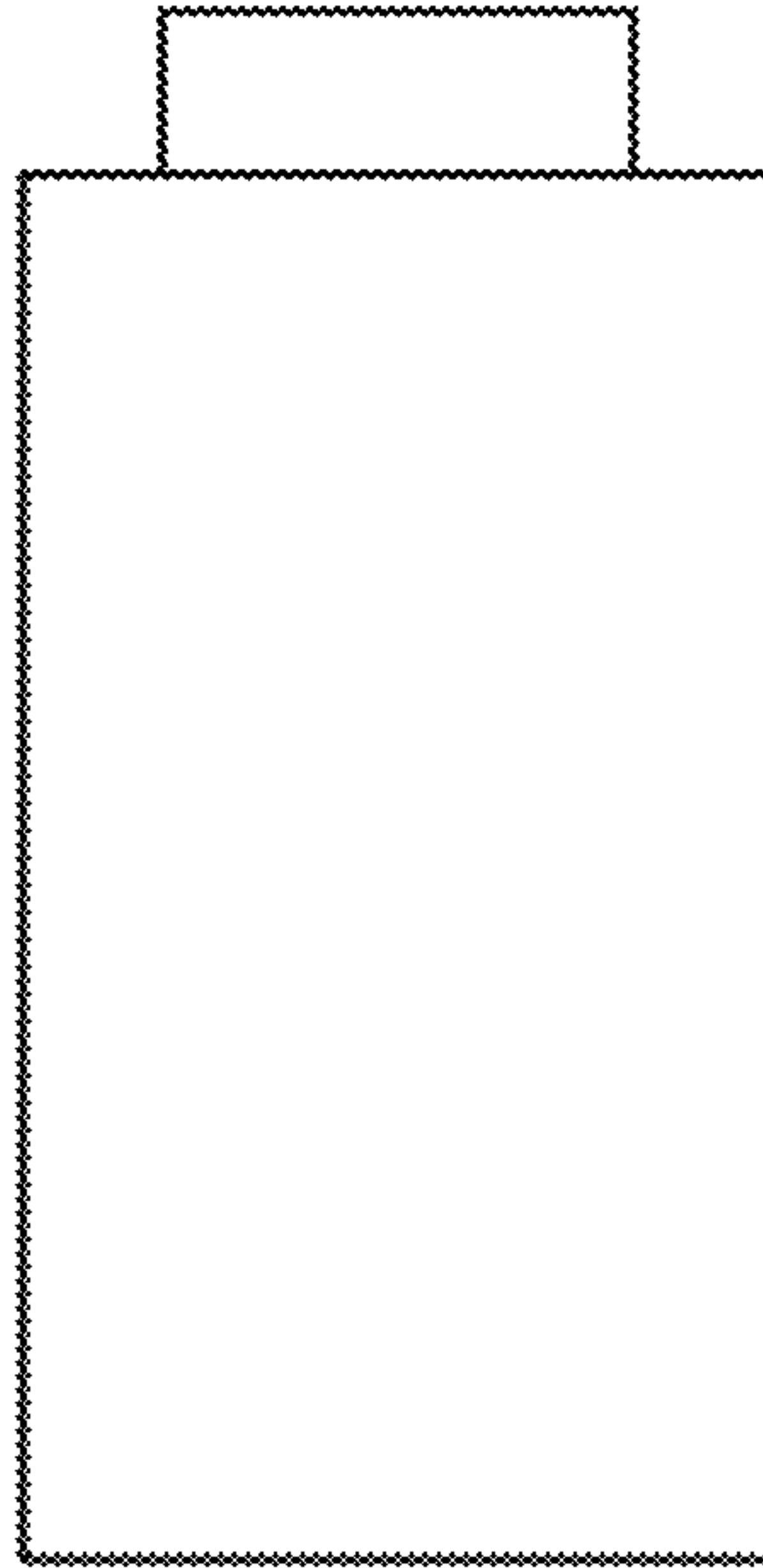


FIG. 12

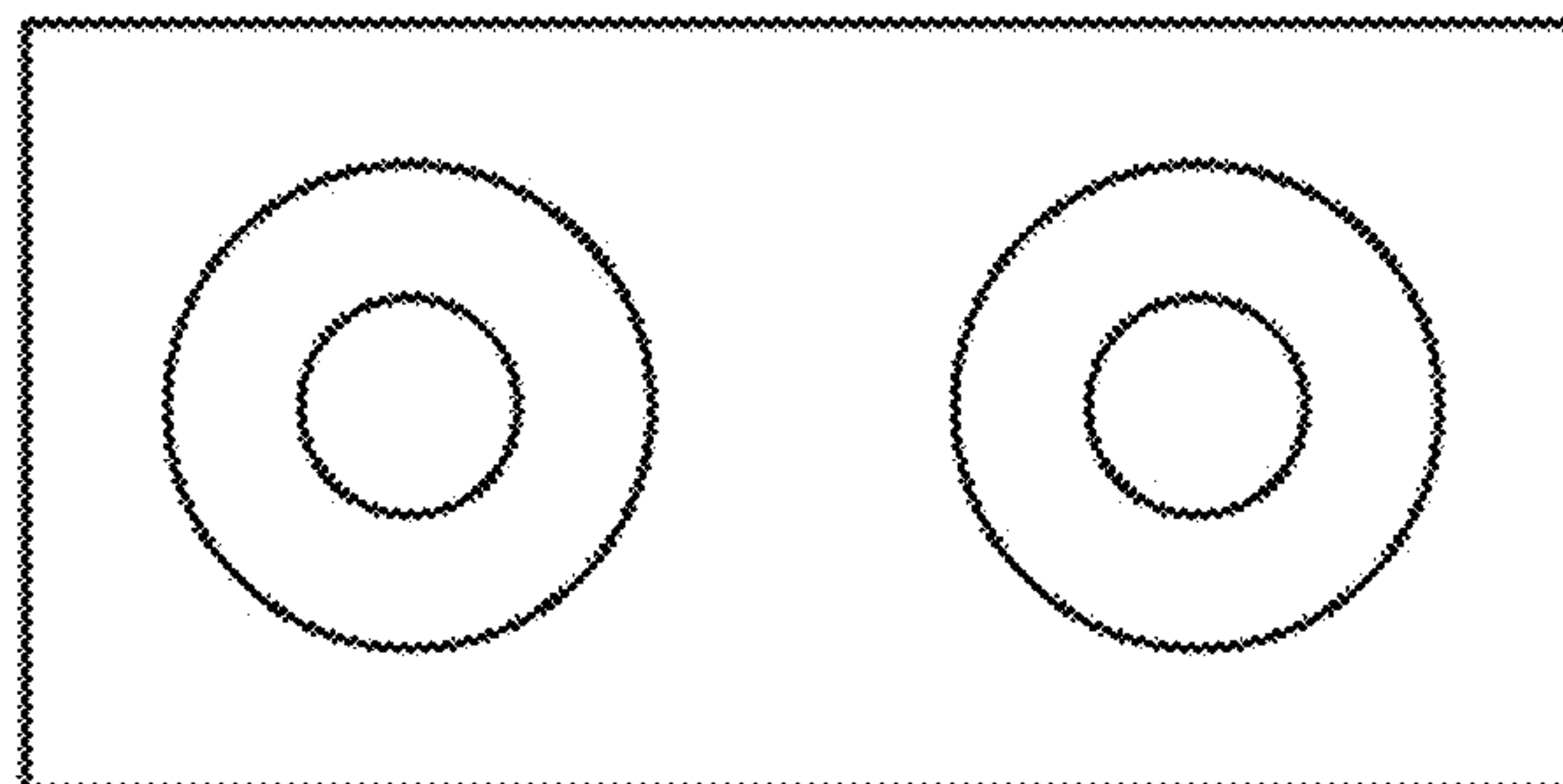


FIG. 13

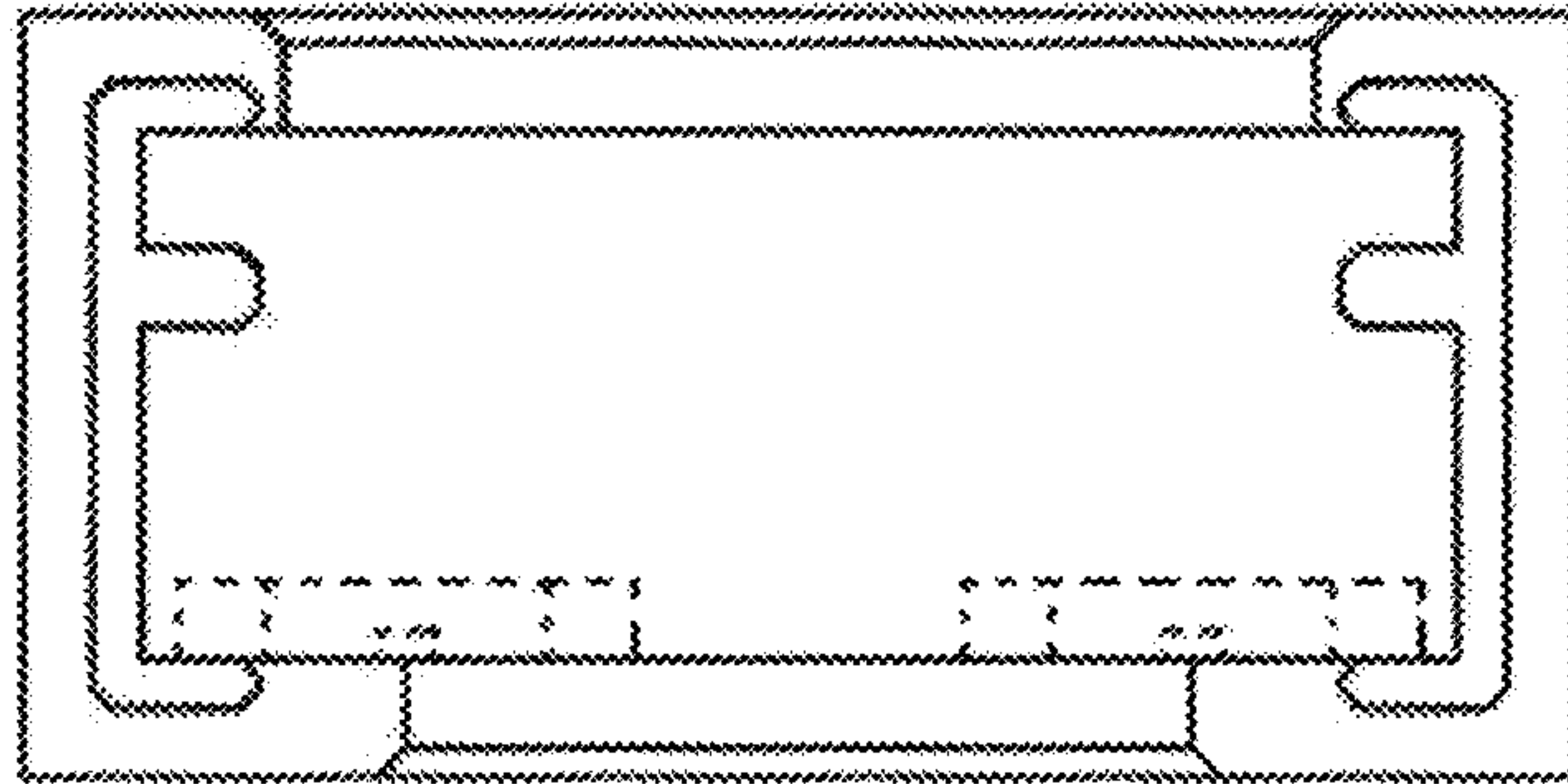


FIG. 14

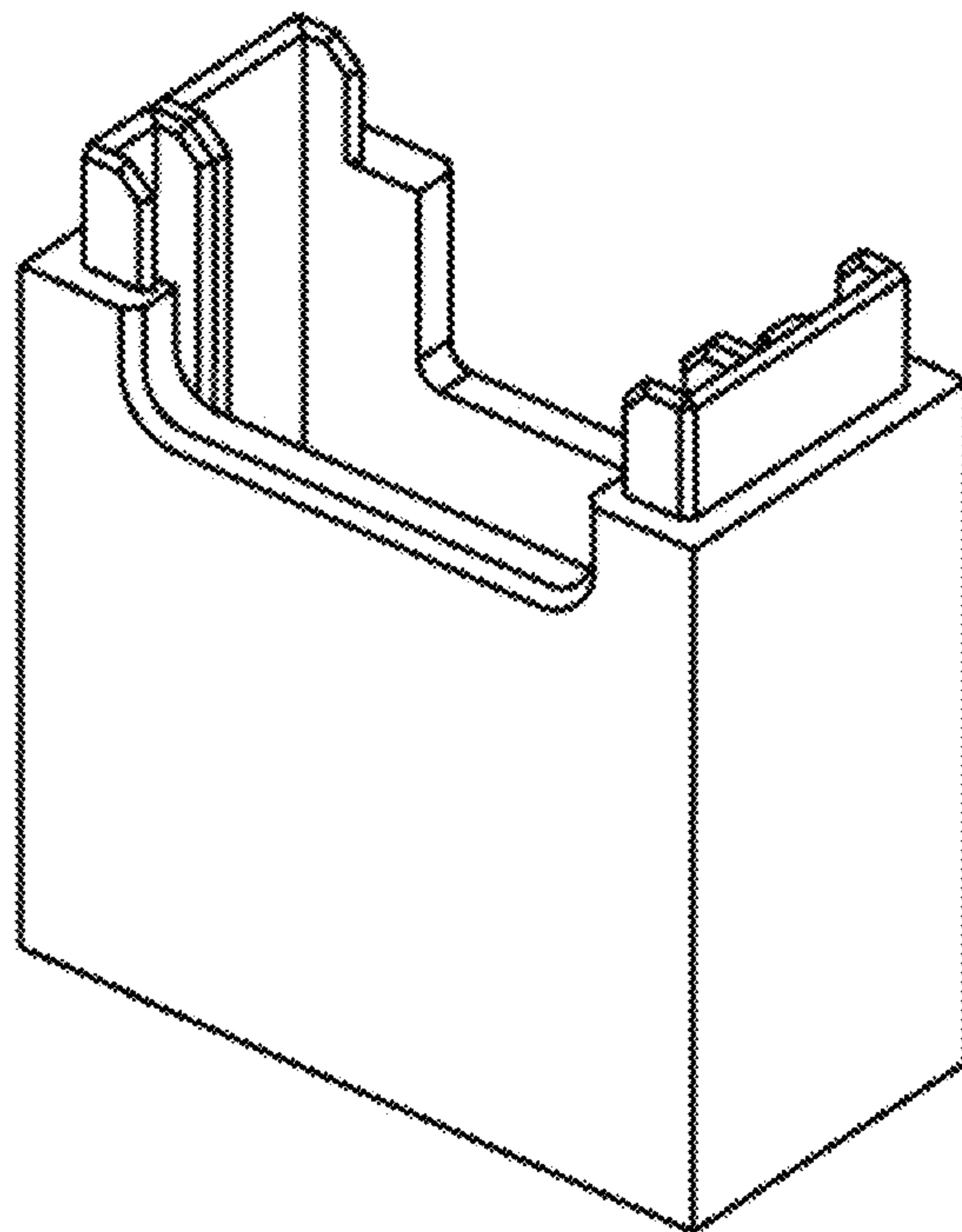


FIG. 15

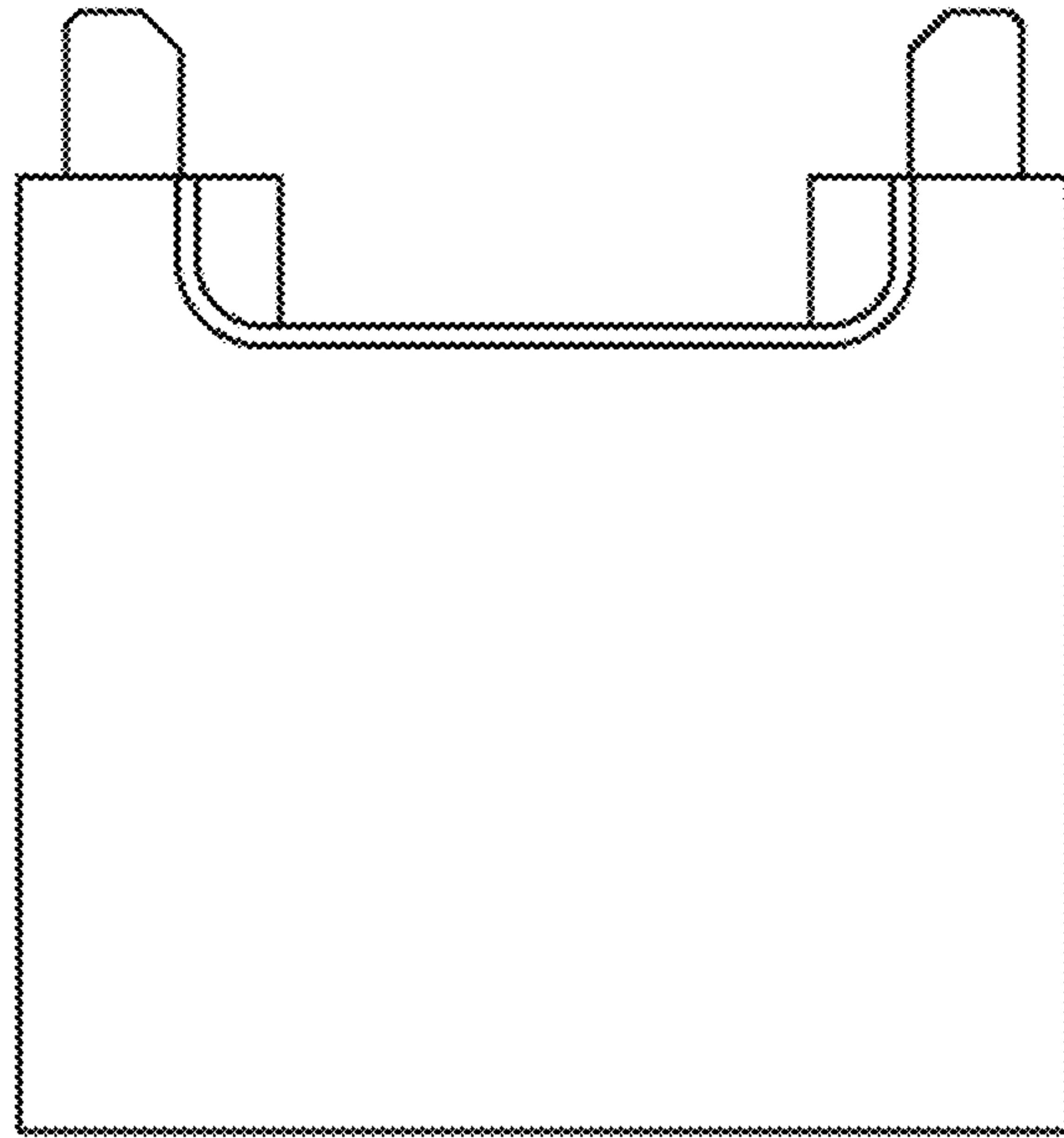


FIG. 16

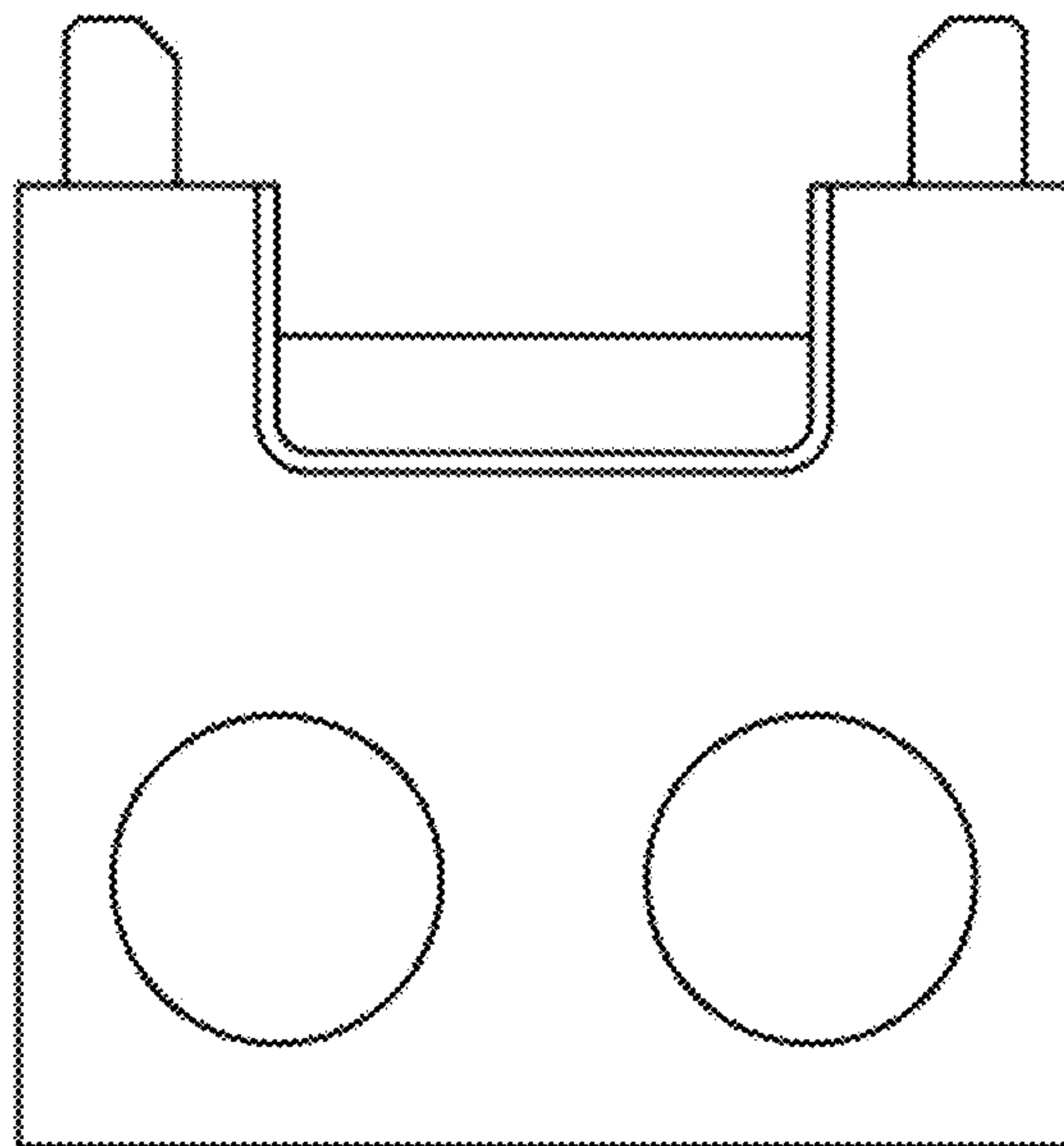


FIG. 17

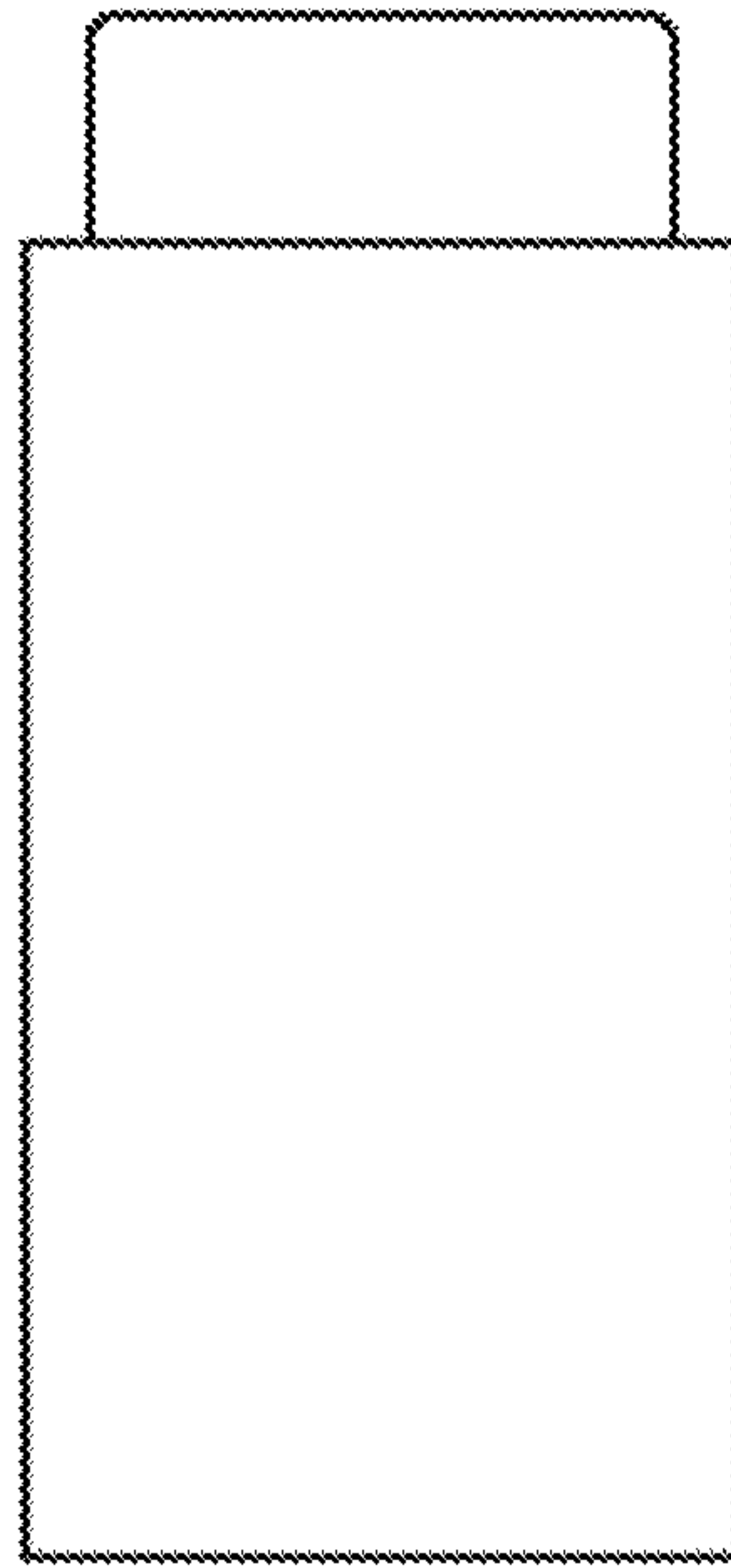


FIG. 18

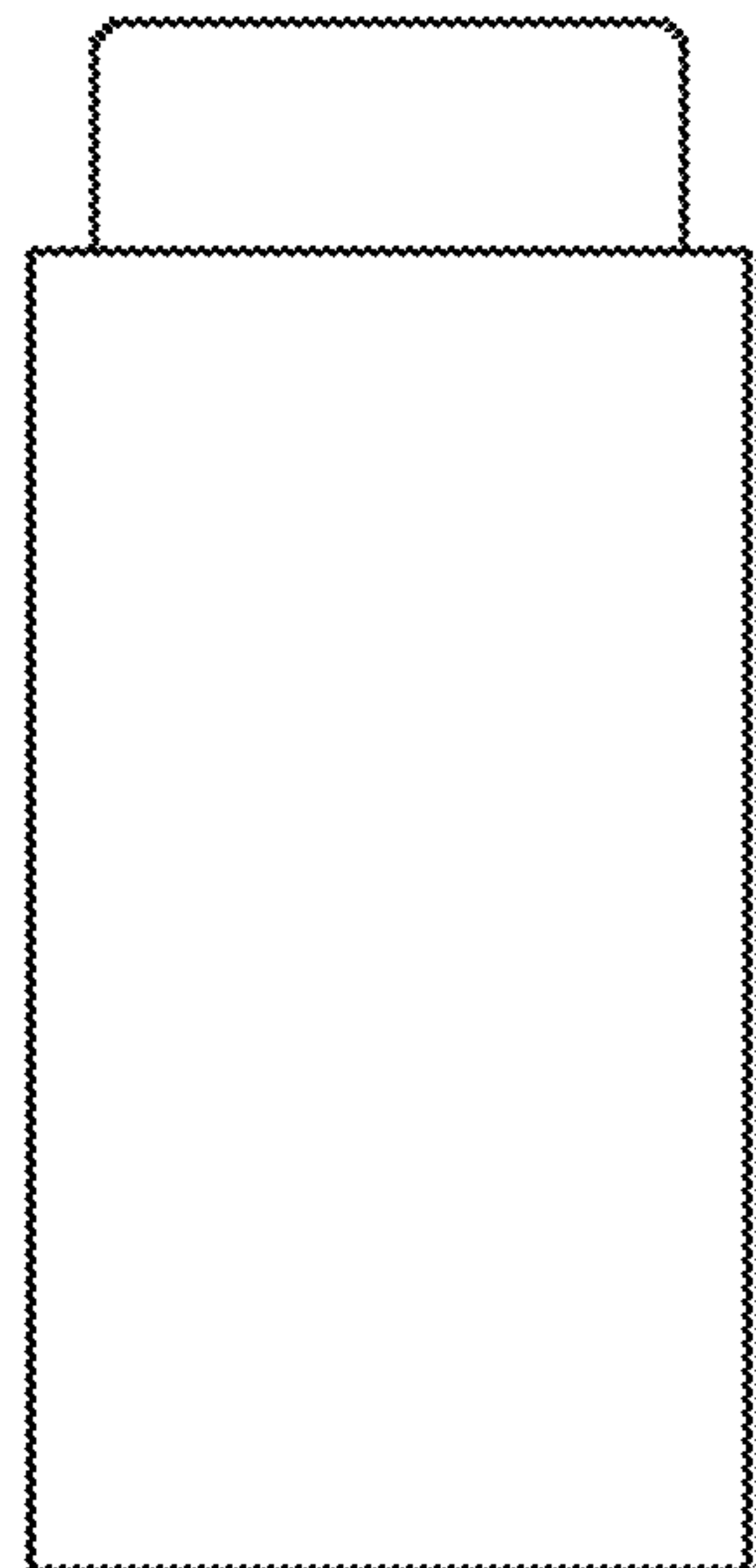


FIG. 19

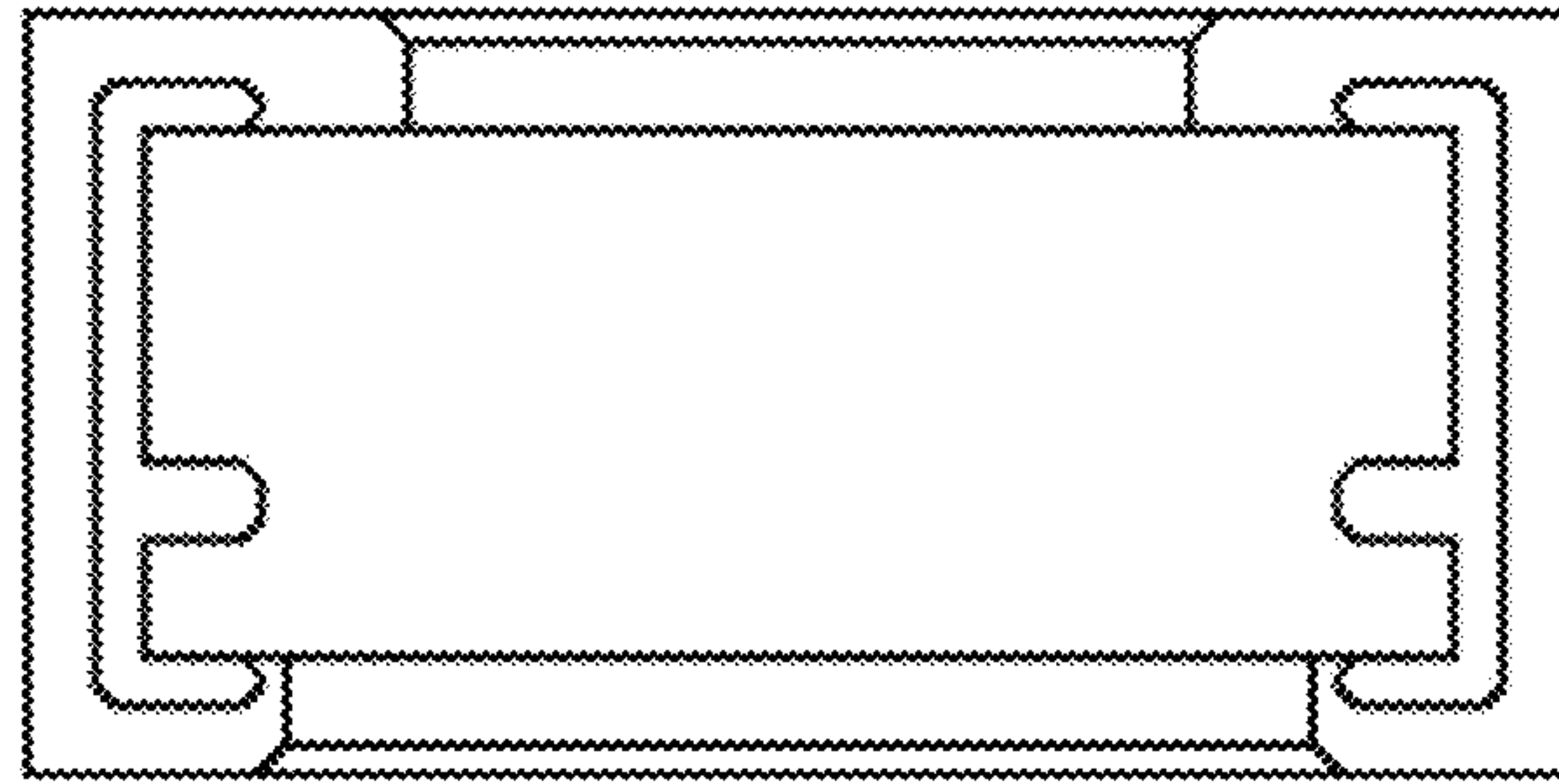


FIG. 20

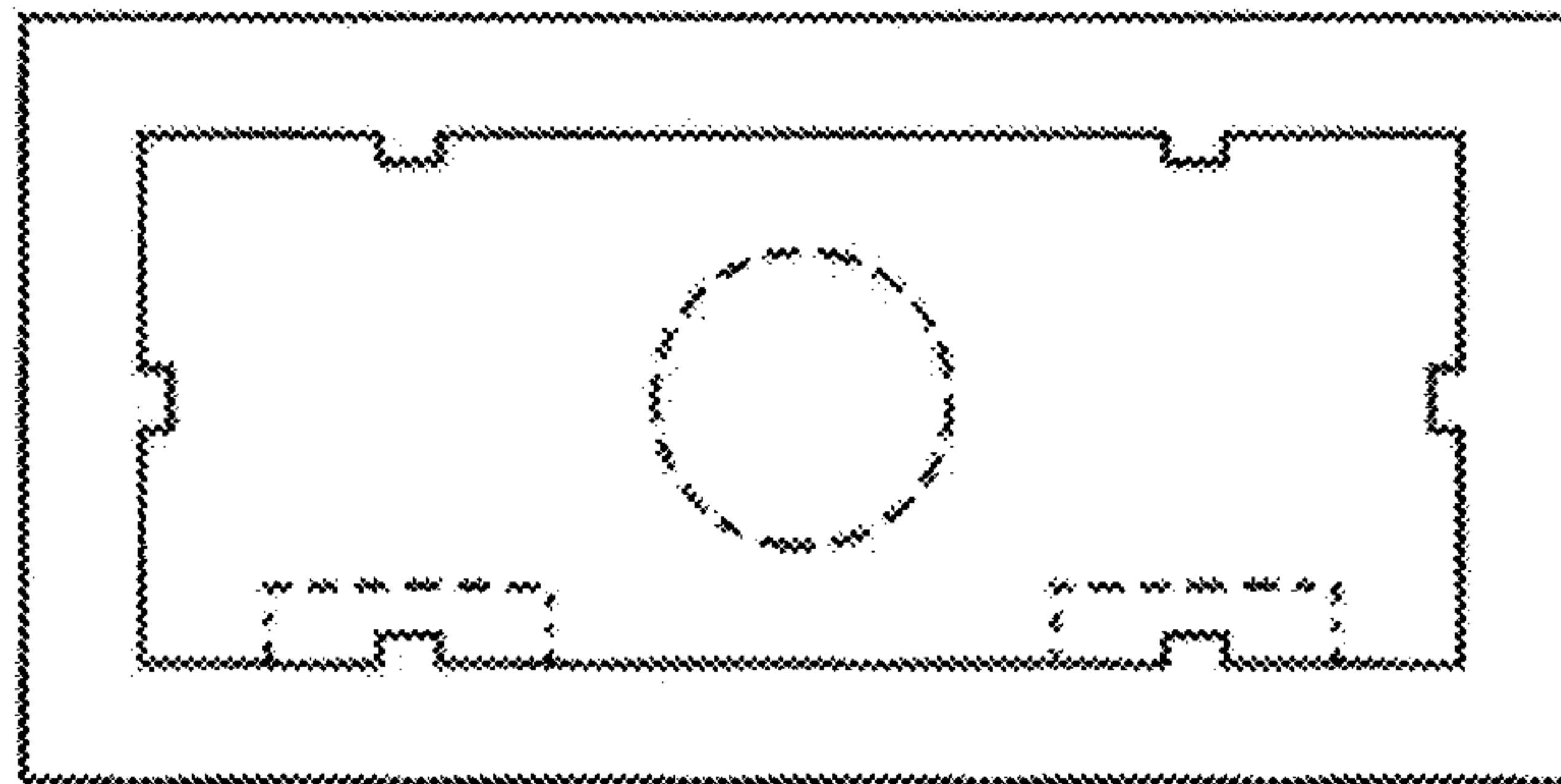


FIG. 21

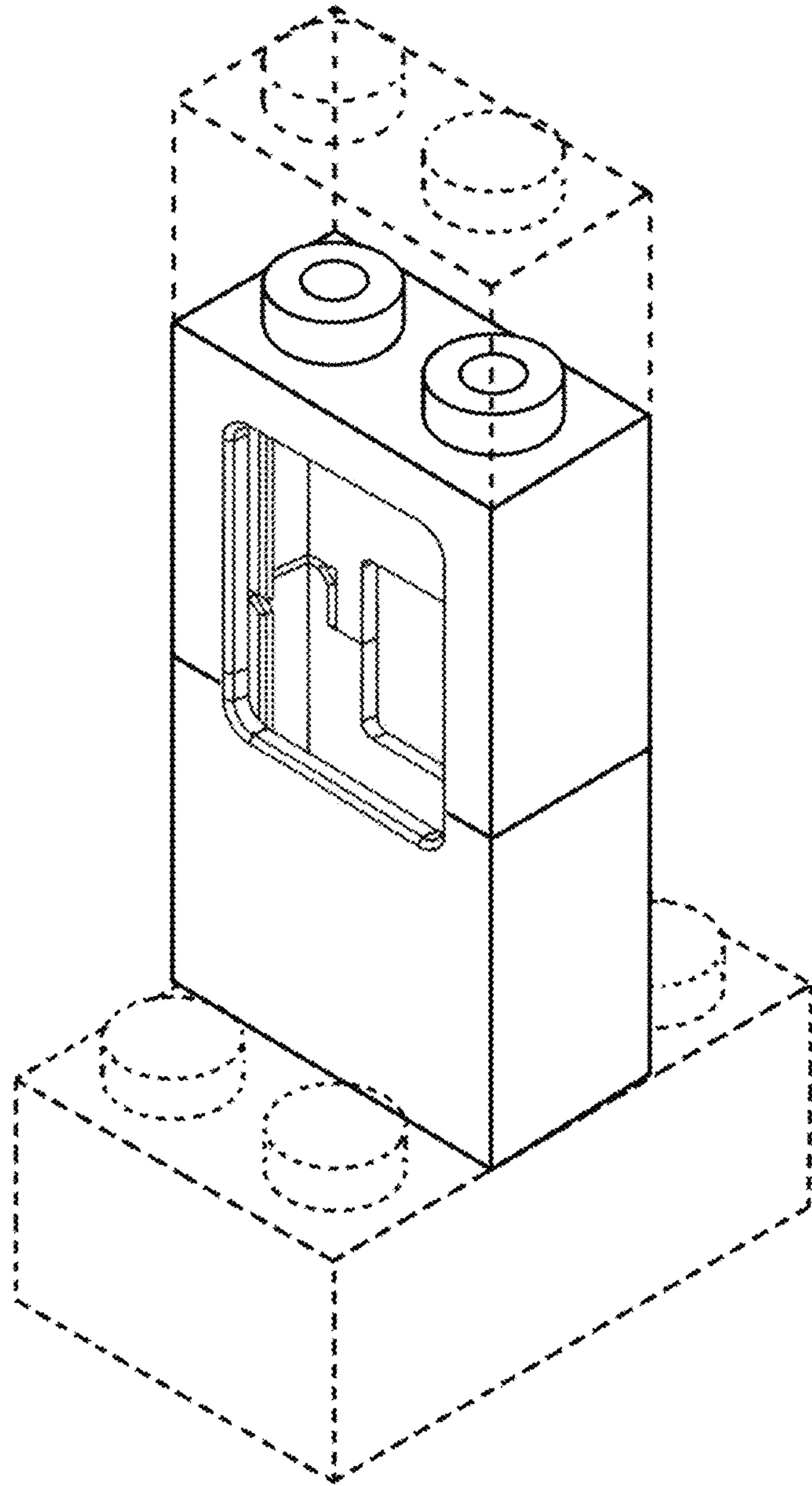


FIG. 22

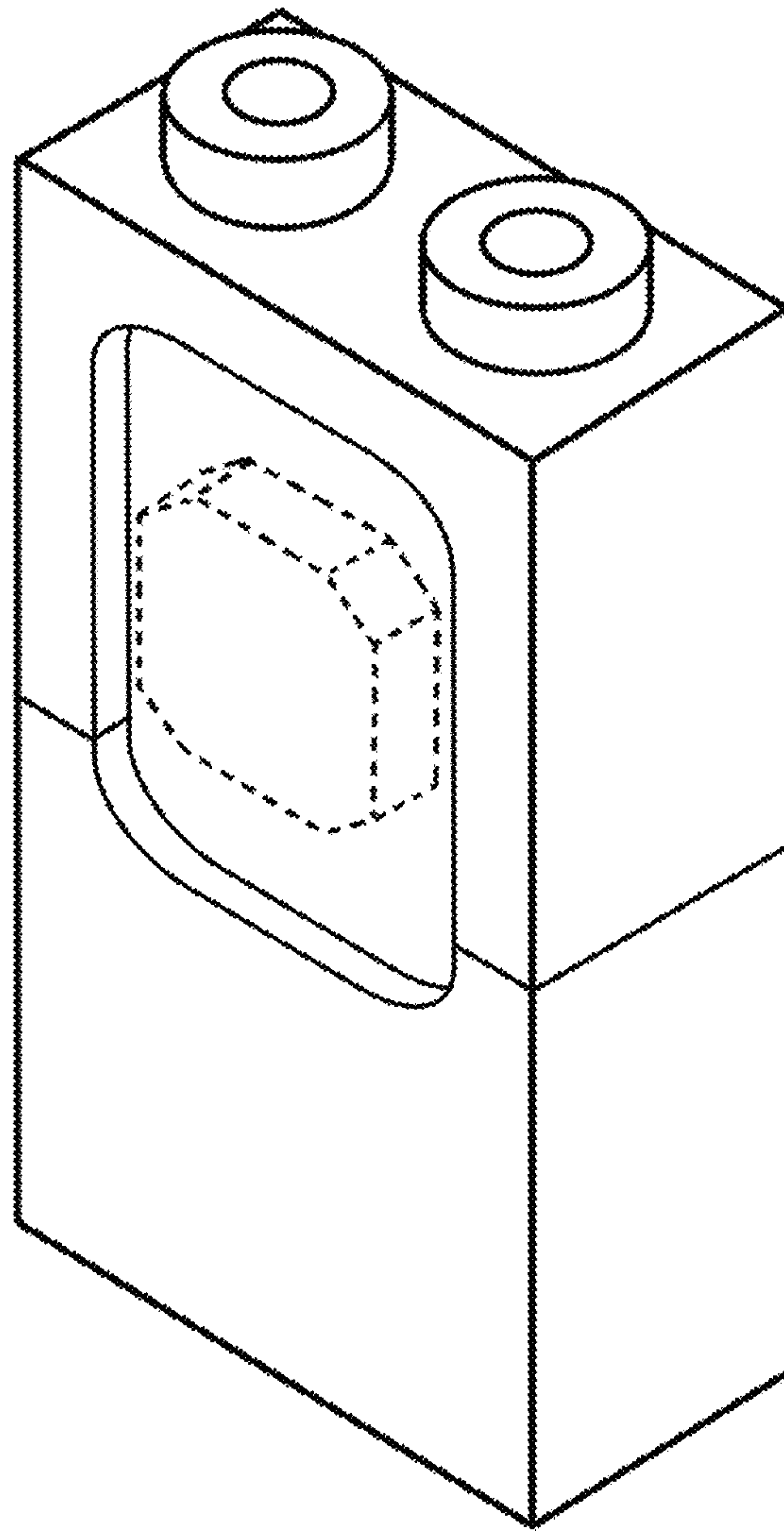


FIG. 23

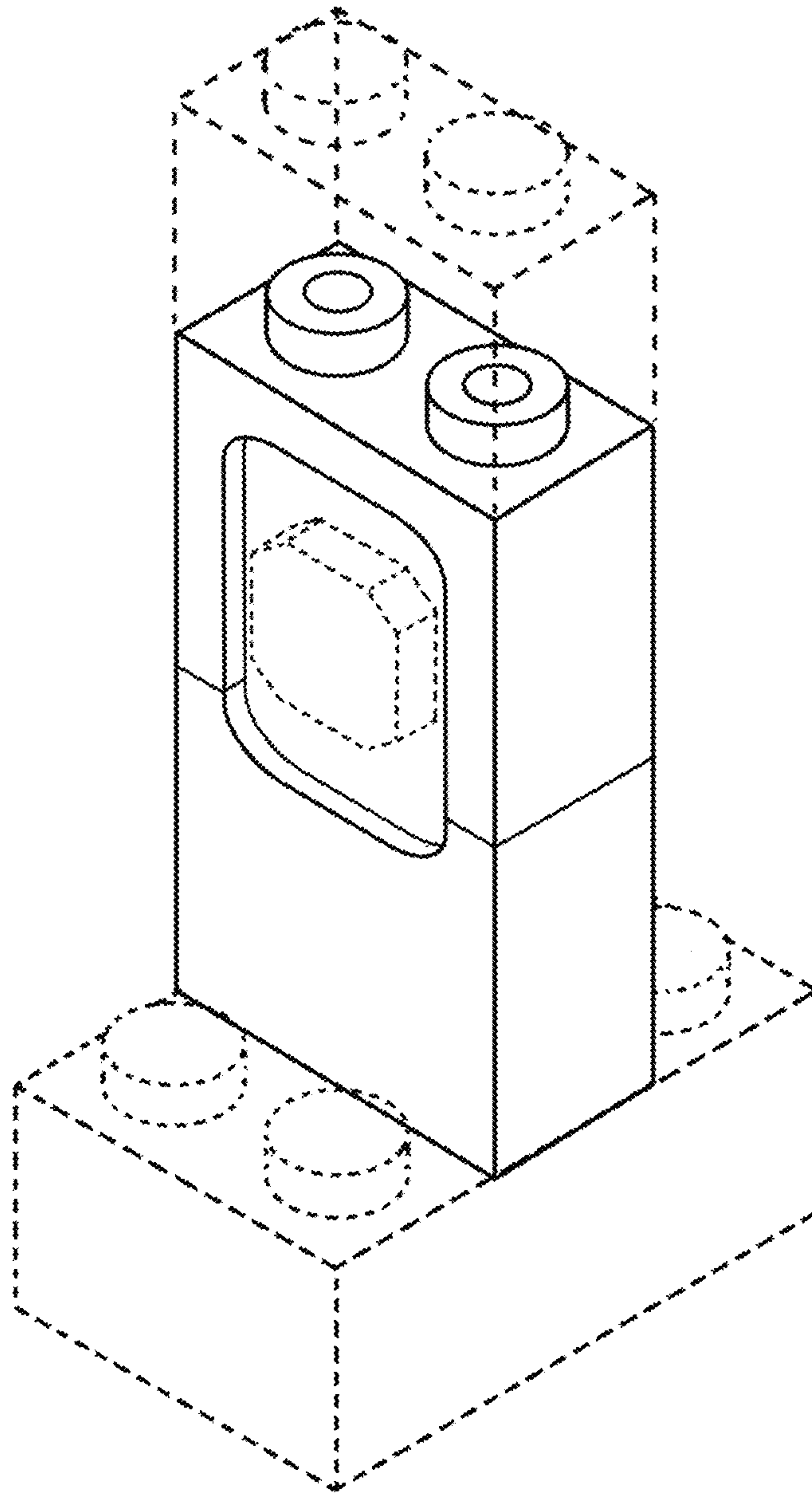


FIG. 24