



US00D817411S

(12) **United States Design Patent**  
**Simonds**

(10) **Patent No.:** **US D817,411 S**

(45) **Date of Patent:** **\*\* May 8, 2018**

(54) **TOY BLOCK**

(71) Applicant: **Chiswick Innovations Limited,**  
London (GB)

(72) Inventor: **Colin Duncan Simonds,** London (GB)

(73) Assignee: **CHISWICK INNOVATIONS LIMITED,** London (GB)

(\*\*) Term: **15 Years**

(21) Appl. No.: **29/566,627**

(22) Filed: **Jun. 1, 2016**

(51) **LOC (11) Cl.** ..... **21-01**

(52) **U.S. Cl.**  
USPC ..... **D21/491**

(58) **Field of Classification Search**  
USPC ..... D21/386, 389, 404, 468, 470, 471,  
D21/484-505  
CPC ..... A63H 33/00; A63H 33/04; A63H 33/044;  
A63H 33/06; A63H 33/08; A63H 33/084;  
A63H 33/086; A63H 33/088; A63H  
33/10; A63H 33/12; A63H 33/105; A63H  
33/108; A63H 3/00; A63H 3/16; A63H  
3/46; E04C 1/00; E04C 1/40; E04B 2/14;  
E04B 2/16; E04B 2/18

See application file for complete search history.

(56) **References Cited**

**U.S. PATENT DOCUMENTS**

3,827,177 A \* 8/1974 Wengel ..... A63H 33/101  
446/112  
D400,604 S \* 11/1998 Glickman ..... D21/484

D404,090 S \* 1/1999 Glickman ..... D21/491  
6,068,533 A \* 5/2000 Glickman ..... A63H 33/101  
446/108  
6,089,941 A \* 7/2000 Glickman ..... A63H 33/101  
446/108  
6,634,920 B1 \* 10/2003 Michaelsen ..... A63H 33/04  
446/128  
6,772,986 B1 \* 8/2004 Bennett ..... F16B 12/20  
248/223.41  
D676,496 S \* 2/2013 Mimplitch, III ..... D21/485  
D731,595 S \* 6/2015 Jensen ..... D21/491  
D731,596 S \* 6/2015 Jensen ..... D21/491  
D777,845 S \* 1/2017 Marcil ..... D21/491

\* cited by examiner

*Primary Examiner* — Cynthia M Chin

(74) *Attorney, Agent, or Firm* — Jacobson Holman,  
PLLC.

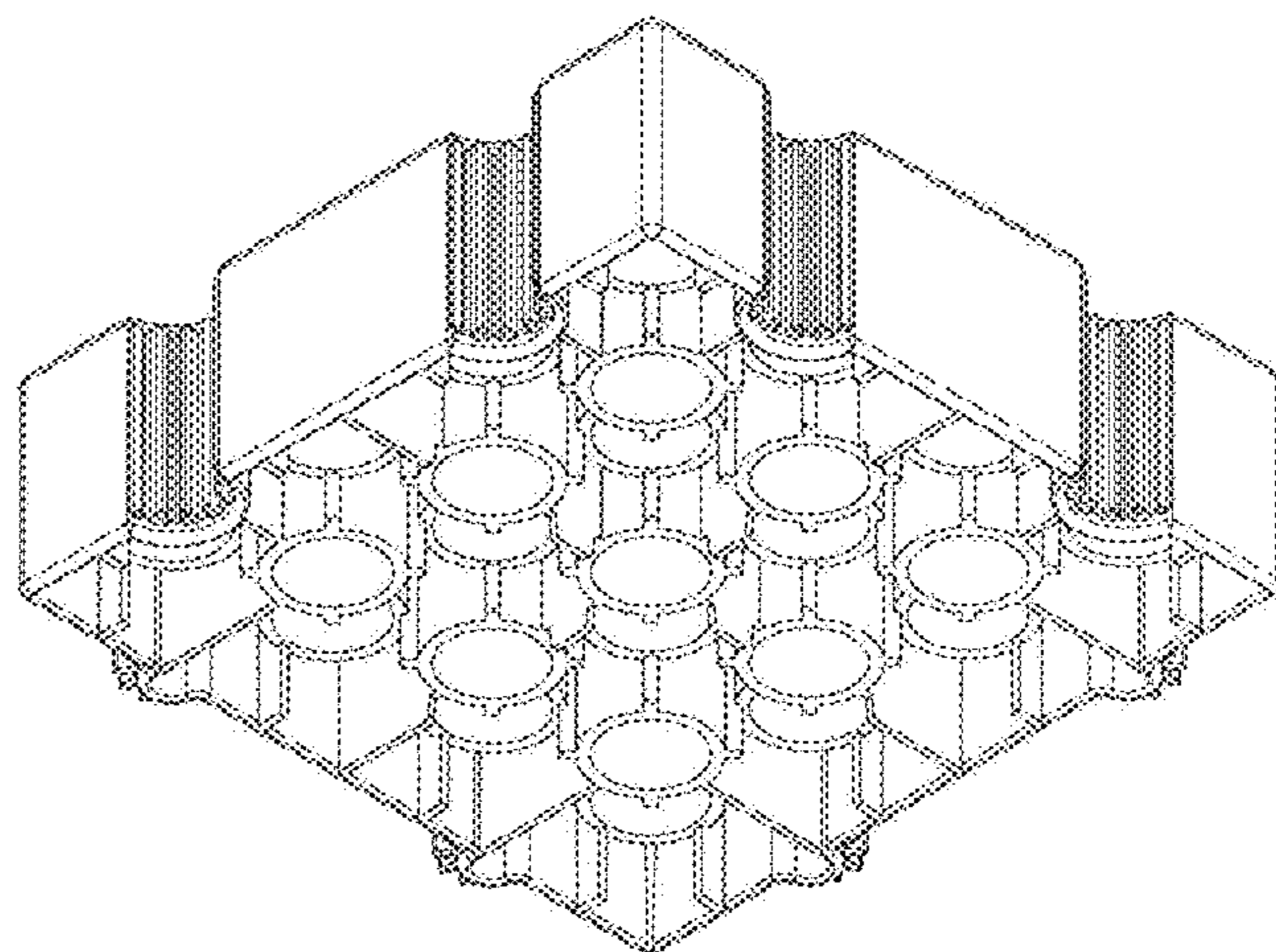
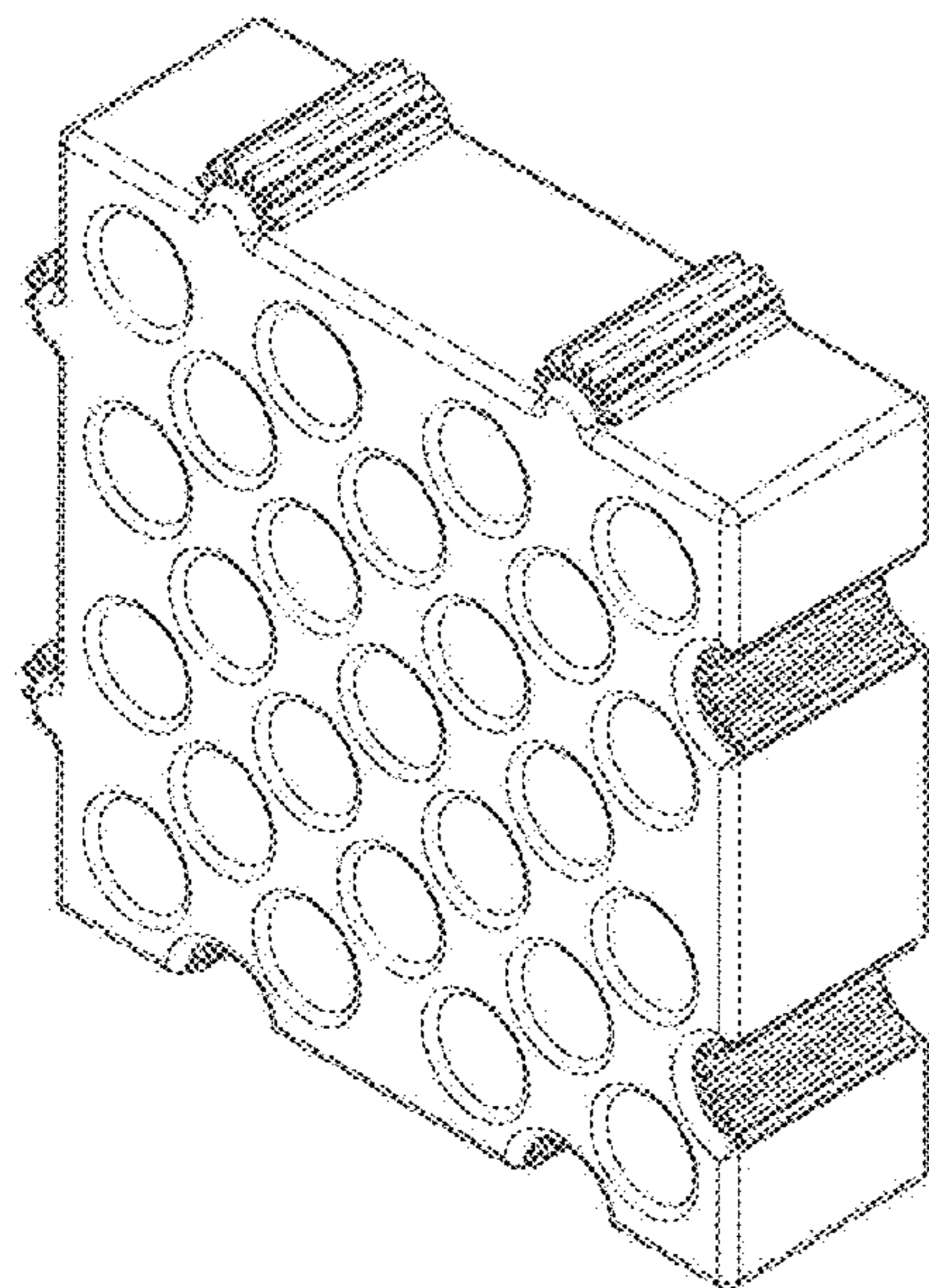
(57) **CLAIM**

I claim the ornamental design for a toy block, as shown and described.

**DESCRIPTION**

FIG. 1 is a front perspective view of a toy block embodying my design;  
FIG. 2 is a rear perspective view of FIG. 1;  
FIG. 3 is a top plan view of FIG. 1;  
FIG. 4 is a side elevational view of FIG. 1;  
FIG. 5 is a vertical view of FIG. 1; and,  
FIG. 6 is a bottom view of FIG. 1.

**1 Claim, 5 Drawing Sheets**



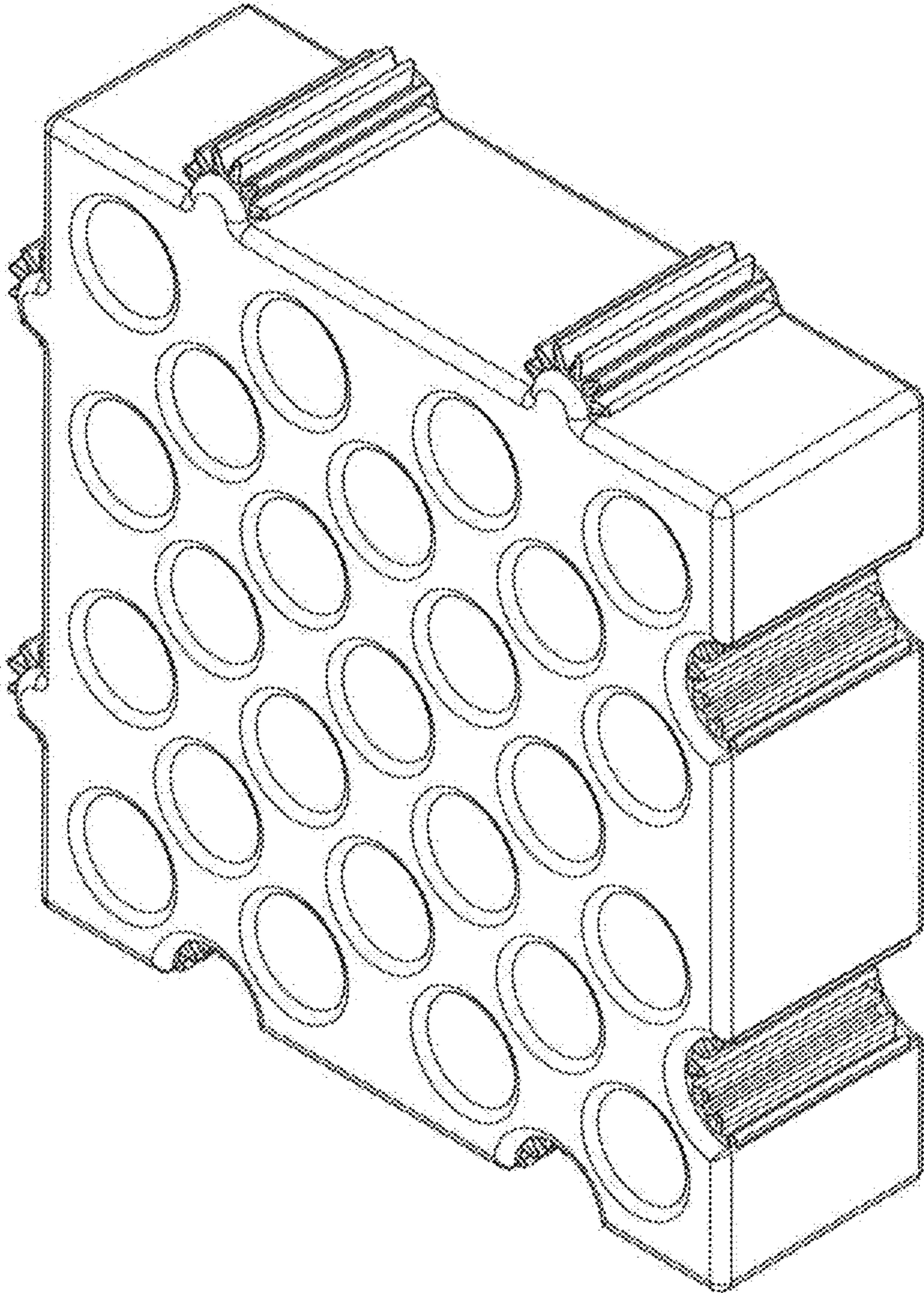


FIG. 1



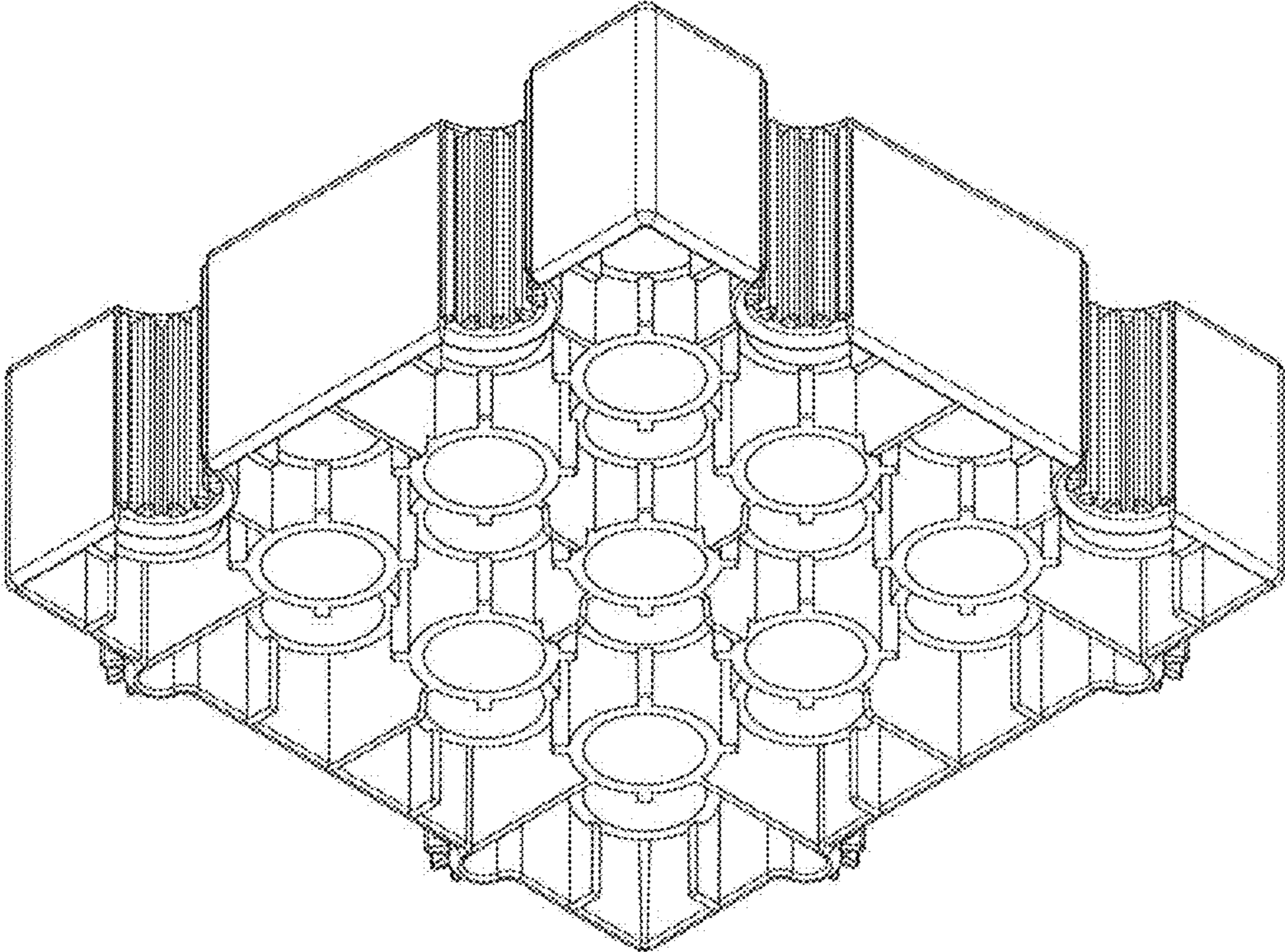


FIG. 2

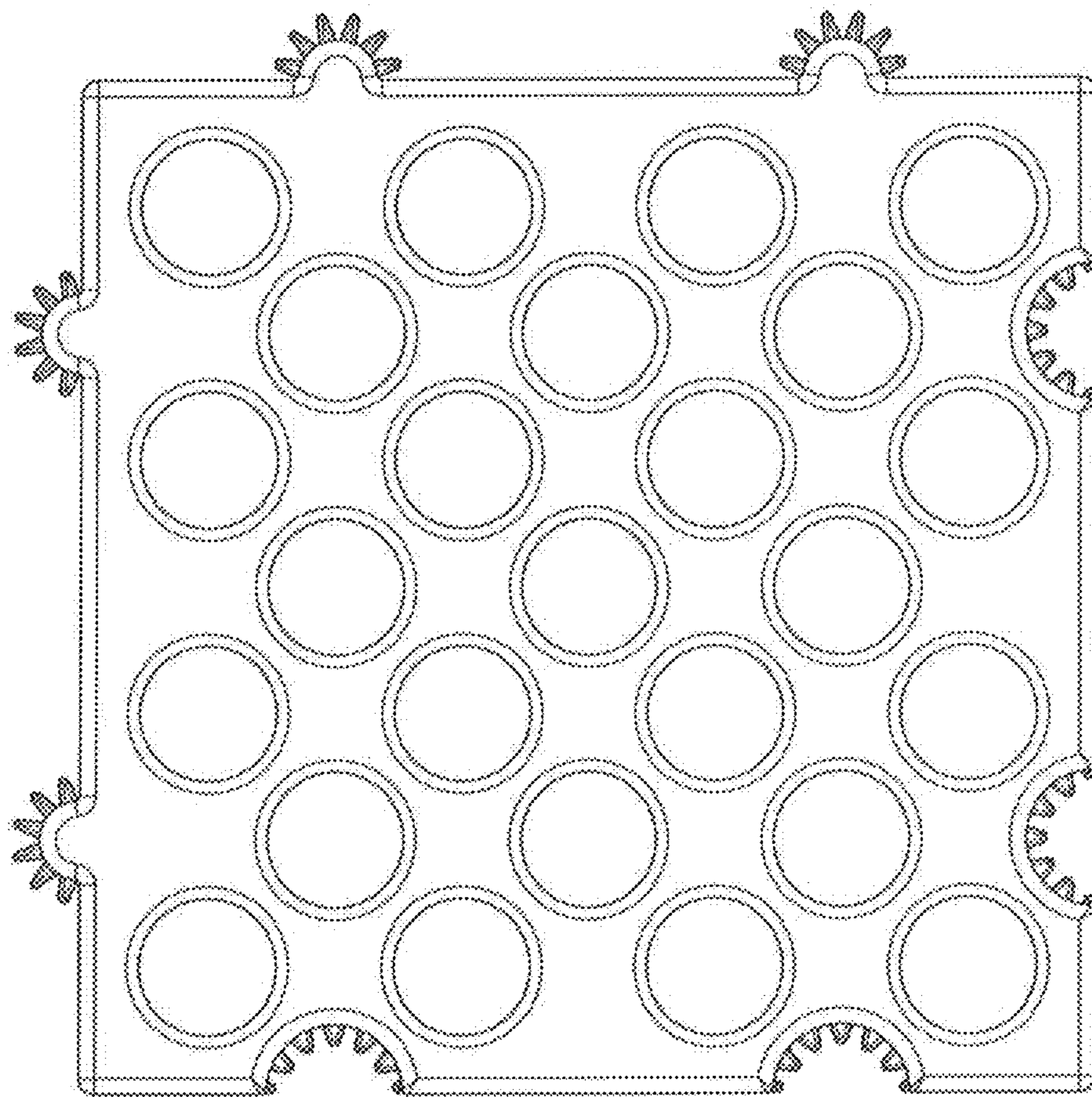


FIG. 3

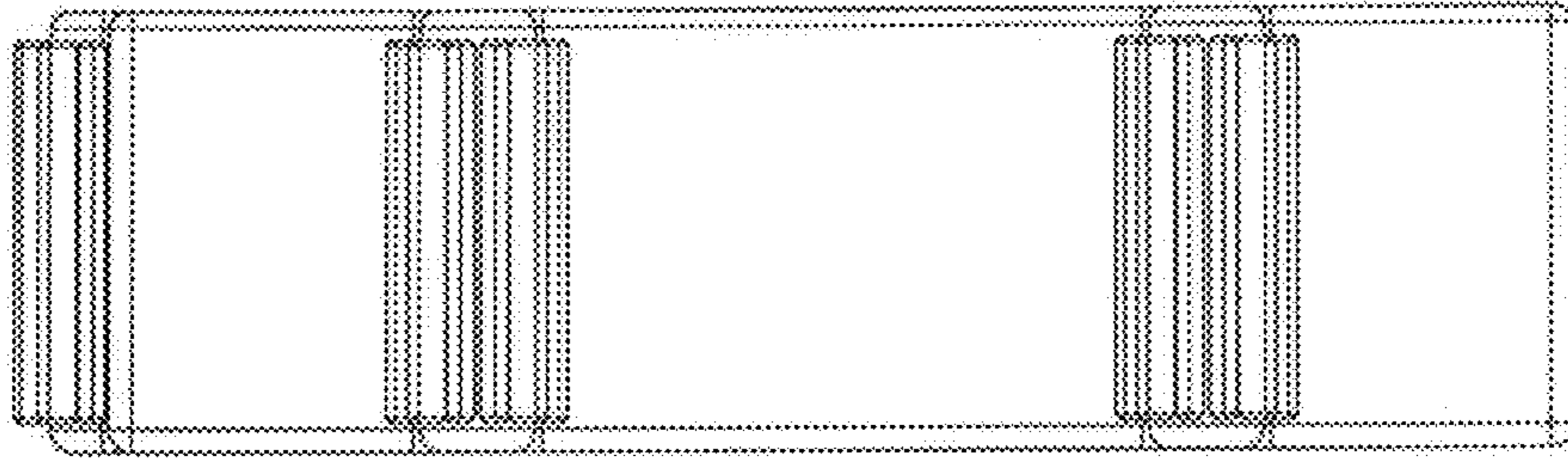


FIG. 4

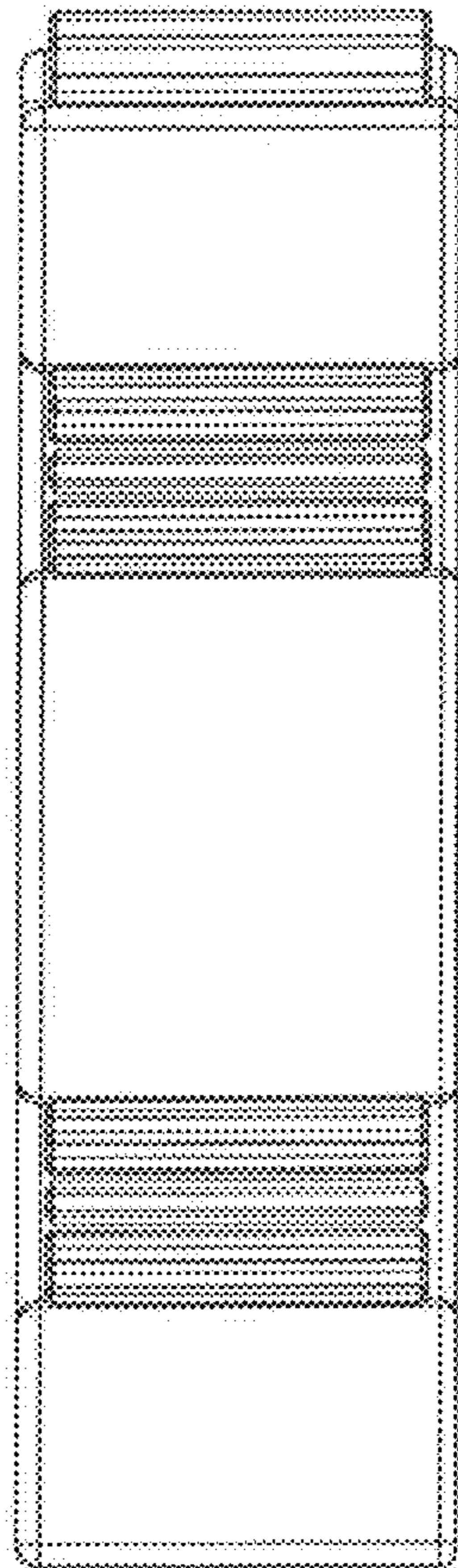


FIG. 5



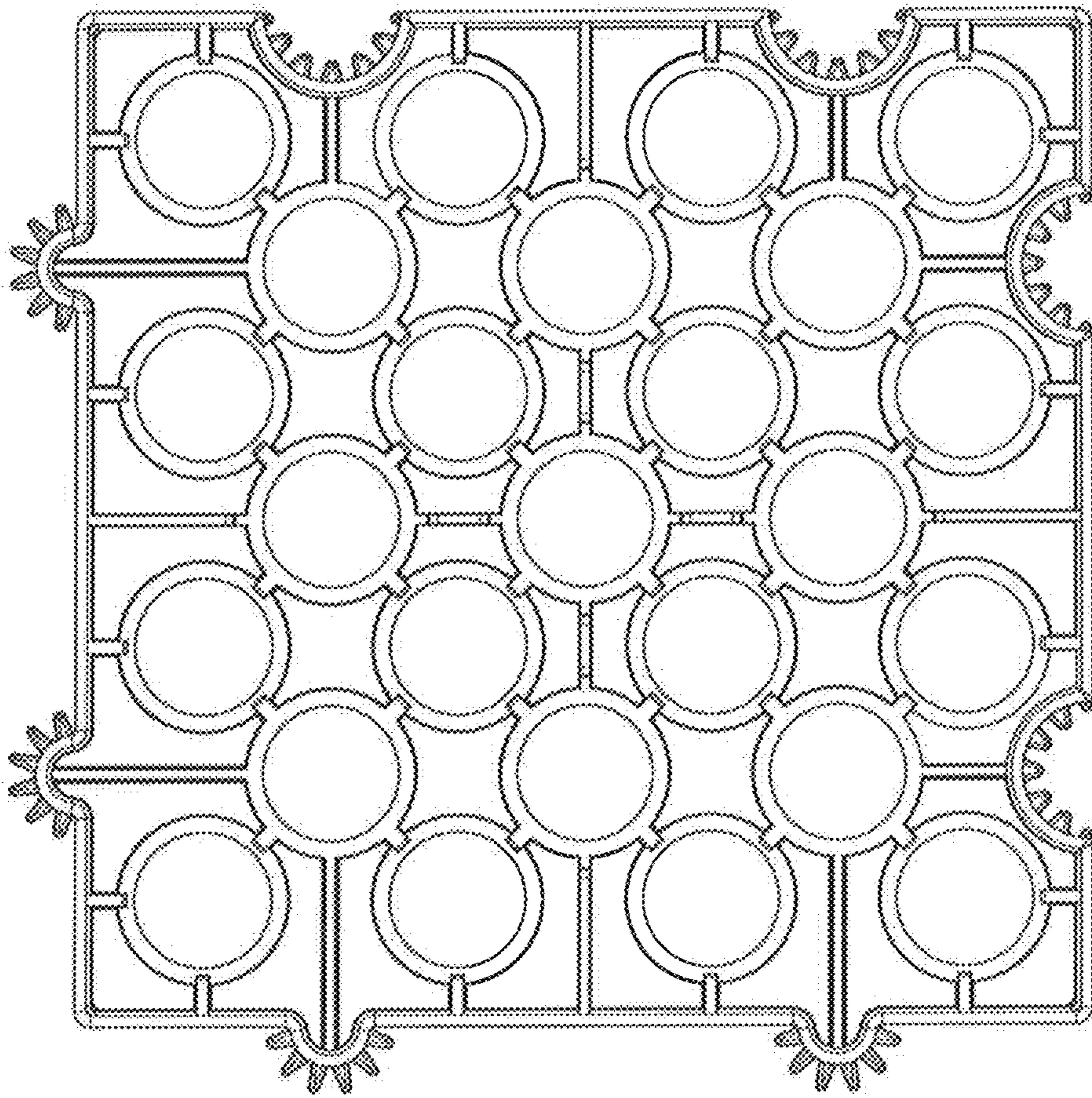


FIG. 6